

# SPECIAL APPLICATION DROP-INS

## ICE CHEST Non-Mechanical

Item No. \_\_\_\_\_

Quantity \_\_\_\_\_

**WB-15**

**WB-19**



**WB-15 SHOWN**



### DESCRIPTION:

The WB series ice chests make it possible to put large capacity ice storage directly in your serving line. The convenience of a removable hinged lid is included. Maximize your efficiency - put ice service where you need it most.

The ice chest is fully insulated and provided with a factory applied gasket so that it can be installed in the finest wood fixtures without marring the counter top. The unit is constructed of stainless steel and is provided with a 1" IPS drain.

### FEATURES:

- Fully insulated to hold ice longer
- Factory applied gasket - makes installation a snap and seals units to the counter top, thus eliminating seepage
- NSF certified

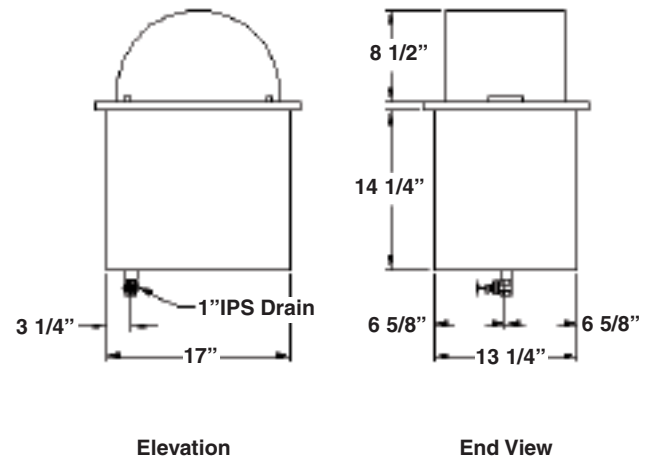
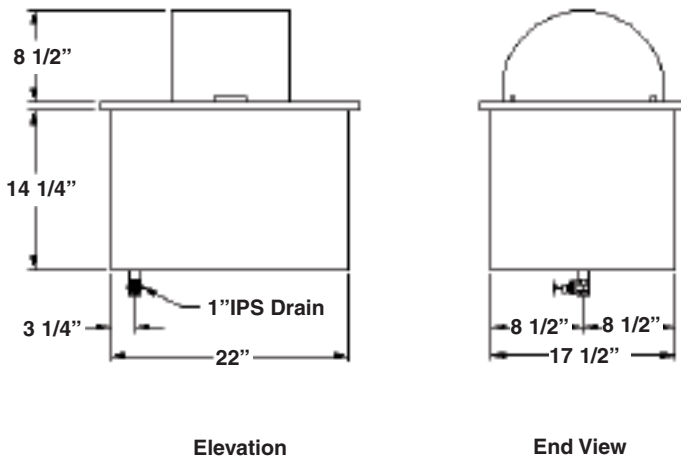
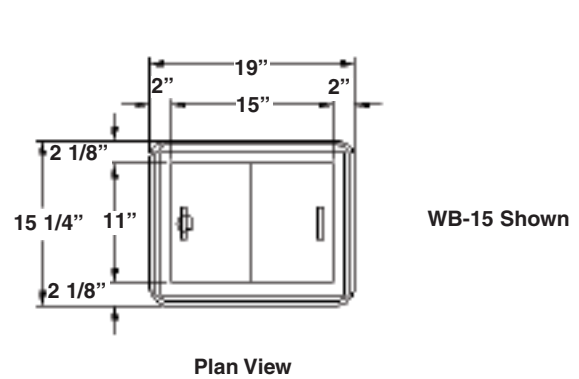
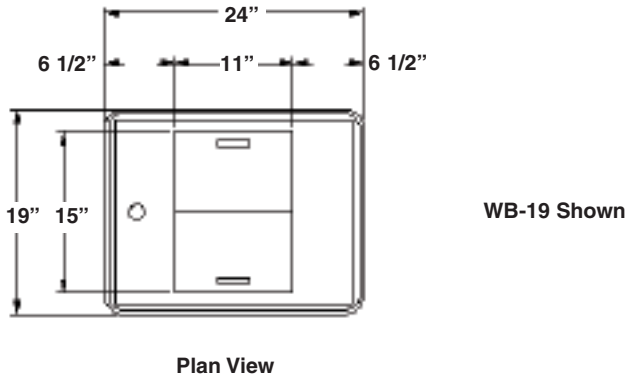


*a subsidiary of Mercury Aircraft*  
1135 NW 159 Dr., Miami, Florida 33169  
Tel: (305) 625-2451 or (800) 762-7565 • Fax: (305) 623-0475

# ICE CHEST

## Non-Mechanical

MODEL	CUT-OUT REQUIRED	ICE CAPACITY (lbs.)	SHIP WT. (lbs.)
WB-15	13-1/2" X 17-1/4"	40	34
WB-19	17-1/4" X 22-1/4"	60	55



### SPECIFICATIONS:

**TOP:** Constructed of 18 gauge, type 304 stainless steel, die stamped with a raised perimeter bead. There shall be a solid vinyl gasket under the beaded edge to form a seal to the counter top, thus preventing seepage or marring of the counter top.

**ICE CHEST:** The inner liner shall be 22 gauge, type 304 stainless steel. All corners are covered with a minimum 1/4" radius. A 1" dia. threaded drain fitting is provided.

**INSULATION:** The pan is fully insulated with high

density polystyrene, 1" thick on all sides, 1-1/2" thick on the bottom and enclosed with a 24 gauge galvanized steel outer liner. The entire unit is removable without the use of tools.

**LID:** The ice chest is provided with a double pan, insulated lid with a rubber, self-insulating hinge. The entire lid is removable.

*Specifications subject to change without notice.*



a subsidiary of Mercury Aircraft  
 1135 NW 159 Dr., Miami, Florida 33169  
 Tel: (305) 625-2451 or (800) 762-7565 • Fax: (305) 623-0475