

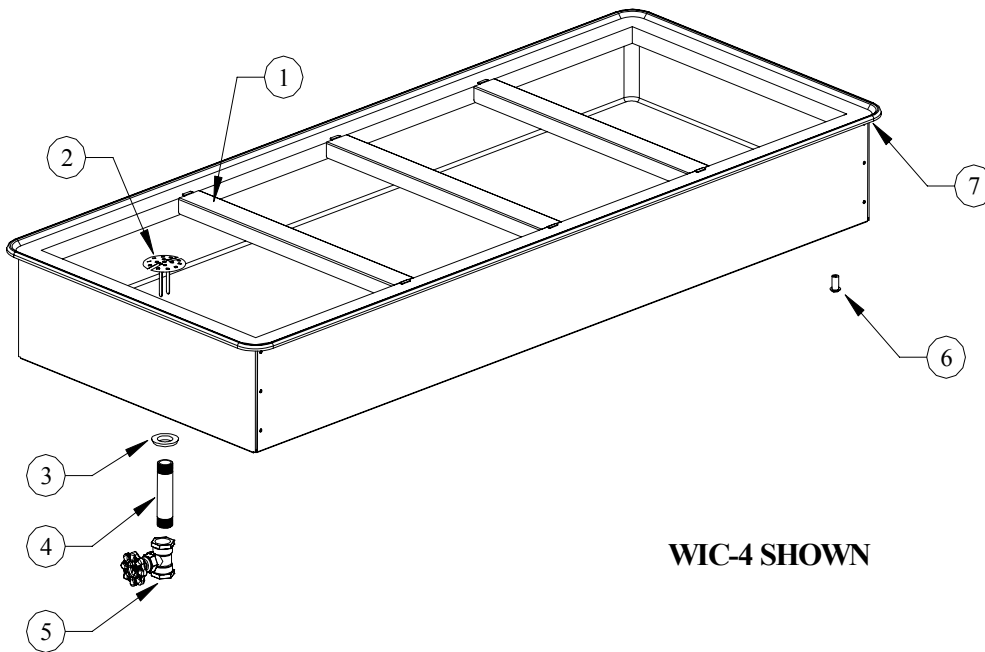
# Atlas Metal INDUSTRIES, INC.

Subsidiary of Mercury Aircraft, Inc.

1135 N.W. 159th DR., MIAMI, FL 33169

PHONE (305) 625-2451, (800) 762-7565, FAX (305) 623-0475, E-mail: [sales@atlasfoodserv.com](mailto:sales@atlasfoodserv.com)

## PARTS LIST FOR ICE COLD PANS WIC/ WICD / WICL/ AND WICDL SERIES



WIC-4 SHOWN

| ITEM NUMBER | PART NUMBER    | DESCRIPTION                     |
|-------------|----------------|---------------------------------|
| 1           | S80103-0       | Separator Channel (WIC, WICD)   |
| 1           | S85008-0       | Separator Channel (WICL, WICDL) |
| 2           | 86-3202        | Perforated Snap in Drain        |
| 3           | 49-1028        | Grommet                         |
| 4           | 30-3130        | 3/4 X 4 PVC Nipple              |
| 5           | 3016-2         | Stop Valve                      |
| 6           | 7020-0         | Nylon Spacer                    |
| 7           | 7002-0+Model # | Vinyl Bead Gasket               |

# ICE COLD PANS

## WIC/ WICD / WICL/ AND WICDL SERIES

---

### INSTALLATION

Provide the correct counter cut-out opening (see chart below) and drop in. The vinyl gasket assures complete seating. A non-toxic silicone seal may be used between the gasket and counter top (not required).

Note: Units are supplied with a nipple and stop valve to be connected for draining.

| MODEL NUMBER   | CUT-OUT OPENING |
|----------------|-----------------|
| WIC & WICD-1   | 22 1/4 X 14 1/4 |
| WIC & WICD-2   | 22 1/4 X 28     |
| WIC & WICD-3   | 22 1/4 X 41 3/4 |
| WIC & WICD-4   | 22 1/4 X 55 1/2 |
| WIC & WICD-5   | 22 1/4 X 69 1/4 |
| WIC & WICD-6   | 22 1/4 X 83     |
| WICL & WICDL-2 | 14 1/4 X 44 1/4 |
| WICL & WICDL-3 | 14 1/4 X 66     |
| WICL & WICDL-4 | 14 1/4 X 87 3/4 |

---

### OPERATION

The unit is ready to operate and should be level for draining purposes.

---

### MAINTENANCE

**NEVER** CLEAN PANS WITH A CHLORIDE BASED PRODUCT. CHLORIDES OR IMPROPER CLEANING COULD SCAR, MARK AND/OR CORRODE PANS. **DO NOT** USE STEEL WOOL OR ABRASIVE PRODUCTS. TO CLEAN USE SOAPY WARM WATER, RINSE THOROUGHLY TO REMOVE ALL RESIDUES. **FAILURE TO MEET THESE CONDITIONS WILL VOID WARRANTY.**