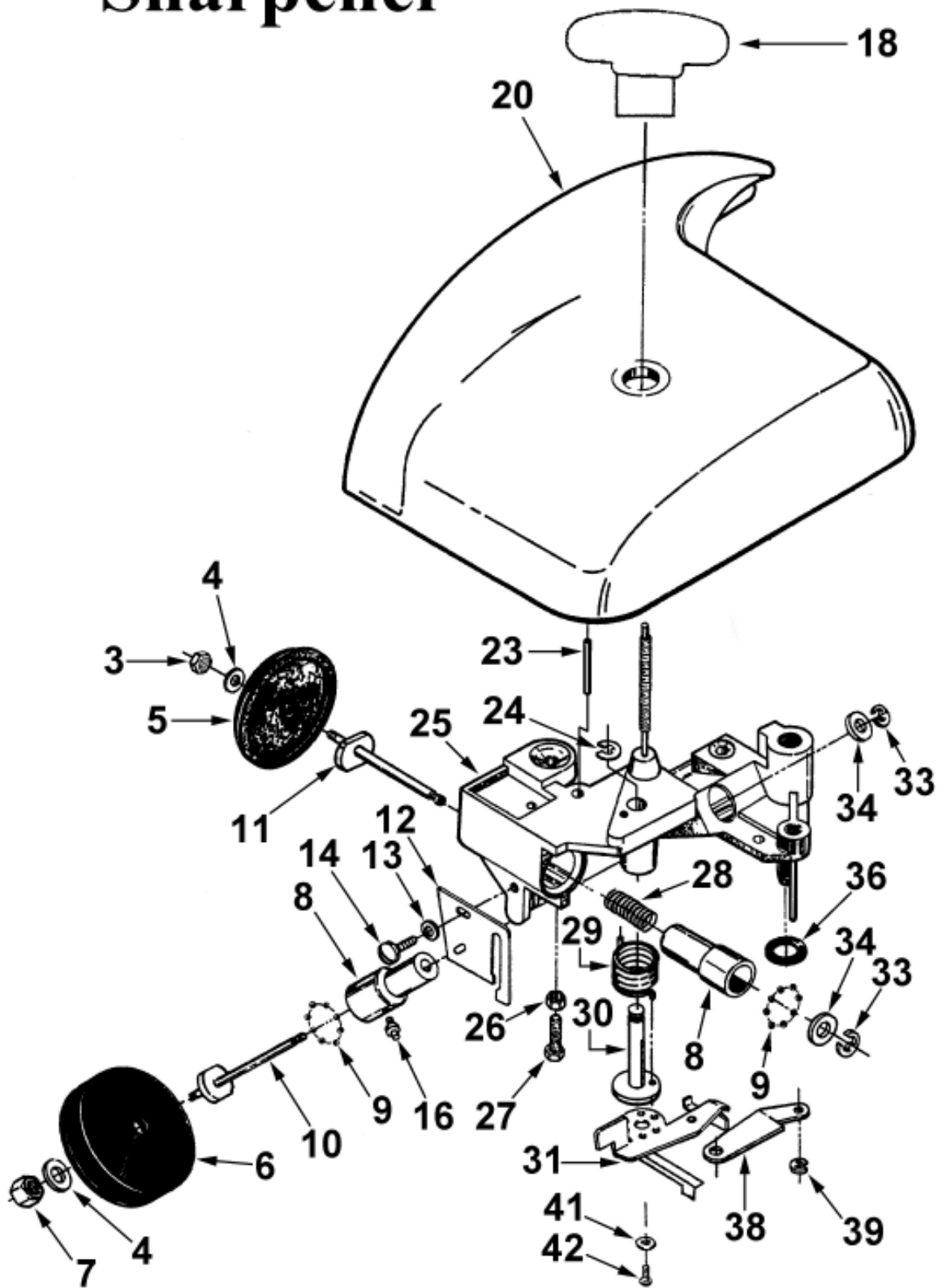


Models  
909FS and  
919FS

Parts  
Breakdowns

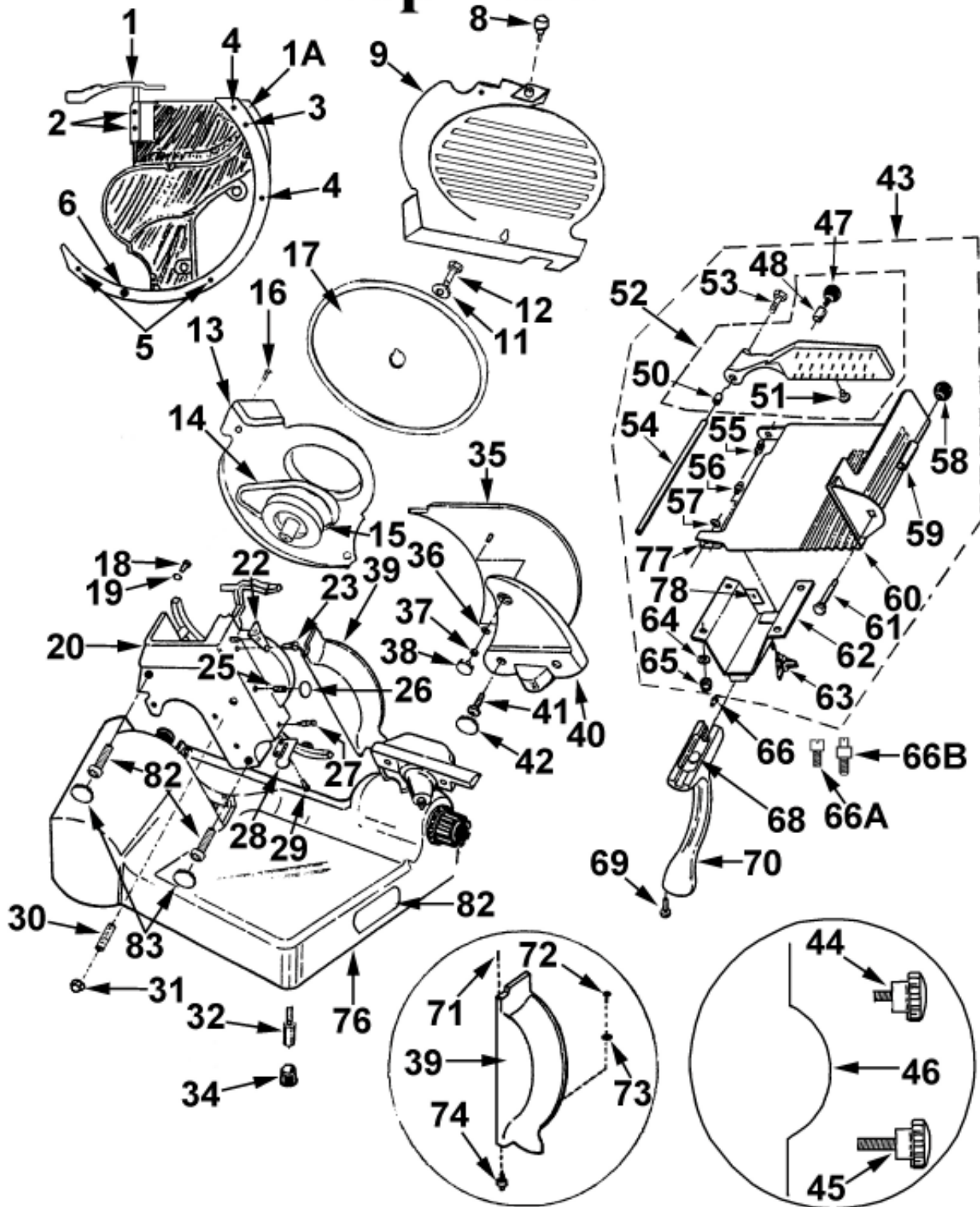
# Sharpener



# Sharpener

No.	Description	Part Number
N/S	sharpener assy. w/o cover	4675-00960
	sharpener assy. w/ cover	4675-00959
3	nut	2175-00387
4	washer	2275-03040
5	inside stone (deburring)	3675-00075
6	outside stone (sharpening)	3675-00076
7	nut (LH)	2175-00388
8	spindle bearing	3375-01123
9	ball	2375-00150
10	outside spindle (sharpening)	3375-01119
11	inside spindle ( deburring)	3375-01118
12	adjusting plate	3475-00789
13	washer	2275-03040
14	screw	2175-00384
16	link screw	3375-01121
18	knob	2275-00496
20	cover	4675-01084
23	groove pin	2275-00220
24	retaining ring	2275-00445
25	sharpener frame	3675-00236
26	nut	2175-00386
27	bolt	2175-00385
28	spring	3275-00210
29	spring	3275-00212
30	spindle	3375-01120
31	lever	4575-00900
33	retaining ring	2275-00444
34	washer	2275-00451
36	washer (rubber)	3275-00042
38	link	3475-00791
39	retaining ring	2275-00443
41	washer	2275-00441
42	screw	2175-00382
N/S	sharpener maint. kit	4975-00375

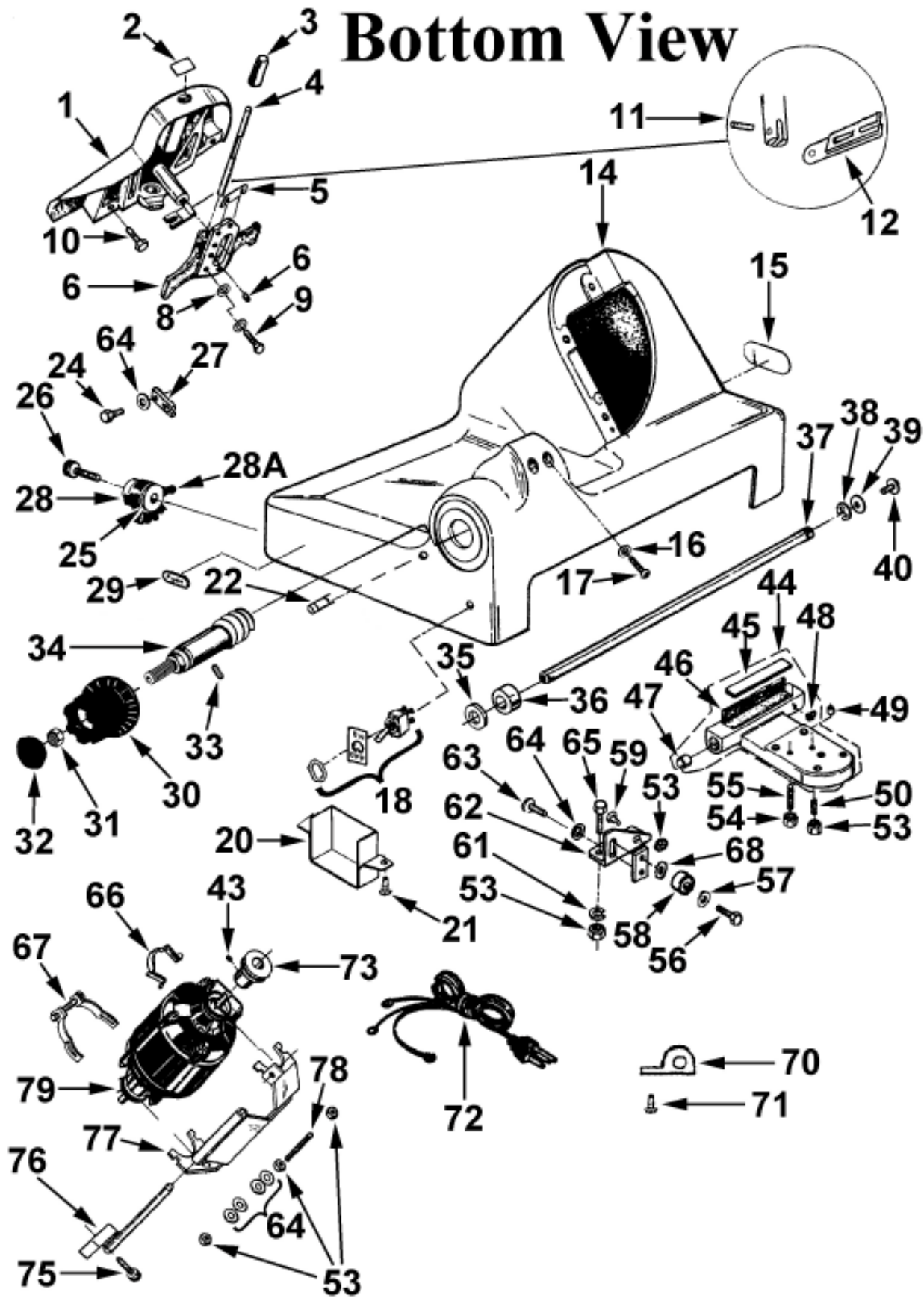
# Top View



# Top View

Item	Description	Part Number	Item	Description	Part Number
1	upper guard ("T" shaped)	3775-00442	41	screw 5/16 x 1	2175-01764
	upper guard (909 "L" shaped)	3775-00443	42	hole cover (small)	3675-00072
	screw, adjustment (not shown)	2175-03320	43	product table complete	4675-00915
1A	lower guard	3775-00441	44	knob, upper, 10-24 male	2275-00008
	lower guard, assy. (with 3 & 6)	4575-00831	45	knob, lower, 1/4 male	4375-00154
2	screw, tamper proof	2175-00374	46	slice deflector, black plastic	3875-00134
N/S	torx bit, for tamper proof screws	4975-09241	46	pusher	3775-00428
3	pin center plate	3375-01077	47	knob	2275-00043
4	pad upper, old style only	3875-00140	48	spacer	3375-00244
5	pad lower, old style only	3875-00139	N/S	handle, pusher 2lbs.	3375-01065
6	post center plate	3375-01073		set screw, 3/8-16 X 3/4	2175-07175
8	plunger center plate, assy.	2375-00139	50	bushing	2275-00045
9	center plate assy. (w/ 8)	4675-00968	51	pad, wear	3875-00123
10	knife bolt, 7/16-20 X 5/8	3375-01072	52	pusher assy. Complete	4675-00963
11	knife washer	3475-00781	53	truss head screw	2175-03452
13	knife box cover	3475-00765	54	shaft	3375-00242
14	knife belt (flat, 60 Hz)	2375-00141	55	compression spring	3275-00029
	knife belt (flat, 50 Hz)	3375-00142	56	lock pin (plastic, push on)	3875-00022
15	knife pulley bearing assy.	4375-00192		guide, pusher (metal screw)	3375-01149
16	screw knife box cover	2175-03452		screw for above	2175-03441
17	knife, SS	3675-00070		washer, for above	3275-00111
18	knife box bolts	2175-03063	57	s/s washer	2275-00438
19	knife box washers	2275-03065	58	knob	2275-00042
20	knife box assy.	4675-00961	59	spacer	3375-00243
21	pin upper hinge	2275-01122	60	product table	4575-00847
22	upper hinge	3475-00156	61	bolt 3/8 x 1/2	2175-03277
23	screw upper hinge	2175-03641	62	bracket, w/ storage pin	4675-00962
25	set screw	2175-07152	63	knob	2275-00063
26	cover plate	3475-00162	64	washer	2275-03050
27	pin	3375-00291	65	cap nut	2175-07052
28	lower hinge	3475-00363	66	plug (old style)	3375-00309
29	screw #10 x 3/8	2175-03441		setscrew (old style)	2175-05143
30	setscrew	2175-05154	66A	pin, table adjustment	3375-01182
31	acorn nut	2175-07052	66B	pin, table adjustment	3375-01147
32	shoe post 909	4575-00208	68	plug	3475-00080
	shoe post 919	4575-00117	69	screw socket HD	2175-01765
	4" shoe post 909	4575-00307	70	support arm	4675-01103
	4" shoe post 919	4575-00178	71	upper pin	2275-00065
	4" set of 4 posts 909	4975-00024	72	rivot	2275-00066
	4" set of 4 posts 919	4975-00025	73	washer	2275-03020
	lift kit shoe post	4575-00823	74	lower pin	3375-00311
34	shoe rubber	3675-00061	76	base	3775-00431
35	gauge plate	4575-00808	77	bracket pusher	3475-00132
N/S	gauge plate assembly	4675-00822	78	clip lock pin (old style)	2175-00435
36	washer 1/4	2275-03050	79	pin, pusher storage	2175-00435
37	nut 1/4	2175-05051	80	bracket knob	3475-00133
38	hole cover (large)	3675-00071	82	logo, Berkel	3175-00152
39	slice deflector, gray plastic	3875-00138	83	pusher storage pin	2175-00435
40	gauge plate support	3775-00435	84	nut	2175-05071
			85	screw	2175-07179

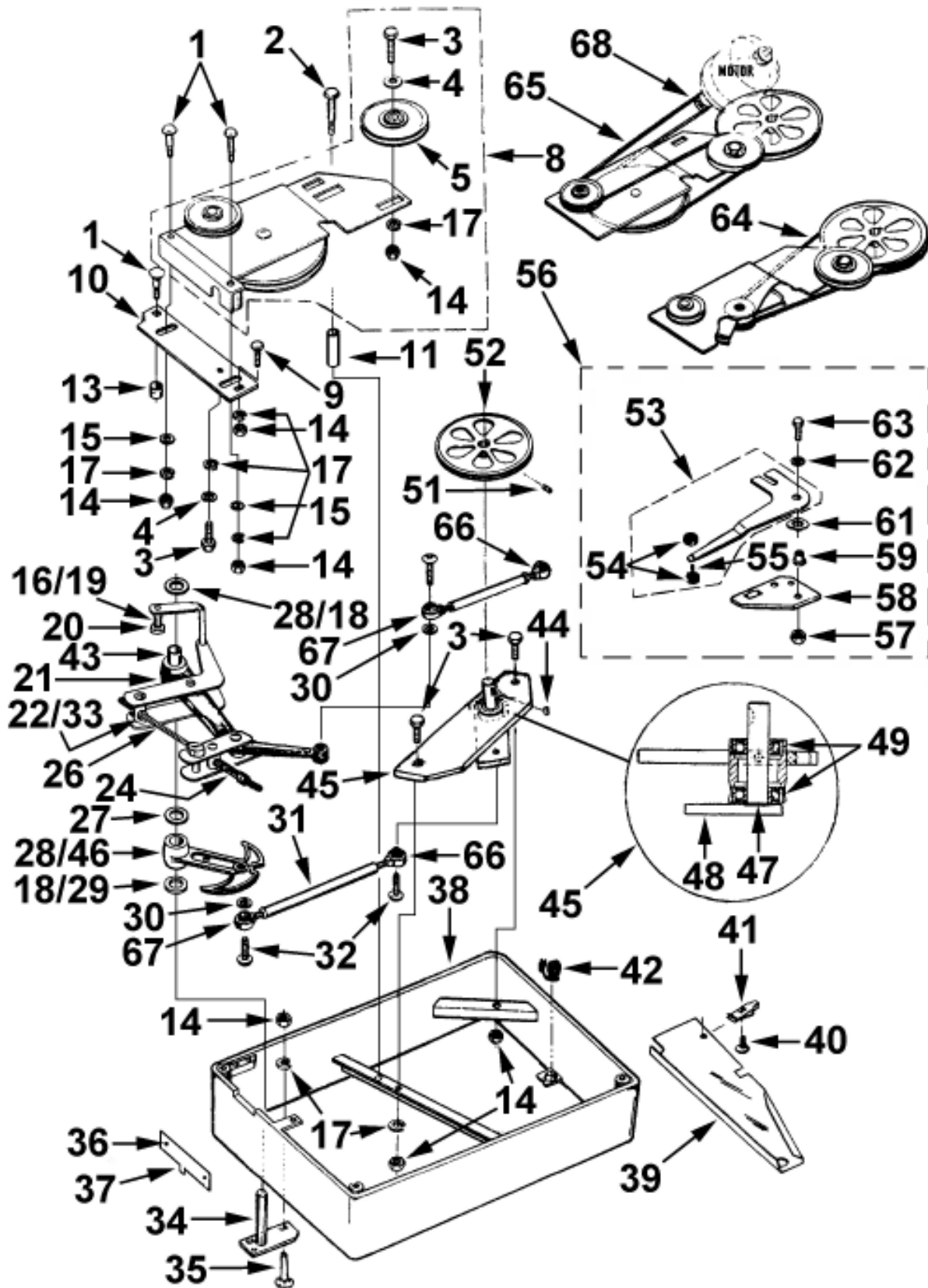
# Bottom View



# Bottom View

No.	Description	Part Number	No.	Description	Part Number
1	gauge plate support	4675-00821	39	washer	3275-00047
2	slide rod plate	3475-00162	40	screw #10 x 1/2	2175-03442
3	bushing	2275-00058	41	spring	3275-00061
4	slide rod	3375-00296	42	spring hook	3275-00060
5	shim	3275-00044	43	setscrew	2175-05152
6	base gauge plate	3775-00146	44	carriage assembly	4675-00473
7	set screw	2175-05155	45	carriage cover	3475-00169
8	lock washer	2275-03050	46	oil wick	3275-00035
9	screw 1/4 x 1-1/4	2175-01054	47	bushing 7/8	2275-00053
10	screw 1/4 x 1	2175-00097	48	oil hole cover	2475-00003
11	pin	2275-01131	49	plug	3375-00336
12	index link	4575-00101	50	setscrew	2175-00381
13	housing	3775-00365	51	rail, square	3375-00305
14	housing	3375-00431	52	flat HD screw 4/15 x 1-1/4	2175-01665
15	name plate	3175-00152	53	nut 5/16	2175-05060
16	washer	2275-03050	54	nut, locking #10	2175-00107
17	screw 1/4-20 x 1-1/4	2175-03858	55	setscrew FP #10 (adjustment)	2175-00106
18	toggle switch assy.	2675-00617	56	bolt	3375-00249
	switch guard	2675-00647	58	roller bearing assembly	4375-00031
	rivit, drive 1/8 X 1/8	09175-30	58	old style roller (looks like wheel)	4375-00031
20	switch box cover	3875-00137	59	bolt 5/16 x 1-1/4	2175-01065
21	switch box cover screw	2175-00375	61	lockwasher	2275-03065
22	pilot light	2675-00669	62	bracket	3375-00304
23	lock washer 5/16	2275-01055	63	screw 5/16 x 1/2	2175-01862
24	bolt 5/16 x 1/2	2175-01060	64	flat washer 5/16	2275-01061
25	bushing	3375-01070	65	bolt 5/16 x 7/8	2175-03063
26	screw 3/8 x 1-1/4	2175-01775	66	motor clip	3275-00039
27	clamp, index link	3375-00298	67	motor clamp	2275-00087
28	gear segment assy.	4375-00196	68	washer	3375-00131
	gear segment, 25 & 28	4975-09280	69	roller adjusting bracket	3375-00306
28A	gear segment pin	3375-01102	70	cord clamp	3675-00224
29	name plate	3175-00152	71	screw (#8 X 1/2)	2175-00105
30	index knob	3875-00151	72	power cord NEMA-5-15P	4175-00479
	index knob kit, 30 & 32	4975-09506	73	motor pulley, 60Hz	3375-01099
31	nut 1/2"	2175-00121		motor pulley, 50Hz	3375-01100
32	plug 1-1/4	2275-00414	N/S	fan	2375-00137
33	setscrew	2175-05163	N/S	cover for fan	3875-00146
34	worm gear assembly	4675-00336	75	bolt	2175-01760
35	rubber washer	3275-00045	76	pivot assembly motor	4575-00097
36	rubber bumper	3275-00046	77	motor mount	4575-00805
37	round rail	3375-00091	78	thread rod	2175-00378
38	snap ring	2275-00092	79	1/2 hp motor (only)115V	4175-00588

# Power Stroke

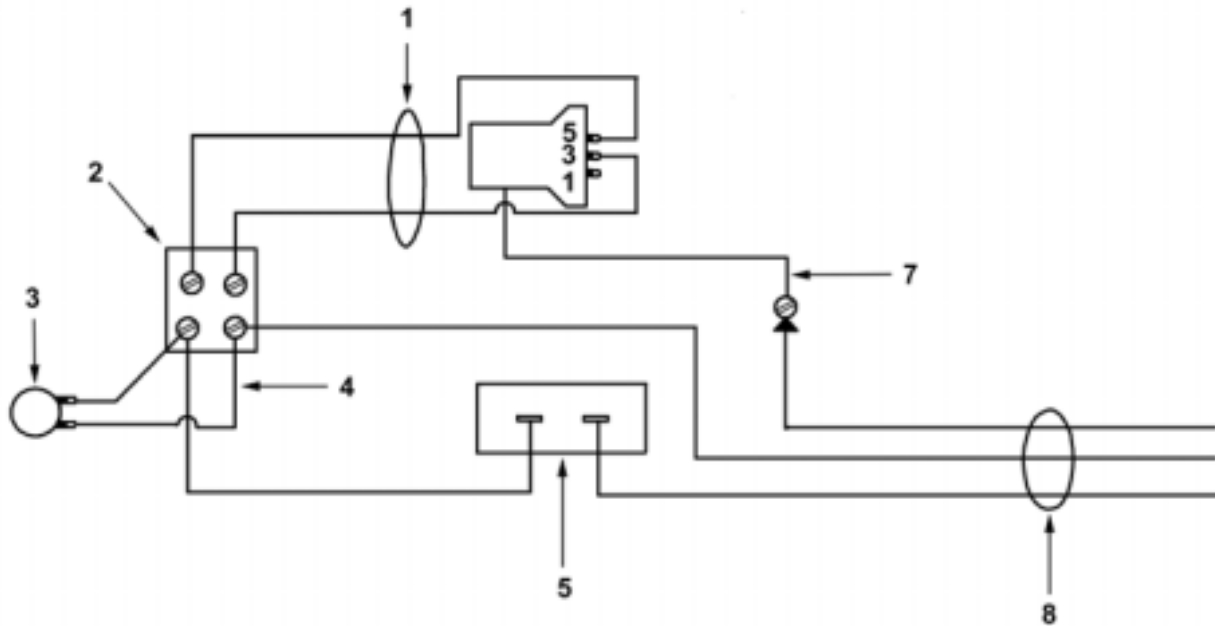




# Power Stroke

No.	Description	Part Number	No.	Description	Part Number
1	bolt 5/16 x 2	2175-01267	N/S	cover for fan if so equipped	3875-00146
2	bolt 5/16 x 3-1/2	2175-01270	40	screw	2175-03442
3	bolt 5/16 x 1-1/2	2175-01065	41	speed nut	2275-00123
4	washer	2275-01061	42	strain relief	2675-00562
5	idler pulley	4375-00137	43	bushing	2275-00021
8	pulley & pulley assembly	4675-00811	44	key	3275-00006
9	bolt 5/16 x 3/4	2175-03062	45	crank assy. (complete)	4375-00191
10	bracket	3475-00324	46	bushing (arm)	2275-00022
11	spacer	3375-01088	47	washer	3275-00010
13	spacer	3375-00223	48	crank assembly	4375-00189
14	nut 5/16	2175-05060	49	ball bearing	2375-00010
15	washer 5/16 flat	2275-01060	50	rod & brg. Assy. (short)	4675-00840
16	roller	3275-00024	51	set screw 1/4 x 5/16	2175-05152
17	lockwasher 5/16	2275-03065	52	pulley	3775-00373
18	washer 1/2" hole	3275-00018	53	shift lever assy. (complete)	4575-00865
19	bushing	3275-00023	54	knob (sold each, need 2)	3875-00026
20	rivet	2275-00029	55	pin	2275-00051
21	drive arm assembly	4375-00188	56	shift lever & bracket assy.	4675-00925
22	nut #10	2175-05040	57	nut 1/4"	2175-00265
24	spring	3275-00084	58	bracket	3575-00063
26	control rod	3375-00227	59	spacer	3375-01151
27	washer, plastic, 7/8" hole	3275-00032	61	spring washer 7/16"	3275-00025
28	arm, w/ 46	4375-00193	62	washer	2275-00408
29	shim, plastic 1/2" hole	3275-00128	63	bolt 1/4"	2175-00210
30	washer	2275-00028	64	belt poly V4	2375-00138
31	rod & brg assy. (long)	4375-00197	65	belt, round	2375-00133
32	screw 5/16 x 7/8"	2175-01863	66	bearing assy. L/H	2375-00144
33	shim	09664-60	67	bearing assy. R/H	2375-00143
34	plate & shaft	4575-00075	68	motor pulley auto drive, FS	3375-01222
35	bolt 5/16 x 1-1/4	2175-01264	<b>parts for shift lever with detent system</b>		
36	drive screw	2175-00424	53	shift lever assy. (complete)	4575-00314
37	shift plate assy	4575-00866	N/S	detent plate	3475-00782
	stroke plate, part of 37	3175-00571		plunger assembly	2375-00030
	shift plate, part of 37	3475-00835		nut	2175-05071
38	auto base	3775-00366	37	indicator plate	3175-00571
39	shield	3475-00783	N/S	spacer, long (for control rod)	3375-00438
				spacer, short (for control rod)	3375-00439

# Electrical Assembly



No.	Description	Part Number
1	cord, switch to motor	4175-00032
2	switch	2675-00617
3	pilot light	2675-00669
5	circuit breaker, 12 Amp.	2675-00817
6	wire, relay socket to circuit breaker	2675-00709
7	motor ground wire	2675-00666
8	power cord	4175-00479