



HV-100G HYDROVECTION OVEN REPLACEMENT PARTS LIST



EFFECTIVE JANUARY 10, 2012

Superseding All Previous Parts Lists.

The Company reserves the right to make substitution in the event that items specified are not available.

ERRORS: Descriptive and/or typographic errors are subject to correction.

BLODGETT OVEN COMPANY

44 Lakeside Avenue, Burlington, Vermont 05401 USA Telephone: (802) 658-6600 Fax: (802) 860-3732
www.blodgett.com

P/N 54812 Rev B

SERIAL NUMBER LOCATION / KEY:

IMPORTANT: When ordering parts, please provide the model, gas type and serial number of the oven. The identification plate is located on the back of the oven.

SERIAL NUMBER IDENTIFICATION CODE:

KJ = HV-100G HYDROVECTION OVEN

SERIAL NUMBER EXAMPLES

080111KJ001

08/01/11 = DATE

KJ = LETTER CODE FOR HV-100G

001 = FACTORY SEQUENCE

TO OBTAIN LITERATURE:

Email: literature@blodgett.com

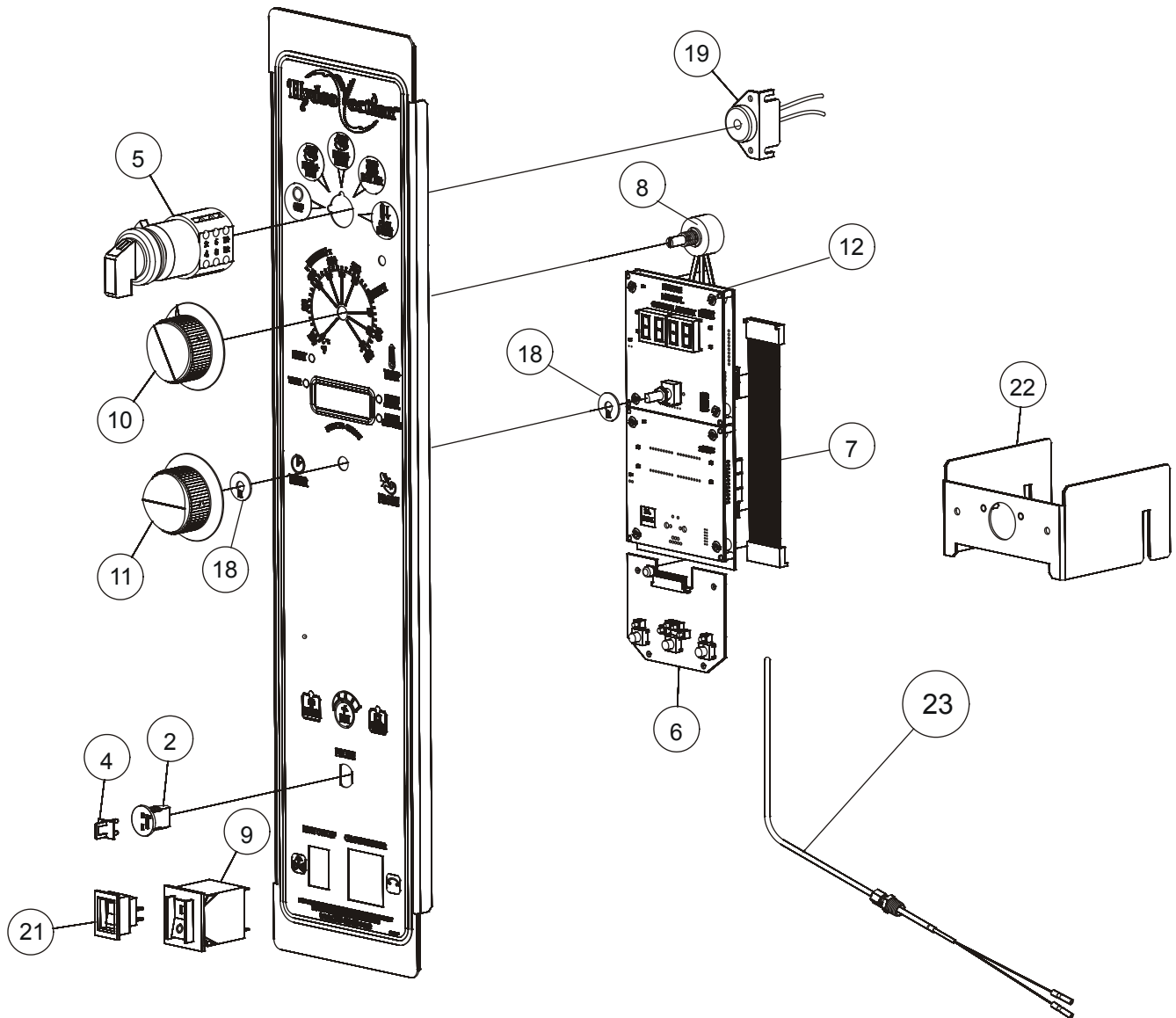
or visit

www.blodgett.com

TABLE OF CONTENTS

MANUAL CONTROLS	4
MENUSELECT CONTROLS	5
TOUCHSCREEN CONTROLS	6
DOORS	7
INTERIOR COMPONENTS	8
VENT COMPONENTS.....	9
MOTOR	10
EXTERIOR COMPONENTS	11
ELECTRIC & GAS COMPONENTS.....	12
ACCESSORIES	14

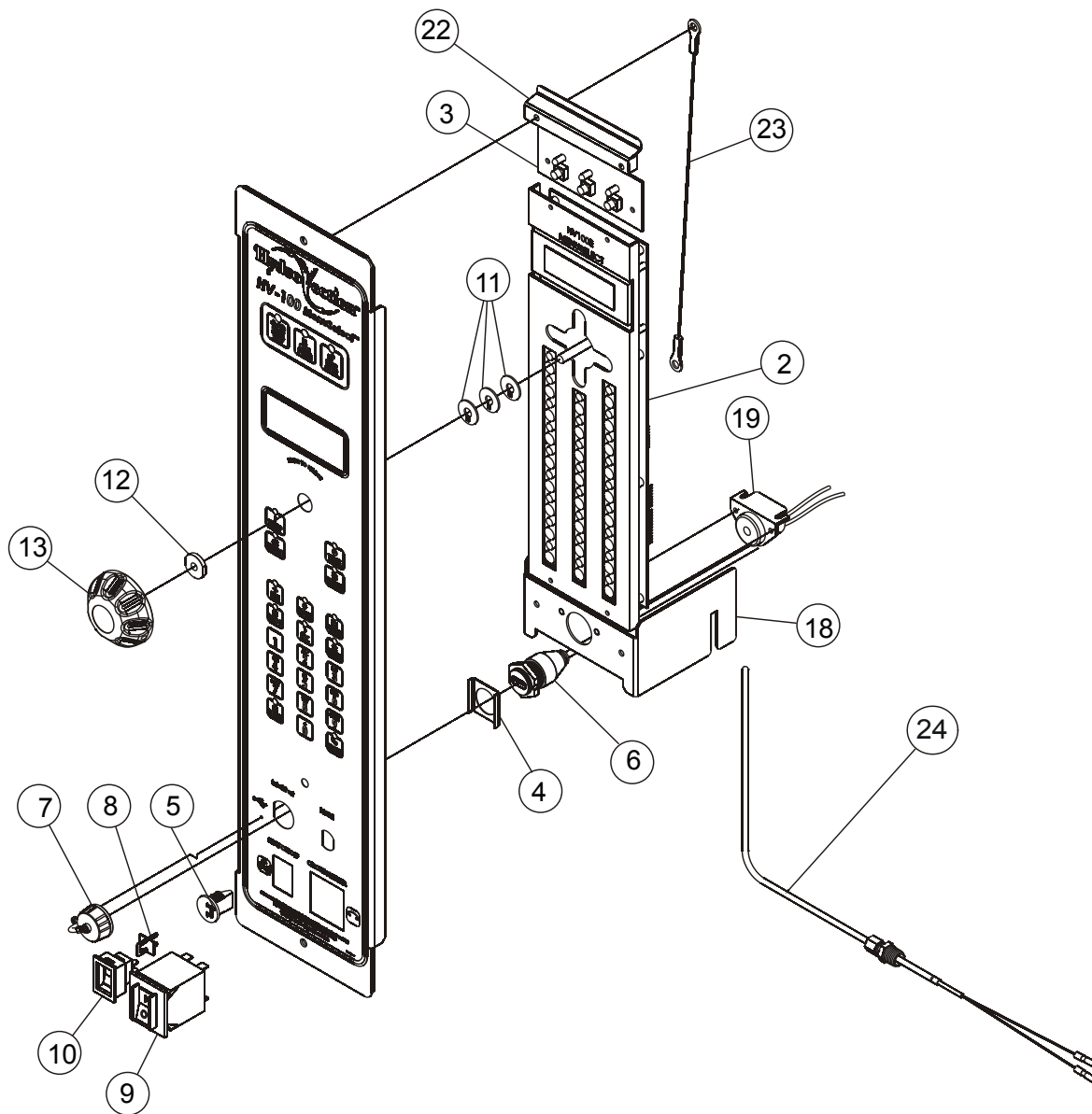
MANUAL CONTROLS



Ref. No.	Part No.	Description
2	39781	MEAT PROBE JACK
4	39782	MEAT PROBE JACK PLUG
5	52466	ROTARY SWITCH, 5-POSITION
6	53157	BOARD, 3 BUTTON HYDRO MANUAL
7	53344	HARNESS, MANUAL CONTROL CONNECTOR
8	18234	POTENTIOMETER
9	39688	CIRCUIT BREAKER, 20A
10	36616	KNOB, W/ARROW
11	36617	KNOB, W/O ARROW
12	54932	PROGRAMMED, HV100 MANUAL, G.M.

Ref. No.	Part No.	Description
18	54340	SPACER, ENCODER SUPPORT (SET OF 2)
19	53759	BUZZER, REMOTE
21	36376	SWITCH, GAS, ON/OFF
22	54942	BRACKET, HANGING CONTROL
23	53007	CAVITY PROBE COMMUNICATION CABLE
	52806	DEFLECTOR, CONTROL PANEL DRIP CABLE, STRAIN RELIEF
	20043	

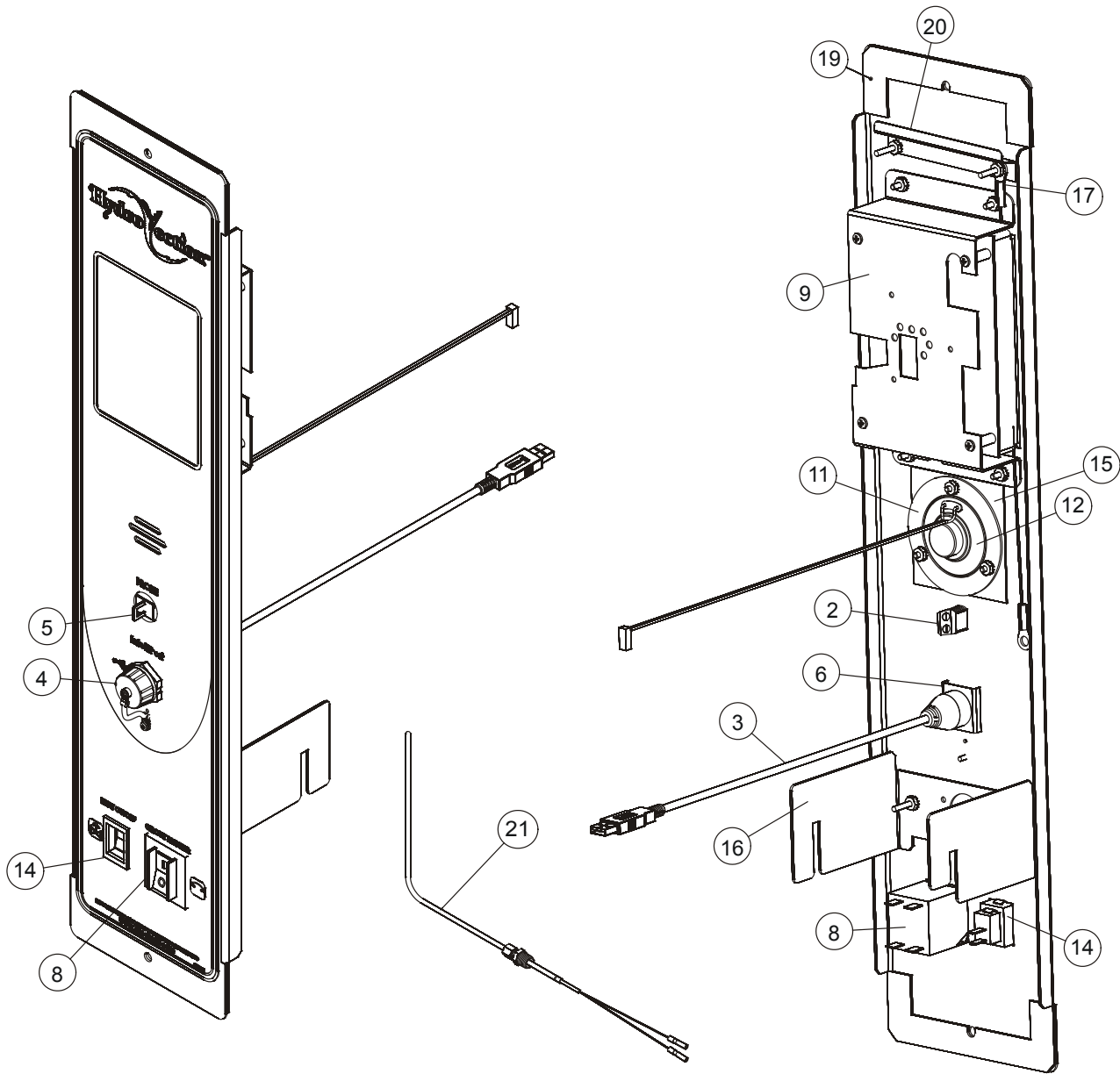
MENUSELECT CONTROLS



Ref. No.	Part No.	Description
2	54937	PROGRAMMED CONTROL, HV100 MENUSELECT
3	39122	BOARD, 3 BUTTON PCB
4	52600	SPACER, USB PORT
5	39781	MEAT PROBE JACK
6	52647	USB CABLE, 1 METER
7	52161	COVER, USB
8	39782	MEAT PROBE JACK PLUG
9	39688	CIRCUIT BREAKER, 20A
10	36376	SWITCH, GAS, ON/OFF

Ref. No.	Part No.	Description
11	54340	SPACER, ENCODER SUPPORT
12	54341	SLEEVE, ENCODER SUPPORT
13	51372	KNOB
18	54631	BRACKET, HANGING CONTROL
19	53759	BUZZER, REMOTE
	52806	DEFLECTOR, CONTROL PANEL DRIP
23	20043	CABLE, STRAIN RELIEF
24	53007	CAVITY PROBE
	54073	COMMUNICATIONS CABLE
	52926	FLASHDRIVE, USB

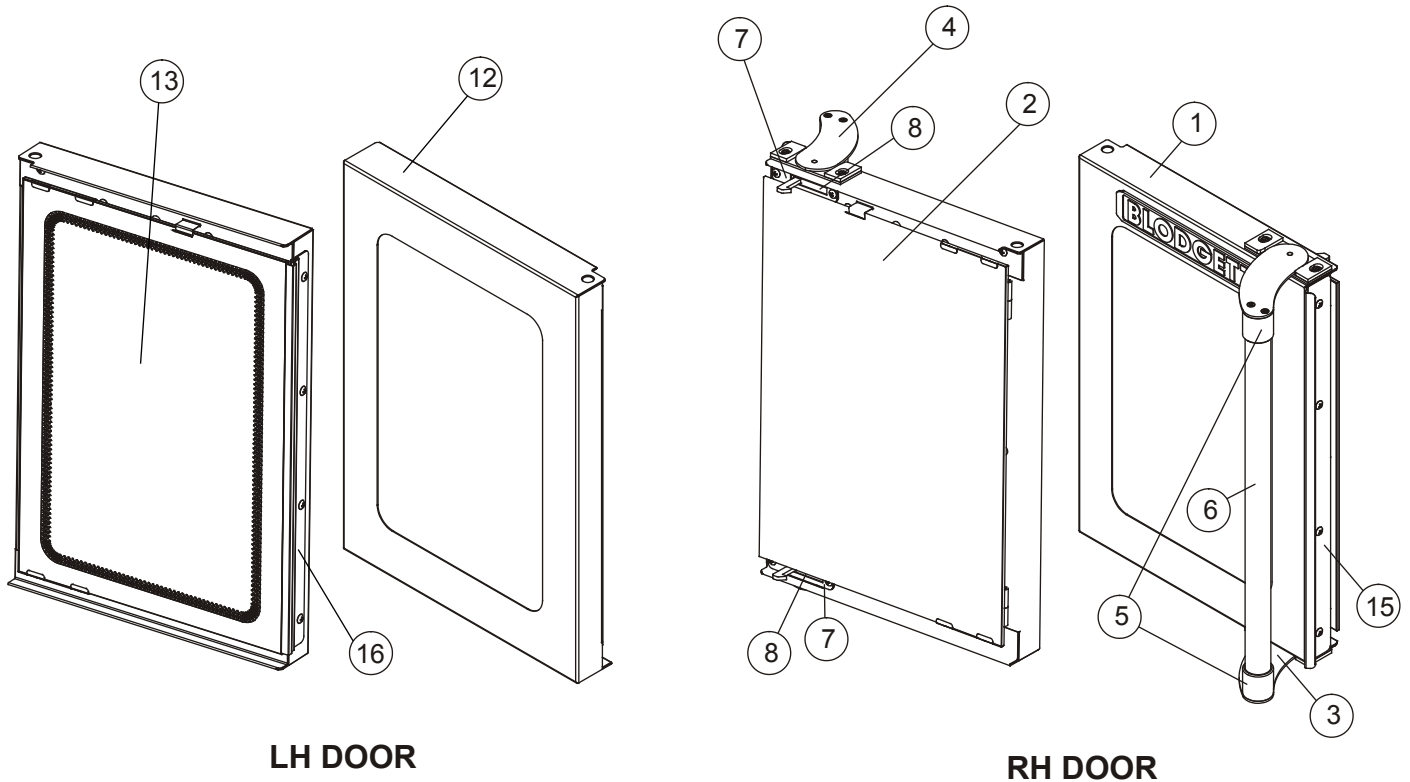
TOUCHSCREEN CONTROL



Ref. No.	Part No.	Description
2	39781	MEAT PROBE JACK
3	52160	USB CABLE
4	52161	COVER, USB
5	39782	MEAT PROBE JACK PLUG
6	52600	SPACER, USB PORT
8	39688	CIRCUIT BREAKER, 20A
9	53984	ASSEMBLY, TOUCH SCREEN

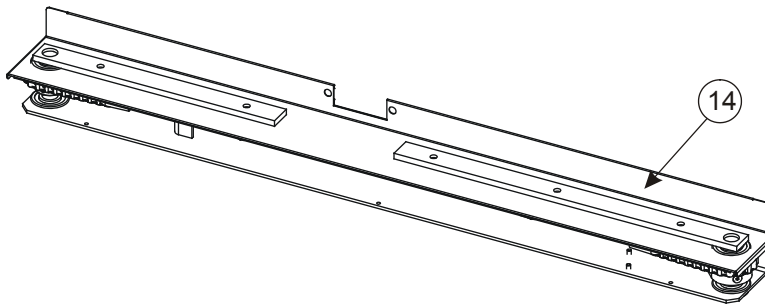
Ref. No.	Part No.	Description
11	53220	SPEAKER RETAINER
12	53219	SPEAKER
14	36376	SWITCH, GAS, ON/OFF
15	54440	SPEAKER COVER
16	54631	BRACKET, HANGING CONTROL
17	20043	CABLE, STRAIN RELIEF
20	52806	DEFLECTOR, CONTROL PANEL DRIP
21	53007	CAVITY PROBE
	54330	COMMUNICATIONS CABLE

DOORS



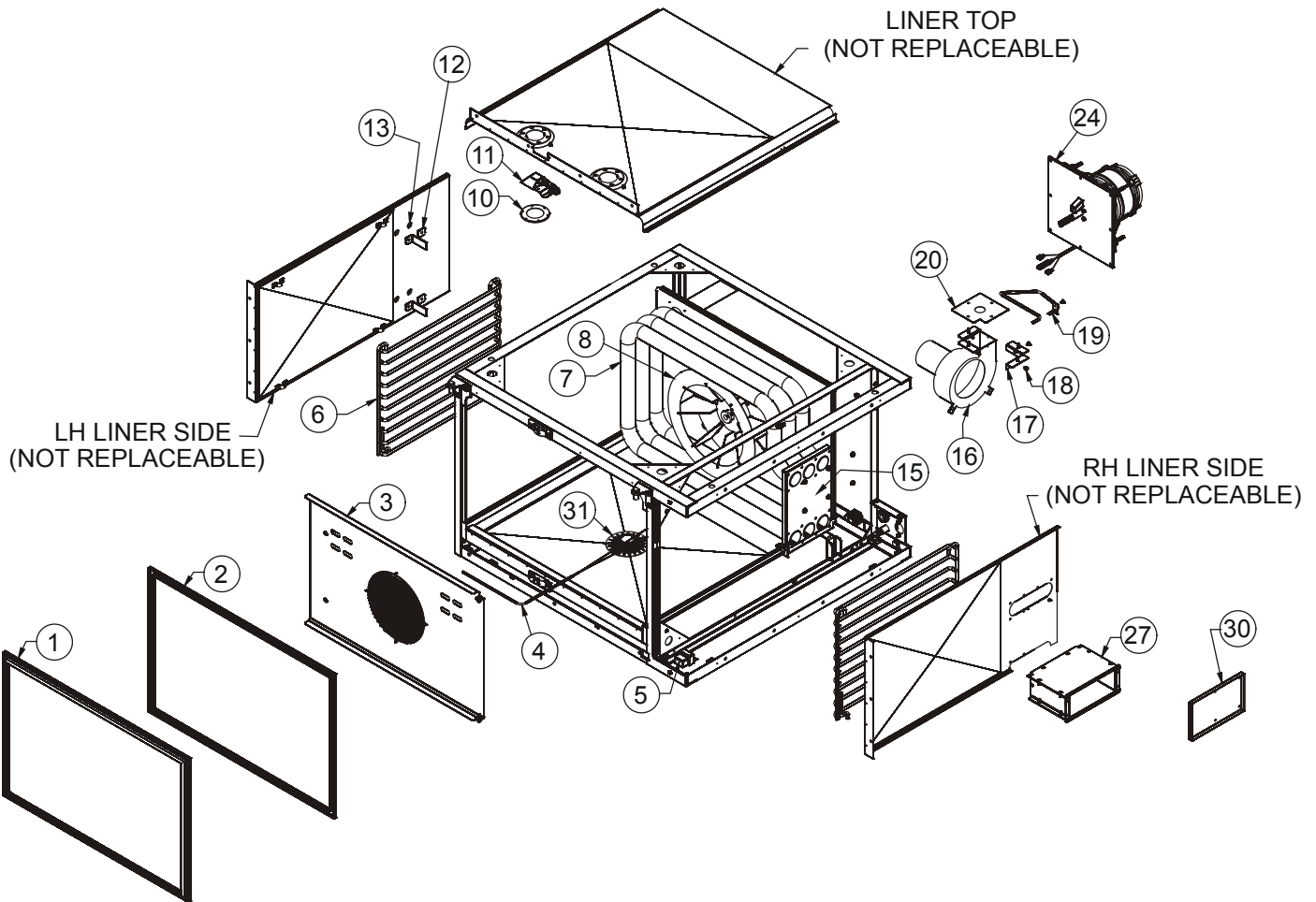
LH DOOR

RH DOOR



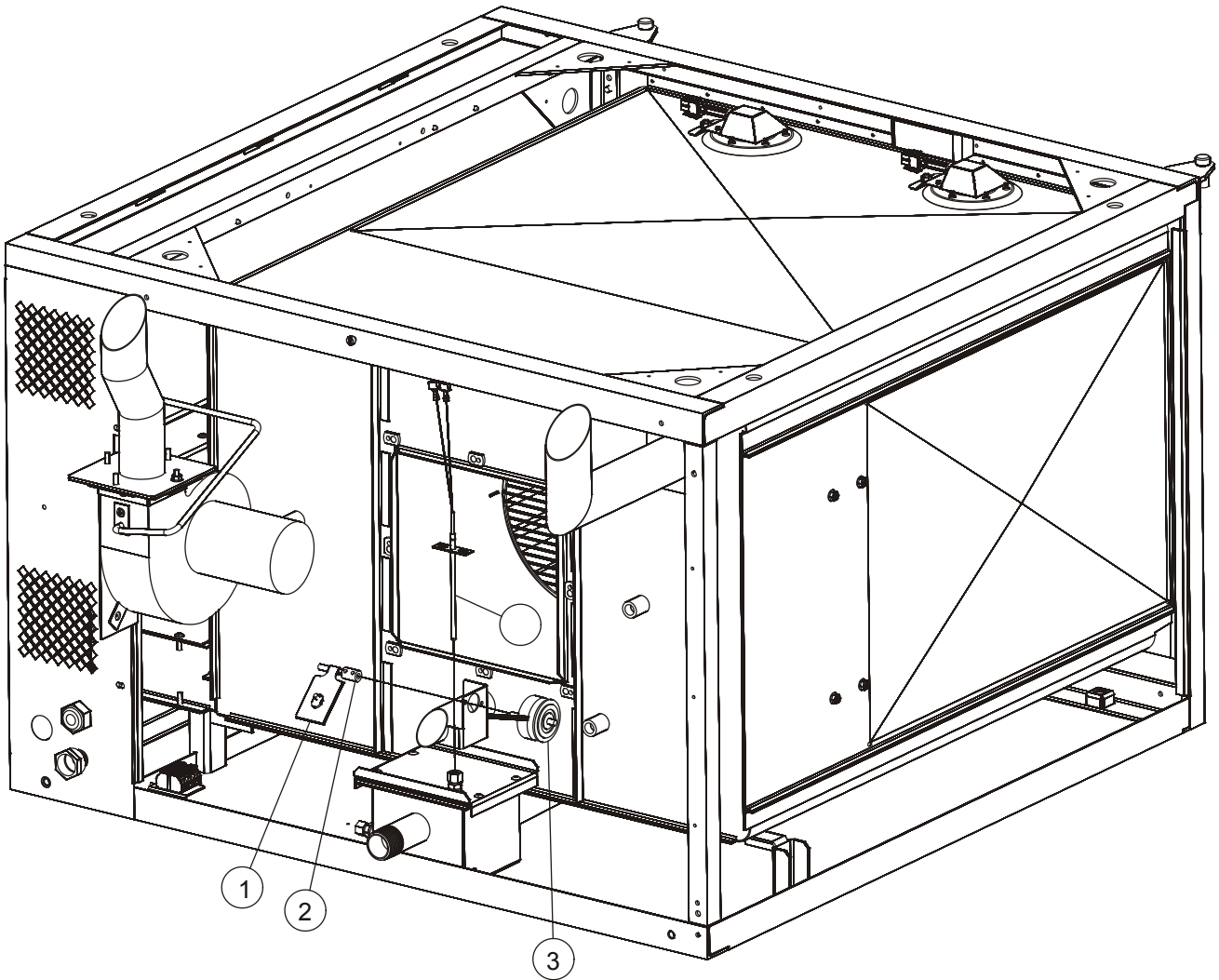
Ref. No.	Part No.	Description
1	51552	ASSEMBLY, LH OUTER DOOR
2	51534	ASSEMBLY, LH INNER DOOR GLASS
3	50227	ASSY, LATCH RH
4	50228	ASSY, LATCH LH
5	50213	END CAP, HANDLE
6	51542	ASSEMBLY, DOOR HANDLE
7	51539	PLATE, LATCH COVER (QTY 2)
8	51668	GASKET, DOOR LATCH (QTY 2)
12	51559	ASSEMBLY, RH OUTER DOOR
13	51556	ASSEMBLY, RH INNER DOOR GLASS
14	51603	DOOR TURNBUCKLE ASSEMBLY
	52514	DOOR SWITCH ASSEMBLY
15	51451	LH DOOR CENTER CHANNEL
16	51610	RH DOOR CENTER GASKET
	51631	RUBBER BUMPER

INTERIOR COMPONENTS



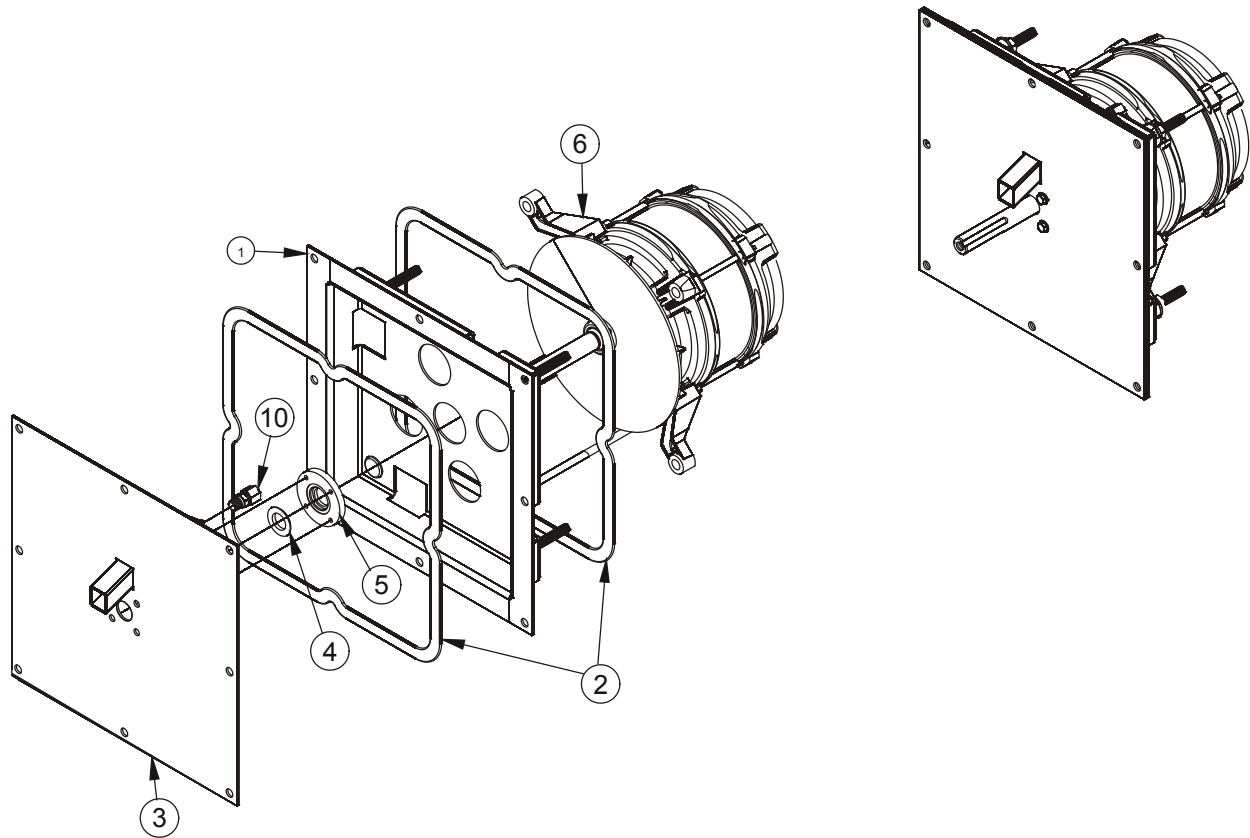
Ref. No.	Part No.	Description	Ref. No.	Part No.	Description
1	52716	PERIMETER GASKET	12	54151	BAFFLE, STOP BRACKET (HV100G)
2	54770	ASSY, GASKET CHANNEL	13	R9648	WASHER, 1/4 X 5/8 GORTEX
3	54860	BAFFLE	15	54634	GASKET, HEAT EXCHANGER
4	53007	CAVITY TEMPERATURE PROBE AND FITTING KIT	16	54776	BLOWER ASSY, DRAFT INDUCER
5	36441	HIGH LIMIT THERMOSTAT	17	54405	DRAFT INDUCER ADAPTER
6	51623	SIDE RACK SUPPORT (LEFT AND RIGHT)	19	54447	TUBE, PRESSURE SWITCH
7	54791	HEAT EXCHANGER ASSY, HV100G	20	54406	RESTRICTOR PLATE, HV100G-NATGAS
8	54300	ASSEMBLY, BLOWER WHEEL AND HUB	24	54293	MOTOR ASSEMBLY
10	53081	LIGHT GLASS ASSEMBLY, CIRCULAR	27	54164	BURNER BOX ASSEMBLY (HV100G)
11	53194	LAMP HOUSING ASSEMBLY	30	54404	DRAFT INDUCER BOX COVER
			32	50506	DRAIN STRAINER

VENT COMPONENTS



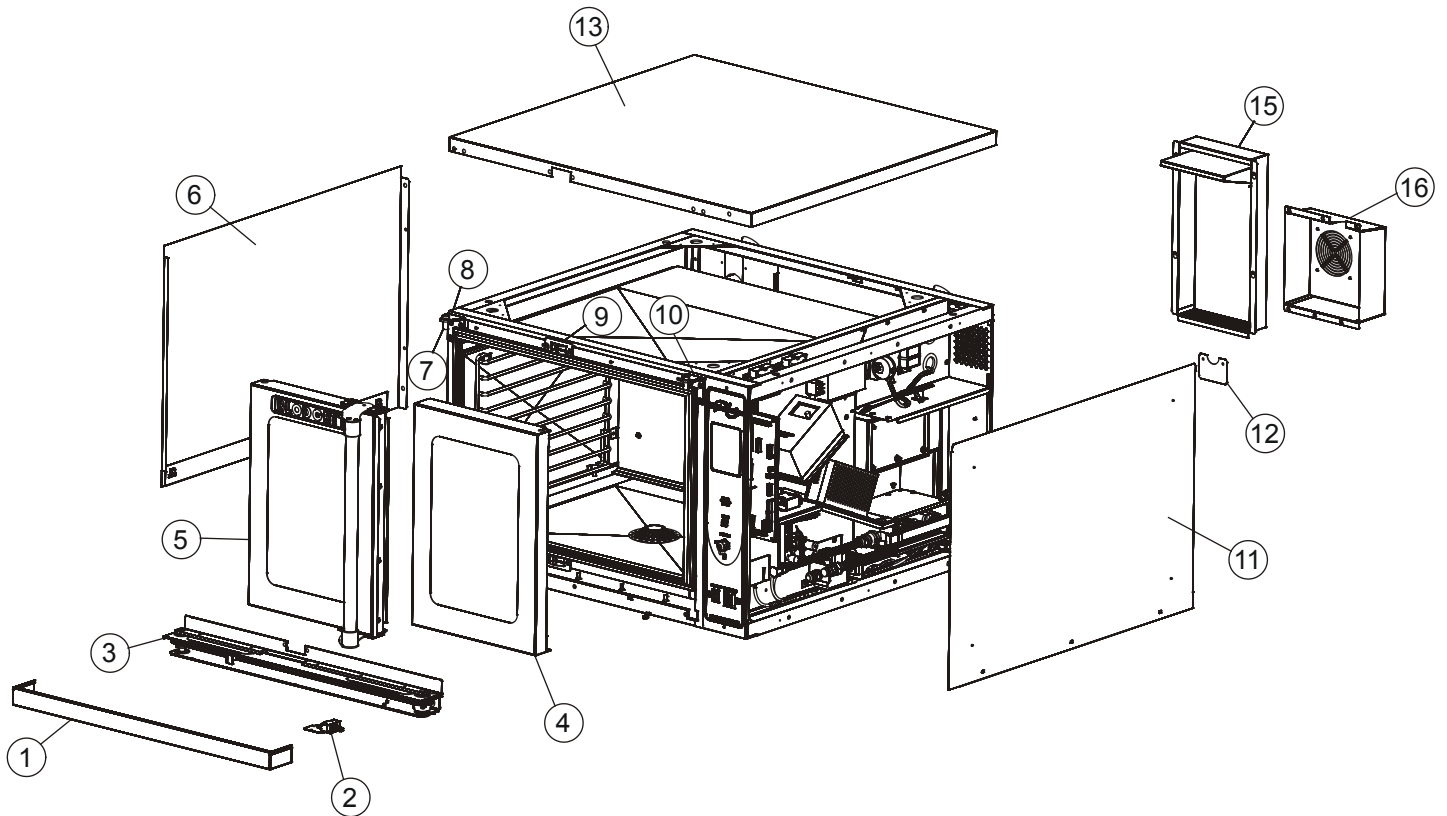
Ref. No.	Part No.	Description
1	50204	VENT LID ASSEMBLY, BEFORE 9/19/2011
2	39329	SHAFT COUPLING, BEFORE 9/19/2011
	55024	VENT LID W/COUPLING, AFTER 9/19/2011
3	53008	CAVITY VENT SOLENOID
4	36720	QUENCH PROBE

MOTOR



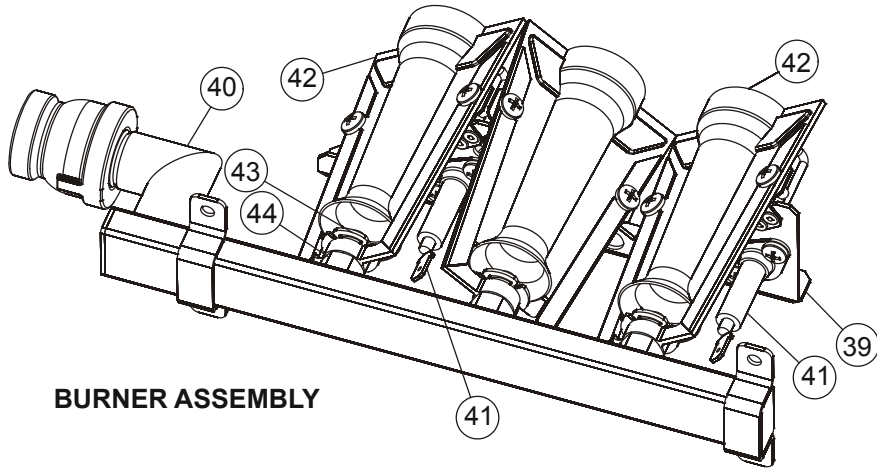
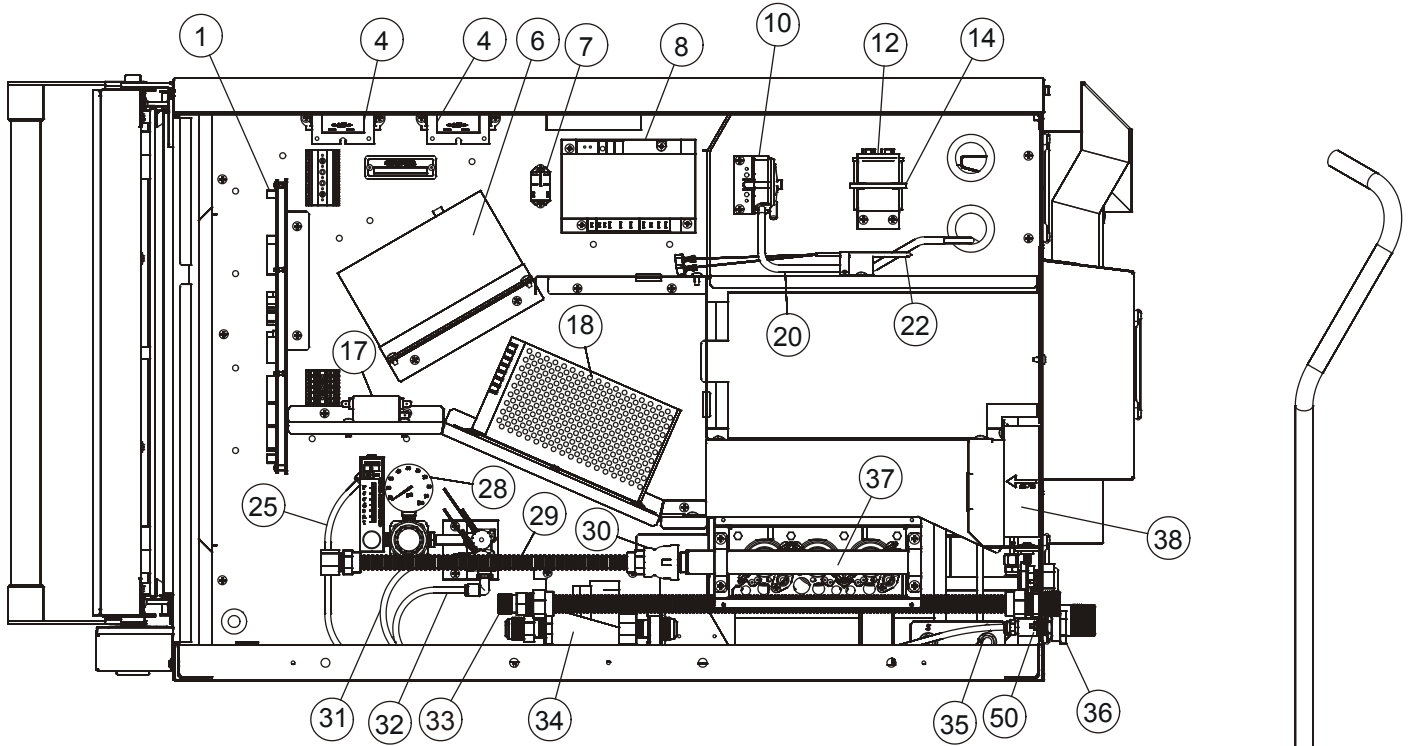
Ref. No.	Part No.	Description
1	54294	MOTOR MOUNT ASSEMBLY
2	R8423	GORETEX GASKET, (BY THE FOOT)
3	54296	ASSY, COVER PLATE, WATER INJECTION MANIFOLD
4	R4244	SHAFT SEAL
5	R8955	SEAL RETAINER
6	39332	MOTOR
10	M0959	FITTING, COMPRESSION, STRAIGHT

EXTERIOR COMPONENTS

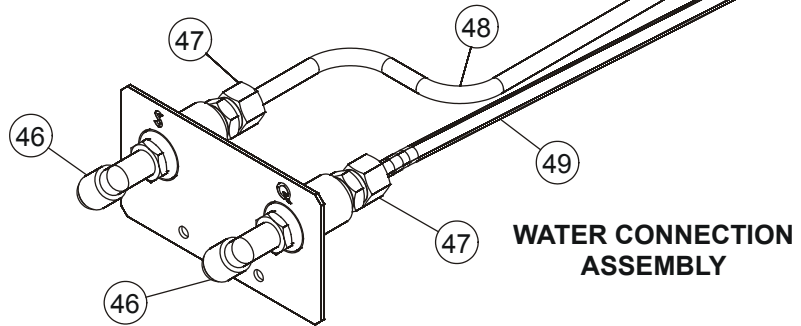


<u>Ref. No.</u>	<u>Part No.</u>	<u>Description</u>
1	51698	FRONT TRIM
2	52514	DOOR SWITCH ASSEMBLY
3	51603	TURNBUCKLE ASSEMBLY
4		RH DOOR ASSEMBLY (SEE PAGE 7)
5		LH DOOR ASSEMBLY (SEE PAGE 7)
6	52479	LH BODYSIDE
7	51591	HINGE PIN (LEFT AND RIGHT)
8	51081	LH HINGE
9	51488	DOOR CATCH (TOP AND BOTTOM)
10	51082	RH HINGE
11	51105	RH BODYSIDE
13	51253	BODYTOP
15	54415	BODYBACK, ACCESS PANEL
16	54420	DRAFT INDUCER COVER

ELECTRICAL & GAS COMPONENTS



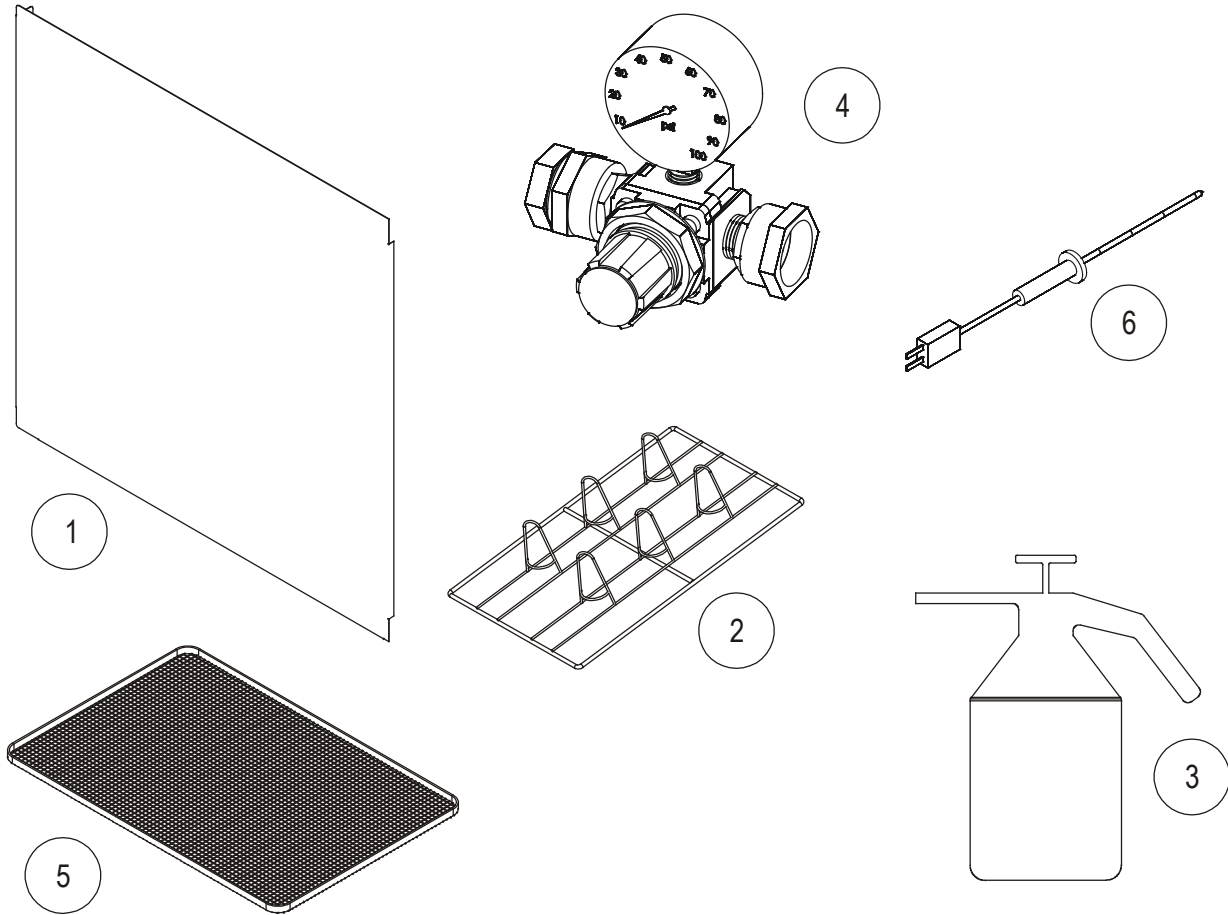
BURNER ASSEMBLY



WATER CONNECTION ASSEMBLY

Ref. No.	Part No.	Description
1	53206	INTERFACE BOARD, (TOUCH SCREEN)
	54380	INTERFACE BOARD (MENSELECT, MANUAL)
4	38303	TRANSFORMER, 40VA 120-240P/24S
6	54630	PROG. INVERTER, HV100G, 120 VOLT
	54666	PROG. INVERTER, 208/240 VOLT
7	36446	RELAY, SPST 24 VDC (IQ2)
8	54388	CONTROL, IGNITION, FENWAL HV100G
10	M9422	SWITCH, PRESSURE ONLY DOM/CE
12	38610	CAPACITOR, ELECTROLYTIC 5MFD
14	11502	TIE, WIRE 3/16 X 14" MAX
17	53902	FILTER, EMI
18	52946	POWER SUPPLY, 24VDC
	M3166	POWER SUPPLY FUSE
20	M9705	TUBING, POLYURETHANE (BY THE FOOT)
21	33088	CLIP, BULB THERMISTER
22	51516	PROBE, 3/16" DIA. RTD
25	52353	RED TUBING, 1/4" OD POLYURETHANE (BY THE INCH)
28	51265	ASSY, WATER DISTRIBUTION
29	33249	HOSE, FLEX 1/2" GAS
30	16118	COUPLING, REDUCER
31	52352	GREEN TUBING, 1/4" OD POLYURETHANE (BY THE INCH)
32	52351	BLUE TUBING, 1/4" OD POLYURETHANE (BY THE INCH)
33	36229	GAS ADAPTER ASSEMBLY DFG100
34	38742	GAS VALVE ASY, DIRECT SPARK NATURAL GAS
	38743	GAS VALVE ASY, DIRECT SPARK PROPANE
35	54637	WATER CONNECTION ASSEMBLY
36	R9580	FITTING, 1/4 NPT TO TO GHT BRASS
	50261	HOSE FILTER
37	54453	BURNER ASSEMBLY, NATURAL GAS
	54645	BURNER ASSEMBLY PROPANE GAS
38	54393	COOLING FAN ASSEMBLY
39	54454	BURNER SUPPORT
40	54173	BURNER MANIFOLD
41	38517	ELECTRODE, 90 DEG, SPARK
42	54638	INSHOT BURNER
43	38964	RING, RETAINING 1/2" POODLE
44	54175	ORIFICE, .085" (NATURAL GAS)
	54640	ORIFICE, .063" (PROPANE)
46	51617	ELBOW, 1/4" PTC X 1/4" NPT SWI
47	38844	FITTING, 1/4 NPT X 1/4 COMP
48	52955	TUBE, FLEX 1/4" OD X 30"
49	52956	TUBE, FLEX 1/4" OD X 12"

ACCESSORIES



Ref. No.	Part No.	Description
1	52889	HEAT SHIELD KIT
2	52387	CHICKEN ROASTING RACK
3	R10955	SPRAY BOTTLE
4	54734	PRESSURE REGULATOR, WITH HOSE REEL
	52815	PRESSURE REGULATOR W/OUT HOSE REEL
5	54247	FRY RACK, MULTI PURPOSE
	5996	CORDSET
	8598	25" S/S LEGS W/FEET (SET OF 4)
	16002	25" S/S LEGS W/CASTERS (SET OF 4)
	54698	34" OPEN STAND W/GUIDES AND FEET
	54699	34" OPEN STAND W/GUIDES AND CASTERS
	33199	LOCKING CASTERS W/PLATES (SET OF 4)
	33196	6" SEISMIC LEGS (SET OF 4)
	8600	6" S/S LEGS W/FEET (SET OF 4)
	53057	8-1/2" LEGS W/CASTERS (SET OF 4)
	53058	11" LEGS W/FEET (SET OF 4)
	53059	11" LEGS W/SEISMIC FEET (SET OF 4)
6	39783	MEAT PROBE, 4"
6	39797	MEAT PROBE, 6"
	21242	48" GAS HOSE
	21826	36" GAS HOSE
	54671	EXTERNAL HOSE REEL KIT
	54801	GAS MANIFOLD