



CMA Dishmachines
127 Knott Avenue
Garden Grove, CA 92841

Toll Free: 1- (800) 854-6417
Fax: 1- (714) 895-2141

Service Replacement Parts



Undercounter High Temperature Dishwasher

Models:

UC65e



Machine Serial No.



Issue Date: 6.04.09

Manual P/N 0512865 rev. 0

For machines beginning with S/N W090217876 and above

CMA Dishmachines
12700 Knott Avenue
Garden Grove, CA 92841
Toll Free: 1 (800) 854-6417
Fax: 1 (714) 895-2141

Printed in the USA



For future reference, record your dishwasher information in the box below.

Model Number _____	Serial Number _____
Voltage _____ Hertz _____	Phase _____
Service Agent _____	Tel: _____
Parts Distributor _____	Tel: _____

National Service Department

CMA Dishmachines
12700 Knott Avenue
Garden Grove, CA 92841
Toll-free: 1 (800) 854-6417
Fax: 1 (714) 895-2141

ATTENTION:

The model no., serial no., voltage, Hz and phase are needed to identify your machine and to answer questions.

The machine data plate is located on the lower front panel.

Please have this information ready if you call for service assistance.

Revision History

- The Revision History can contain part number changes, new instructions, or information that was not available at print time.
- We reserve the right to make changes to these instructions without notice and without incurring any liability by making the changes..
- Equipment owners may request a revised manual, at no charge, by calling CMA Dishmachines at 1 (800) 854-6417.

<i>Revision Date</i>	<i>Revised Pages</i>	<i>Serial Number Effectivity</i>	<i>Revision Description</i>
6.04.09	All	W090217876	Released First Edition

Model Description

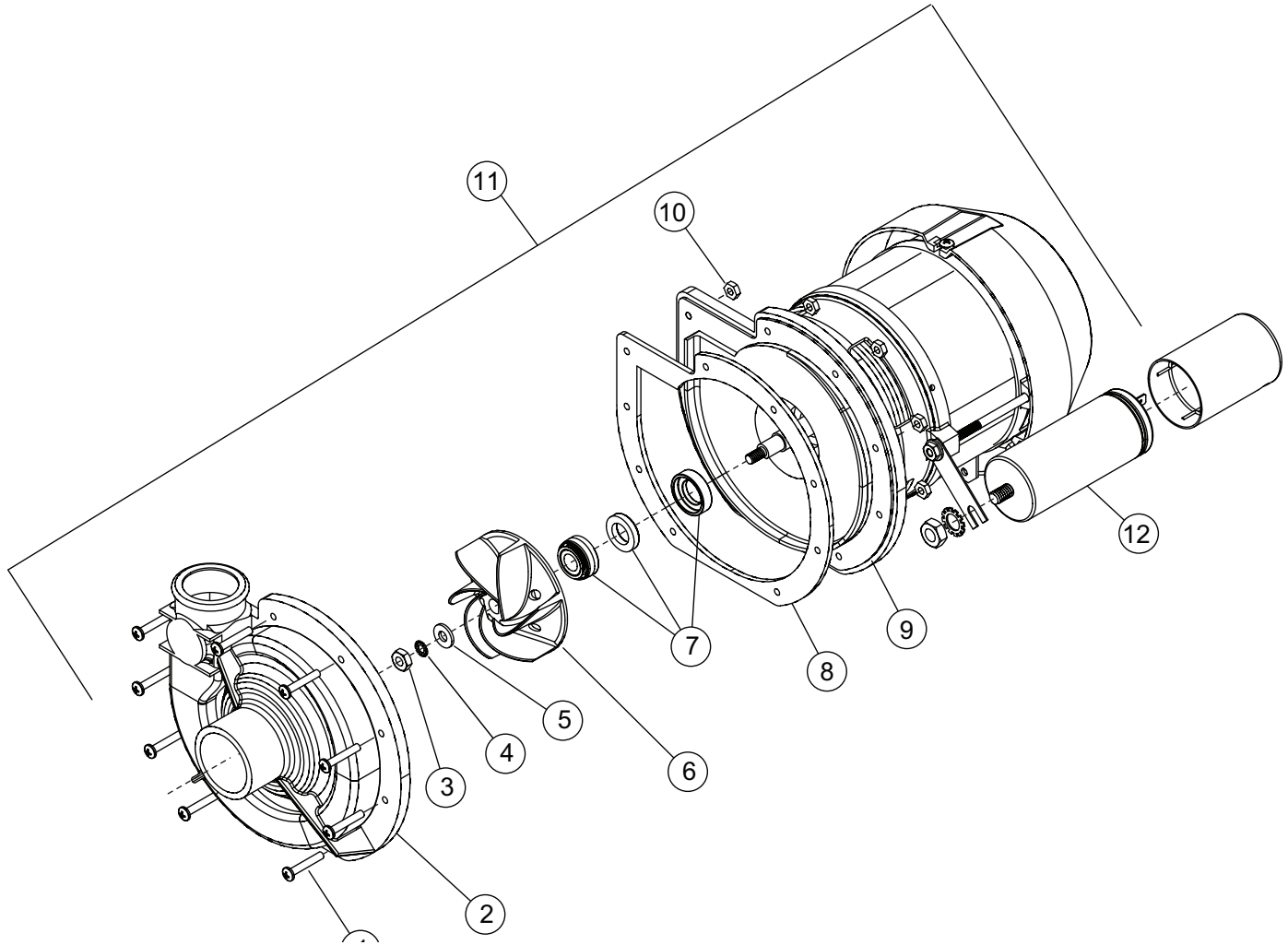
UC65e

High temperature hot water sanitizing dishwasher with built-in 40°F/22°C rise booster heater.
208-240VAC/60/1

Service Replacement Parts

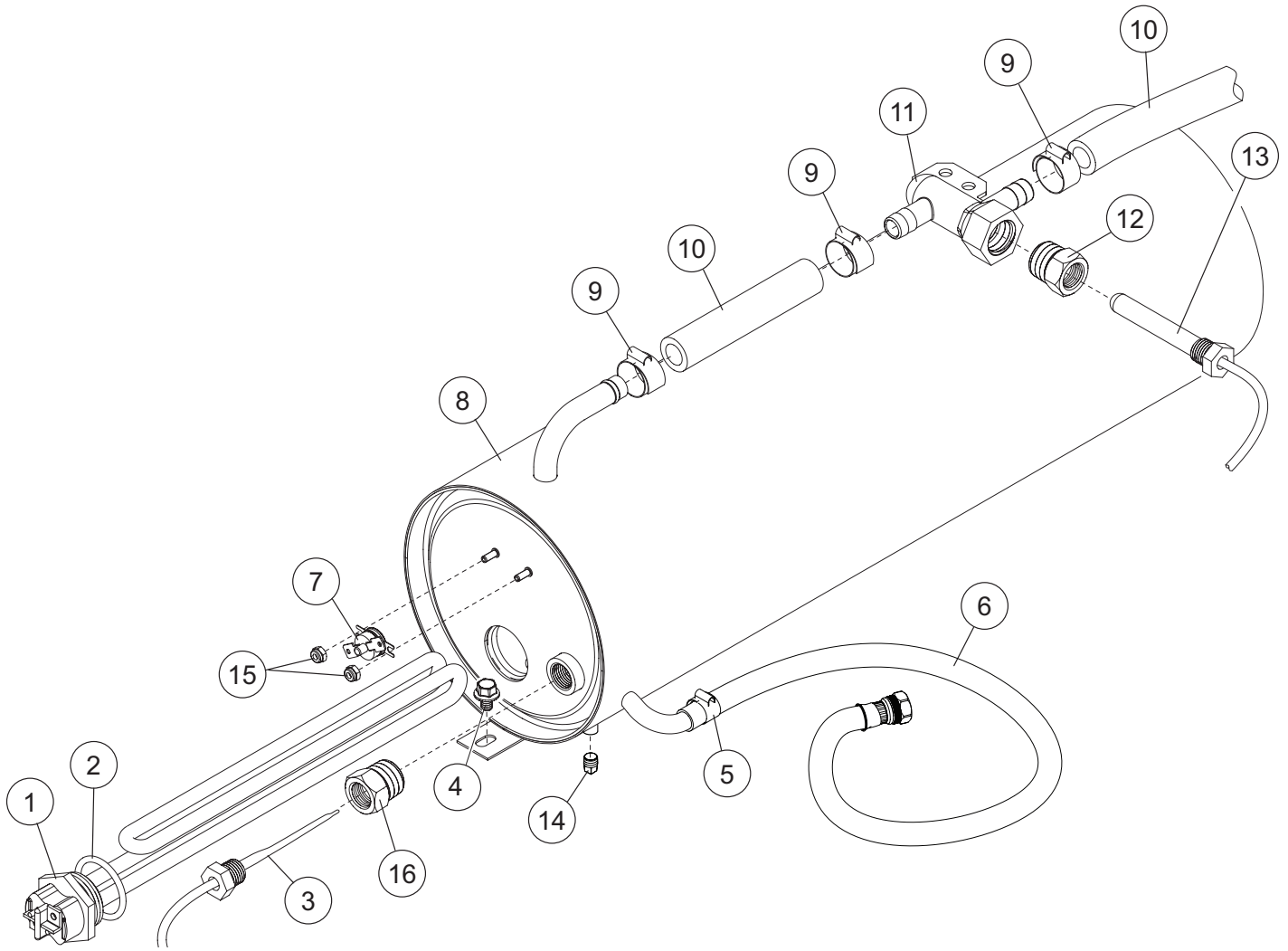
Illustrations	Page
Wash Pump/Motor Assembly	22
Booster Assembly	24
Electrical Panel and Timer Assembly	26
Control Panel Assembly	28
Upper Final Rinse Piping Assembly	30
Wash and Rinse Spray Arm Assemblies	32
Drain Pump and Lower Hose Assemblies	34
Wash Tank Heater and Drain Assemblies	36
Fill Solenoid Valve Assembly	38
Detergent Pump Assembly	40
Rinse-aid Pump Assembly	42
Panel Assembly	44
Door Assembly	46
Dish racks, Line Strainer and Pressure Regulating Valve (PRV)	48

Wash Pump/Motor Assembly



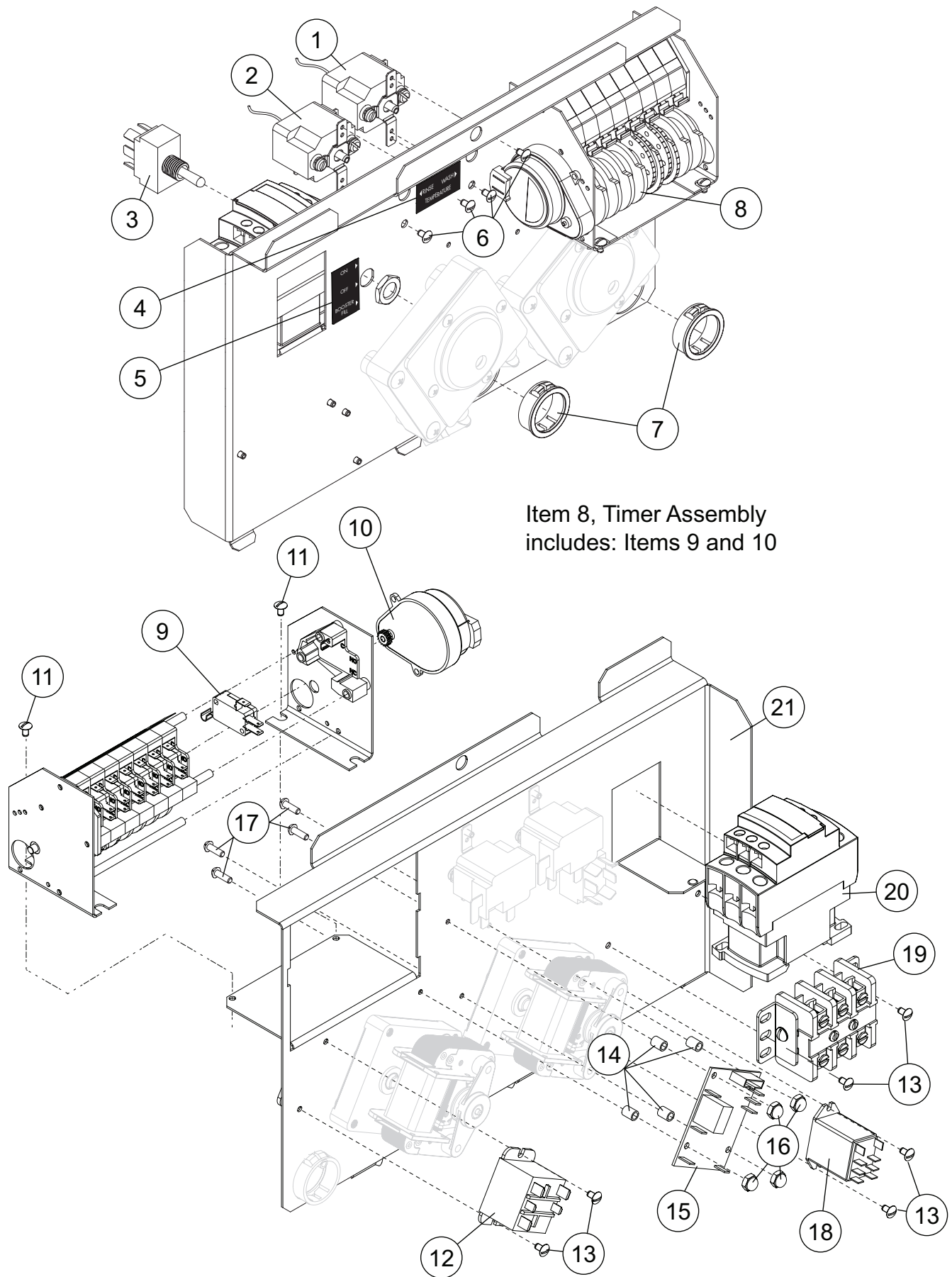
Item No.	Part No.	Description	Qty.
1	2103.01	SCREW, M4, PHIL, PAN HD.	9
2	2103.02	IMPELLER HOUSING COVER	1
3	2103.03	NUT, M6 (left-hand threads)	1
4	2103.04	WASHER, LOCK, M6	1
5	2103.05	WASHER, PLAIN, M6	1
6	2103.06	IMPELLER	1
7	2103.07	SEAL	1
8	2103.30	GASKET, PUMP	1
9	2103.09	BACKPLATE, PUMP	1
10	2103.08	NUT, M4	9
11	2103.10	PUMP/MOTOR ASSEMBLY COMPLETE 220VAC/60/1	1
12	2103.11	CAPACITOR 16 μ F	1

Booster Assembly

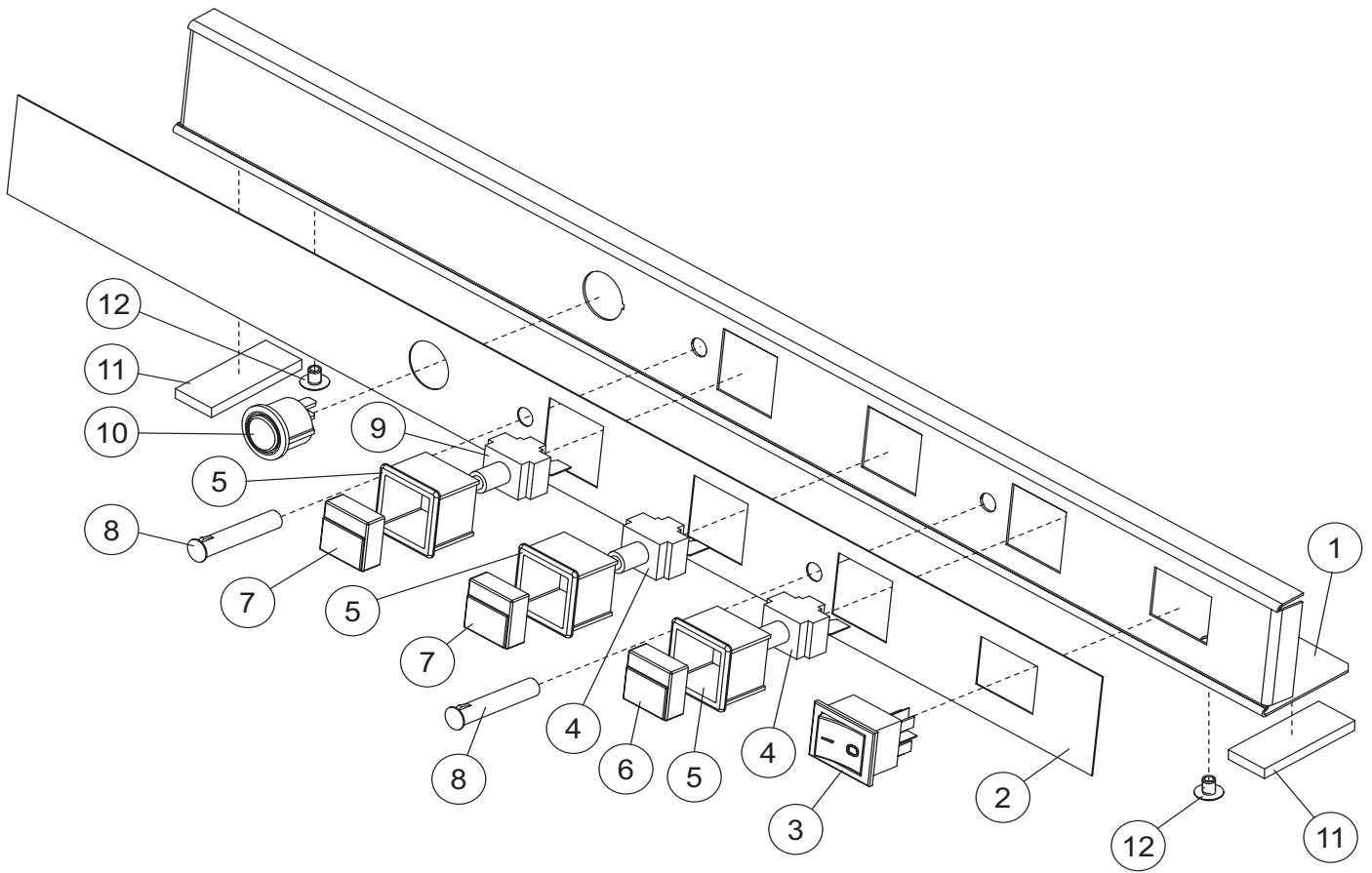


Item No.	Part No.	Description	Qty.
1	2103.12	HEATER, BOOSTER 4kW, 208V, 40°F RISE (Does not include gasket)	1
1	2103.13	HEATER, BOOSTER 6kW, 208V, 70°F RISE (Does not include gasket)	1
2	2103.14	GASKET, BOOSTER HEATER	1
3	2103.15	THERMOSTAT, CONTROL 195°F	1
4	2103.16	BOLT, HEX FLANGE, 1/4-20 X 3/8" SST	1
5	2103.17	CLAMP, GEAR-TYPE 5/16" SST	1
6	2103.18	HOSE, BOOSTER FILL	1
7	2103.19	THERMOSTAT, HI-LIMIT FIXED SNAP 240°F	1
8	2103.20	TANK, BOOSTER WELDMENT	1
9	2103.21	CLAMP, GEAR-TYPE, 7/16" SST	3
10	2103.22	HOSE, 1/2" ID	A/R
11	2103.23	TEE, RINSE THERMOMETER	1
12	2103.24	FITTING, BOOSTER THERMOMETER	1
13	0302.00	THERMOMETER, 2" DIAL, 7' CAPILLARY	1
14	2103.26	PLUG, 1/8" SST	1
15	2103.27	NUT, GRIP 6-32 W/NYLON INSERT	2
16	2103.28	FITTING, BOOSTER THERMOSTAT	1

Electrical Panel and Timer Assembly

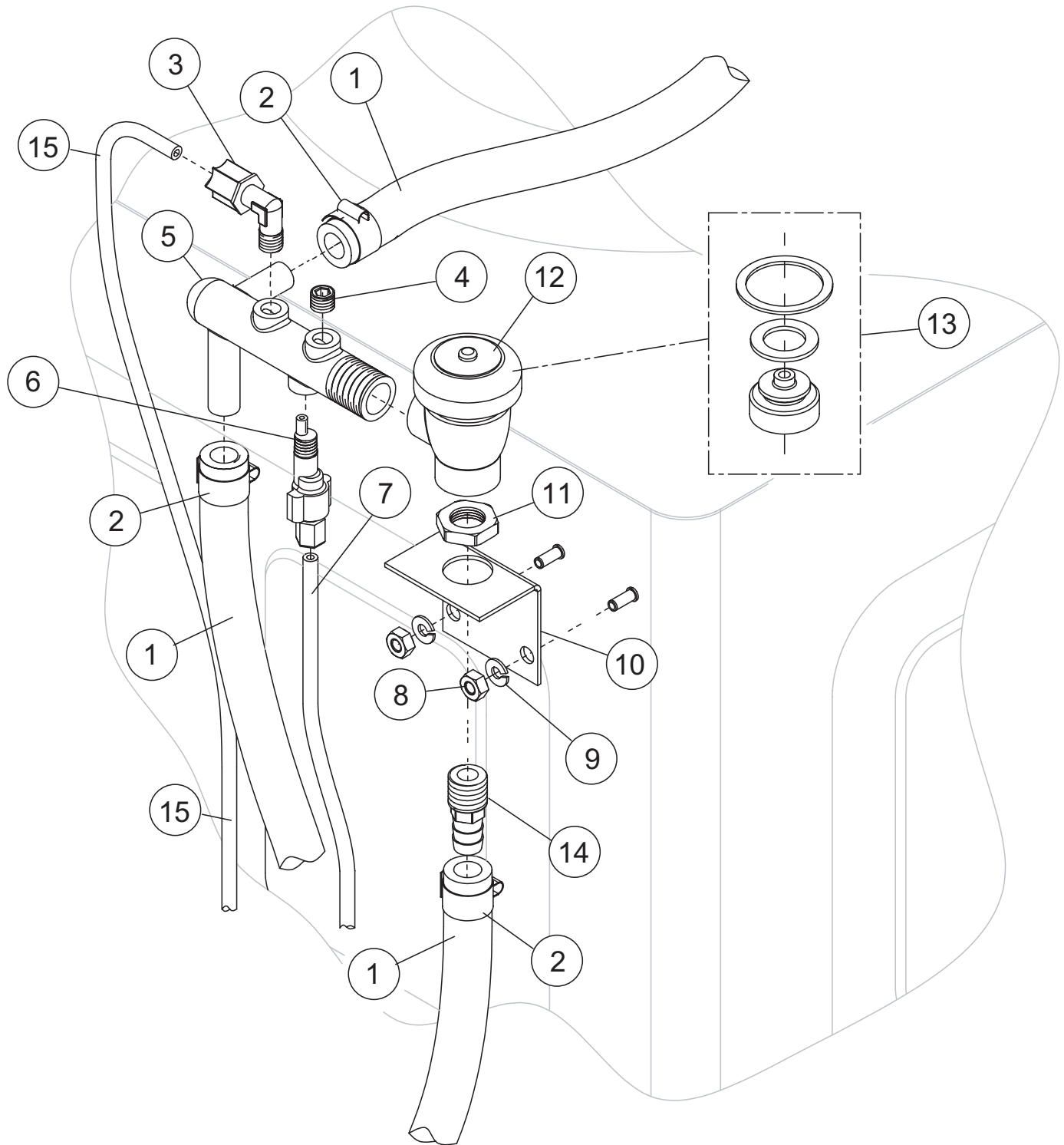


Item No.	Part No.	Description	Qty.
1	2103.29	THERMOSTAT, WASH TANK	1
2	2103.15	THERMOSTAT, BOOSTER 195°F	1
3	2103.31	SWITCH, 3-POSITION, TOGGLE	1
4	2103.32	LABEL, ON/OFF/BOOSTER FILL	1
5	2103.33	LABEL, WASH-RINSE TEMPERATURE	1
6	2103.34	SCREW, NIBS RH 6-32 X 3/16" PHIL. SST	4
7	2103.35	BUSHING, 1" ID	2
8	00408.60	ASSEMBLY, TIMER (Includes Items 9, 10)	7
9	0411.00	SWITCH, TIMER	7
10	00501.00	MOTOR, TIMER	1
11	2103.39	SCREW, TRUSS SLOT, 10-32 X 3/8"	2
12	2103.40	RELAY, 15 AMP, 120VAC COIL	1
13	2103.41	SCREW, RH 8-32 X 3/16" SLOTTED SST	6
14	00820.06	STAND-OFF, CIRCUIT BD., NYLON	4
15	2103.43	FILL/DRAIN TIMER	1
16	00820.07	CAP. STAND-OFF, NYLON	4
17	2103.45	SCREW, RH 4-40 X 3/16" SLOTTED SST	4
18	2103.46	RELAY, 120VAC, 2PDT	1
19	2103.47	BLOCK, TERMINAL	1
20	2103.48	CONTACTOR, 25/40A, 3P, 120V COIL	1
21	2103.49	PANEL, CONTROL	1



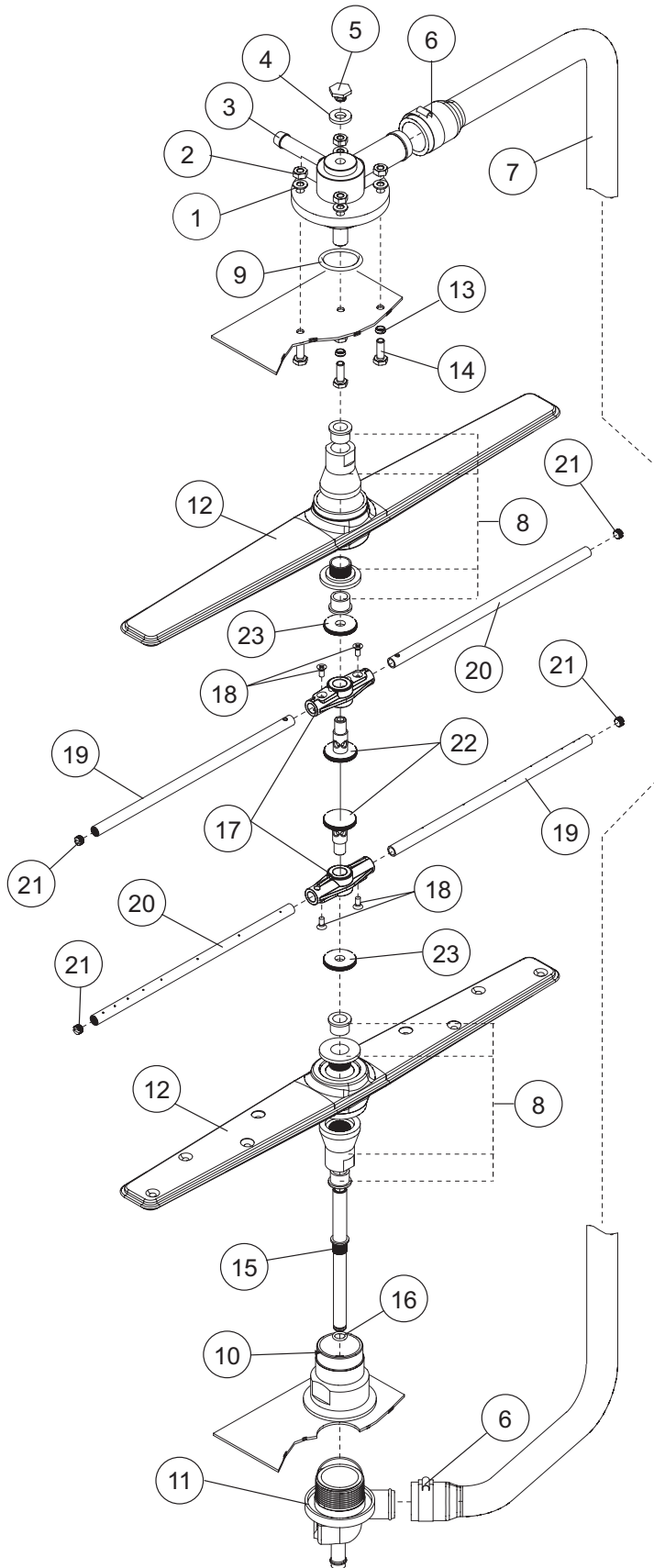
Item No.	Part No.	Description	Qty.
1	2103.42	PANEL, FACIA, UC65e	1
2	2103.44	LABEL, FACIA, UC65e	1
3	2103.50	SWITCH, ON-OFF	1
4	2103.51	CONTACT, MOMENTARY, N.O.	2
5	2103.52	HOUSING, SWITCH	3
6	2103.53	BUTTON, SWITCH (GREEN)	1
7	2103.54	BUTTON, SWITCH (GREY)	2
8	2103.55	LIGHT, INDICATOR LED, 125VAC (GREEN)	2
9	2103.56	CONTACT, SWITCH (EXTENDED WASH)	1
10	2103.57	SWITCH, MOMENTARY (PRIME)	1
11	2103.58	GASKET, STEAM	2
12	2103.59	SCREW, TRUSS SLOT., 8-32 X 1/4" SST	2

Upper Final Rinse Piping Assembly



Item No.	Part No.	Description	Qty.
1	2103.60	HOSE, RUBBER 1/2ID X .84OD	AR
2	2103.21	CLAMP, SS GEAR-MIN. 5/16-MAX.7/8	6
3	2103.62	FITT COMP 1/4OD X 1/8MPT ELL J	1
4	2103.26	PLUG, 1/8 HEX COUNTERSUNK	1
5	2103.64	MANIFOLD, RINSE	1
6	2103.65	INJECTOR FITTING	1
7	2103.66	TUBING, 1/8OD X 1/16 ID	AR
8	2103.67	NUT, HEX SS 1/4-20	2
9	2103.04	WASHER, SPLIT LOCK 1/4i 304SS	2
10	2103.69	BRACKET, VACUUM BREAKER	1
11	2103.70	NUT, LOCK 1/2" NICKEL PLATED	1
12	2103.71	VACUUM BREAKER, 1/2" BRASS	1
13	2103.72	REPAIR KIT, VACUUM BREAKER 1/2"	1
14	2103.73	COUPLER 1/2 MPT X 1/2" HOSE	1
15	2103.74	TUBING, 1/4" NATURAL	AR

Wash and Rinse Spray Arm Assemblies

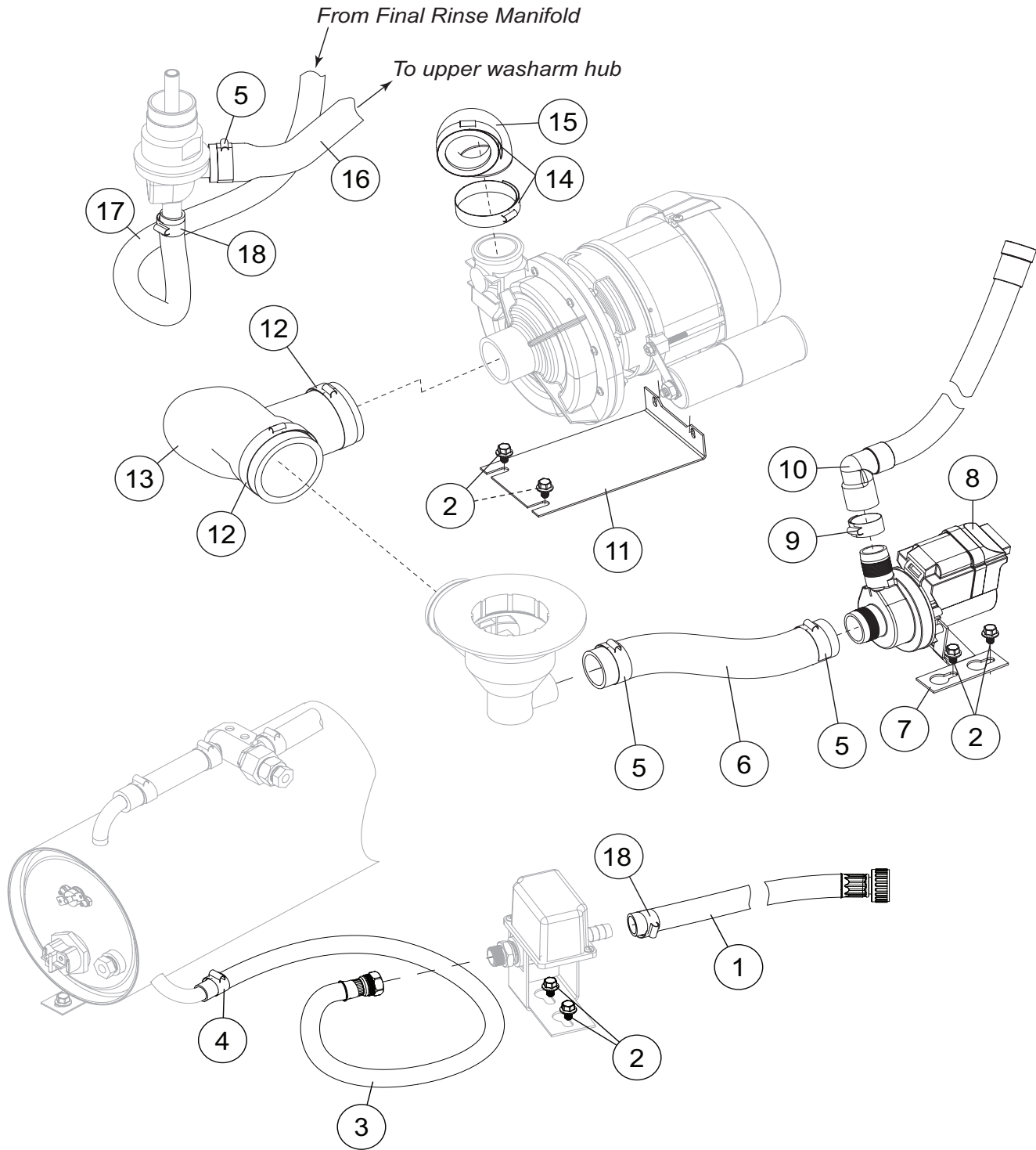


Item No.	Part No.	Description	Qty.
1	2103.75	WASHER, 17/64 id X 9/16" OD SST	4
2	2103.76	NUT, HEX 1/40-20 NYLON INSERT SST	4
3	2103.77	HUB, UPPER WASH ARM	1
4	2103.78	WASHER, PACKING	1
5	2103.79	SCREW, RETAINING	1
6	2103.80	CLAMP, HOSE GEAR 1-1/2" SST	2
7	2103.81	HOSE, UPPER WASH ARM	1
8*	2103.82	BEARING ASSEMBLY	2
9	2103.83	O-RING, 2-1/8" OD X 1-3/4" ID X 3/16"	1
10	2103.84	HUB, LOWER WASH ARM	1
11	2103.85	MANIFOLD, LOWER FWR	1
12	2103.86	WASH ARM ASSEMBLY <i>(Includes Item 8)</i>	2
13	2103.88	WASHER, NYLITE	4
14	2103.89	BOLT, 1/4-20 X 1" SST	4
15	2103.90	SHAFT, LOWER	1
16	2103.91	O-RING	1
17	2103.92	HUB, RINSE ARM, MOLDED	2
18	2103.93	SCREW, TRUSS SLOTTED 8-32 X 1/4" SST	4
19	2103.94	ARM, RIGHT-HAND RINSE (7 JETS)	2
20	2103.95	ARM, LEFT-HAND RINSE (8 JETS)	2
21	2103.96	CAP, RINSE ARM, 5/16-24	4
22	2103.97	SPINDLE, RINSE ARM	2
23	2103.98	SPACER, NUT	2
---	2103.99	RINSE ARM ASSEMBLY <i>(Includes Items 18-24)</i>	2

*** Note:**

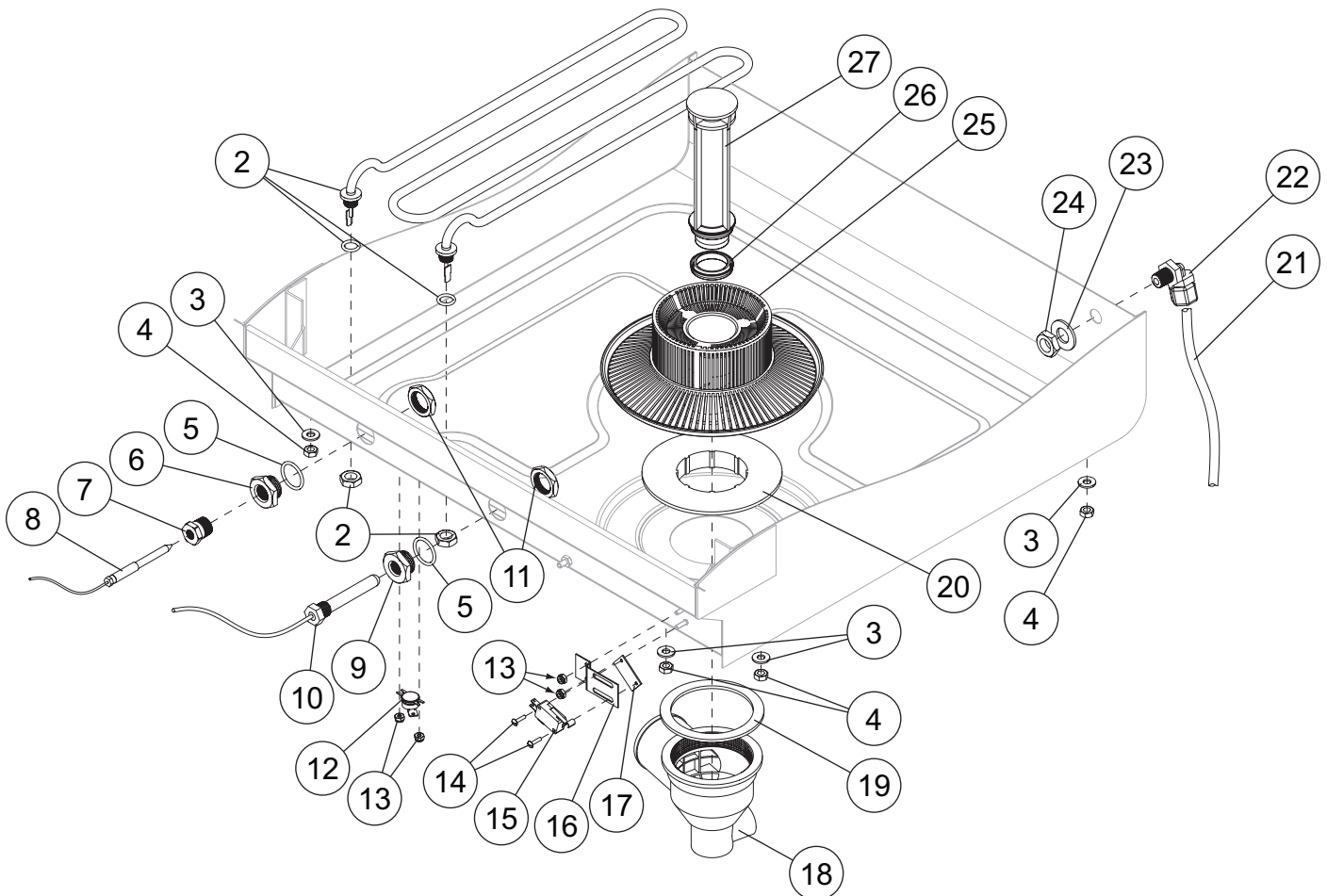
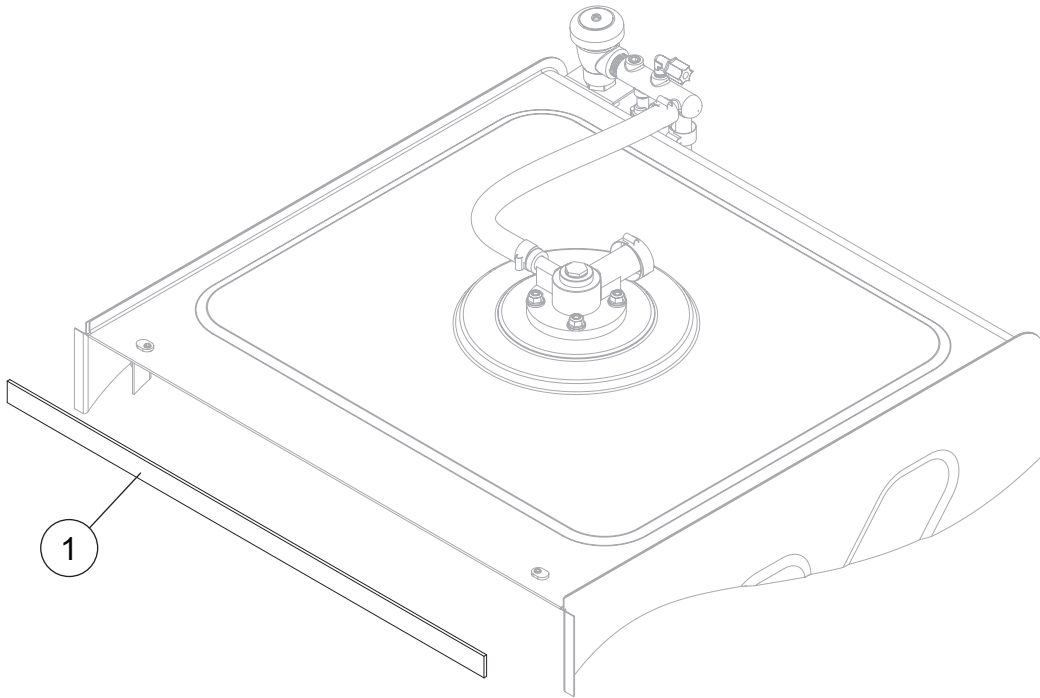
The bearing assembly, P/N 2103.82 includes 2 bearings, 1 locknut, and 1 wash arm hub. The bearings, locknut and hub are not available as separate service replacement parts.

Drain Pump and Lower Hose Assembly



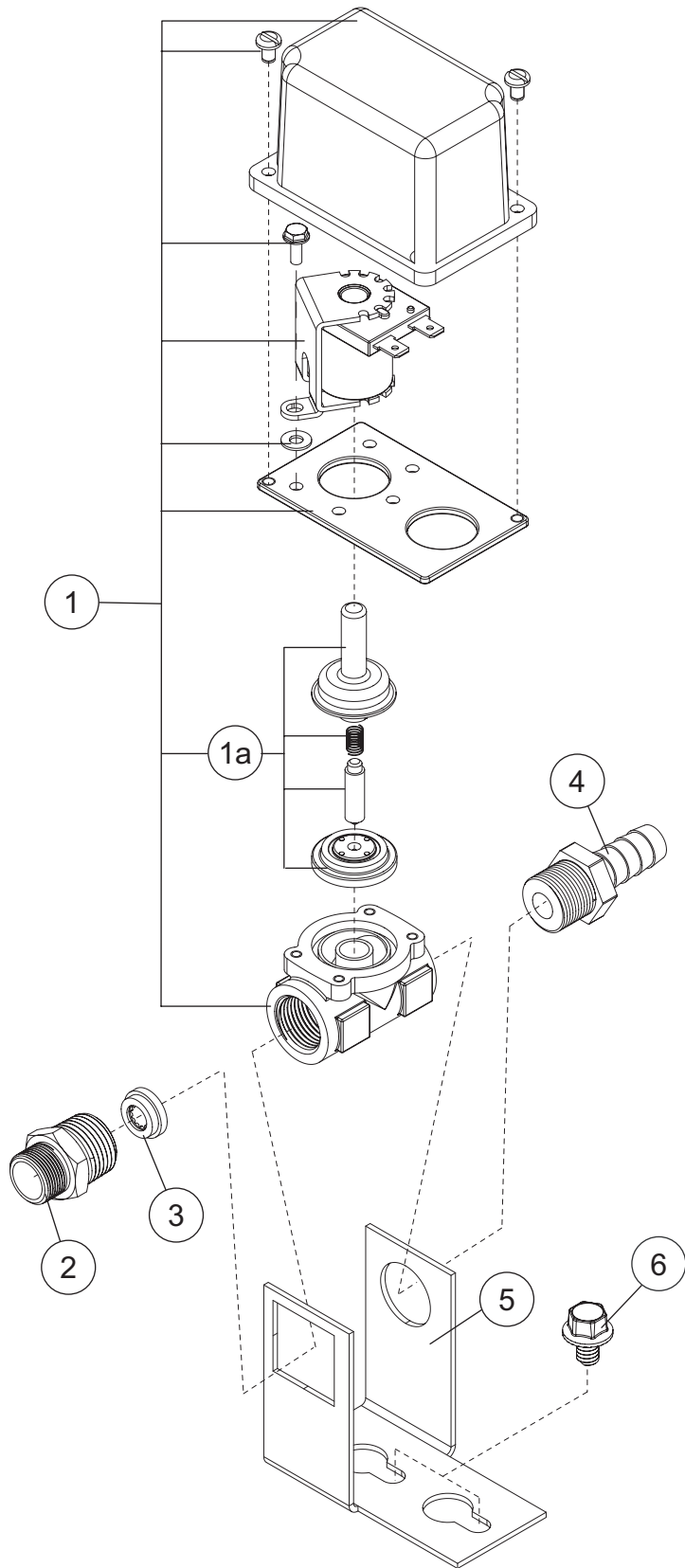
Item No.	Part No.	Description	Qty.
1	02104.00	HOSE, FILL 1/2" X 7' C/W 3/4" FNPS	1
2	2103.16	BOLT, HEX FLANGE, 1/4-20 X 3/8" SST	6
3	2103.18	HOSE, BOOSTER FILL, 1/2" X 1'	1
4	2103.17	CLAMP, HOSE GEAR-TYPE 5/16"	1
5	2104.04	CLAMP, HOSE GEAR-TYPE, 1", SST	2
6	2104.05	HOSE, DRAIN PUMP SUCTION	1
7	2104.06	BRACKET, DRAIN PUMP	1
8	2104.07	PUMP, DRAIN 115VAC	1
9	2104.08	CLAMP, HOSE GEAR-TYPE SST	1
10	798.00	HOSE, BRAIDED 20"	1
11	2104.09	BRACKET, WASH PUMP	1
12	2104.10	CLAMP, HOSE GEAR-TYPE 1-13/16"- 2-3/4" MAX SST	2
13	2104.11	HOSE, SUCTION WASH PUMP	1
14	2103.80	CLAMP, HOSE GEAR-TYPE, 1-1/2", SST	2
15	2104.13	HOSE, DISCHARGE WASH PUMP	1
16	2103.81	HOSE, UPPER WASH ARM	1
17	2103.22	HOSE, RUBBER 1/2" 1D X .84" OD	A/R
18	2103.21	CLAMP, HOSE GEAR-TYPE	2

Wash Tank Heater and Drain Assembly



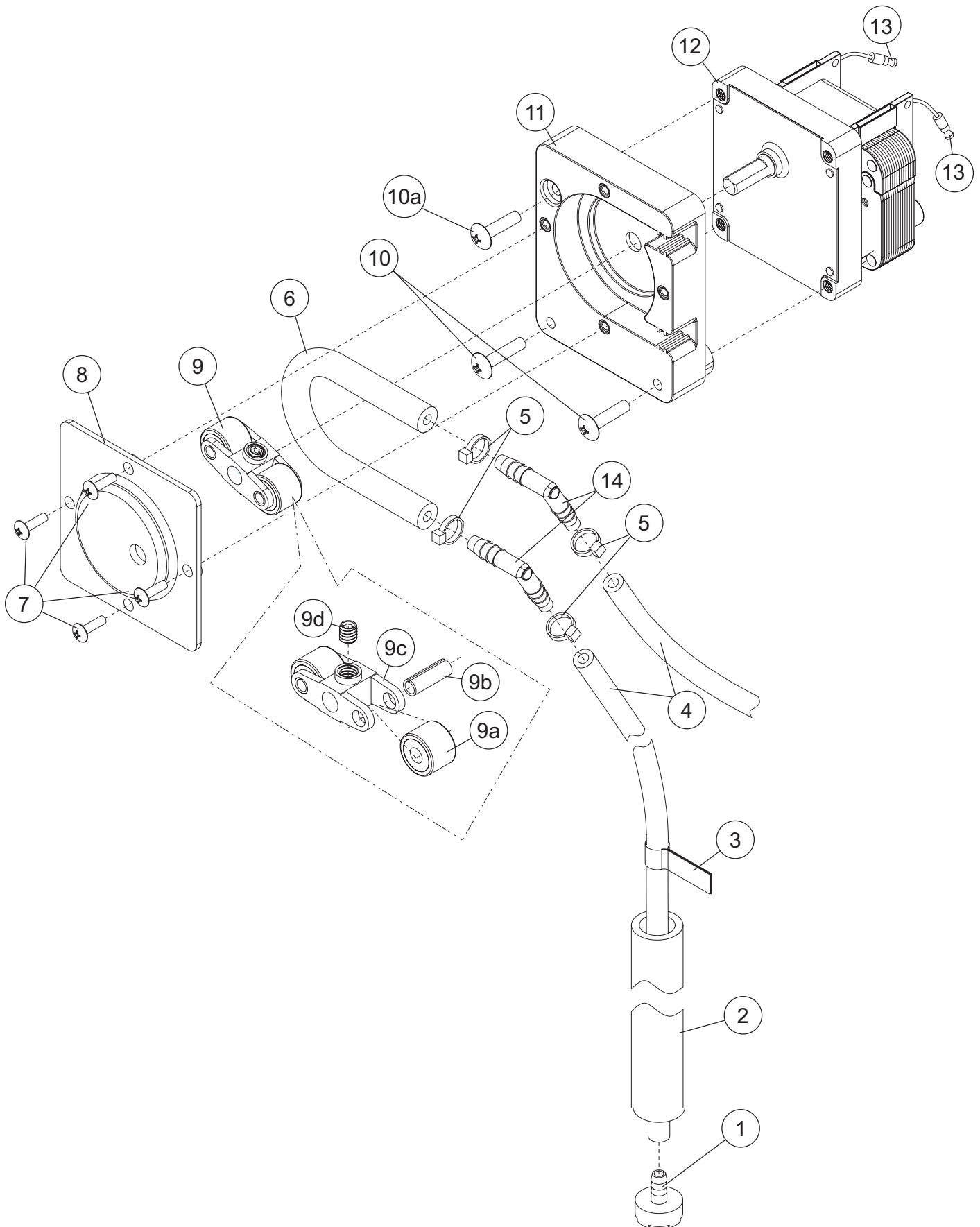
Item No.	Part No.	Description	Qty.
1	2104.17	GASKET, DOOR	1
2	2104.18	HEATER, WASH TANK, 2KW, 240VAC	1
3	8103.04	WASHER, SPLIT LOCK 1/4" SST	4
4	2103.67	NUT, HEX 1/4-20 SST	4
5	2104.21	O-RING	2
6	2104.22	ADAPTER, THERMOSTAT	1
7	2103.28	BUSHING, THERMOSTAT	1
8	2103.29	THERMOSTAT, WASH TANK	1
9	2104.25	ADAPTER, THERMOMETER	1
10	2103.25	THERMOMETER, 2" DIAL C/W 7' CAPILLARY	1
11	2103.70	NUT, LOCK 1/2" NICKLE-PLATED	2
12	2104.28	THERMOSTAT, FIXED, SNAP 212°F	1
13	2103.27	NUT, GRIP 6-32 W/NYLON INSERT	4
14	2103.30	SCREW, 4-40 X 1/2" SST	2
15	43019.00	SWITCH, DOOR 15 AMP	1
16	2104.32	BRACKET, SWITCH	1
17	2104.33	PLATE, SWITCH NUT	1
18	2104.34	ELBOW, PUMP SUCTION	1
19	2104.35	GASKET, PUMP SUCTION	1
20	2104.36	FLANGE, PUMP SUCTION	1
21	2104.37	HOSE, 1/4" ID X 3/8" OD	A/R
22	2104.38	ELBOW, 3/8" TUBE X 1/4" NPT	1
23	2104.39	GASKET, 1/4" FIBER	1
24	2104.40	LOCKNUT, 1/4" PLASTIC	1
25	2104.41	FILTER, SUMP	1
26	2104.42	SEAL, OVERFLOW TUBE	1
27	2104.43	TUBE, OVERFLOW	1

Fill Solenoid Valve Assembly



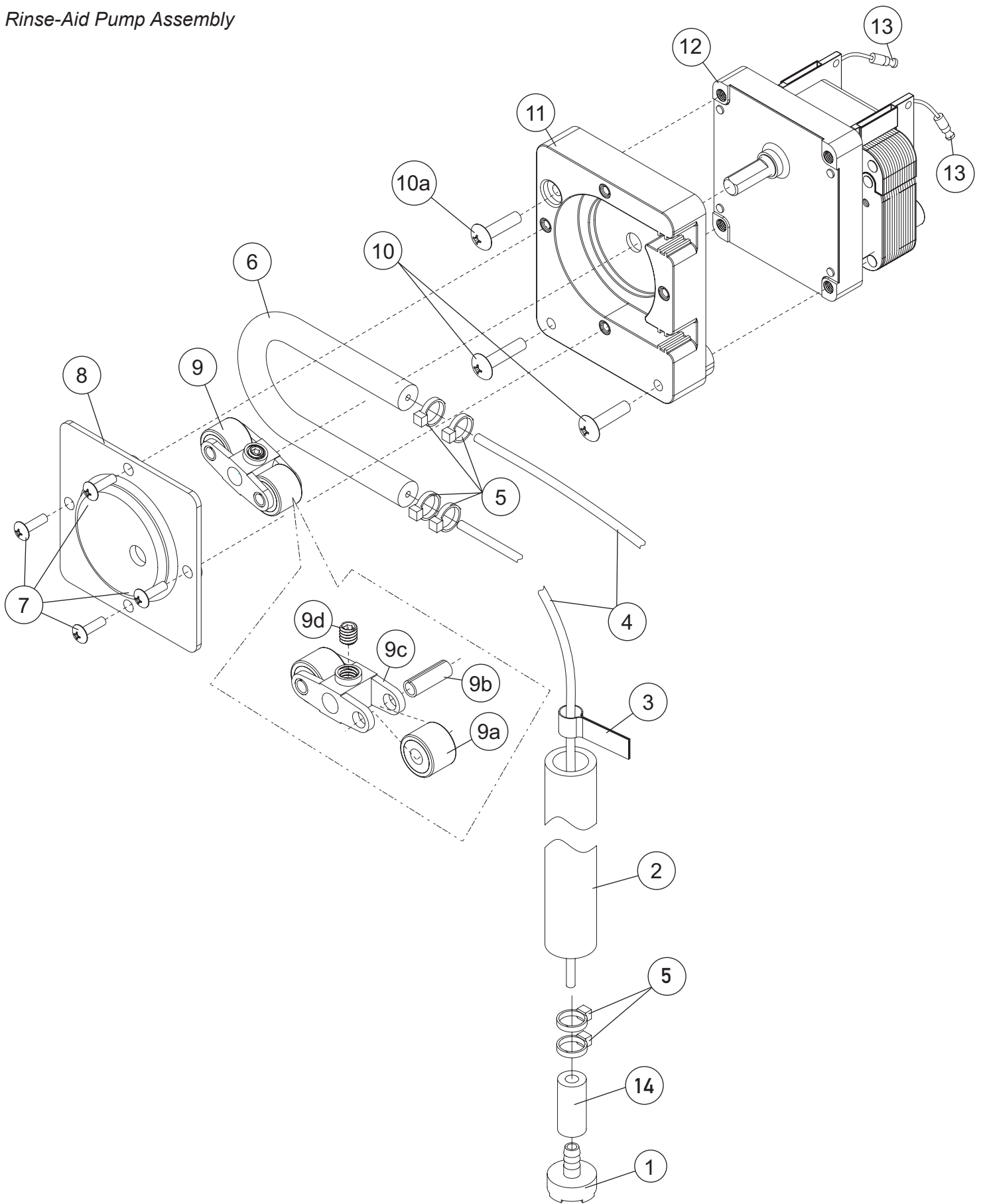
Item No.	Part No.	Description	Qty.
1	03604.00	VALVE, SOLENOID, DEMA 1/2" 115VAC/60/1 <i>(Includes Items 1a)</i>	1
1a	03604.30	KIT, REPAIR SOLENOID VALVE, DEMA 1/2"	A/R
2	03604.50	FITTING, FLOW DISC, DEMA	1
3	03604.10	WASHER, FLOW, DEMA	1
4	2103.73	FITTING, BARB HOSE	1
5	2104.45	BRACKET, VALVE, UC65E	1
6	2103.16	BOLT, HEX FLANGE 1/4-20 X 3/8" SST	2

Detergent Pump Assembly



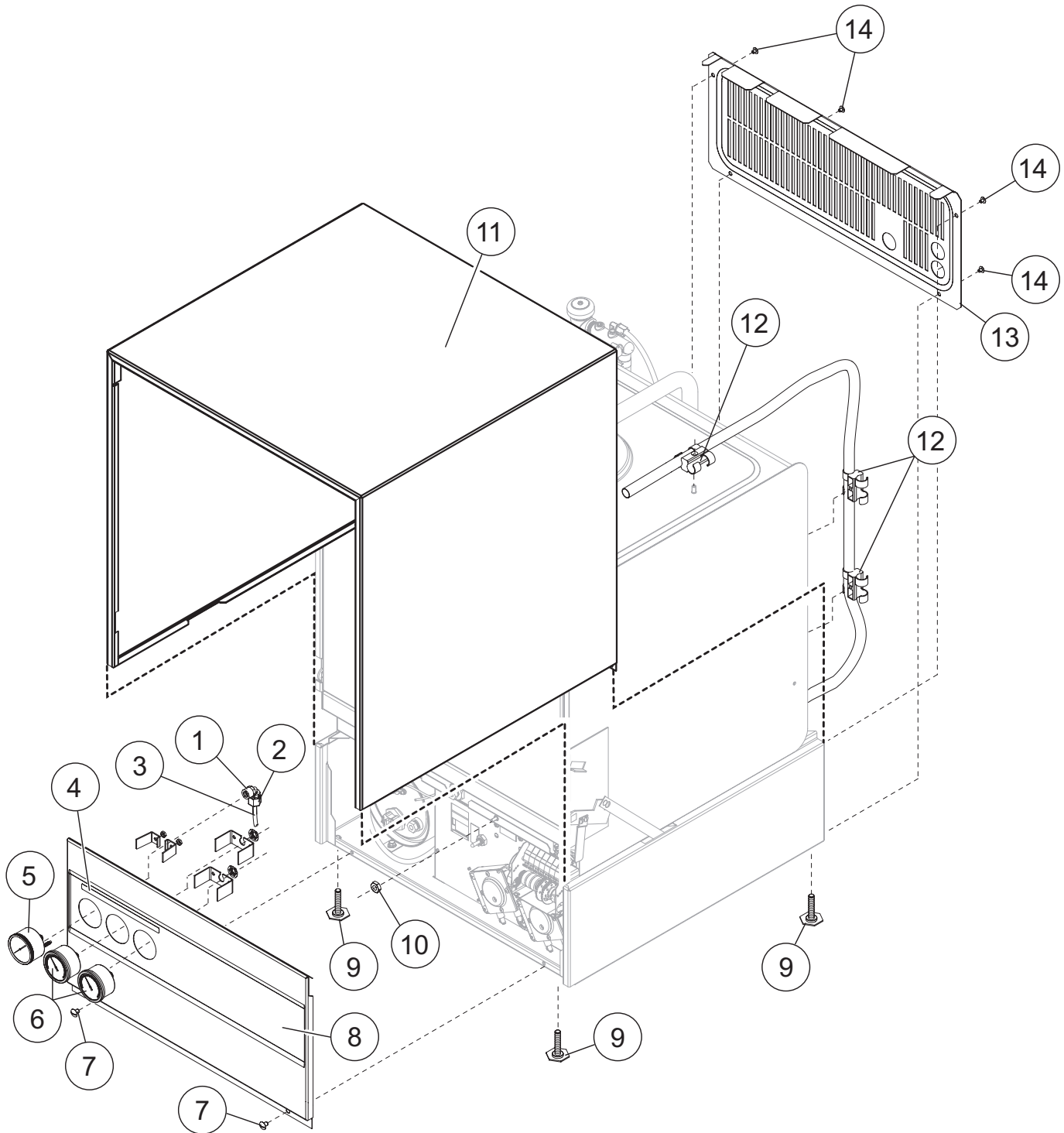
Item No.	Part No.	Description	Qty.
1	2104.47	STRAINER	1
2	2104.48	TUBE, 1/2IDX11-7/8LG. STIFFENER	1
3	2104.49	LABEL, DETERGENT	1
4	2104.37	HOSE, 1/4ID X 3/8OD PVC	A/R
5	2104.51	TIE, NYLON 4"	4
6	2104.52	ELBOW, 1/4 HOSE BARB	1
6	00435.10	TUBE, SQUEEZE PUMP	1
7	00911.00	SCREW	4
8	00418.00	COVER, PUMP	1
9	00419.00	ASSEMBLY, ROLLER	1
9a	00423.00	ROLLER	2
9b	00422.00	PIN, ROLL	1
9c	00424.00	BEARING, CARRIAGE	1
9d	00933.00	SCREW, SET	1
10	00919.00	SCREW	2
10a	00918.00	SCREW, FILISTER HD.	1
11	00417.00	BLOCK, PUMP	1
12	00416.10	MOTOR, PUMP 115VAC	1
13	00448.00	CONNECTOR, PUMP MOTOR	2
----	00415.00	ASSEMBLY, PERI-PUMP COMPLETE (Includes Items 6-13)	1

Rinse-Aid Pump Assembly



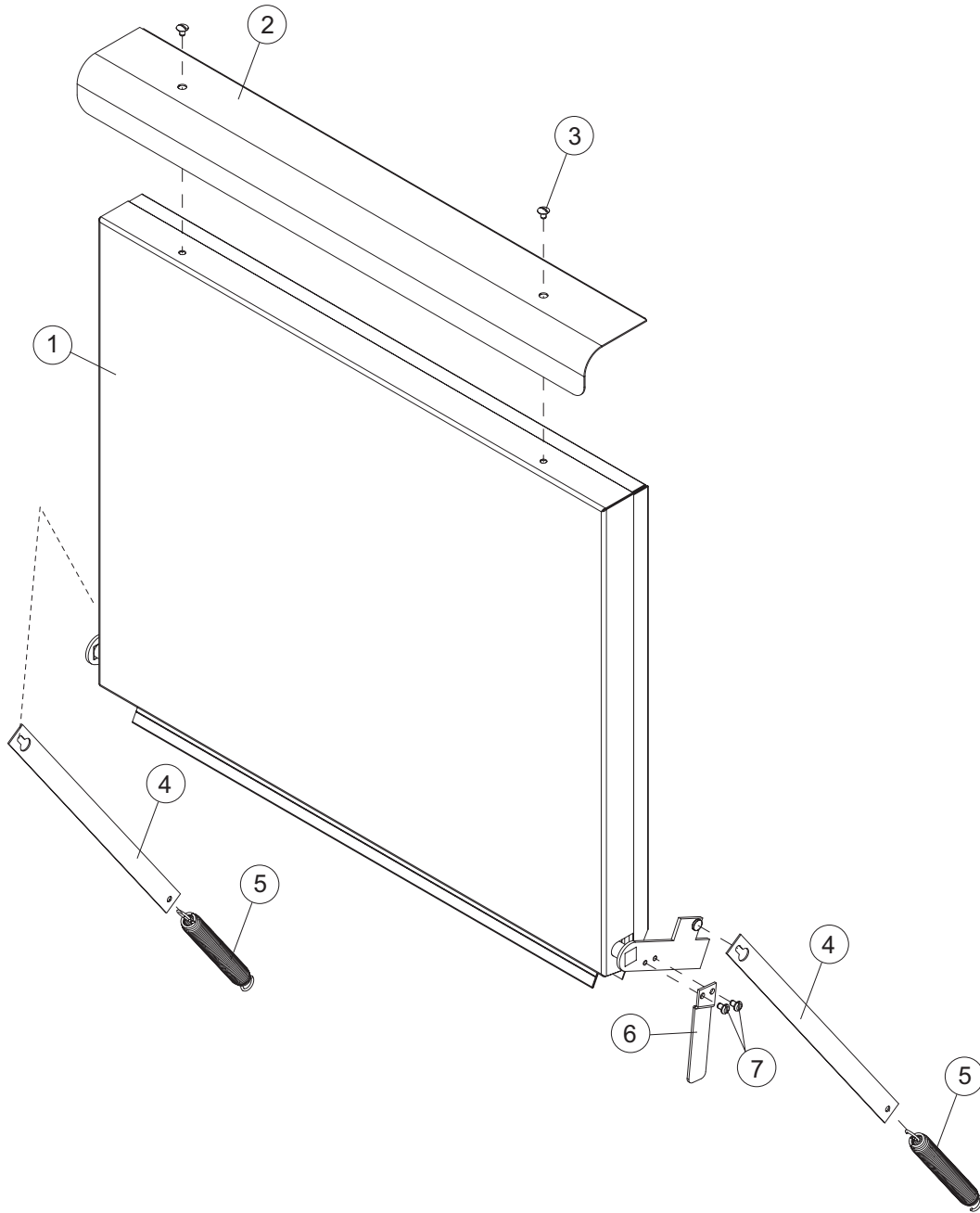
Item No.	Part No.	Description	Qty.
1	2104.47	STRAINER	1
2	2104.48	TUBE, 1/2ID X 11-7/8LG. STIFFENER	1
3	2104.49	LABEL, RINSE AID	1
4	2104.50	TUBING, 1/8" OD X 1/16 ID"	AR
5	2104.51	TIE, CABLE 4"	4
6	00836.00	TUBE, SQUEEZE PUMP	1
7	00911.00	SCREW	4
8	00418.00	COVER, PUMP	1
9	00419.00	ASSEMBLY, ROLLER	1
9a	00423.00	ROLLER	2
9b	00422.00	PIN, ROLL	1
9c	00424.00	BEARING, CARRIAGE	1
9d	00935.00	SCREW, SET	1
10	00919.00	SCREW	2
10a	00918.00	SCREW, FILISTER HEAD	1
11	00417.10	BLOCK, PUMP	1
12	00416.00	MOTOR, PUMP 115VAC	1
13	00448.00	CONNECTOR, PUMP MOTOR	2
14	2104.58	TUBE, PUMP, 1/8" ID X 2" LG.	1
----	00815.20	ASSEMBLY, PERI-PUMP COMPLETE (Includes Items 6-13)	1

Panel Assembly



Item No.	Part No.	Description	Qty.
1	2103.62	FITT COMP 1/4" OD X 1/8 MPT ELL J	1
2	2104.60	ADAPTOR, 1/8" NPT X 1/4" TUBE	1
3	2103.74	TUBING, 1/4" NATURAL	A/R
4	2104.62	LABEL, GUAGE	1
5	2104.63	GAUGE, PRESSURE 0-60PSI	1
6	2103.25	THERMOMETER, 2" DIAL, 7' CAPILLARY	2
7	2104.65	SCREW, 1/4-20 X 5/8" TRUSS HD. PHIL. SST	2
8	2104.66	PANEL, FRONT UC65e	1
9	2104.67	FOOT, ADJUSTING	4
10	2104.68	NUT, KEPS, 10-32 SST	1
11	2104.69	WRAP, OUTER PANEL	1
12	2104.70	CLAMP, DOUBLE CONDUIT	3
14	2103.39	SCREW TRUSS SLOT SS 10-32X3/8	4
13	2104.72	PANEL, REAR	1

Door Assembly



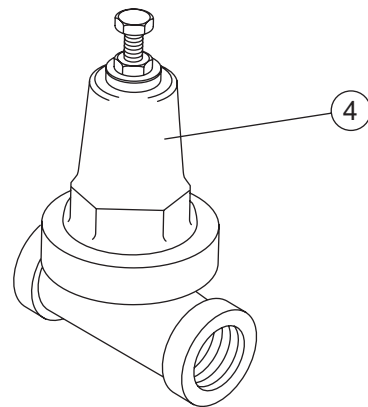
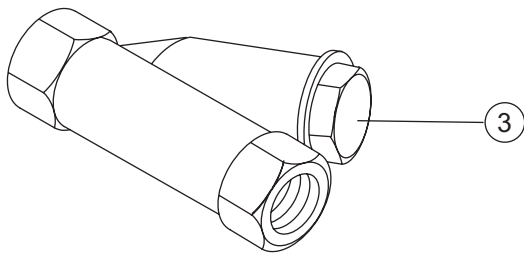
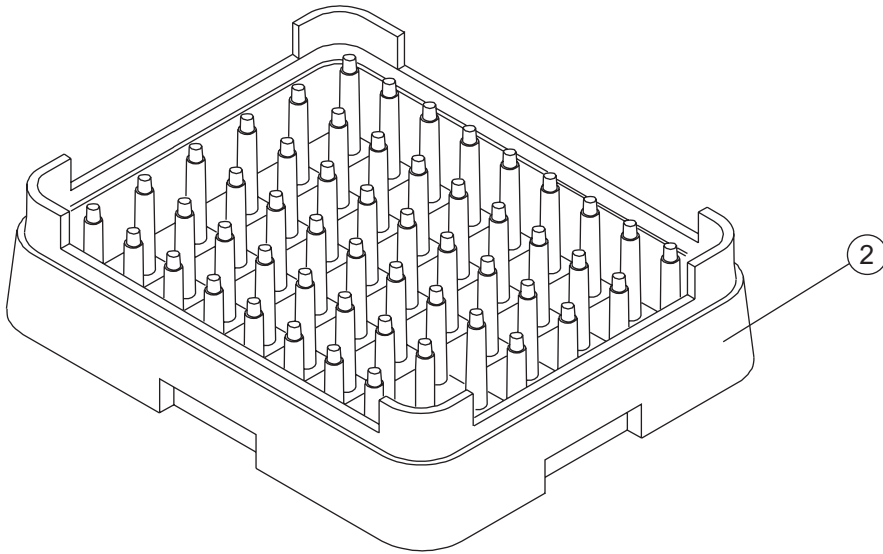
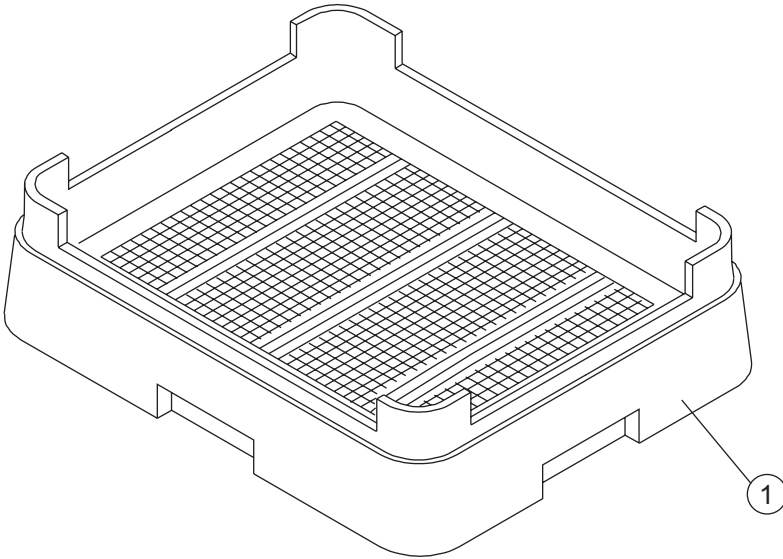
Item No.	Part No.	Description	Qty.
1	2104.73	DOOR WELDED ASSY	1
2	2104.74	HANDLE, DOOR	1
3	2103.93	SCREW, TRUSS SLOT SS 8-32 X 1/4	2
4	2104.76	ARM, DOOR SPRING	2
5	2104.77	SPRING, DOOR	2
6	2104.78	ACTUATOR, DOOR SWITCH	1
7	2103.41	SCREW, 8-32 X 3/16" PHIL. SST	2

Item
No.

Part
No.

Description

Qty.



Item No.	Part No.	Description	Qty.
1	2104.80	DISH RACK, FLAT-BOTTOM	AR
2	2104.81	DISH RACK, PEG	AR
3	2104.82	STRAINER, LINE 1/2" BRONZE (OPTIONAL)	1
4	2104.83	VALVE, PRESSURE REGULATING (PRV)	1