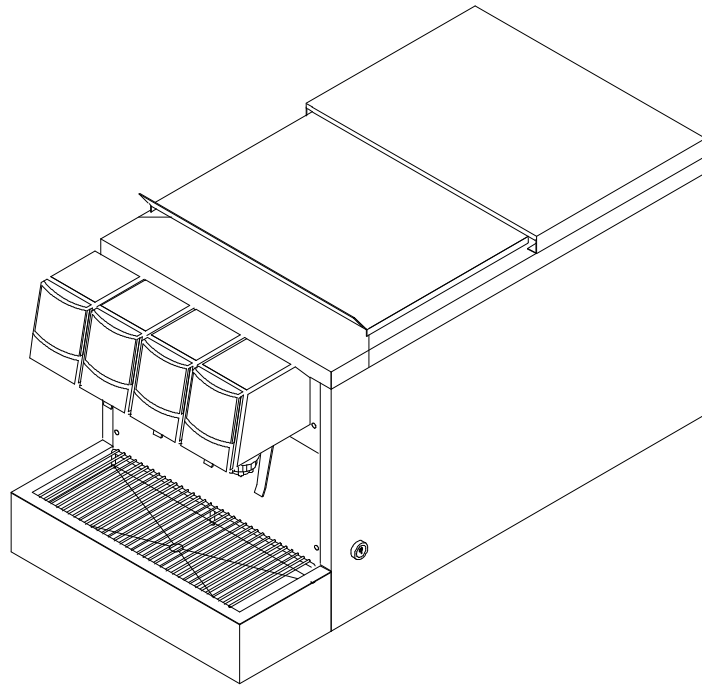




IMI CORNELIUS INC.
One Cornelius Place
Anoka, MN. 55303-6234
Telephone 1-800-238-3600
Facsimile 1-800-258-0255

ILLUSTRATED PARTS LIST

DEVILLE POST-MIX UNIT 1530

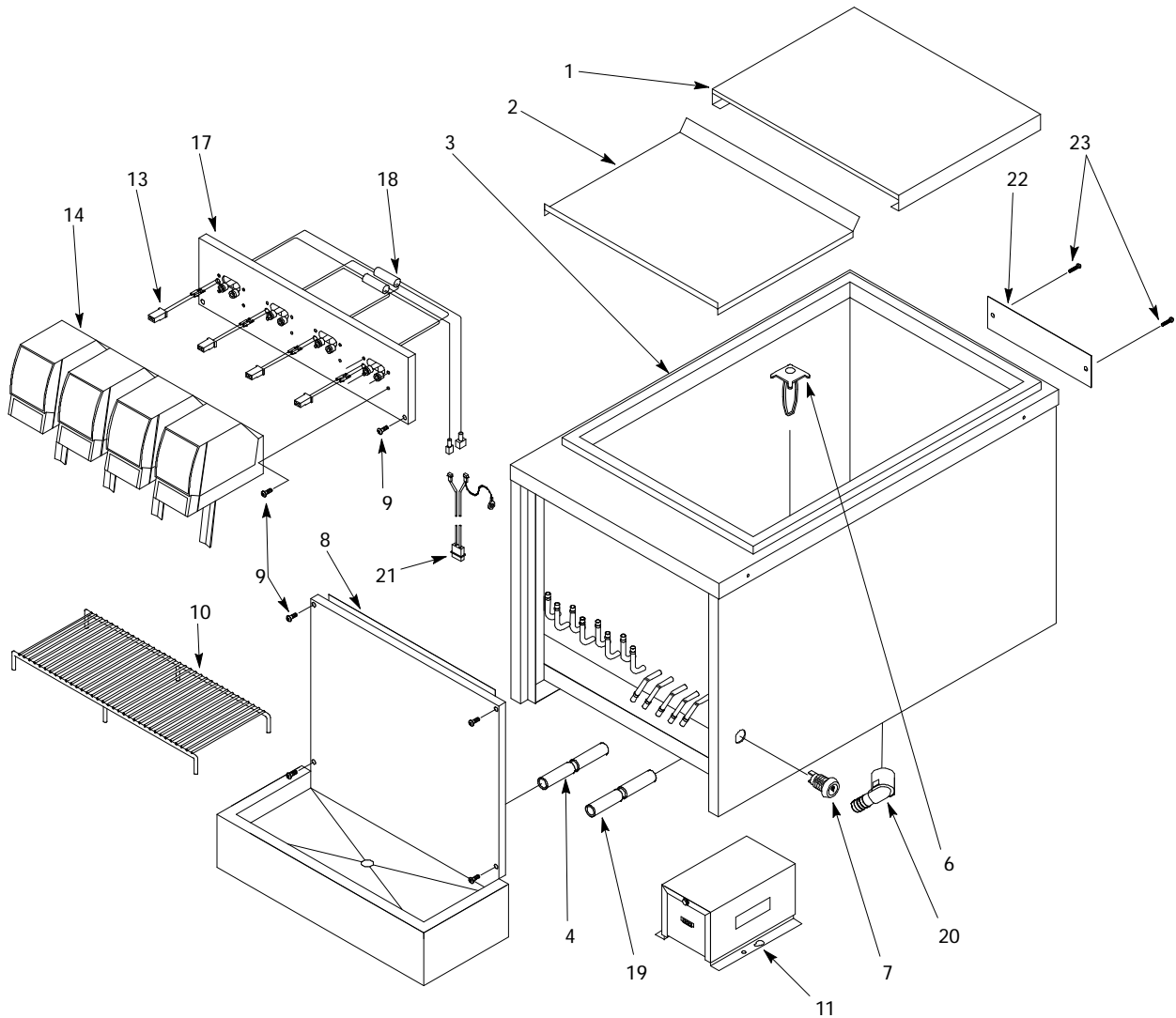




IMI CORNELIUS INC.
One Cornelius Place
Anoka, MN. 55303-6234
Telephone 1-800-238-3600
Facsimile 1-800-258-0255

ILLUSTRATED PARTS LIST

DEVILLE POST-MIX UNIT 1530





IMI CORNELIUS INC.
 One Cornelius Place
 Anoka, MN. 55303-6234
 Telephone 1-800-238-3600
 Facsimile 1-800-258-0255

ILLUSTRATED PARTS LIST

DEVILLE POST-MIX UNIT 1530

Item No.	Part No.	Name
1	*63000370	Lid, Upper
	**162277000	Lid, Upper
2	*63000376	Lid, Lower
	**162275000	Lid, Lower
3	*630200369	Rim
	**162280000	Bin Ass'y
4	164030003	Hose, Drain
5	**167583000	Clamp, Drain Hose (Not Shown)
6	*162865010	Strainer
7	163545001	Switch
8	*63000364	Drip Tray Ass'y
	**162678000	Drip Tray Ass'y
9	*318308000	Machine Screw, No. 10-32 By 1-In. Long
	**	Machine Screw, No. 10-32 By 3/4-In. Long
10	*630200399	Cup Rest
	**163300300	Cup Rest
11	*163408010	Power Supply, 115/24V
12	**164127	Snap Bushing (Not Shown)

Item No.	Part No.	Name
13	163518000	Connector
14	*2300	Dispensing Valve Ass'y
	**167480001	Dispensing Valve Ass'y
15	**	Machine Screw, No. 10-32 By 1 1/2-In. Long (Not Shown)
16	**	Machine Screw, No. 10-32 By 3/8-In. Long (Not Shown)
17	*630200378	Panel, Valve, 4-Flavor
	**162002001	Panel, Valve, 4-Flavor
18	*167964018	Wire Harness
19	*165304000	Hose, Drain
20	*630900345	Elbow, Drain, 3/4-FPT By 1/2-Barb
21	*630300008	Wire Harness, Tower to Transformer
22	*630200368	Access Plate
23	*07578	Screw, No. 8-32 By 3/8-In. Long
24	**163728000	Manifold Ass'y (Not Shown)
25	**167712005	Tubing Ass'y (Not Shown)
26	**167712002	Tubing Ass'y (Not Shown)
27	**167707007	Tubing Ass'y (Not Shown)

* Unit Model Number 631100017

** Unit Model Number 162365006

(No Asteric Part is Common to Both Models)