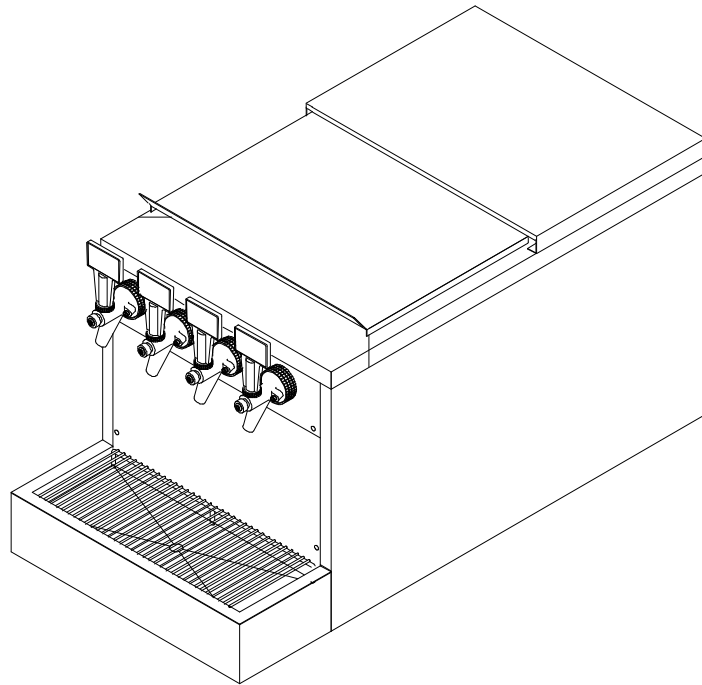




IMI CORNELIUS INC.
One Cornelius Place
Anoka, MN. 55303-6234
Telephone 1-800-238-3600
Facsimile 1-800-258-0255

ILLUSTRATED PARTS LIST

DEVILLE PRE-MIX UNIT 1530





IMI CORNELIUS INC.
 One Cornelius Place
 Anoka, MN. 55303-6234
 Telephone 1-800-238-3600
 Facsimile 1-800-258-0255

ILLUSTRATED PARTS LIST

DEVILLE PRE-MIX 1530

Item No.	Part No.	Name
1	*630000370	Lid, Upper
	**162277000	Lid, Upper
2	*630000376	Lid, Lower
	**162275000	Lid, Lower
3	*630200369	Rim
	**162280000	Bin Ass'y
4	164030003	Hose, Drain
5	**167583000	Clamp, Drain Hose (Not Shown)
6	*165304000	Hose, Drain
7	*630000364	Drip Tray Ass'y
	**162678000	Drip Tray Ass'y
8	*318308000	Machine Screw, No. 10-32 By 1-In. Long
	**	Machine Screw, No. 10-32 By 3/4-In. Long

Item No.	Part No.	Name
9	*630200399	Cup Rest
	**163300300	Cup Rest
10	*630200372	Panel, Valve, 4-Flavor
	**162002003	Panel, Valve, 4-Flavor
11	252539039	Dispensing Valve Ass'y
12	151741039	Knob
13	150794100	Yoke Ass'y
14	150238000	Screw, Yoke
15	**	Machine Screw, No. 10-32 By 3/8-In. Long (Not Shown)
16	*162865010	Strainer
17	*630900345	Elbow, Drain
18	*07578	Screw, No. 8-32 By 3/8-In. Long
19	*630200368	Access Plate

* Unit Model Number 631100016

** Unit Model Number 162650007

(No Asteric Part is Common to Both Models)