

PROJECT	QUANTITY	ITEM NO
---------	----------	---------

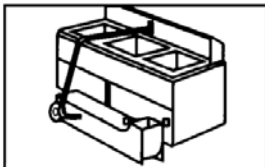
# Fryer shortening shuttle

MODEL **FS-100**  
**FS-200**



Fryer shortening shuttle model FS-200

1. Drain used oil from fryer.
2. Transport to appropriate container.
3. Set spout on rim.
4. Tip end up to empty shuttle.



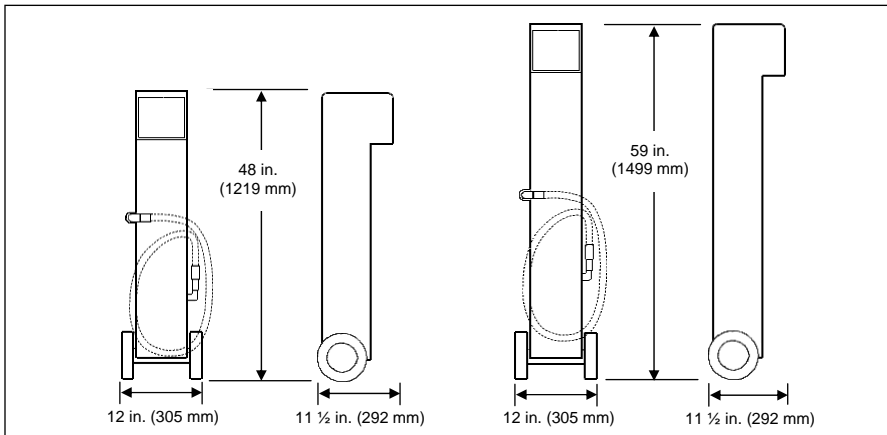
## General Information

Shortening shuttles are special containers designed specifically for draining, transporting and disposing of hot frying oil from open fryers. When properly used, the shuttle helps avoid spills and other safety concerns by eliminating the need to lift and carry hot oil in open containers.

- FS-100 spout designed to height of standard 55 gallon drum.
- FS-200 spout designed for dumpster containers up to 48 in. (122 cm) high.

## Standard features

- Lightweight aluminum body for easy handling.
- Flexible drain hose with quick disconnect for convenience.
- Available with male or female disconnects.
- Reinforced, end-mounted wheel assembly with large 8 in. (203 mm) wheels for easy pivoting and transport.
- Spout provides leverage for pivoting wheel end up—*employees never have to lift loaded shuttle.*
- Sealed hardwood handle minimizes heat transfer.
- Stainless steel wall hook mounts shuttle securely against wall in upright position when not in use.



## Bidding Specifications

- Provide Henny Penny shortening shuttle for use in safely draining, transporting and disposing of spent hot frying oil. Model FS-100 is sized for disposal into standard 55 gallon drums; model FS-200 is sized for larger dumpster containers.
- Containment body shall be constructed of integral lightweight aluminum.
- Unit shall include flexible hose with quick disconnect fitting for use with all Henny Penny fryer filtration-equipped fryers.
- Unit shall in. 8-inch (203 mm) wheel assembly.

### Dimensions

	FS-100	FS-200
Height:	48 in. (1219 mm)	59 in. (1499 mm)
Width:	12 in. (305 mm)	12 in. (305 mm)
Depth:	11 1/2 in. (292 mm)	11 1/2 in. (292 mm)

### Crated dimensions

Length:	14 7/8 in. (378 mm)	15 3/4 in. (400 mm)
Depth:	12 1/8 in. (308 mm)	15 in. (381 mm)
Height:	49 1/4 in. (1251 mm)	59 1/4 in. (1505 mm)
Volume:	5.14 cu. ft. (0.15 m <sup>3</sup> )	8.1 cu. ft. (.23 m <sup>3</sup> )

### Net weight

FS-100	25 lbs. (11.3 kg)
FS-200	30 lbs. (13.6 kg)

### Crated weight

FS-100	37 lbs. (16.8 kg)
FS-200	29 lbs. (13.2 kg)

### Capacity

	hot shortening
FS-100:	60 lbs./8.5 gal (27.2 kg/32.2 l)
FS-200:	70 lbs./9.9 gal (31.8 kg/37.5 l)

APPROVED    APPROVED AS NOTED    RESUBMIT

AUTHORIZED SIGNATURE

DATE

**HENNY PENNY**  
Global Foodservice Solutions

Henny Penny Corporation  
PO Box 60 Eaton OH 45320 USA

+1 937 456.8400   800 417.8417  
+1 937 456.8434 Fax   800 417.8434 Fax

[www.hennypenny.com](http://www.hennypenny.com)