

Ice-O-Matic[®]

**SERVICE PARTS MANUAL
ICE ONLY DISPENSERS
MODELS-IOD150, IOD200 AND IOD250**



Ice-O-Matic
11100 East 45th Ave
Denver, Colorado 80239
Part Number 9081306-01

Date 1/09

IOD150, IOD200, IOD250 Dispenser

This parts list contains the service parts available for the IOD150-200-250 dispensers

Check the model number on the data plate and refer to the correct listing for the specific component.

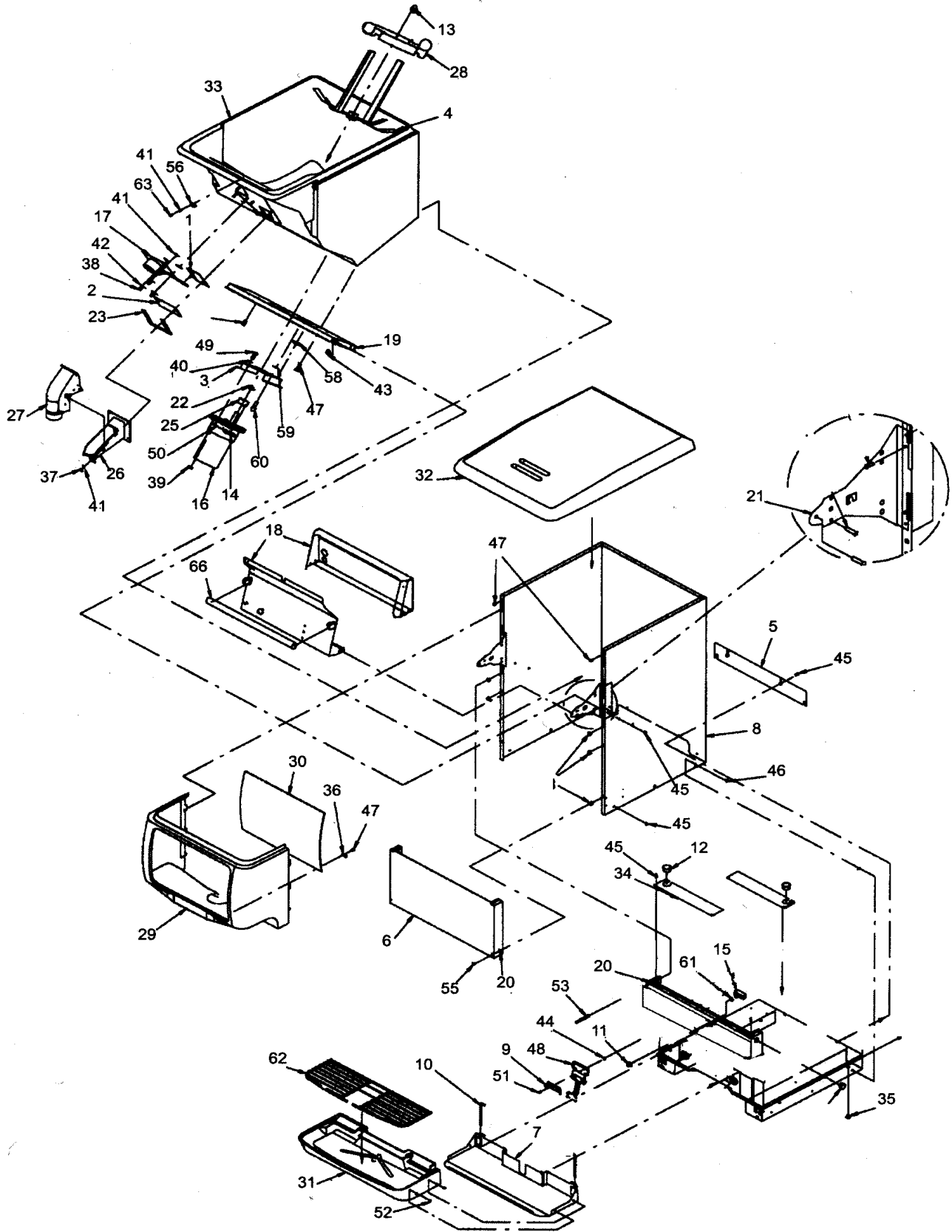
Check carefully that the correct part is identified and ordered.

Table of Contents	Page 1
Cabinet and Dispenser Part Numbers, IOD150	Page 2 - 3
Cabinet and Dispenser Part Numbers, IOD200 and IOD250	Page 4 - 5
Rotary Solenoid	Page 6
Electrical Box, IOD150	Page 7
Electrical Box, IOD200 and IOD250	Page 8
Wiring Diagram	Page 9

Ice-O-Matic
11100 East 45th Ave.
Denver Co. 80239
800-423-3367

The IOD Service manual is available separately, Part number 9081305-01

IOD150, IOD200 and IOD250 Service Parts IOD 150 Cabinet and Dispenser

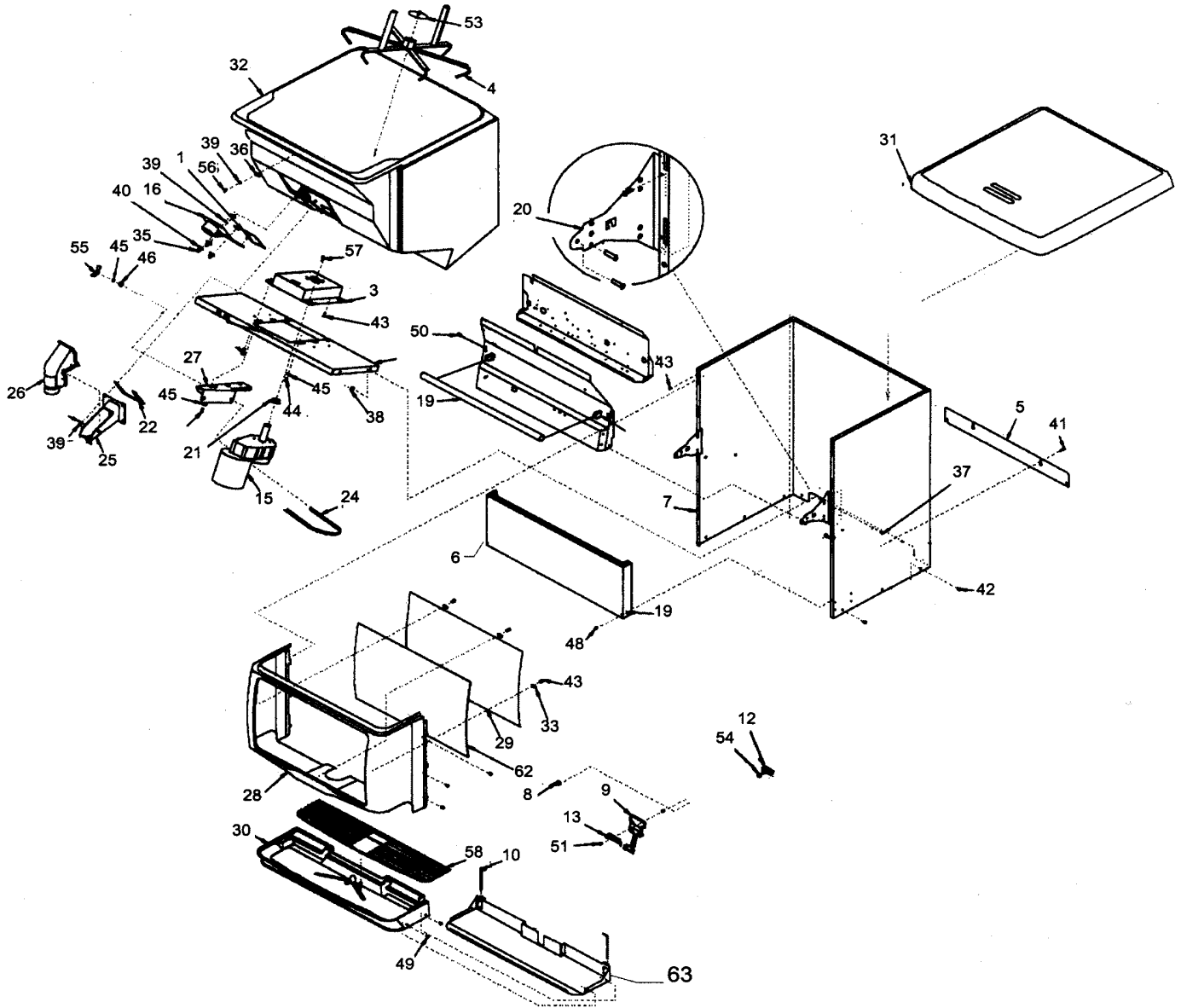


IOD150, IOD200 and IOD250 Service Parts

IOD 150 Cabinet and Dispenser

Item			Item		
No.	Part No.	Description	No.	Part No.	Description
1	1011342-12	Gate Slide	34	1011342-07	Baffle
2	1011342-144	Gate Restrictor	35	1011342-62	Plug
3	1011342-145	Plate, Motor Mounting	36	1011342-63	Clip, White
4	1011342-06	Agitator Assy	37	1011342-76	Hex Nut, No. 10-32
5	1011342-18	Cover, Rear Wrapper	38	1011342-77	Hex Nut, No. 10-32, Nyloc
6	1011342-141	Lower Panel (F/Drip Tray)	39	1011342-78	Hex Nut, 1/4-20
7	1011342-05	Extension Assy, Drip Tray	40	1011342-79	Washer, .255 I.D.
8	1011342-17	Wrapper (ED 150)	41	1011342-81	Washer, No. 10, .219 I.D.
9	1011342-13	Retainer, Lever, Ice Dispense	42	1011342-83	Washer, .218 I.D.
10	1011342-02	Pin, Drip Tray Mounting	43	1011342-85	Hex Nut, No. 8-32
11	1011342-29	Boot, Switch	44	1011342-86	Insert, Threaded, No. 8-32
12	1011342-49	Snap Bushing	45	1011342-89	Machine Screw, Phil
13	1011342-03	Retainer, Agitator	46	1011342-90	Machine Screw, Phil
14	1011342-25	Agitator Motor Heater, 120 V	47	1011342-91	Sheet Metal Screw, Phil
15	1011342-26	Dispense Switch	48	1011342-08	Lever, Cup Dispense
16	1011342-133	Agitator Motor, 120 Volt	49	1011342-93	Machine Screw, Phil Rd Hd,
17	1011342-38	Solenoid Assembly, 120 Volt	50	1011342-94	Spring, Motor Heater
18	1011342-128	Electrical Box Ass'y, 120 V	51	1011342-140	Thread Forming Screw, Phil
19	1011342-16	Bracket, Motor Mounting	52	1011342-149	Clip, Push On
20	1011342-103	Washer, Captivating No. 8	53	1011342-95	Machine Screw, Phil
21	1011342-115	Hinge, Gusset	54	1011342-96	Hose Clamp, Worm
22	1011342-53	Seal, Agitator Motor Shaft	*55	1011342-101	Machine Screw, Phil
23	1011342-54	Gasket, Gate	56	1011342-74	Clip, Black
*24	1011342-55	Plug (120 Volt Models Only)	*57	1011342-104	Leg
25	1011342-57	Gasket, Motor Shaft	58	1011342-98	Receptacle, 1/4 Turn
26	1011342-139	Ice Chute	59	1011342-99	Retainer, 1/4 Turn
27	1011342-69	Cover, Ice Chute	60	1011342-100	Stud Wing Head, 1/4 Turn
28	1011342-73	Agitator Disk	61	1011342-97	Spacer, Switch
29	1011342-11	Merchandiser, S.S. (IOD 150)	62	1011342-150	Cup Rest
29	1011342-64	Merchandiser, Black (IOD 150)	63	1011342-111	Shoulder Screw, No. 8-32
30	1011342-58	Panel, Plexiglass, Inner	*64	1011342-51	Adapter, 1" Barb x 3/4 MPT
31	1011342-72	Drip Tray, Black , Insulated	*65	1011342-50	Adapter, 3/4 Soc x 3/4 FPT
32	1011342-68	Lid, Dispenser, Black	66	1011342-35	Bulb, 18" daylight
33	1011342-56	Hopper Assy., Foamed	67	1011342-102	Graphic IOD150 (Not Shown)
			*		Not shown

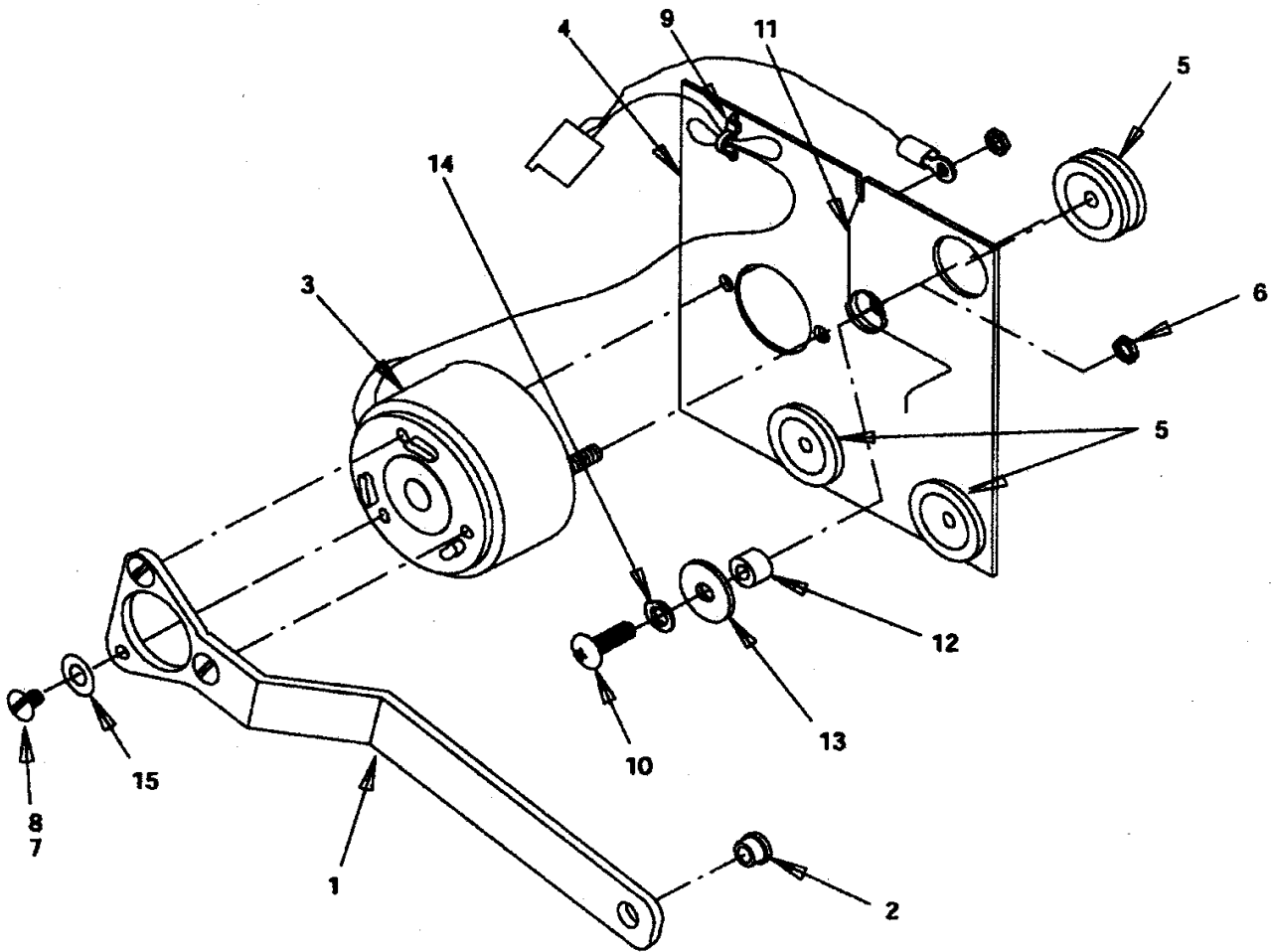
IOD150, IOD200 and IOD250 Service Parts Cabinet and Dispenser Parts, IOD200 and IOD 250



IOD150, IOD200 and IOD250 Service Parts IOD 200 and IOD250 Cabinet and Dispenser

Item			Item		
No.	Part No.	Description	No.	Part No.	Description
1	1011342-12	Slide, Gate	34	1011342-76	Hex Nut, No. 10-32
*2	1011342-144	Restrictor, Gate	35	1011342-77	Hex Nut, No. 10-32, Nyloc
3	1011342-146	Plate, Motor Mount	36	1011342-74	Tab, Retaining
4	1011342-22	Agitator	37	1011342-92	Screw, No. 10-32 By 3/8-In.
5	1011342-21	Cover, Rear Wrapper	38	1011342-75	Hex Nut, No. 10-32, Keps
6	1011342-142	Panel, Lower Front	39	1011342-143	Washer, No. 10
7	1011342-20	Cabinet	40	1011342-83	Washer,
8	1011342-29	Boot, Switch	41	1011342-89	Screw, No. 8-32 By 3/8-In.
9	1011342-08	Dispense Lever, Short	42	1011342-90	Screw, No. 8-32 By 1/2-In.
10	1011342-02	Pin, Drip Tray	43	1011342-91	Screw, No. 8 By 1/2-In. Long
*11	1011342-25	Agitator Motor Heater 115 V	44	1011342-107	Screw, 3/8-16 By 3/4-In. Long
12	1011342-26	Dispense Switch	45	1011342-84	Washer
13	1011342-13	Retainer, Ice Dispense lever	46	1011342-110	Washer,
14	1011342-33	Bulb, Florescent	47	1011342-94	Spring, Motor Heater
15	1011342-41	Agitator Motor 120 Volt	48	1011342-101	Screw, No. 8-32 By 1 1/8-In.
16	1011342-38	Solenoid Ass'y 120 Volt	49	1011342-149	Clip, Push-on
17	1011342-125	Elec Box Ass'y, 120V IOD 200	50	1011342-121	Brace, Reflector
	1011342-126	Elec Box Ass'y, 120V IOD 250	51	1011342-140	Sheet Mtl Screw, #10 x 1/2.
18	1011342-19	Bracket, Motor Mount	*52	1011342-104	Leg
19	1011342-103	Washer, Captivating No. 8	53	1011342-03	Retainer, Agitator
20	1011342-115	Hinge Gusset	54	1011342-97	Spacer, Switch
21	1011342-70	Seal, Motor	55	1011342-109	Wing Nut, 3/8-16
22	1011342-54	Gasket, Gate	56	1011342-111	Shoulder Screw, No. 8-32
*23	1011342-55	Plug	57	1011342-106	Shoulder Screw, 1/4-20
24	1011342-105	Strap, Motor	58	1011342-108	Cup Rest
25	1011342-139	Ice Chute	*59	1011342-51	Adapter, 1-In. Barb By 3/4 MPT (For Drip Tray Drain)
26	1011342-69	Ice Chute Cover	*60	1011342-50	Adapter, 3/4 Soc By 3/4 FPT (For Drip Tray Drain)
27	1011342-04	Motor Mount	*61	1011342-96	Hose Clamp (For Drip Tray Drain)
28	1011342-66	Merchandiser, Black (IOD250)	62	1011342-151	Graphic, IOD200
	1011342-65	Merchandiser, Black , (IOD200)	1011342-152	Graphic, IOD250	
	1011342-09	Merchandiser, S.S., (IOD250)	63	1011342-122	Drip tray extension
	1011342-10	Merchandiser, S.S., (IOD200)	*		Not shown
29	1011342-60	Panel, Inner			
30	1011342-71	Drip Tray, Black , Insulated			
31	1011342-67	Lid, Dispenser, Black			
32	1011342-61	Hopper Ass'y, Insul (ID250)			
	1011342-59	Hopper Ass'y, Insul (ID200)			
33	1011342-63	Tab, Retaining			

IOD150, IOD200 and IOD250 Service Parts Rotary Solenoid

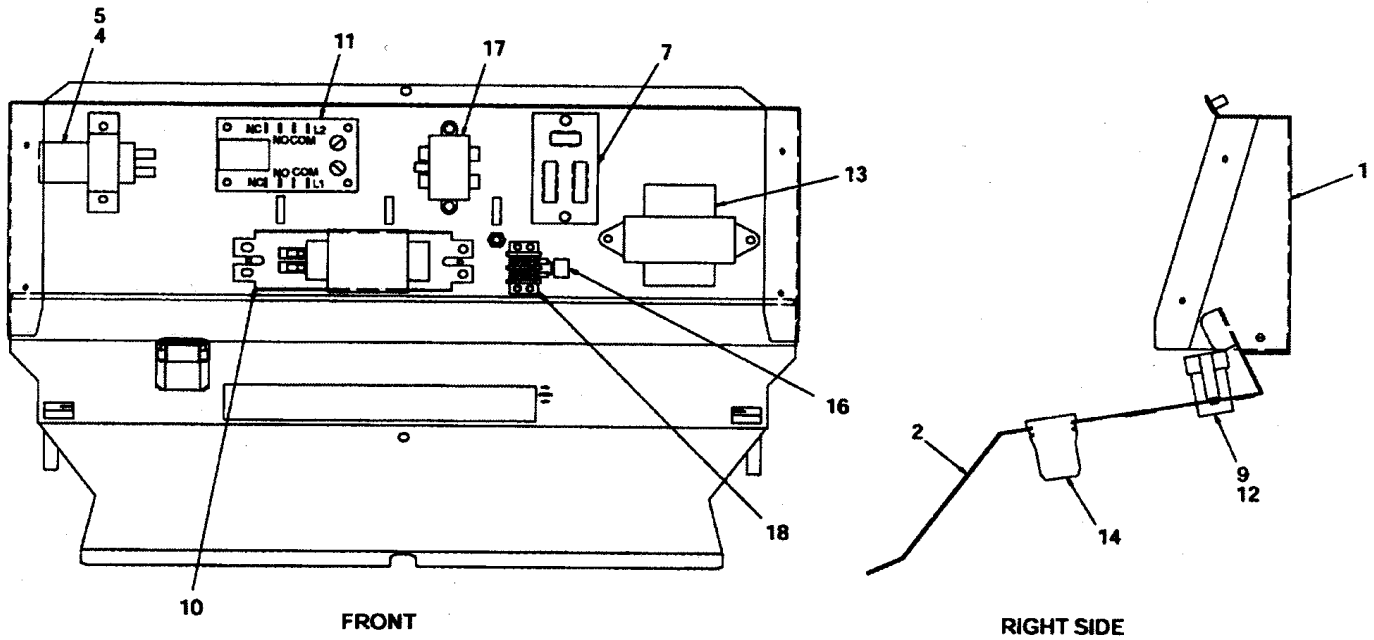


Item

No	Part Number	Description
1	1011342-15	Arm, Gate Lift
2	1011342-48	Bearing, Gate Arm
3	1011342-39	Solenoid, 120 Volts
	1011342-42	Solenoid, 220-240 Volts
4	1011342-14	Plate, Solenoid Mounting
5	1011342-47	Isolator
6	1011342-75	Hex Nut, No. 10-32
7		Locktite
8	1011342-87	Screw, No. 8-32 By 1/4-In. Long
9	1011342-46	Tie Cable
10	1011342-88	Screw, No. 8-32 By 5/8-In. Long
11	1011342-102	Spring, Solenoid Arm
12	1011342-52	Spacer
13	1011342-83	Washer, .218 I.D. By .875 O.D.
14	1011342-82	Lockwasher, No. 10
15	1011342-80	Flatwasher, No. 8

IOD150, IOD200 and IOD250 Service Parts

Electrical Box IOD150



Item

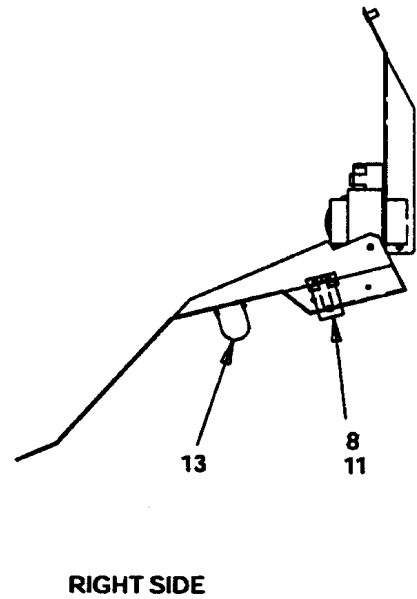
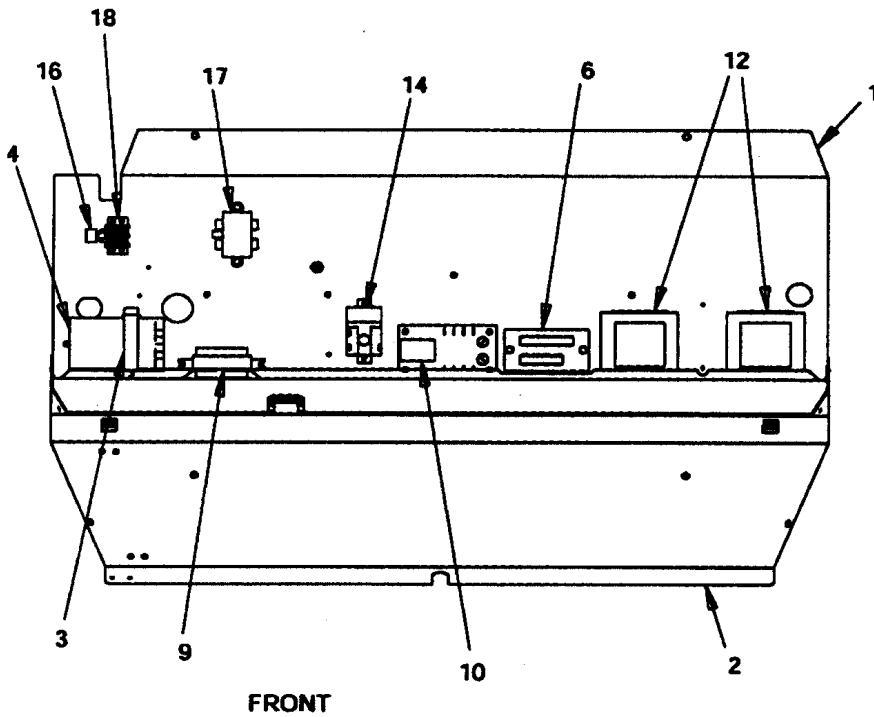
No	Part number	Description
1	1011342-113	Electrical Box (IOD 150)
2	1011342-114	Reflector, Panel (IOD 150)
3	N/A	N/A
4	1011342-23	Clamp, Capacitor, 120 Volts
5	1011342-24	Capacitor, 120 Volt
6	N/A	N/A
7	1011342-30	Terminal Board
8	N/A	N/A
9	1011342-31	Starter
10	1011342-32	Ballast, 120 Volt
11	1011342-138	Timer, Agitation, 120 Volt
12	1011342-124	Socket, Starter
13	1011342-36	Transformer, 120 Volts
14	1011342-123	Lampholder

Not Shown:

1011342-40 Relay, Start, 120 Volts

IOD150, IOD200 and IOD250 Service Parts

Electrical Box IOD200 and IOD250



Item No	Part number	Description
1	1011342-119	Electrical Box (IOD250)
	1011342-117	Electrical Box (IOD200)
2	1011342-120	Reflector Panel (IOD250)
	1011342-116	Reflector Panel (IOD200)
3	1011342-118	Clamp, Capacitor
4	1011342-148	Capacitor, Agitator Motor
5	1011342-28	Power Cord, 120 Volts
6	1011342-27	Terminal Board, 120 Volts
7	N/A	Not Used
8	1011342-31	Starter
9	1011342-32	Ballast, 120 Volts
10	1011342-138	Agitation Timer, 120 Volts

Item No	Part number	Description
11	1011342-124	Socket, Starter
12	1011342-36	Transformer, 120 Volts
13	1011342-123	Lampholder
14	1011342-40	Relay, Start, 120 Volts
15	N/A	Not Used
16	N/A	Not Used
17	N/A	Not Used
18	N/A	Not Used

IOD150, IOD200 and IOD250 Service Parts Schematic Diagram

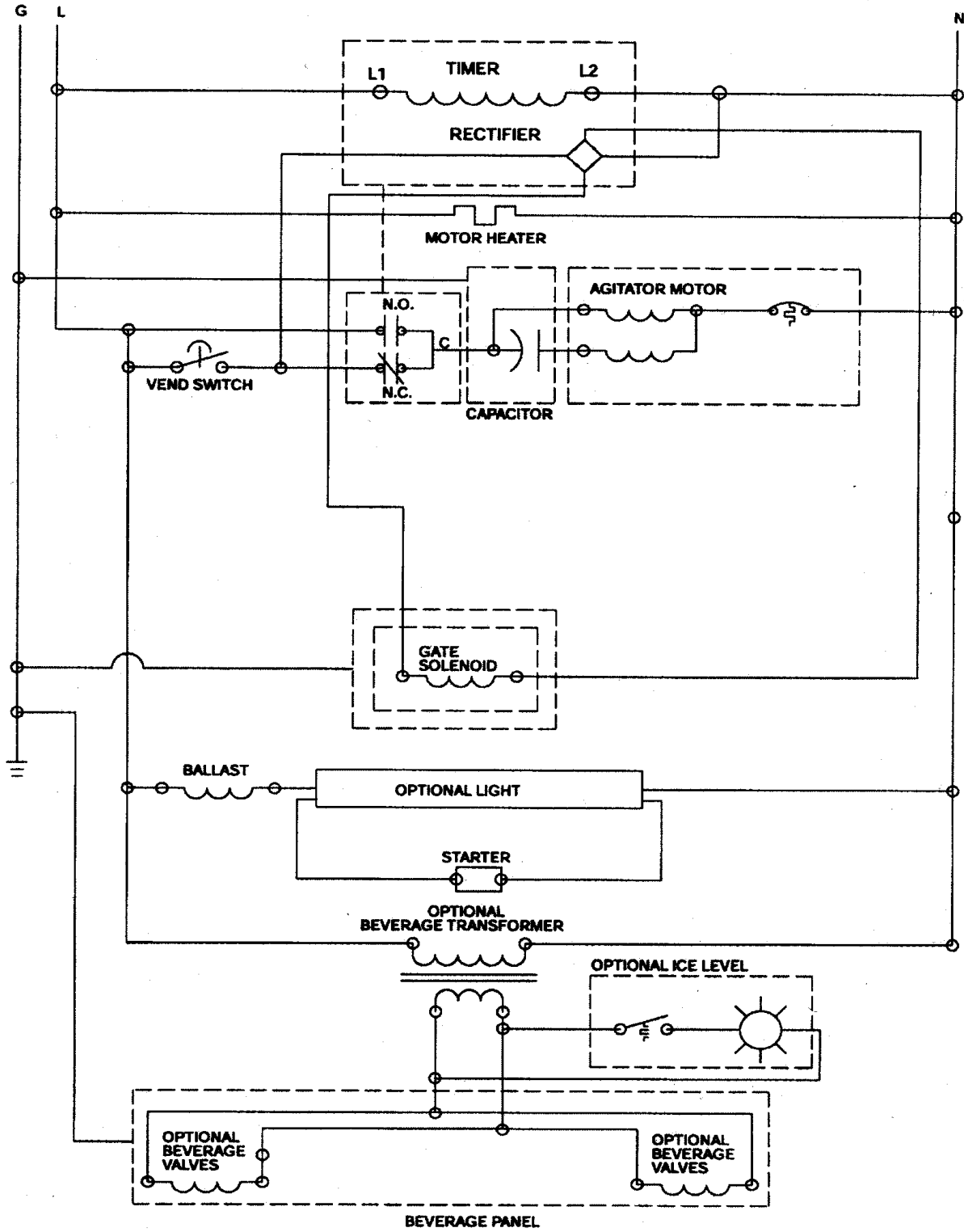


FIGURE 8. WIRING SCHEMATIC (120 V UNIT)