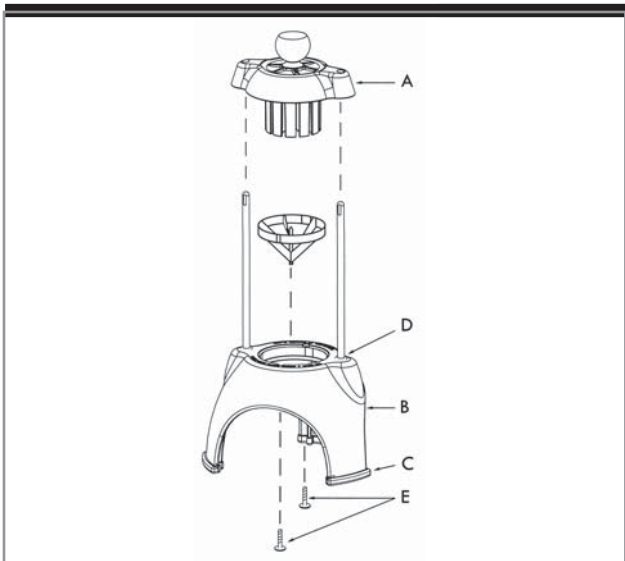


See Page 78 For Blade Assemblies

**Tomato Pro/Econo Pro Parts**

Diagram Letter	Cat. No.	Description	List Price Each
A	047	Blade Block Pin	\$1.60
B	060	Rubber Foot (Old Style)	\$1.30
B	303	Rubber Foot, Deep (New Models)	\$1.30
C	0658	Rubber Seal (NSF Models)	\$0.70
D	0660	Blade Block Screw	\$0.90
D	0674	Blade Block Bolts	\$1.80
E	0661*	Pusher Head Casting (Old Style)	\$66.60
F	0662	3/16" & 3/8" Pusher Head, Finger & Spacer	\$158.40
F	0663	1/4" Pusher Head Finger & Spacer	\$146.70
G	0664	Bridge Casting	\$86.50
H	0666L	Left Guide Rod	\$26.10
I	0666R	Right Guide Rod	\$26.10
J	0667	Base Casting	\$92.40
K	0670	Platform- for Tomato Pro models w/ Safety Guard	\$41.00
K	0671	Platform	\$40.80
K	0686	Platform (Econo Pro w/ Safety Guard)	\$90.10
L	0673	Bridge Casting Set Screw	\$5.20
M	0676	Bridge to Main Frame Retaining Screw	\$1.80
N	0679	Pivot Post, Safety Guard (Old Style)	\$39.40
O	0680	Positive Stop Pivot Arm	\$18.20
P	0682	Safety Guard Assembly, (New Style Tomato Pro)	\$18.80
P	0684	Safety Guard, (New Style Econo Pro)	\$16.30
Q	0687	Pusher Head Casting (NSF Models)	\$54.20
R	0688	End Bumper, Positive Stop	\$3.50
S	2319	Rubber Foot (Econo Pro)	\$2.10
T	305	"O" Ring	\$0.90
U	356	Wing Nut, (New Style Pusher Head)	\$1.80
V	369211	Thumb Screw	\$3.30
W	519	Acorn Nut, (Old Style Pusher Head)	\$3.70
X	EC 0666	Guide Rod (Econo Pro ONLY)	\$23.40
Y	EC 0671	Platform (Econo Pro ONLY)	\$99.10

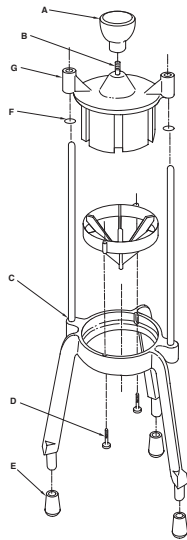
\*Note: Old style (two studs) pusher head assembly is no longer available. The new style (one stud) pusher head assembly must be used with the new style pusher head casting, P/N 0687.



**Wedgemaster® II Parts**

Diagram Letter	Cat. No.	Description	List Price Each
A	379107	Pusher Assembly, 6/12 Section	\$54.48
A	379108	Pusher Assembly, 4/8 Section	\$53.40
B	379109	Base Assembly	\$91.10
C	379103	Foot Cover	\$4.46
D	305	"O" Ring	\$0.90
E	702	Blade Screw	\$1.60

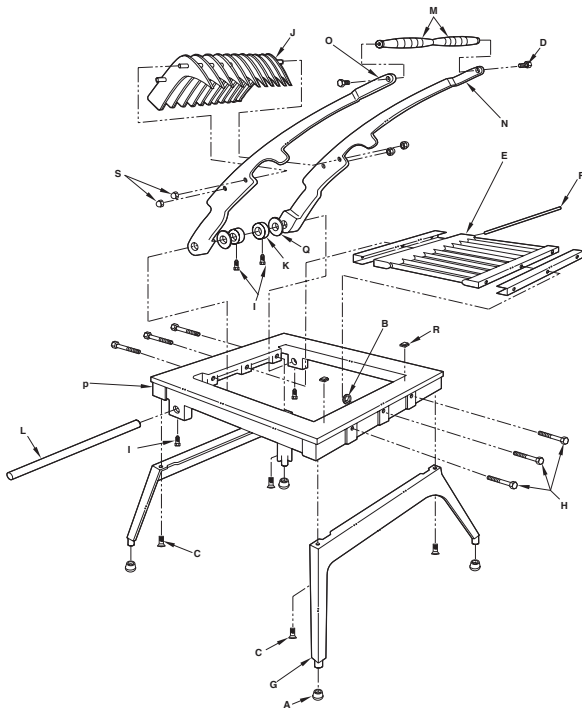
\*See Page 75 For Blade Assemblies.



See Page 75 For Blade Assemblies

**Wedgemaster®/Coremaster Parts**

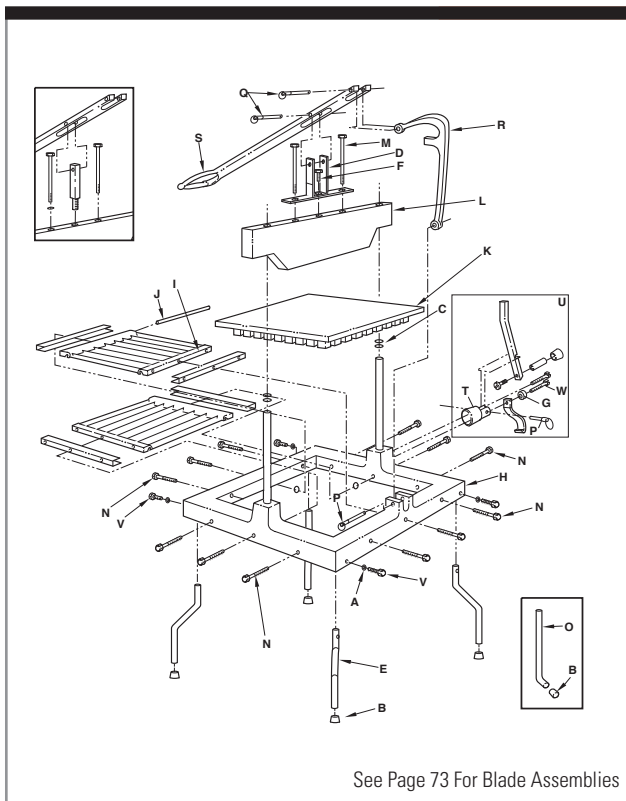
Diagram Letter	Cat. No.	Description	List Price Each
A	0304	Red Knob Handle	\$6.90
B	2321	Aluminum Nipple	\$2.50
C	301	Base Housing & Rod Assembly	\$86.70
D	302	Blade Screw	\$1.80
E	303	Rubber Foot	\$1.30
F	305	"O" Ring	\$0.90
G	315	Head Assembly Wedgemaster®-10 Section	\$70.90
G	316	Head Assembly Wedgemaster®-6 Section	\$70.90
G	318	Head Assembly Wedgemaster®-8 Section	\$70.90
G	324	Head Assembly Wedgemaster®-12 Section	\$83.30
G	326	Head Assembly Coremaster-6 Section	\$96.10
G	328	Head Assembly Coremaster-8 Section	\$91.70
Not Shown	350	Safety Guard, Model 808SG	\$23.90



See Page 73 For Blade Assemblies

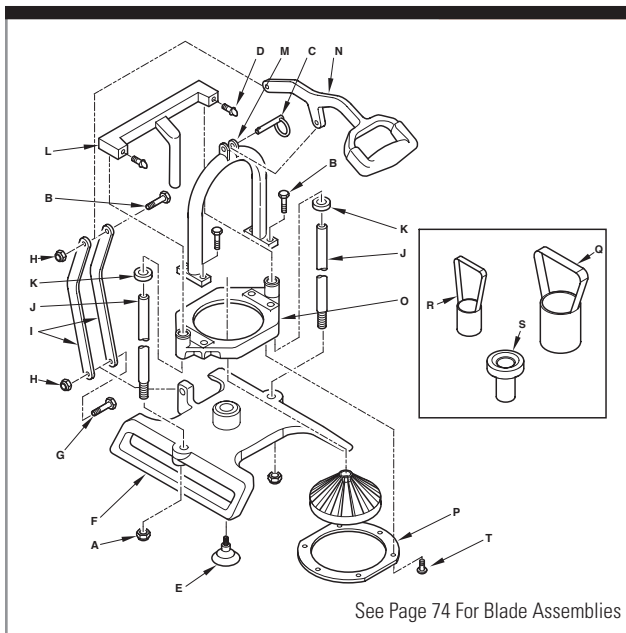
**Lettuce King® I Parts**

Diagram Letter	Cat. No.	Description	List Price Each
A	060	Rubber Foot (Old Style)	\$1.30
A	303	Rubber Foot, Deep (New Models)	\$1.30
B	0655	Neoprene Gasket	\$0.90
C	414	Screw Fillister Head, 1/4-20 x 3/4"	\$2.90
D	415	Screw Hex Head, 1/4-20 x 7/8"	\$0.90
E	420	Blade Block	\$12.40
F	424	Blade Block Pin	\$3.70
G	426	Leg Casting (Front/Back)	\$69.20
H	427	Blade Block Screw 1/4-20 x 2"	\$1.80
I	4422R	Screw Square Head	\$2.50
J	452	3/4" Pusher Head	\$138.50
J	482	5/8" Pusher Head	\$117.50
J	483	1/4" Pusher Head	\$169.80
J	379062	3/16" Pusher Head	\$137.60
K	453	Pusher Head Locking Collar w/ Set Screw	\$13.50
L	454	Pusher Head Pivot Rod	\$14.30
M	455	Pusher Head Handle	\$34.80
N	456	Right Pusher Head Side Arm Casting	\$42.90
O	457	Left Pusher Head Side Arm Casting	\$42.90
P	468	Base Casting	\$146.50
Q	490	Nylon Washer	\$0.90
R	506	Pusher Head Bumper	\$1.80
S	519	Acorn Nut, 1/4"	\$3.70
Not Shown	4425	Brush	\$18.00



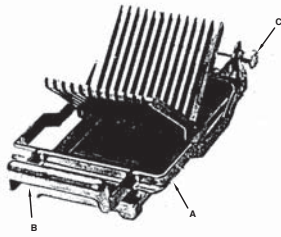
**Lettuce King® IV Parts**

Diagram Letter	Cat. No.	Description	List Price Each
A	0658	Rubber Seal	\$0.70
B	303	Rubber Foot	\$1.30
C	305	"O" Ring	\$0.90
D	379017	Handle Bracket	\$46.00
E	379018	Leg (New Style- Do Not Intermix w/ Old Style)	\$18.40
F	379019	Screw, Stainless, Hex Head 3/8-24 x 1"	\$2.00
G	379020	Spacer	\$2.90
H	4401	Main Frame w/ Guide Rods	\$231.50
I	4402	Blade Block	\$11.90
J	4403	Blade Pin	\$7.20
K	4404	Pusher Head	\$149.60
L	4405	Head Guide	\$90.40
M	4406	Screw Hex Head, 1/4-20 x 4 1/2"	\$1.80
N	4407	Screw Hex Head, 1/4-20 x 1 3/8"	\$2.10
O	4409	Leg (Old Style- Do Not Intermix w/ New Style)	\$19.20
P	4411	Pull Pin w/ Ring, Short 1 1/4"	\$10.30
Q	4412R	Pull Pin w/ Ring, Long 2 3/4"	\$9.50
R	4413	Operating Arm Linkage	\$39.40
S	4414R	Operating Handle	\$62.70
T	4416	Safety Pivot Base	\$7.20
U	4417	Safety Latch Assembly	\$32.10
V	4424	Screw Hex Head, 1/4-20 x 1 1/2"	\$2.50
W	4427	Screw 1/2-20 x 1 1/4"	\$2.50
Not Shown	4425	Brush	\$18.00



**InstaBloom® Parts**

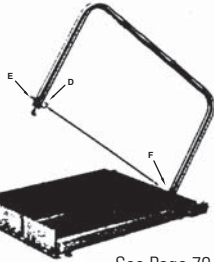
Diagram Letter	Cat. No.	Description	List Price Each
A	353	Nut, Hex Nylon Lock	\$0.90
B	415	Screw, Hex Head 1/4-20 x 7/8"	\$0.90
C	4411	Pull Pin	\$10.30
D	369211	Thumbscrew	\$2.80
E	5108	Rubber Foot-Suction	\$2.20
F	379044	Base	\$193.60
G	379045	Screw, Shoulder, Slotted 1/4" diameter	\$8.50
H	379046	Nut, Lock 10-32	\$2.70
I	379047	Link, Handle	\$21.00
J	379048	Guide Rod, 1/2" diameter	\$15.10
K	379049	Washer 1/2" I.D., Silicone Rubber	\$4.00
L	379050	Core Pusher	\$55.30
M	379051	Lift Bracket	\$60.70
N	379052	Handle	\$52.70
O	379054	Blade Holder w/ Bearings	\$87.00
P	379055	Blade Retainer	\$23.60
Q	379056	Large Core Tool (2 1/4" diameter)	\$39.50
R	379057	Small Core Tool (1 1/2" diameter)	\$39.40
S	379058	Adapter	\$23.60
T	350247	Screw 10-32 x 3/8"	\$11.20



See Page 79 For Replacement Wires

### CubeKing™ Parts

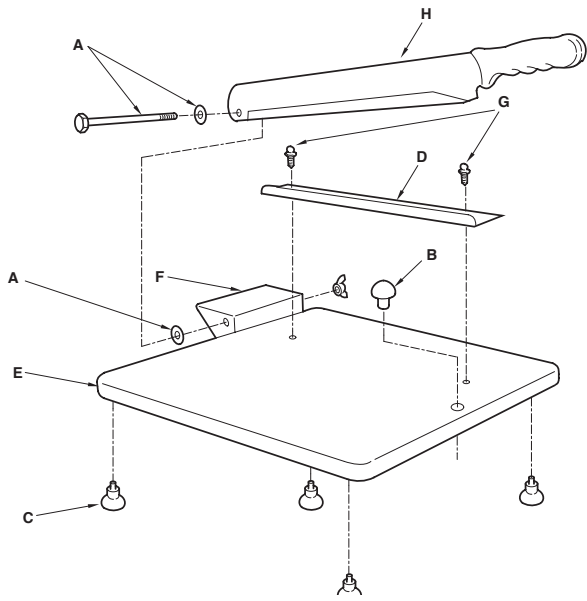
Diagram Letter	Cat. No.	Description	List Price Each
A	1817	3/4" Slice - Cutting Bow Assembly	\$181.20
A	1818	3/8" Slice - Cutting Bow Assembly	\$185.40
B	1819	Frame & Support Assembly	\$195.10
C	1820	Pivot Pin Assembly	\$70.40



See Page 79 For Replacement Wires

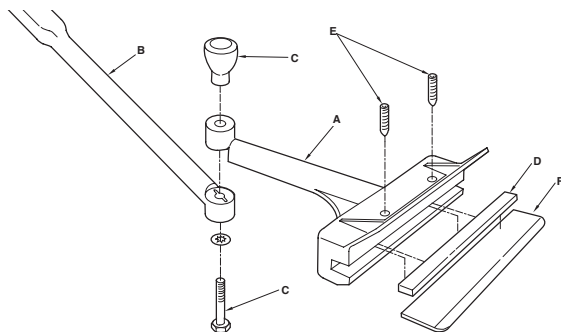
### Cheese Blocker™ Parts

Diagram Letter	Cat. No.	Description	List Price Each
D	1839	Eye Bolt (pkg of 4)	\$10.00
E	1840	Wing Nut (pkg of 6)	\$3.20
F	1841	Screw (pkg of 4)	\$8.00
Not Shown	1824	Brush	\$5.90



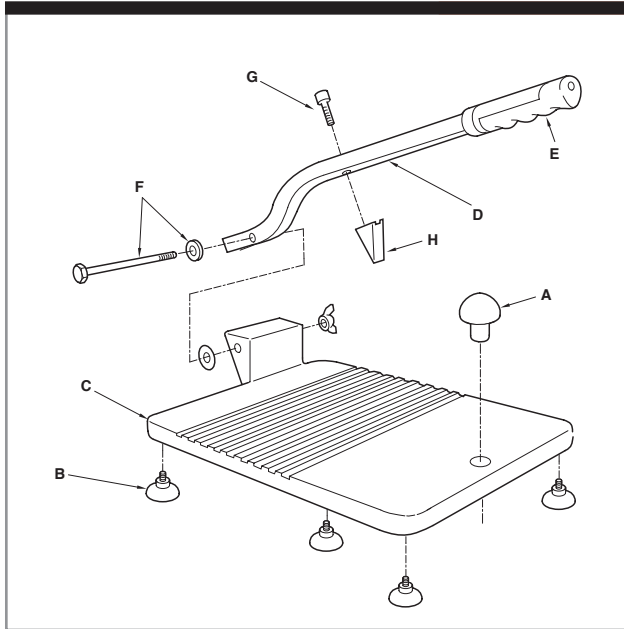
### Lobster King™ Parts

Diagram Letter	Cat. No.	Description	List Price Each
A	5104	Knife Bolt-Large, Nut & Washer	\$8.30
A	5115	Knife Bolt for Part #1851	\$3.50
B	5107	Rubber Bumper	\$2.50
C	5108	Rubber Foot	\$2.50
D	5111	Guide-Large	\$15.10
E	5113	Base for Part #1851	\$99.60
F	5102	Knife Holder	\$35.30
F	5114	Knife Holder for Part # 1851	\$61.70
G	369211	Thumbscrew	\$3.30
H	5103	Large Replacement Knife - 10"	\$69.60
Not Shown	5391	Knife Bolt for Part #1852, Nut & Washer	\$3.50



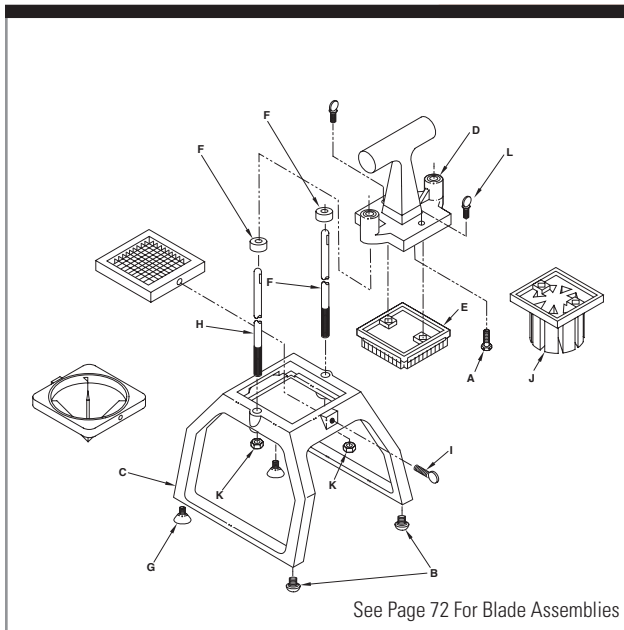
### Grill Tender® Parts

Diagram Letter	Cat. No.	Description	List Price Each
A	1103R	Head Section Casting	\$41.50
B	1104R	Handle Casting	\$31.20
C	1105R	Knob Assembly	\$9.50
D	1106R	Blade Pressure Plate	\$5.50
E	1107R	Pressure Plate Retaining Set Screw	\$3.70
F	1102R	Blade, Steel Point	\$13.70



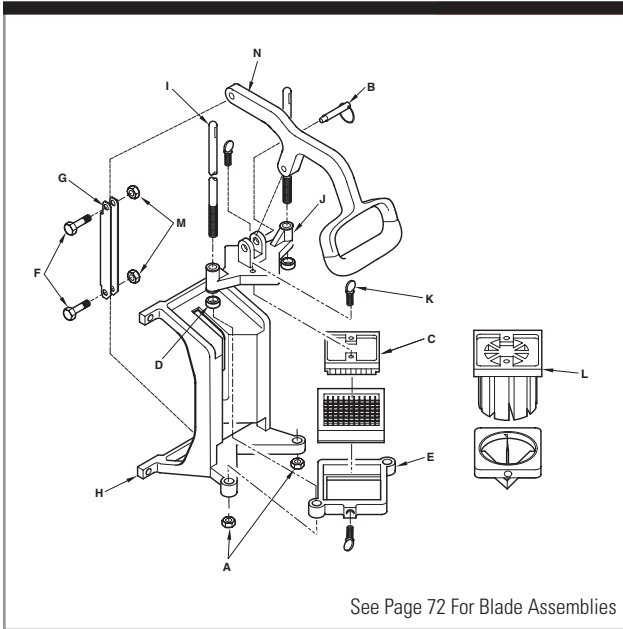
Oyster King™ Parts

Diagram Letter	Cat. No.	Description	List Price Each
A	5107	Rubber Bumper	\$2.50
B	5108	Rubber Foot	\$2.50
C	5381	Base	\$87.80
D	5383	Handle Casting	\$46.20
E	5387	Rubber Handle	\$3.50
F	5391	Bolt for Handle (Wing, Nut & Washers)	\$3.50
G	071	Bolt	\$1.60
H	5382	Steel Point (Replacement Blade)	\$43.00



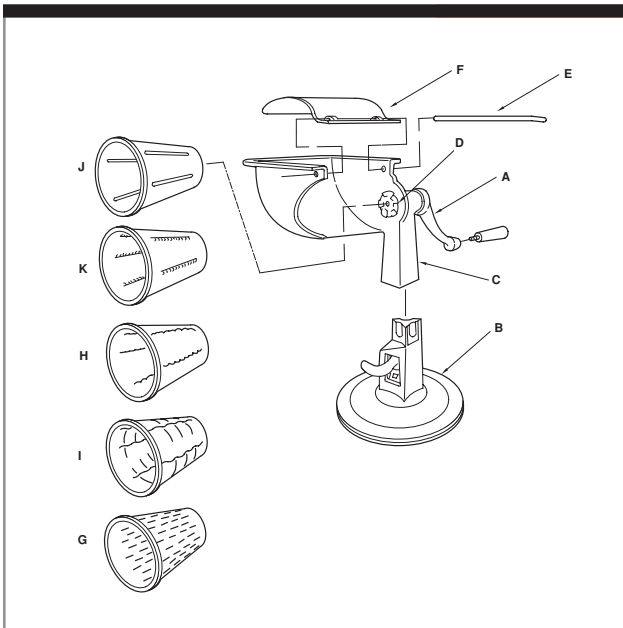
InstaCut™ 3.5 Parts

Diagram Letter	Cat. No.	Description	List Price Each
A	071	Screw, Hex Head Stainless	\$1.60
B	2319	Black Rubber Foot	\$2.10
C	379001	Base (Includes Guide Rods)	\$102.20
D	379005	Pusher Head Casting (Includes Bearings)	\$65.20
E	379007	Pusher Head Block, 3/8" Cut	\$26.90
E	379008	Pusher Head Block, 1/4" & 1/2" Cuts	\$26.90
F	379009	Bumper	\$4.50
G	379015	Suction Foot	\$3.30
H	379031	Guide Rod, 3/8" diameter	\$15.40
I	379034	Thumbscrew, 1/4 x 20 UNC	\$5.80
J	379038	Pusher Head for 4-8 Section Wedger	\$46.60
J	379039	Pusher Head for 6-12 Section Wedger	\$46.60
J	379040	Pusher Head for 5-10 Section Wedger	\$46.60
J	379041	Pusher Head for 4-8 Section Corer	\$69.00
J	379061	Pusher Head for 6-12 Section Corer	\$66.50
K	353	Lock Nut 3/16" x 18UNC	\$0.90
L	379034	Thumbscrew - 1/4 x 20 UNC	\$5.80



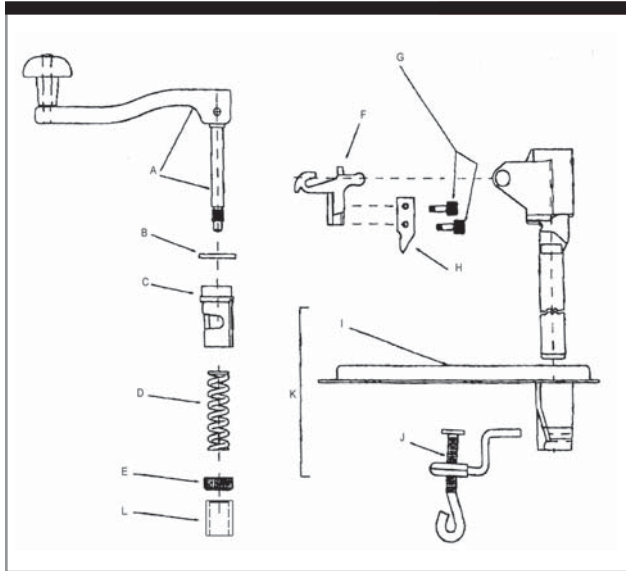
**InstaCut™ 3.5 Wall Unit Parts**

Diagram Letter	Cat. No.	Description	List Price Each
A	353	Locknut	\$0.90
B	4411	Pull Pin w/ Ring 1¼" Long	\$10.30
C	379007	Pusher Head Block, ¾"	\$26.90
C	379008	Pusher Head Block, ¼" & ½"	\$26.90
D	379009	Rubber Bumper, ¾" I.D.	\$4.50
E	379033	Blade Holder	\$44.20
F	379025	Screw, Shoulder ¼" diameter x ¾"	\$2.00
G	379027	Handle Link	\$14.20
H	379030	Base	\$204.50
I	379031	Guide Rod	\$15.40
J	379032	Pusher Head Casting w/Bearings	\$58.80
K	379034	Thumbscrew ¼-20	\$5.80
L	379038	Pusher Head 4-8 Section Wedger	\$46.60
L	379039	Pusher Head 6-12 Section Wedger	\$46.60
L	379040	Pusher Head 5-10 Section Wedger	\$46.60
L	379041	Pusher Head 4-8 Section Corer	\$69.00
L	379061	Pusher Head 6 Section Corer	\$66.50
M	379046	Nutblock, Hex	\$2.70
N	379052	D-Handle, Rubber Coated	\$52.70
Not Shown	379006	Screw ¼-20 x 1" Long	\$0.60
Not Shown	379016	Screw 6-32	\$1.30
Not Shown	379045	Shoulder Slot Screw	\$8.50



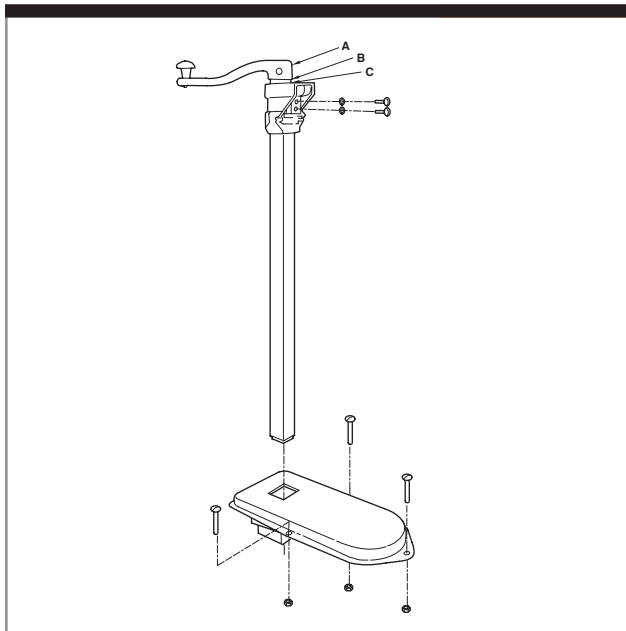
**King Kutter® Parts**

Diagram Letter	Cat. No.	Description	List Price Each
A	6025	Handle Assembly	\$14.70
B	6027	Suction Base	\$58.20
C	6028	Hopper Assembly w/ Bearing	\$73.70
D	6029	Clutch Assembly	\$10.30
E	6031	Pin (Cover)	\$3.10
F	6032	Cover	\$7.50
G	6011	#1 Cone - Shedder	\$20.80
H	6012	#2 Cone - String	\$20.80
I	6013	#3 Cone - French Fry Cut	\$20.80
J	6014	#4 Cone - Thin Slice	\$20.80
K	6016	#6 Cone - Thick Slice	\$20.80
Not Shown	6015	#5 Cone - Krinkle Kut	\$20.80
Not Shown	6026	Clamp Base	\$58.20



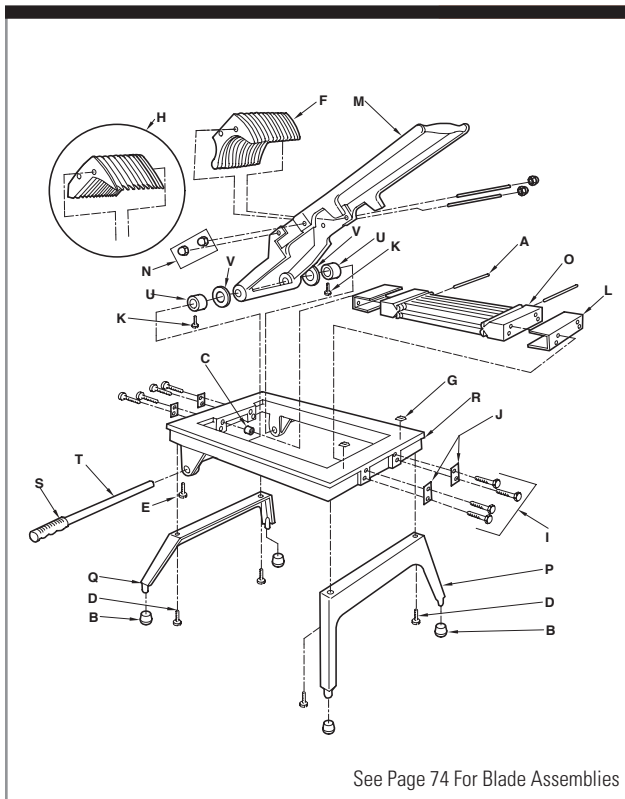
**EaziClean® Can Opener Parts**

Diagram Letter	Part No.	Description	List Price Each
A	379080	Handle Assembly for BCO-20, BCO-30	\$46.50
A	379093	Handle Assembly for BCO-60	\$37.00
A	379094	Handle Assembly for BCO-70	\$92.40
B	122	Collar Washer for BCO-20, BCO-30	\$5.40
B	379095	Collar Washer for BCO-60	\$0.80
C	379082	Collar, Reamed for BCO-20, BCO-30	\$4.50
C	379096	Collar, Reamed for BCO-60, BCO-70	\$7.90
D	379083	Spring for BCO-20, BCO-30	\$5.90
D	379097	Spring for BCO-60	\$1.10
D	379098	Spring for BCO-70	\$8.50
E	BCO-12	Gear for BCO-20, BCO-30	\$23.90
E	BCO-10	Gear for BCO-60, BCO-70	\$29.10
F	BCO-15	Quick Release Blade Carrier (w/o blade) BCO-20, BCO-30	\$9.80
F	BCO-14	Quick Release Blade Carrier for BCO-60, BCO-70	\$31.80
G	BCO-17	Blade Screws & O-Ring Washers	\$3.70
G	BCO-16	Blade Screws & O-Ring Washers for BCO-60, BCO-70	\$3.70
H	BCO-11	Blade	\$11.50
I	BCO-3	Base	\$72.50
J	379090	Base Clamp Only	\$14.60
K	379089	Base & Clamp	\$46.50
L	379099	Bush for BCO-60, BCO-70	\$4.80



**Premium™ and CanMaster™ Can Opener Parts**

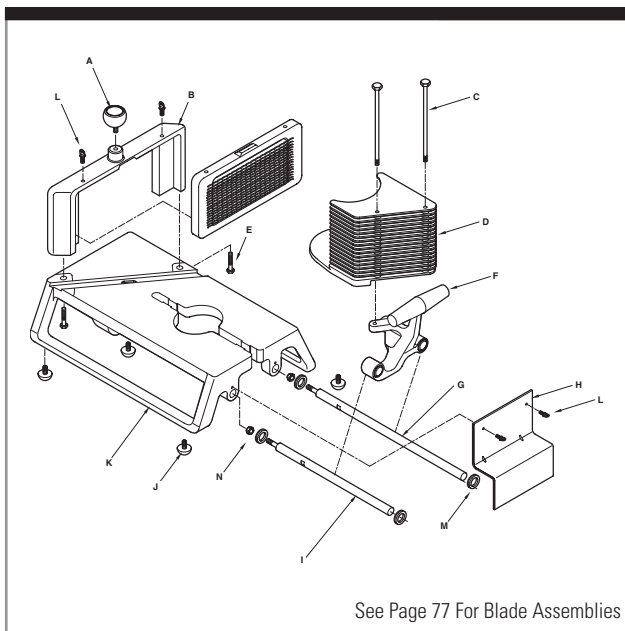
Diagram Letter	Cat. No.	Description	List Price Each
A	026	Handle Assembly for BCO-4	\$56.50
A	116	Handle Assembly for BCO-1	\$71.80
B	034	Washer for BCO-4	\$1.30
B	125	Washer for BCO-1	\$1.80
C	122	Collar for BCO-1	\$5.40



See Page 74 For Blade Assemblies

### Onion King® Parts

Diagram Letter	Cat. No.	Description	List Price Each
A	047	Blade Block Pin	\$1.60
B	060	Rubber Foot (Old Style)	\$1.30
B	303	Rubber Foot, Deep (New Style)	\$1.30
C	0655	Neoprene Gasket	\$0.90
D	414	Screw, Fillister Head 1/4-20 x 3/4"	\$2.90
E	4422R	Screw, Square Head 1/4-20 x 3/8"	\$2.50
F	504	3/16" Pusher Head Assembly	\$87.60
F	505	1/4" or 1/2" Pusher Head Assembly	\$68.80
F	515	3/8" Pusher Head Assembly	\$58.90
G	506	Pusher Head Bumper	\$1.80
H	507	1/2" Pusher Head for Model 503SN	\$124.00
I	5116	Screw, Hex Head 1/2-20 x 2"	\$1.30
J	5117	Bearing Plate	\$0.90
K	5118	Screw, Square Head 1/4-20 x 2"	\$0.80
L	5120	Double Blade Block Shield for 3/16" & 1/4"	\$3.20
L	5121	Single Blade Block Shield for 3/16" & 1/2"	\$2.90
M	517	Pusher Head Handle Casting	\$96.40
N	519	Acorn Nut	\$3.70
O	520, 522	3/16" 1/4" Blade Block	\$26.10
O	521, 523	3/8" 1/2" Blade Block	\$16.60
P	525	Front Legs	\$45.80
Q	526	Rear Legs	\$49.40
R	554	Base Frame	\$123.00
S	555	Vinyl Grip	\$3.70
T	556	Pivot Rod	\$18.40
U	558	Pivot Rod Locking Collar	\$12.90
V	560	Nylon Washer	\$0.90
Not Shown	527	SS B/B Scr	\$2.10
Not Shown	568	Set Screw, Pivot Shaft 1/4-20 x 1/2"	\$2.10



See Page 77 For Blade Assemblies

### InstaSlice® Parts

Diagram Letter	Cat. No.	Description	List Price Each
A	379063	Knob Ball InstaSlice	\$15.10
B	379064	Bridge Casting Intos	\$57.30
C	379069	Pusher Head Bolt	\$2.70
D	379070	7/32" Pusher Head Assembly	\$218.90
D	379071	1/4" Pusher Head Assembly	\$218.90
D	379072	3/16" & 3/8" Pusher Head Assembly	\$218.90
E	379073	Shoulder Bolt InstaSlice	\$12.30
F	379074	Handle Assembly	\$56.20
G	379075	Guide Rod-Long	\$27.40
H	379076	Table Stop	\$13.70
I	379077	Guide Rod-Short	\$27.40
J	379078	Rubber Foot	\$2.10
K	379079	Base InstaSlice	\$235.20
L	369211	Thumbscrew	\$3.30
M	379049	Washer - Guide Rod	\$4.00
N	353	Nut - Guide Rod	\$.90
Not Shown	379065	Safety Guard InstaSlice	\$23.30