



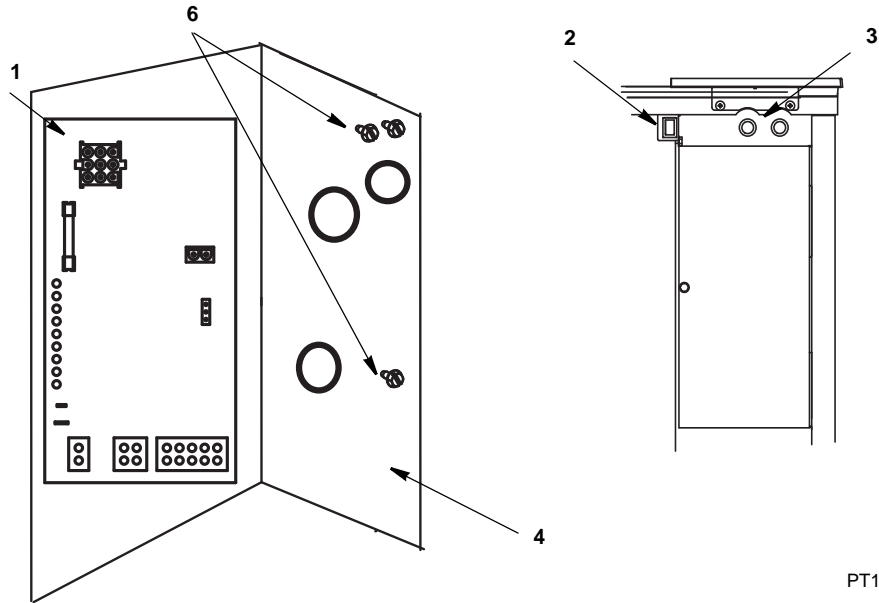
**Ice Machine Parts List for
Series S1200C Models**

SD1272C

SY1274C

CVD1285

S1200C CONTROL BOX



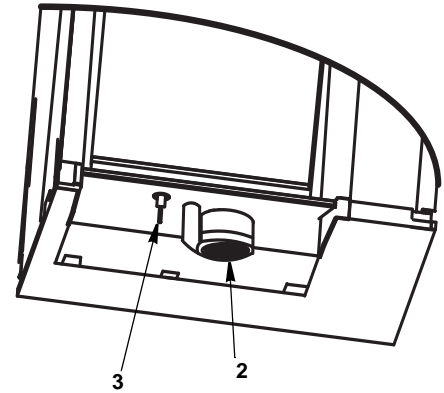
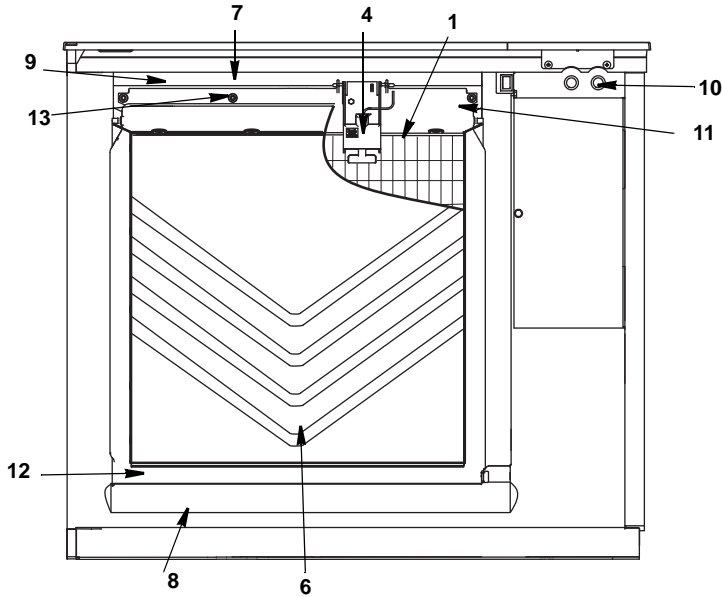
PT1392

DESCRIPTION

	PART NO.
1 Control Board (for use with all voltages)	20-0619-9
a. 7 Amp Fuse – Mounted on Control Board	25-1100-3
2 Toggle Switch Only	20-0793-9
a. Toggle Switch Wiring Harness	20-0807-9
b. Toggle Switch Box	40-1163-9
3 Refrigeration Service Valve Assembly	83-7326-3
Miscellaneous – Brackets, Screws, etc.	
4 Control Box	76-0214-3
a. Control Box Cover (Not shown)	76-0215-3
5 Control Board Mounting Supports (Not shown)	43-0225-3
6 Screw, #10-24 x .50 Ground	52-0216-9
a. Star Washer	55-7320-9
7 Control Box Wiring Harness (Not shown)	
a. 115V/60Hz/1Ph	20-0776-9
b. 230V/50Hz/1Ph	20-0777-9
8 Harvest Air Assist Pump Wiring Harness	20-0743-9

† Refer to Cross Reference Guide

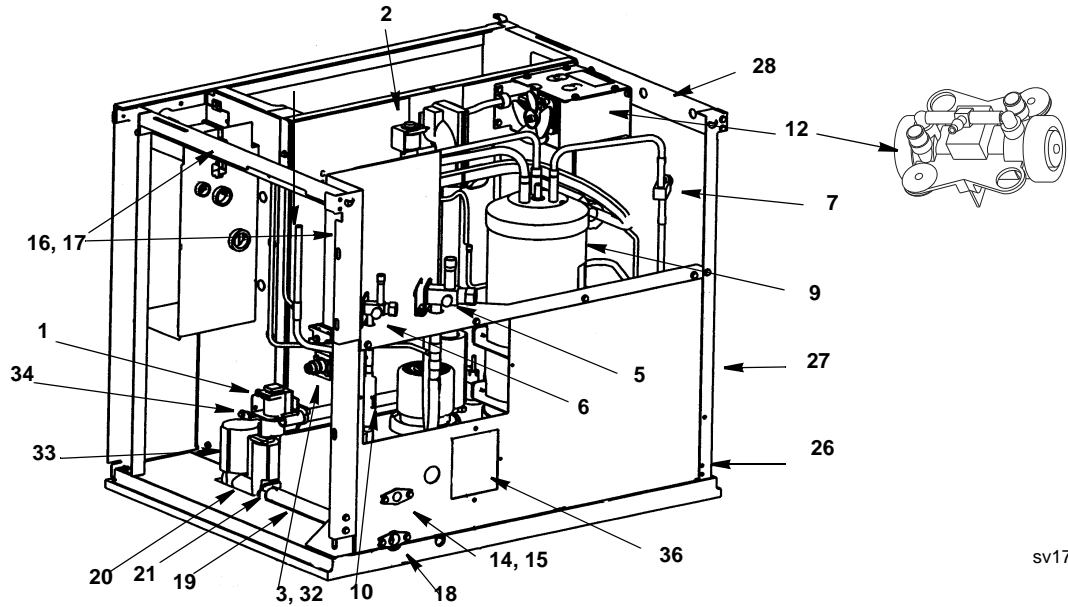
S1200C EVAPORATOR COMPARTMENT



DESCRIPTION

	DESCRIPTION	PART NO.
1	Evaporator Assembly	
	a. Dice Cube	76-0420-3
	b. Half Dice Cube	76-0421-3
2	Water Pump	
	a. 115V/60Hz.....	20-0848-9
	b. 230V/50 Hz.....	20-0811-9
3	Water Level Probe	20-0654-9
	a. Wire control box to probe	20-0798-9
4	Ice Thickness Control Probe	20-0802-9
5	Magnetic Bin Switch	20-0681-9
6	Water Curtain	40-1448-9
7	Water Distribution Assembly	76-0219-3
	a. O-Rings (Back of Distribution Assembly)	50-0464-9
8	Water Trough	40-0360-9
9	Evaporator Top Filler Panel	30-0672-9
10	Access Valve	83-7326-3
11	Evaporator Top Frame Assembly	76-0220-3
12	Water Diverter	76-0221-3
	a. Thumbscrew	53-0512-3
Miscellaneous – Brackets, Screws, etc.		
13	Screw, (Water Distribution Tube Mounting) each	50-0479-9
	a. O-Ring.....	50-0462-9
14	Screw, #12-16 x .687 (each-used to mount evaporator)	50-0461-9
15	Water Pump Base O-Ring	50-0465-9
16	Water Pump Outlet O-Ring	50-0467-9
17	Vinyl Tubing 0.625 ID (dump valve to drain adapter)	000001382
	a. Insulation.....	603883-1

S1200C REFRIGERATION COMPARTMENT



sv1754

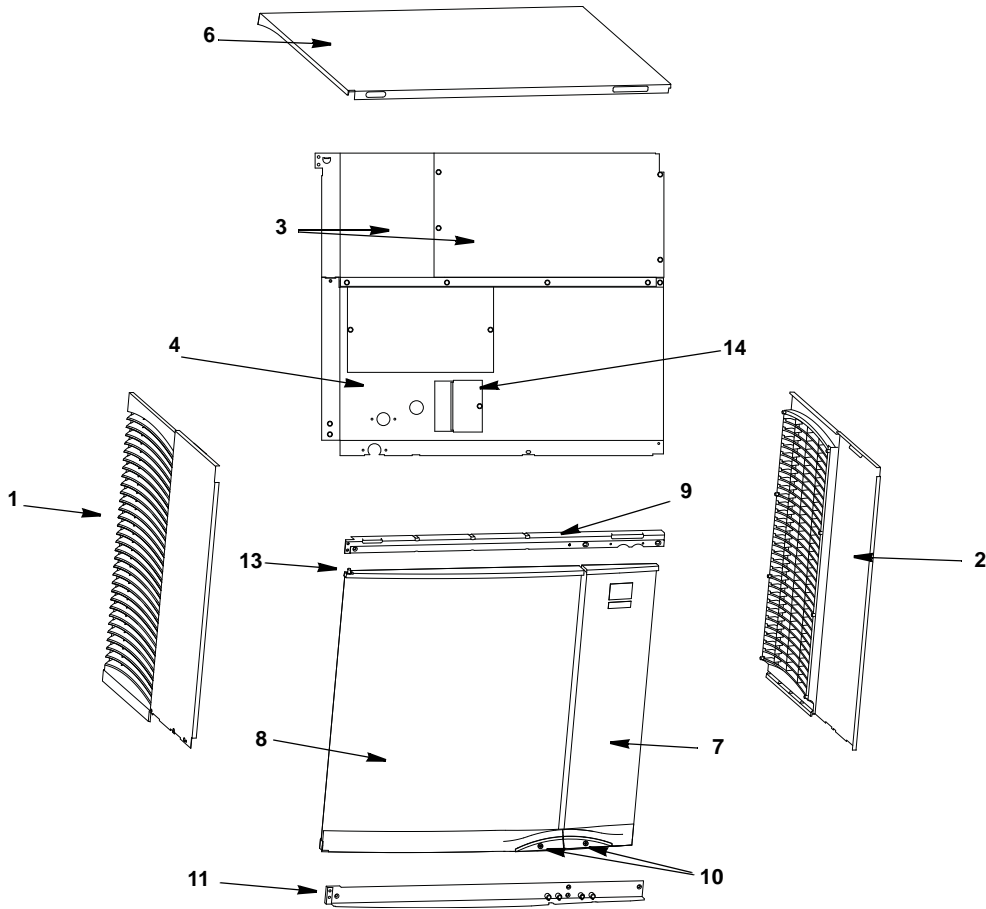
DESCRIPTION

		PART NO.
1	Water Dump Valve	
	a. 208/230V / 60 Hz	000001768
	b. Dump Valve Rebuild Kit	No Longer Available
2	Harvest Valve	
	a. Solenoid Valve with Electrical Coil (115V)	76-0341-3
	b. Solenoid Valve with Coil (208/230V)	76-0422-3
	c. 115V/60 Hz Electrical Coil Only	20-0788-9
	d. 208/230V 50 Hz Electrical Coil Only	20-0907-9
3	Water Inlet Valve	
	a. Water Inlet Valve Including 115V/60 Hz Coil	000000403
	b. Water Inlet Valve Including 208/230V 50 Hz Electrical Coil	000000404
4	Expansion Valve (Not Shown)	
	a. After Serial Number 11070729	76-0159-3
	b. Before Serial Number 110707329	76-0225-3
5	Manual Shut-off Valve Suction Line	83-7328-3
6	Manual Shut-off Valve Liquid Line	83-7327-3
7	Receiver Service Valve	† 83-7316-9
	a. Valve Cap	56-5075-3
8	Liquid Line Solenoid Valve	
	a. Liquid Line Solenoid Valve Including 115V/60 Hz Coil (Danfoss)	76-3000-1
	b. 115V/60 Hz Coil Only Danfoss	000005156
	c. Liquid Line Solenoid Valve Including 208/230V 50 Hz Electrical Coil (Danfoss)	76-3006-1
	d. 208/230V 50 Hz Coil Only Danfoss	000005157
9	Receiver	76-2959-3
10	Check Valve	83-7315-9
11	Drier	89-3027-9
12	Air Assist Pump	
	a. Air Assist Pump 115V with bracket	76-0352-9
	b. Air Assist Pump 230V with bracket	000000443
	c. Manifold Tee (air pump tubing outlet)	40-1173-9

Miscellaneous – Brackets, Screws, etc.

13	Dump Valve Mounting Bracket	605845-9
14	Water Inlet Valve Wing Adapter	87-0609-3
15	Water Inlet Valve Wing Adapter Plastic Fitting	13-6096-1
16	Right Corner Post Weldment	606713-9
17	Right Top Channel	606257-9
18	Water Drain Female Wing Adapter	87-0608-3
19	Water Drain Clear Tubing, .625 ID (12 inches)	44-2038-3
20	Dump Valve Tubing (3.25 inches)	44-2038-3
21	Clamp, Water Drain	56-5070-9
22	Clamp, Expansion Valve Bulb	56-5052-9
23	Copper Bulb Strap	30-0081-3
24	Expansion Valve Body Insulation Boot	40-1329-9
25	Expansion Valve Bulb Insulation Boot	40-0720-3
26	Screw, #10-24 x .50	52-0206-9
27	Left Corner Post Weldment	606599-9
28	Left Top Channel	606864-9
29	Insulated Tube (vinyl tubing from distribution tube to water pump & dump valve)	000003408
	a. Clamp .859/.989 ID	56-5060-3
	b. Clamp .799/.899 ID	56-5070-3
30	Water Inlet Valve Tubing	40-1043-9
31	Connector (Water Inlet Valve)	13-6098-9
32	Water Inlet Valve Bracket	605845-9
33	Check Valve Replacement (includes water diverter, vinyl tubing & insulation)	000002473
34	Bin Switch	20-0681-9
35	Receiver Mounting	
	a. Bracket	600056-1
	b. Strap	630721-4
36	Electrical Box on Rear of Ice Machine	
	a. Box	606728-9
	b. Terminal Block 3 Pole	20-0614-9
	c. Groundscrew #10-24 x .50	52-0216-9
37	Holder, Water Level Probe	20-0655-9
	a. Screw (to mount water level probe holder)	52-0206-9

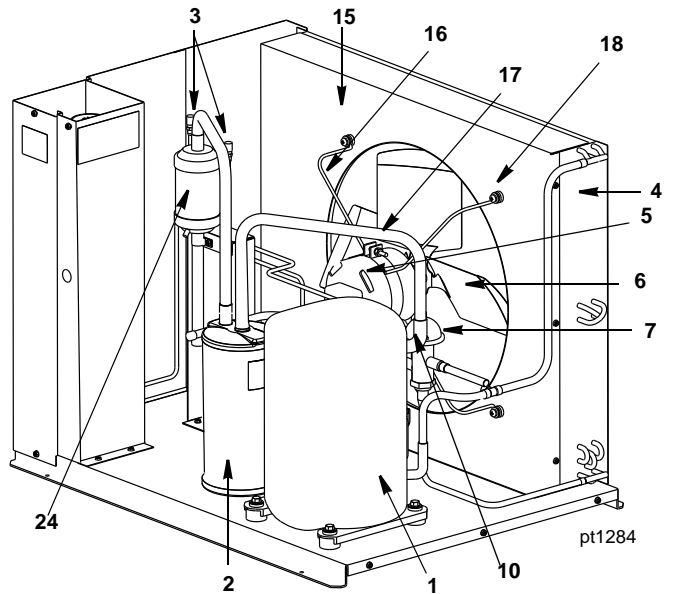
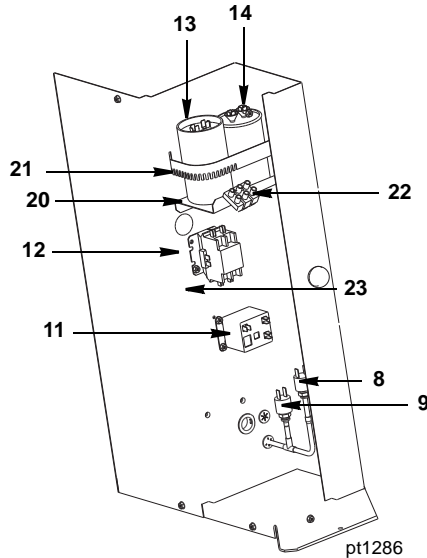
S1200C HEAD SECTION PANELS



DESCRIPTION

	PART NO.
1 Left Side Panel	606057-9
2 Right Side Panel	606056-9
3 Top Back Panels	
a. Left Side	606924-9
b. Right Side	606925-9
4 Bottom Back Panel	605968-9
5 Coupling Panel	606280-9
Aluminum Front Top Support on machine (replace all)	
6 Top Cover	40-1548-3
7 Right Door	607170-1
8 Left Door	607169-1
9 Front Top Rail	000000295
Mounting Screw Left Side 8-32 x 1	50-0537-9
Mounting Screw Right Side 10-24 x .50	50-0509-9
Plastic Front Top Support on machine (replace as needed)	
6 Top Cover	40-1548-3
7 Right Door	607170-1
8 Left Door	607169-1
9 Front Top Rail	000000295
Mounting Screw Left Side 8-32 x 1	50-0537-9
Mounting Screw Right Side 10-24 x .50	50-0509-9
Miscellaneous – Brackets, Screws, etc.	
10 Right/Left Door Screw	50-0489-9
11 Bottom Door Frame	76-0226-3
a. Mounting Screw Left Side 8-32 x 1	50-0537-9
b. Mounting Screw Right Side 10/24 x .50 PHIL	52-0209-9
12 Door Catch Bracket (RHD)	606236-9
a. Mounting Screw 8-32 x .50 Phil	50-2624-9
13 Left Door Pivot Leaf Hinge (Top or Bottom)	30-0557-9
a. Mounting Screw 8-32 x 1TCS-23 PHIL/FL	50-0537-9
14 Electrical Connection Box Cover	606729-9
15 Sachet Holder (inside left door)	40-0459-9
a. Screws	50-0479-9

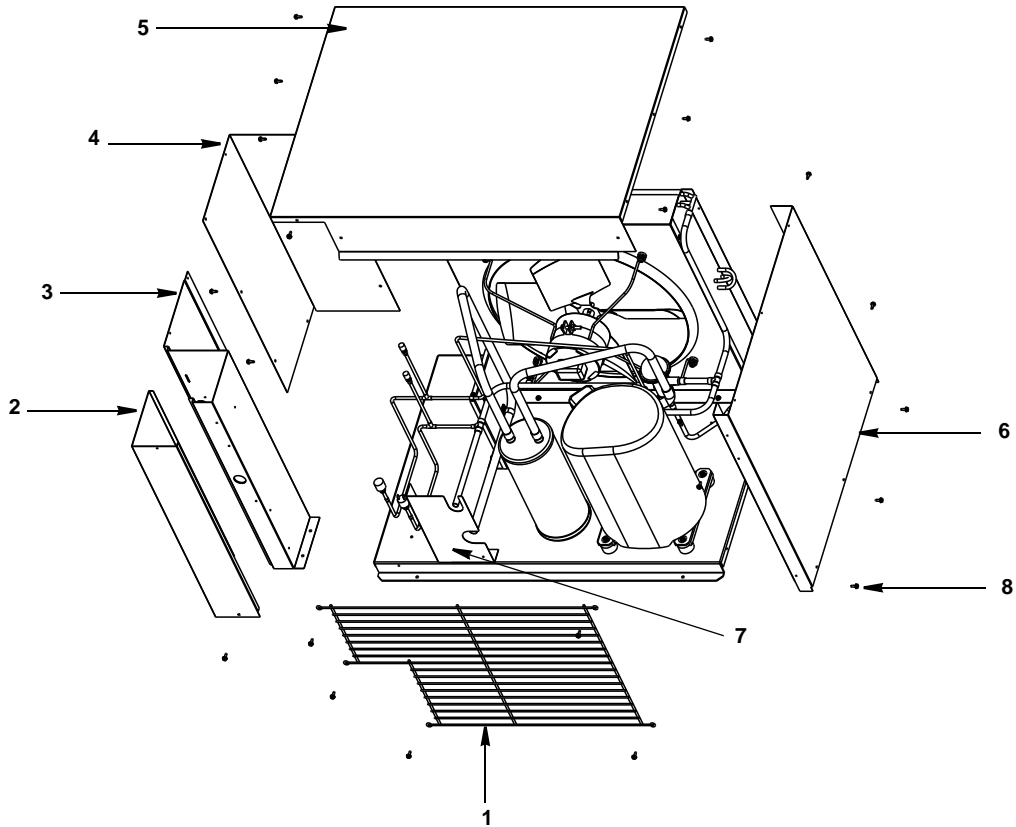
CVD1285 CONDENSING UNIT



DESCRIPTION

		PART NO.
1	Compressor (After Serial Number 110706336)	
	a. 208-230V/60 Hz/1 Ph	000002366
	b. 208-230V/60 Hz/3 Ph	000002367
	c. 208-230V/50 Hz/1 Ph	000002368
1	Compressor (Before Serial Number 110706336)	
	a. 208-230V/60 Hz/1 Ph	76-0321-3
	b. 208-230V/60 Hz/3 Ph	76-0322-3
	c. 208-230V/50 Hz/1 Ph	76-0323-3
2	Suction Accumulator	000007281
3	Access Valve	83-7325-3
4	Air-Cooled Condenser	88-5139-3
5	Fan Motor	
	a. 208-230V/60 Hz/1 Ph (or 3 Ph)	† 20-0018-9
	b. 208-230V/50 Hz/1 Ph	† 20-0058-3
6	Fan Blade	24-1611-3
7	Head Pressure Control Valve	
	a. After Serial Number 110706336	000001982
	b. Before Serial Number 110706336	000002791
8	Fan Cycling Control	† 20-0126-3
9	High Pressure Cut-Out Control	† 20-0124-3
10	Low Pressure Cut-Out Control	20-0222-9
11	Start Relay 50-60 Hz/1 Ph	20-0755-9
12	Contactors	
	a. 50-60 Hz/1 Ph	20-0660-9
	b. 60 Hz/3 Ph	20-0661-9
13	Start Capacitor 50-60 Hz/1 Ph	
	a. After Serial Number 110706336	85-0384-3
	b. Before Serial Number 110706336	000006454
14	Run Capacitor	
	a. 60 Hz/1 Ph	† 20-1013-3
	b. 50 Hz/1 Ph Only (After Serial Number 110706336)	† 20-1013-3
	c. 50 Hz/1 Ph Only (Before Serial Number 110706336)	000001395
	Miscellaneous – Brackets, Screws, etc.	
15	Fan Shroud	603449-1
16	Fan Motor Mounting Bracket	30-0682-3
17	Fan Motor Mounting Screw	† 50-3358-9
	a. Fan Motor Mounting Lockwasher	† 55-4511-9
	b. Fan Motor Mounting Hexnut	† 54-2952-9
18	Fan Bracket Mounting Screw	50-3238-9
	a. Fan Bracket Mounting Lockwasher	† 55-4511-9
	b. Fan Bracket Mounting Flatwasher	† 55-7305-9
	c. Fan Bracket Mounting Rubber Wellnut	† 54-2955-9
19	Screw, #10-24 x .50 (Used for Panel Attachment – Not shown)	† 52-0206-9
20	Capacitor Mounting Bracket	603498-1
21	Capacitor Mounting Strap	602160-1
22	Terminal Block (50 Hz Only)	20-0614-3
23	Ground Screw	† 52-0216-9
24	Suction Line Filter	82-5054-9
25	Copeland Plug Assembly Wiring Harness, 230V/50-60Hz/1-3 Ph	20-0761-9
26	Wiring Harness	
	a. 230V/60Hz/1Ph	000006532
	b. 230V/50Hz/1Ph	000006531
	c. 230V/60Hz/3Ph	20-3308-9

CVD1285 CONDENSING UNIT PANELS



pt1287

DESCRIPTION

DESCRIPTION	PART NO.
1 Condenser Fan Guard	34-0689-3
2 Control Box Cover	† 604017-1
3 Control Box Panel.	603707-1
4 Left Side Panel	603729-1
5 Cover Top	603475-1
6 Right Side Panel.	603470-1
7 Tube Shield.	† 604226-1

Miscellaneous – Brackets, Screws, etc.

8 Screw, #10-24 x .50 Hex.	† 52-0206-9
------------------------------------	-------------

Rev 02/05