



**Ice Machine Parts List for
AM0360 Series Dispensers
Models**

AM0361

AM0362

Manufactured November 1975 through December 1982

AM0360

OUTER CABINET GROUP

PART NO.

Main Door Assembly	No Longer Available
Right Hand Panel	No Longer Available
Left Hand Panel	No Longer Available
Upper Rear Panel	No Longer Available
Lower Rear Panel (Access)	No Longer Available
Mounting Screw (Lower rear panel to sides)	† 50-2616-9
Mounting Washer (Upper & lower rear panels to sides)	† 55-4407-9
Mounting Screw (Upper rear panel to sides)	† 51-2153-9

MAIN DOOR ASSEMBLY GROUP

Main Door Assembly	No Longer Available
Door Lock With Key	† 30-6026-3
Door Lock Key (Master) No. X1328 (Round key)	30-6007-1
Door Lock Locating Pin	37-1022-1
Tapping Plate (Door locating pin)	No Longer Available
Lock Plate (On left hand side panel)	No Longer Available
Push Button Switch Cover	No Longer Available
Push Button Switch Housing & Lamp Holder (See detail C)*	No Longer Available
Push Button Switch Barrier (2 per assembly) (See detail C)*	No Longer Available
Push Button Microswitch Unit (Less wires) (See detail C)*	07-0038-3
Push Button Switch Display Screen (See detail C)*	No Longer Available
Push Button Switch Display Lamp 28 Volts (2 per switch) (See detail C)*	No Longer Available
Stainless Steel Bucket Housing	No Longer Available
Melting Tray Retainer Bracket	No Longer Available
Wing Nut (Mounting melting tray retainer bracket to ice chute housing)	† 54-8904-9
Hinge Assembly	No Longer Available
Mounting Screw (Hinge to door)	† 50-2624-9
Melting Tray Pan Assembly	No Longer Available
Wire Grill	No Longer Available
Ice Chute Assembly, Long	No Longer Available
Ice Chute Assembly, Short	No Longer Available
Thumbscrew (Mounting ice chute to ice chute housing)	† 50-0001-3
Switch Transformer	No Longer Available
Wing Nut (Mounting bucket housing to door)	† 54-8904-9
Key Ice Switch Used Up to SN 09033	No Longer Available
Key (For key operated ice switch 23-0078-1)	30-6004-1
Key Ice Lock, SN 09034 to 09730	30-6013-3
SN 10178 to 11647	
SN AC0100 to AC0299	
Microswitch (For key to ice switch)	23-0060-1
Key, for Lock 30-6013-3, No. A2500 (Round key)	No Longer Available
Key Ice Lock, SN 10178 to 10377	30-6015-3
Key, for Lock 30-6015-3, Keyed Individually	Order through Sales Dept.
Key Ice Lock, Starting SN AF1500 and on (Flat key)	No Longer Available
Key, for Lock 30-6018-3 Master (Flat key)	No Longer Available
Speed Grip Door Lock Nut (Starting SN 10178)	† 54-7501-9
Door Lock Bracket (For 54-7501-9 lock nut)	† 652082-4
Key Ice Kit (Push button to key conversion)	No Longer Available
Uses Key	No Longer Available
Contactor (To start drive motor)	† 76-2192-3
Kit to Change From Key to Push Button	07-0038-3

*Items Comprise the Push Button Ice Switch Assembly

AM0360, CONTINUED

GEAR DRIVE & MOTOR ASSEMBLY GROUP

PART NO.

Gear Drive Motor	No Longer Available
Gear Reducer	No Longer Available
Motor Mounting Bracket (Front)	652971-4
Motor Mounting Bracket (Rear)	No Longer Available
Flat Washer (Mounting bracket to reducer)	† 55-7309-9
Machine Screw (Mounting rear support bracket to rear bracket)	† 50-3236-9
Lockwasher (Mounting rear support bracket to rear bracket)	† 55-4510-9
Machine Screw (Mounting reducer bracket to base)	† 50-3236-9
Flat Washer (Mounting reducer bracket to base)	† 55-7304-9
Lockwasher (Mounting reducer bracket to base)	† 55-4510-9
Coupling With Set Screw & Spider	No Longer Available
Spider, for Coupling Item 60	No Longer Available

AUGER & BEARING ASSEMBLY

Auger Assembly	No Longer Available
Upper Bearing Assembly	† 10992-1
Upper Bearing (Only)	37-3003-1
Upper Bearing Shaft (Only)	37-1012-1
Upper Bearing Shaft Pin (Only)	37-1011-1
Upper Bearing Housing (Only)	10419-1
Lower Bearing Assembly	11691-1
Lower Bearing Housing (Only)	No Longer Available
Lower Bearing Shaft (Only)	No Longer Available
Lower Bearing Shaft Pin (Only)	37-1013-1
Lower Bearing Seal Housing	No Longer Available
Lower Bearing (Only)	37-3003-1
Lower Bearing Seal	37-0501-1
Lower Bearing Mounting Bolt	50-1307-1
Lower Bearing Mounting Bolt Lock Nut	† 54-3002-9
Upper Bearing Mounting Bolt	† 50-3184-9
Upper Bearing Mounting Bolt Nut	† 54-2953-9
Upper Bearing Mounting Bolt Washer	† 55-4511-9
Auger Access Door (Drilled)	† 76-1976-3
Auger Access Door Mounting Thumbscrew	† 50-0001-3
Damper Door for Access Door	No Longer Available
Damper Door Pin Washer	No Longer Available
Auger Ice Deflector	No Longer Available
Deflectors to Adapt to E Series Cuber – Side Ice Deflector	620251-4
– Drop Zone Deflector	659231-4

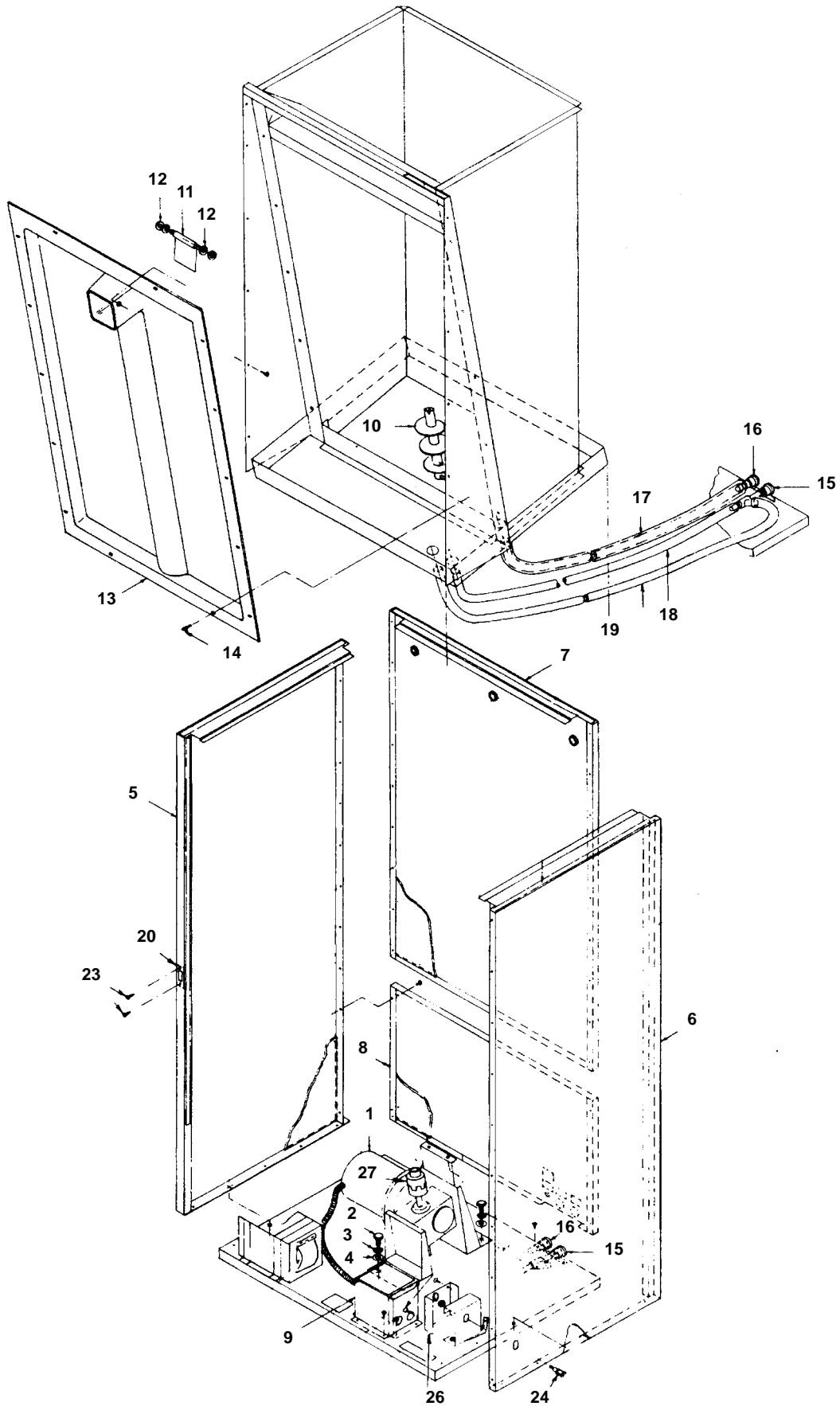
50 CYCLE PARTS:

Gear Train Motor	24-1213-1
Transformer	No Longer Available

† Refer to Cross Reference Guide

AM0360, CONTINUED

CABINET GROUP – DETAIL A



2014

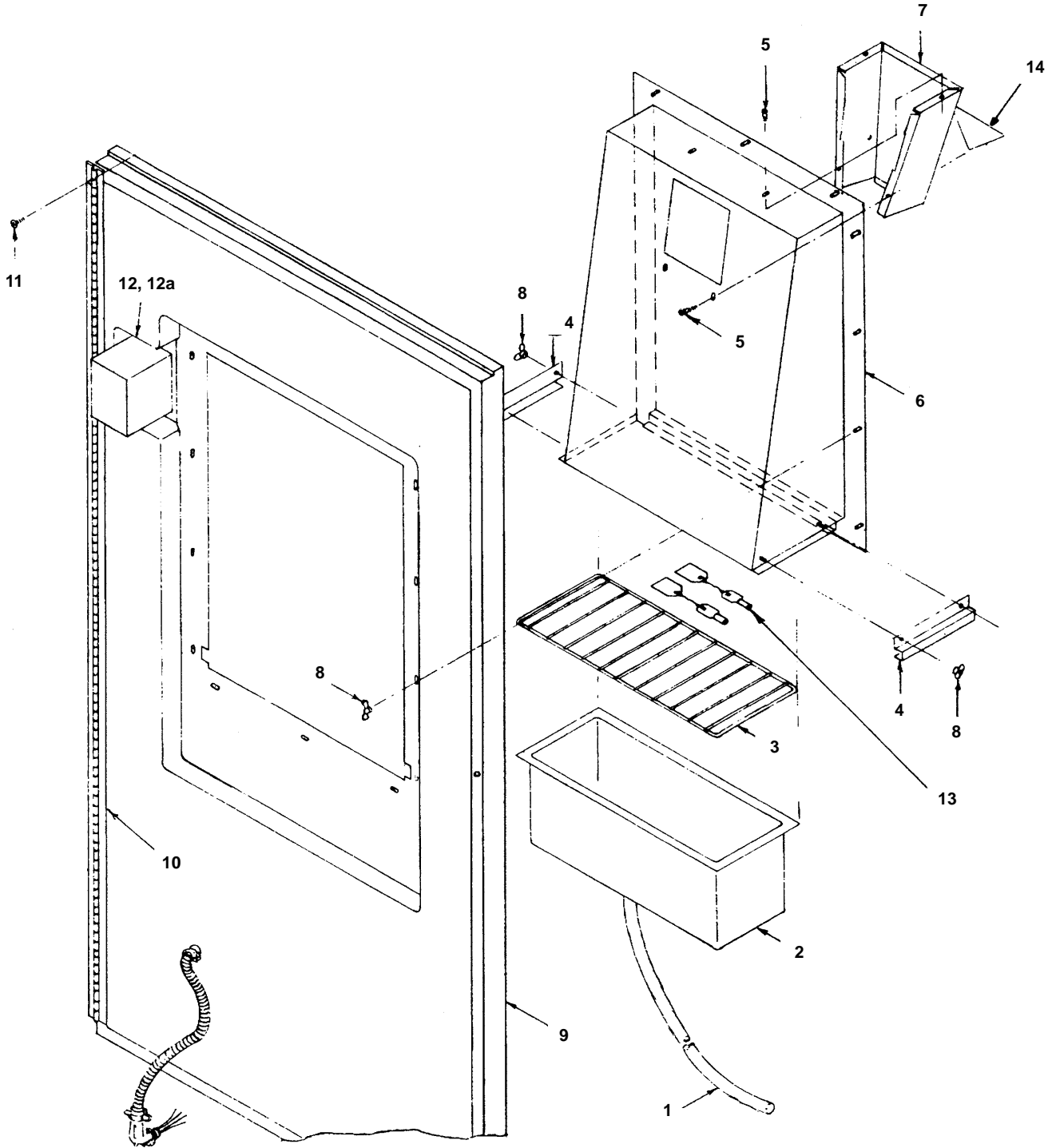
AM0360, CONTINUED

CABINET GROUP – DETAIL A

	PART NO.
1 Gear Drive Mounting Assembly	SEE GEAR DRIVE GROUP
2 Machine Screw, Mount Gear Drive Bracket to Base	† 50-3236-9
3 Lockwasher, Mount Gear Drive Bracket to Base	† 55-4510-9
4 Flatwasher, Mount Gear Drive Bracket to Base	† 55-7304-9
5 Left Hand Side Panel	No Longer Available
6 Right Hand Side Panel	No Longer Available
7 Upper Rear Panel	No Longer Available
8 Lower Access Panel	No Longer Available
9 Junction Box Cover	No Longer Available
10 4" Auger	No Longer Available
11 Damper Door	No Longer Available
12 Washer (Damper door)	No Longer Available
13 Access Door	No Longer Available
14 Access Door (Mounting screws)	† 50-0001-3
15 Drain Fitting	11716-1
16 Drain Fitting	No Longer Available
17 Tygon Tubing 18" Long	† 44-2033-3
18 Tygon Tubing 21" Long	† 44-2033-3
19 Tygon Tubing 24" Long	† 44-2033-3
20 Lock Plate	No Longer Available
21 Speed Grip Door Lock Nut (Starting SN 10178) (Not shown)	† 54-7501-9
22 Door Lock Bracket (For nut no. 54-7501-9) (Not shown)	† 652082-4
23 Lock Plate Mounting Screws	† 50-2673-9
24 Key Operated Lock With Key Cam & Nut	30-6010-1
25 Key Only for Lock 30-6010-1 (Not shown)	30-6007-1
26 Key Lock Cover	No Longer Available
27 Coupling With Set Screw	No Longer Available
28 Microswitch (For key operated lock) (Not shown)	23-0060-1
Master Key for Key Ice Switch (Not shown)	No Longer Available
Door Lock Nut (Not shown)	† 54-7501-9
Door Lock Nut Bracket (Not shown)	† 665231-4

AM0360, CONTINUED

DOOR GROUP – DETAIL B



AM0360, CONTINUED

DOOR GROUP DETAIL B		PART NO.
1	Tygon Tube	† 44-2033-3
2	Melting Tray	30038-1
3	Wire Grill	No Longer Available
4	Melting Tray Retainer Bracket	603271-4
5	Ice Spout Mounting Knurled Screw	† 50-0001-3
6	Bucket Housing	15598-2
7	Ice Spout Assembly (Long)	30043-1
8	Wing Nut (Mounting bucket housing)	† 54-8904-9
9	Door Assembly	No Longer Available
10	Door Hinge	No Longer Available
11	Door Hinge Mounting Screw	† 50-2624-9
12	Cover, Push Button Ice Switch Box (See Main Door Group for Push Button Assembly)	No Longer Available
12a	Cover, Key Ice Box Cover	602081-4
13	Key (Ice lock out & main door lock)	30-6007-1
14	“Place Container Here” (Decal)	81-3038-1

AM0360, CONTINUED

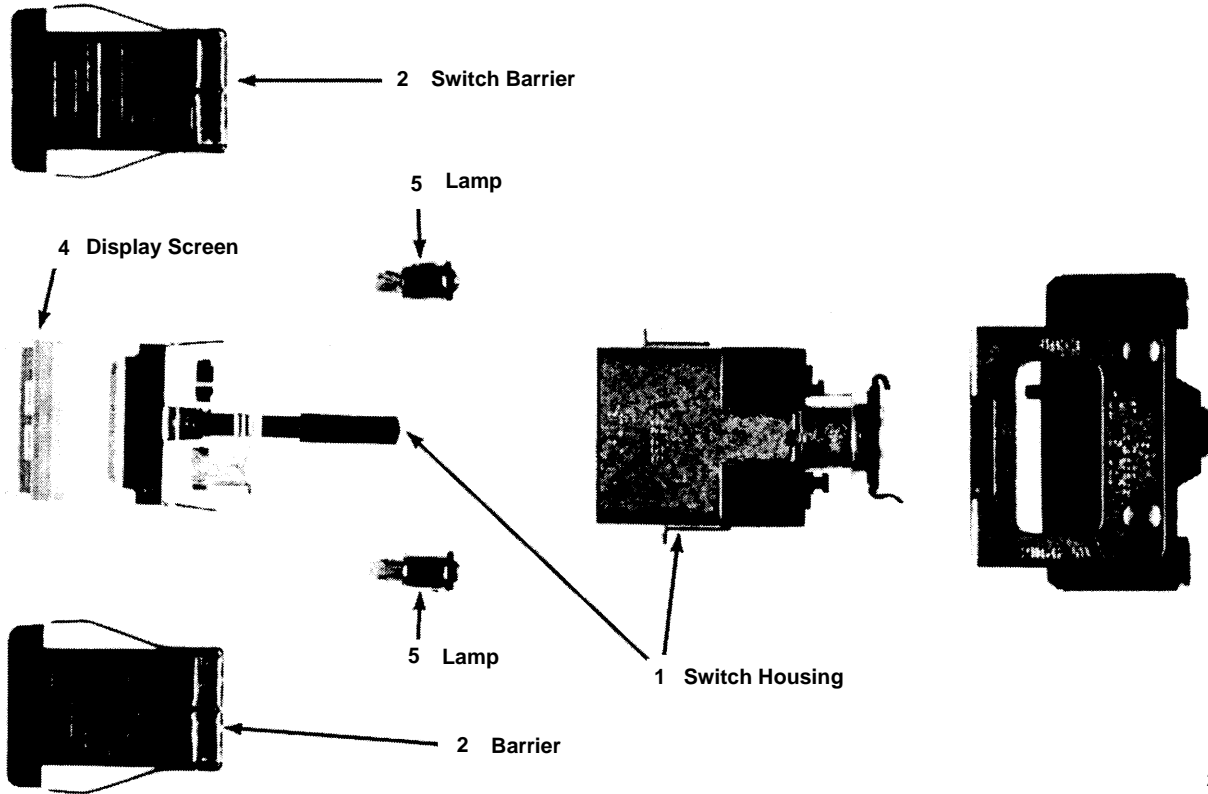
07-0038-3 SWITCH REPLACEMENT KIT

PART NO.

Actuator Button	No Longer Available
Microswitch	No Longer Available
Exterior Plate	612261-4
Back-up Plate	612271-4
Hex Nuts	† 54-2878-9

NOTE: Original switch not available – use 07-0038-3 Kit

PUSH BUTTON SWITCH – DETAIL C



2017

1 Push Button Switch Housing and Lamp Holder	No Longer Available
2 Push Button Switch Barrier 2 Per	No Longer Available
3 Push Button Switch Unit (Less wires) Microswitch	See Note Above
4 Push Button Switch Display Screen	No Longer Available
5 Push Button Switch Lamp 28 Volt 2 Per	No Longer Available



Ice Machine Parts List for

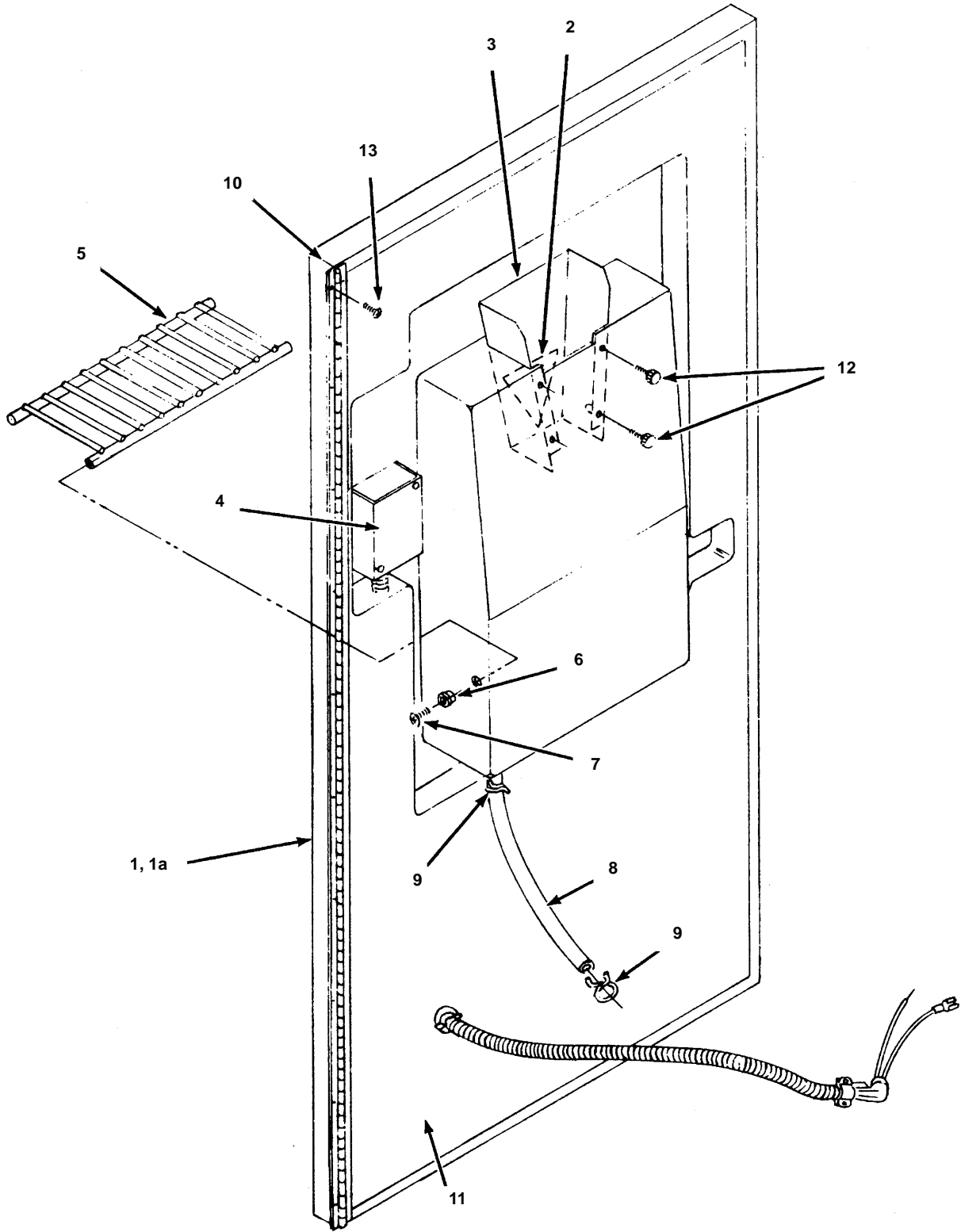
AM0361

AM0362

Starting with SN 81070926

AM0361

DOOR GROUP – DETAIL C

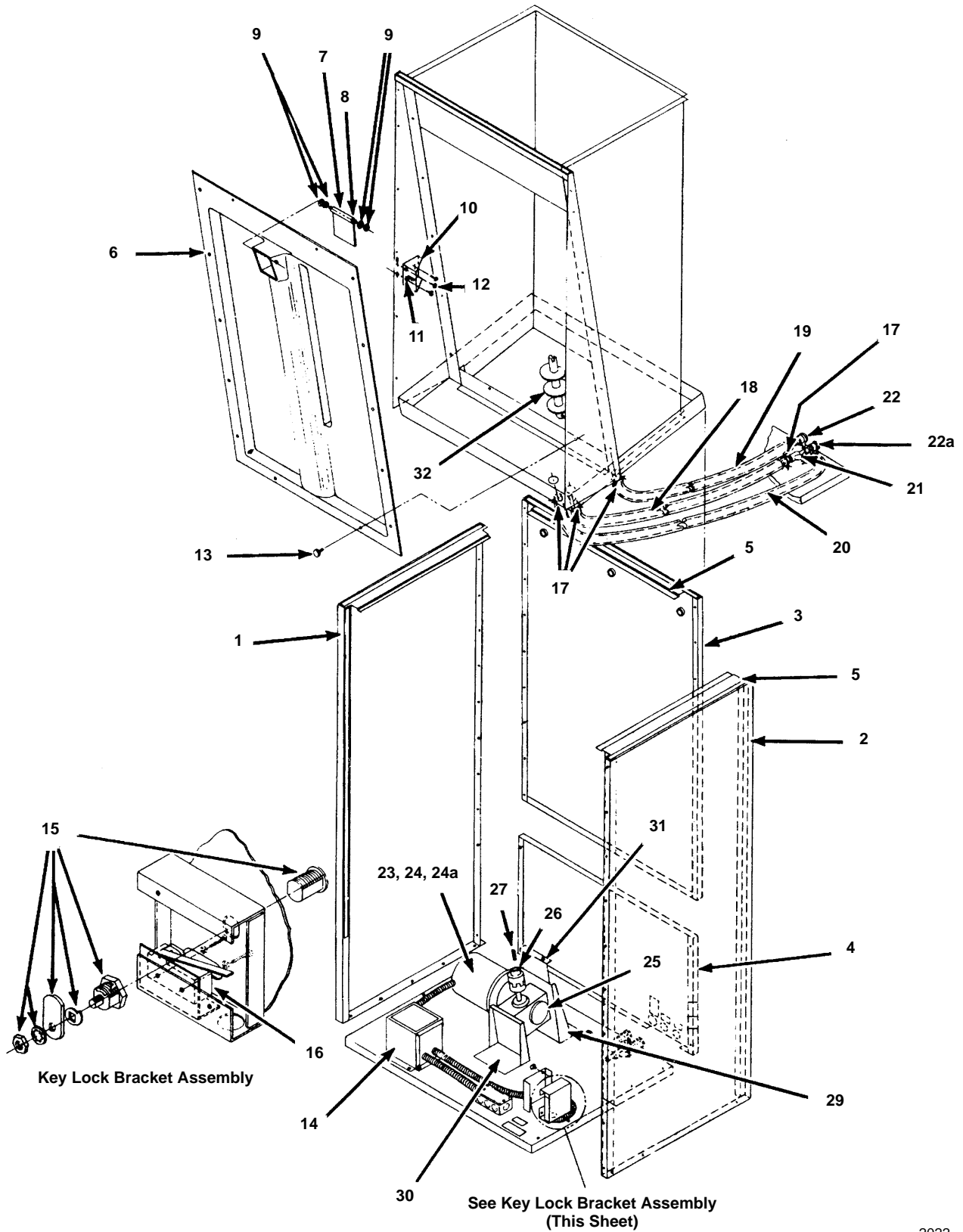


AM0361, CONTINUED

DOOR GROUP DETAIL C		PART NO.
1	Main Door Assembly With Push Button	No Longer Available
1a	Main Door Assembly With Key Operated Switch	No Longer Available
2	Label "Place Container Below"	81-3038-1
3	Ice Chute With Label & Foam Tape	† 76-1942-3
4	Electrical Box Cover	No Longer Available
5	Wire Grill	34-0615-3
6	Nylon Bushing	† 37-3010-9
7	#8-32 Machine Screw	† 50-2624-9
8	Vinyl Tubing	† 44-2033-3
9	Spring Clamps	56-5038-1
10	Door Hinge	30-1007-1
11	Front Door Liner	No Longer Available
12	Thumbscrew, Mounting Ice Chute	† 50-0001-3
13	#8-32 x 1/2" Small Screw (Mounting hinge)	† 50-2624-9
14	Push Button Ice Switch (Not shown)	(See Page 15)
15	Key Operator Ice Switch (Not shown)	(See Page 16)
16	Door Lock Complete With Key (Not shown)	† 30-6026-3
17	Key (For key operated switch no. 30-6010-1) (Not shown)	30-6007-1

AM0361, CONTINUED

MAIN CABINET GROUP – DETAIL D



2022

AM0361, CONTINUED

MAIN CABINET GROUP DETAIL D

PART NO.

1	Left Hand Side Panel	No Longer Available	
2	Right Hand Side Panel		13019-1
3	Upper Rear Panel		13015-1
4	Lower Rear Access	No Longer Available	
5	Foam Tape		† 92-0248-9
6	Auger Access Door	No Longer Available	
7	Damper Door	No Longer Available	
8	Shaft	No Longer Available	
9	Flatwasher	No Longer Available	
10	Door Lock Bracket		† 665231-4
11	Door Lock Nut		† 54-7501-9
12	S.M. Screw		† 51-2153-9
13	Thumbscrew		† 53-0504-9
14	Contactora		† 76-2192-3
15	Key Operated Switch With One Key		30-6010-1
16	Microswitch		23-0060-1
17	Spring Clamps		56-5038-1
18	Vinyl Tubing 21" Long		† 44-2033-3
19	Vinyl Tubing 18" Long		† 44-2033-3
20	Vinyl Tubing 23" Long		† 44-2033-3
21	Tee	No Longer Available	
22	Adapter Fitting Assembly (Water drain)	No Longer Available	
22a	Adapter Fitting Assembly (Melting tank)		11716-1
23	Key Only (For switch 30-6010-1) (Not shown)		30-6007-1

GEAR DRIVE - MOTOR AND AUGER GROUP DETAIL D

24	Drive Motor 60 Hz 50-1	No Longer Available	
24a	Driver Motor 50 Hz 50-1 (Blador)		24-1213-1
25	Gear Reducer	No Longer Available	
26	Coupling (Complete)	No Longer Available	
27	Key-Way		37-1008-1
28	Spider (Not shown)	No Longer Available	
29	Rear Bracket	No Longer Available	
30	Front Bracket Motor Mounting		652971-4
31	Rear Liner Support		603361-4
32	4" Auger Complete	No Longer Available	

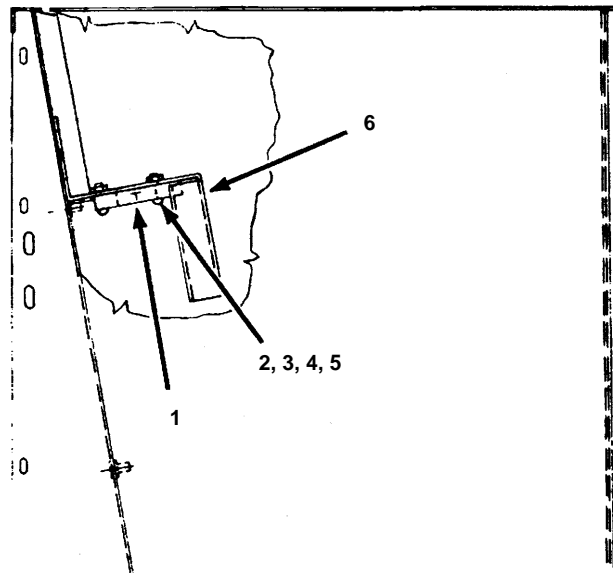
AUGERS BUILT AFTER 12-9-91 CONSIST OF:

(1)	Cotterless Clevis Pin		37-1208-3
(1)	Lower Coupling		50-3119-0
(10)	4" Auger Flightings		50-3119-1
(1)	Upper Bearing		43-0204-3
(1)	Auger Shaft	No Longer Available	

† Refer to Cross Reference Guide

AM0361, CONTINUED

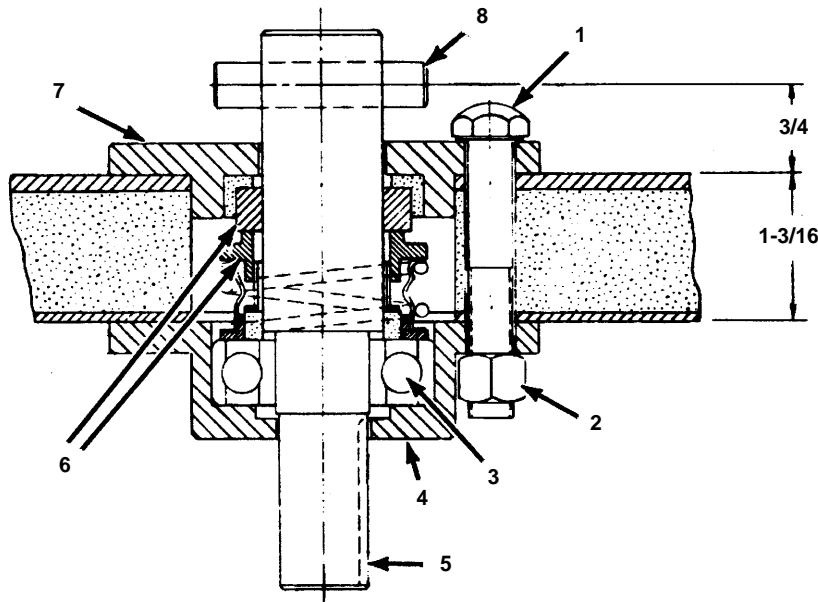
BEARING GROUP



2024A

UPPER BEARING

	PART NO.
1 Auger Bearing	† 44-0702-9
2 #10-32 Machine Screw	† 50-3013-9
3 Flat Washer	† 55-0427-9
4 #10 Lockwasher	† 55-7316-9
5 #10-32 Hex Nut	† 54-2943-9
6 Auger Bearing Bracket	655221-4



2024B

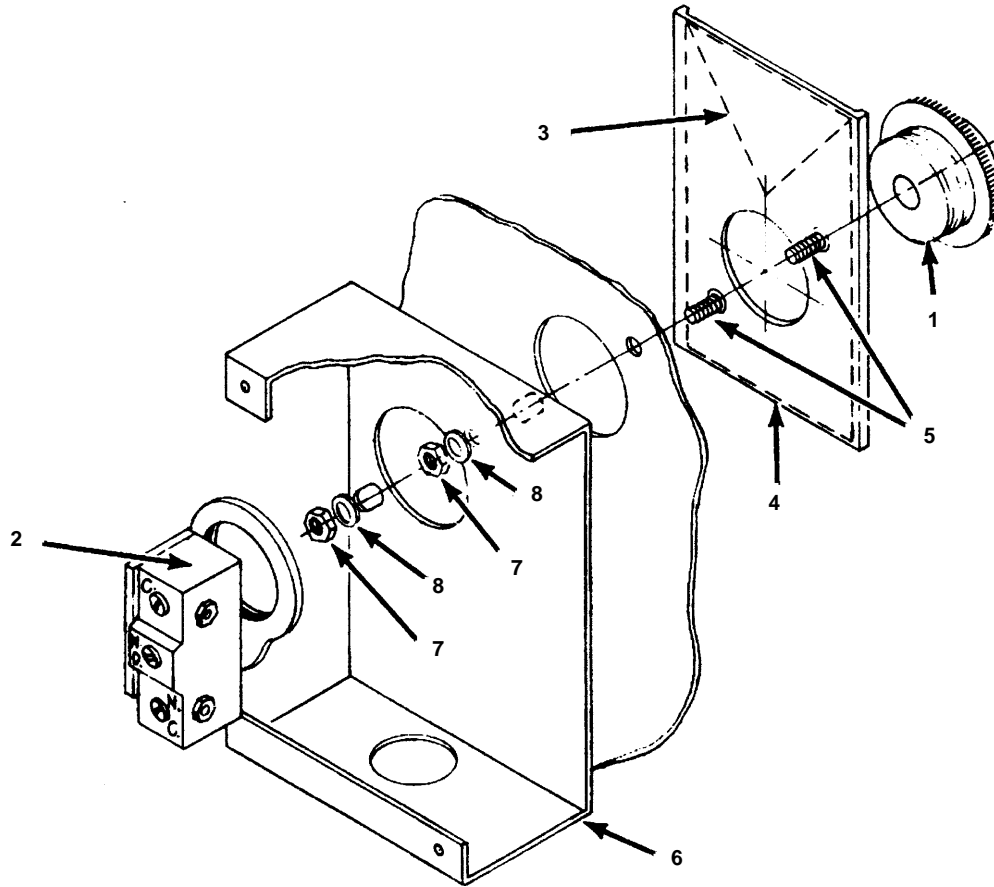
LOWER BEARING AUGER SECTION VIEW

	PART NO.
1 3/8-16 x 2-1/4" Bolt	50-1307-1
2 Hex Lock Nut	† 54-3002-9
3 Bearing	37-3003-1
4 Lower Bearing Housing	No Longer Available
5 Lower Bearing Shaft	37-1019-1
6 Lower Seal With Seat	37-0501-1
7 Housing Lower Seal	No Longer Available
8 Pin Lower Bearing Shaft	37-1013-1
9 Lower Bearing Housing Assembly (includes Items 3, 4 & 5)	11691-1

† Refer to Cross Reference Guide

AM0361, CONTINUED

PUSH BUTTON ICE SWITCH GROUP



2025

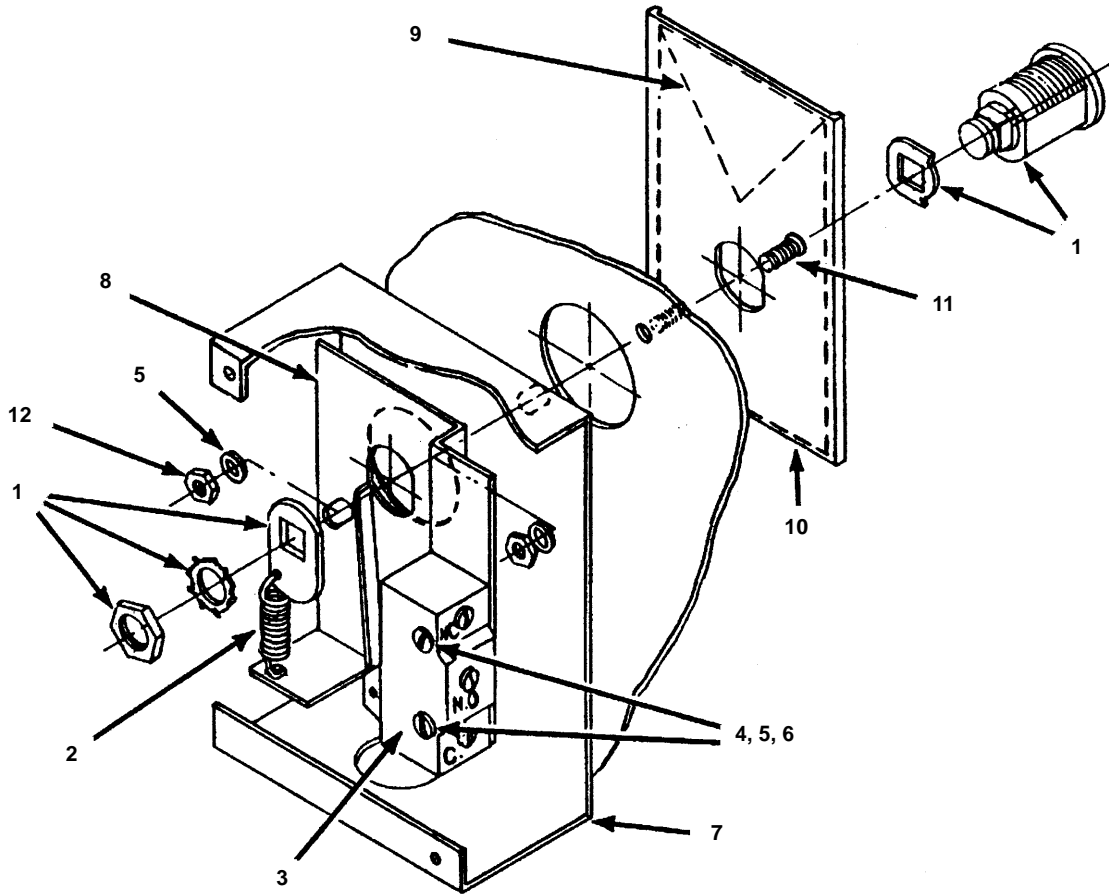
PUSH BUTTON AM0361

	PART NO.
1 Manual Push Button Actuator	23-0086-1
2 Microswitch Push Button	23-0085-1
3 Label "Ice" (AM0362 only)	† 81-3088-3
4 Exterior Mounting Plate	32-0326-3
5 #6-32 x 1/2" Phil. Head Machine Screws	† 50-2238-9
6 Enclosure Ice Switch	610101-4
7 #6-32 Hex Nut	† 54-2878-9
8 No. 6 Lockwasher	† 55-4454-9

† Refer to Cross Reference Guide

AM0362

KEY OPERATED ICE SWITCH GROUP



2026

KEY OPERATED ICE SWITCH GROUP

	PART NO.
1 Ice Key Lock Complete	No Longer Available
2 Extension Spring	No Longer Available
3 Microswitch	23-0060-1
4 #6-32 Machine Screw	† 50-2329-9
5 #6 Lockwasher	† 55-4454-9
6 Switch Insulator	600601-4
7 Enclosure Ice Switch	610101-4
8 Key Switch Bracket	No Longer Available
9 Label Ice	† 81-3088-3
10 Exterior Mounting Plate	32-0327-3
11 #6-32 x 1/2" Phil. Head Screw	† 50-2238-9
12 #6-32 Hex Nut	† 54-2878-9
13 Master Key	No Longer Available

† Refer to Cross Reference Guide