



**Ice Machine Parts List for  
AM0600 Series Dispensers Model**

**AM0651**

**AM0662**

**AM0661**

**AM0654**

**AM0652**

**Manufactured July 1976 through June 1985**

**AM0600**  
**AM0651, 652, 661 & 662**  
**DISPENSER PARTS LIST**

(See Page 9 & 10 For Parts Special to AM-0654)

<b>OUTER CABINET GROUP</b>	<b>PART NO.</b>
Main Door Assembly . . . . .	No Longer Available
Left Hand Side Panel . . . . .	No Longer Available
Right Hand Side Panel . . . . .	No Longer Available
Upper Rear Panel . . . . .	No Longer Available
Lower Rear Panel (Access) . . . . .	No Longer Available
Lower Front Panel . . . . .	No Longer Available
Sheet Metal Screw (Mounting lower rear panel to side panels) . . . . .	† 50-2616-9
Sheet Metal Lockwasher (Mounting lower rear panel to side panels) . . . . .	† 55-4407-9
Sheet Metal Screw (Rear upper panel to sides) . . . . .	† 51-2153-9
Sheet Metal Washer (Rear upper panel to sides) . . . . .	† 55-4407-9
Door Lock Bracket . . . . .	† 652082-4
 <b>MAIN DOOR ASSEMBLY GROUP</b>	
Main Door Assembly . . . . .	No Longer Available
Door Lock With Key . . . . .	† 30-6026-3
Door Lock Key Only (Master) No. X1328 . . . . .	30-6007-1
Door Lock Locating Pin . . . . .	37-1022-1
Door Lock Bracket . . . . .	† 652082-4
Tapping Plate (Door locating pin) . . . . .	No Longer Available
Lock Retaining Plate (On left hand side panel) . . . . .	No Longer Available
Door Lock Bracket . . . . .	† 652082-4
Push Button Switch Cover . . . . .	No Longer Available
Push Button Switch Housing and Lamp Holder . . . . .	No Longer Available
Push Button Switch Barrier 2 Per . . . . .	No Longer Available
Push Button Switch Replacement Kit (Units prior to SN 83105931) . . . . .	07-0038-3
Lighted Push Button Switch After SN 83105932 . . . . .	† 23-0106-3
Push Button Switch Display Screen . . . . .	No Longer Available
Push Button Switch Lamp 28 Volt 2 Per . . . . .	No Longer Available
Melting Tray Retainer Bracket . . . . .	603271-4
Wing Nut (Mounting melting tray retainer to ice chute housing) . . . . .	† 54-8904-9
Hinge Assembly . . . . .	No Longer Available
Mounting Screw (Hinge to door) . . . . .	† 50-2624-9
Melting Tray Pan Assembly . . . . .	30083-1
Wire Grill . . . . .	No Longer Available
Dual Ice Chute Assembly . . . . .	No Longer Available
Ice Chute Assembly Long . . . . .	No Longer Available
Ice Chute Assembly Short . . . . .	No Longer Available
Thumbscrew (Mounting ice chute to ice chute housing) . . . . .	† 50-0001-3
Switch Transformer . . . . .	No Longer Available
Key Ice Lock, Up to SN AC0169 . . . . .	No Longer Available
Key Only, For Lock 30-6013-9, No. A2500 . . . . .	No Longer Available
Key Ice Lock, Starting SN AY2400 . . . . .	No Longer Available
Key Only, For Lock 30-6018-3 . . . . .	No Longer Available
Microswitch For Key Lock Out . . . . .	23-0060-1
Key Ice Kit	
Convert From Push Button to Key Ice . . . . .	No Longer Available

† Refer to Cross Reference Guide

## AM0600

### GEAR DRIVE & MOTOR ASSEMBLY GROUP

### PART NO.

Gear Drive Motor (Balder) . . . . .	No Longer Available
Gear Reducer (Boston gear) Before SN 11447	
New Front Mounting Bracket is Needed. P/N 652971-4 . . . . .	No Longer Available
Motor Mounting Bracket (Front) . . . . .	652971-4
Motor Mounting Bracket (Rear) . . . . .	No Longer Available
Liner Support Bracket (Rear) . . . . .	603361-4
Machine Screw (Mounting bracket to reducer) (16 ea.) . . . . .	† 50-3565-9
Flat Washer (Mounting bracket to reducer) (16 ea.) . . . . .	† 55-7309-9
Lockwasher (Mounting bracket to reducer) (16 ea.) . . . . .	† 55-7313-9
Machine Screw (Mounting rear support to rear bracket) (6 ea.) . . . . .	† 50-3236-9
Flatwasher (Mounting rear support to rear bracket) (6 ea.) . . . . .	† 55-7304-9
Lockwasher (Mounting rear support to rear bracket) (6 ea.) . . . . .	† 55-4510-9
Machine Screw (Mounting reducer bracket to base) . . . . .	† 50-3236-9
Flatwasher (Mounting reducer bracket to base) . . . . .	† 55-7304-9
Lockwasher (Mounting reducer bracket to base) . . . . .	† 55-4510-9
Coupling With Set Screw & Spider . . . . .	No Longer Available
Key, For Coupling . . . . .	37-1008-1

### AUGER & BEARING ASSEMBLY

Auger Assembly . . . . .	No Longer Available
Auger Contactor . . . . .	No Longer Available
Upper Bearing Assembly (Includes upper bearing shaft, pin & housing) . . . . .	† 10992-1
Upper Bearing (Only) . . . . .	37-3003-1
Upper Shaft (Only) . . . . .	37-1012-1
Upper Shaft Pin (Only) . . . . .	37-1011-1
Upper Bearing Housing (Only) . . . . .	10419-1
Lower Bearing Housing Assembly (Includes lower bearing shaft, pin & housing) . . . . .	11691-1
Lower Bearing Housing (Only) . . . . .	No Longer Available
Lower Bearing Shaft (Only) Up to SN 850662238 . . . . .	37-1019-1
Lower Bearing Shaft (Only) After SN 850662238 Use . . . . .	37-1033-3
Lower Bearing (Only) . . . . .	37-3003-1
Lower Bearing Shaft Pin (Only) Up to SN 850662238 . . . . .	37-1013-1
Lower Bearing Shaft Pin (Only) After SN 850662238 Use:	
Pin . . . . .	37-1032-3
Screw . . . . .	No Longer Available
Washer . . . . .	† 55-4511-9
Housing, For Lower Bearing Seal . . . . .	No Longer Available
Seal With Seat, For Lowering Bearing . . . . .	37-0501-1
Lower Bearing Mounting Bolt . . . . .	50-1307-1
Lower Bearing Mounting Bolt Locknut . . . . .	† 54-3002-9
Upper Bearing Mounting Bolt . . . . .	† 50-3184-9
Upper Bearing Mounting Bolt Nut . . . . .	† 54-2953-9
Upper Bearing Mounting Bolt Washer . . . . .	† 55-4511-9
Auger Access Door (Drilled) . . . . .	No Longer Available
Auger Access Door Mounting Thumbscrews . . . . .	† 50-0001-3
Damper Door . . . . .	No Longer Available
Damper Door Pin . . . . .	No Longer Available
Damper Door Pin Washer . . . . .	No Longer Available

† Refer to Cross Reference Guide

## AM0600, CONTINUED

### DRAIN FITTING GROUP

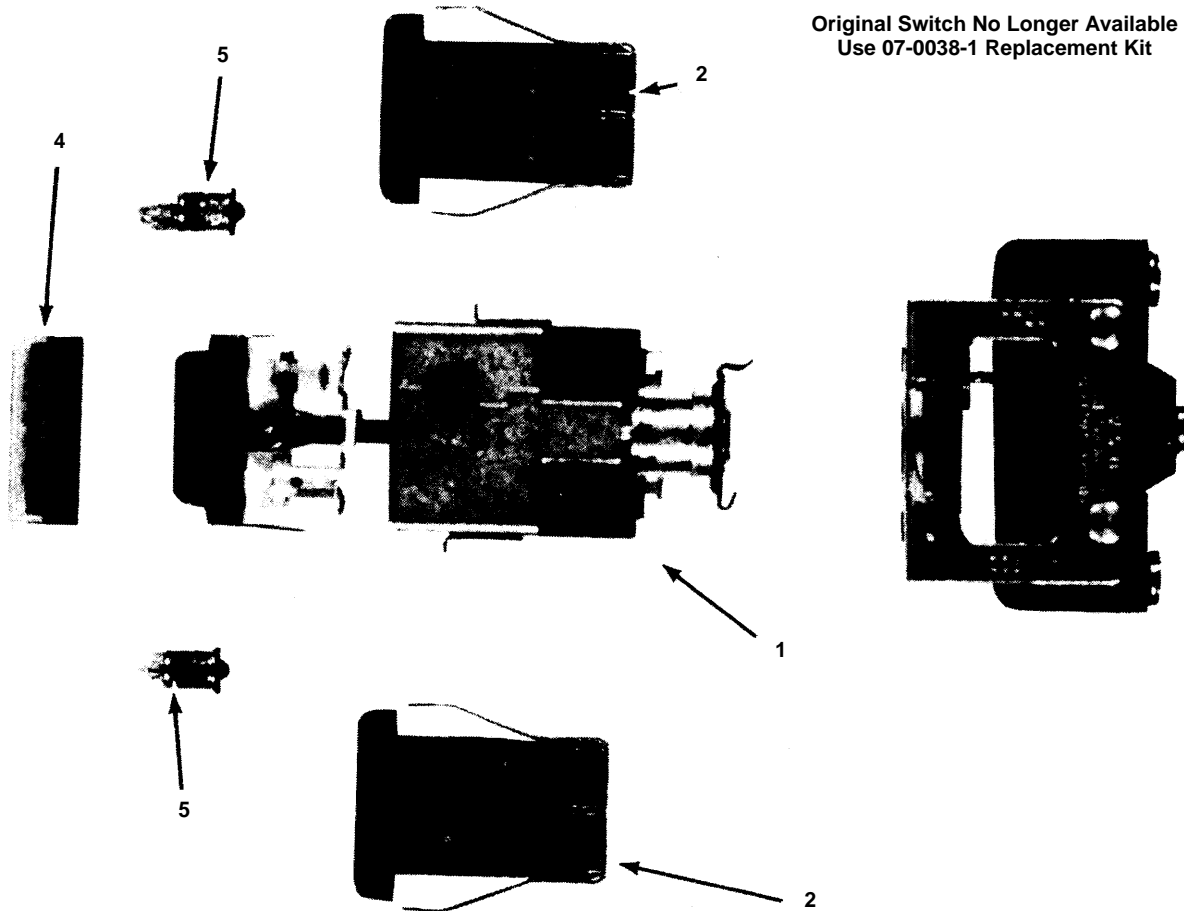
### PART NO.

Bin Drain Assembly .....	No Longer Available
Base Drain Assembly .....	No Longer Available
Sheet Metal Screw (Mounting drain fitting to base) .....	No Longer Available
Tygon Tubing 29" Long (Cube tray pan to drain pan) .....	† 44-2033-3
Tygon Tubing 17" Long (Drain pan to drain adapter) .....	† 44-2033-3
Tygon Tubing 22" Long (Tee to drain adapter) .....	† 44-2033-3
Tygon Tubing 14" Long (Drain pan center to tee) .....	† 44-2033-3
Tygon Tubing 3" Long (Drain pan to tee) .....	† 44-2033-3
Insert Tee .....	No Longer Available

### 07-0038-3 Switch Replacement Kit

Actuator Button .....	No Longer Available
Microswitch .....	No Longer Available
Exterior Plate .....	612261-4
Back-up Plate .....	612271-4
Hex Nuts .....	† 54-2878-9

DETAIL 1



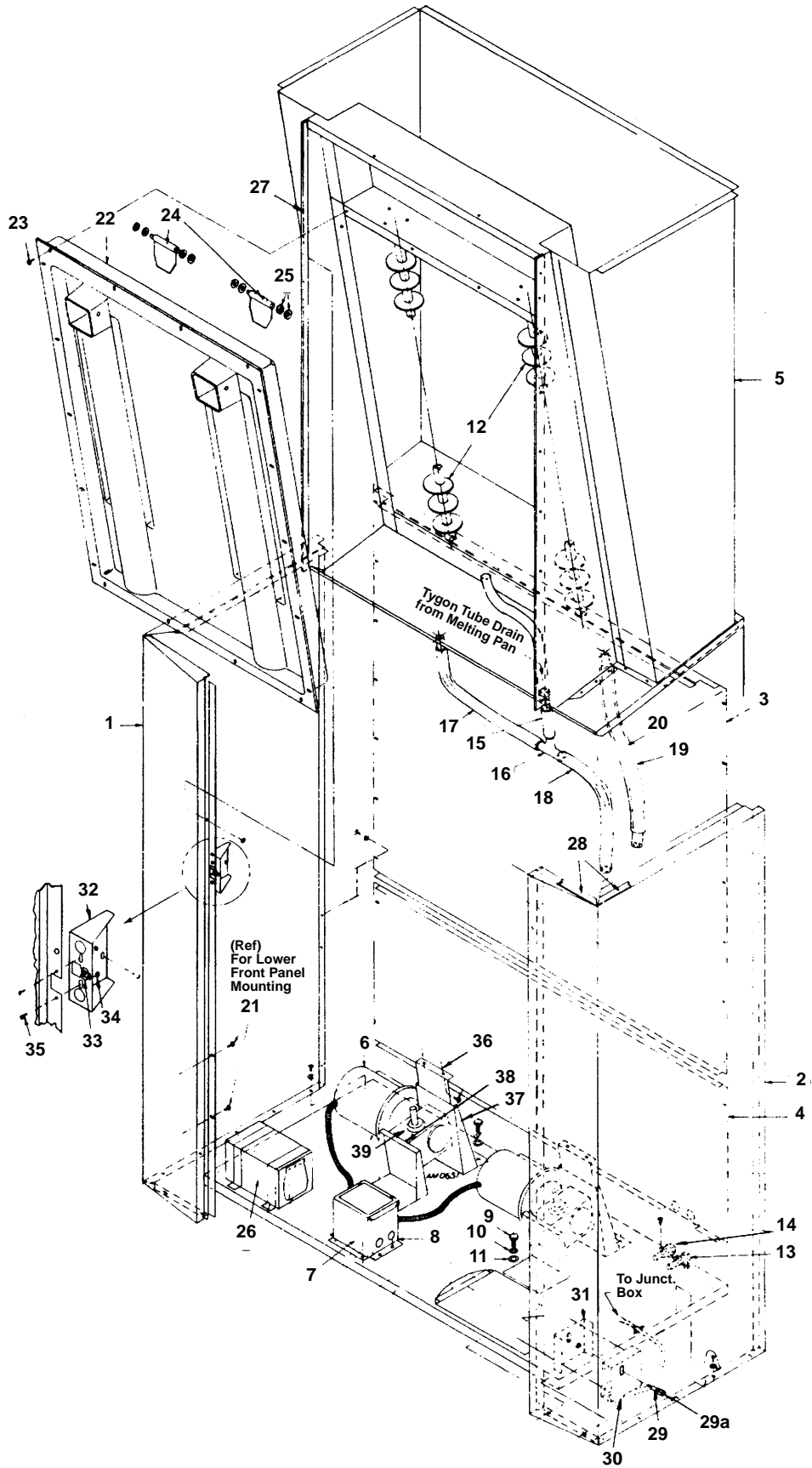
- 1 Push Button Switch Housing and Lamp Holder
- 2 Push Button Switch Barrier 2 Per
- 3 Push Button Switch Unit (Less wires) Microswitch
- 4 Push Button Switch Display Screen
- 5 Push Button Switch Lamp 28 Volt 2 Per

2041

† Refer to Cross Reference Guide

# AM0600, CONTINUED

DETAIL 2



2042

## AM0600, CONTINUED

### CABINET GROUP – DETAIL 2

		<b>PART NO.</b>
1	Left Hand Side Panel .....	No Longer Available
2	Right Hand Side Panel .....	No Longer Available
3	Upper Rear Panel .....	No Longer Available
4	Lower Rear Panel .....	No Longer Available
5	Bin Liner .....	No Longer Available
6	Gear Drive Assembly .....	See Gear Drive Group
7	Junction Box Cover .....	No Longer Available
8	Junction Box .....	No Longer Available
9	Machine Screw .....	† 50-3236-9
10	Lockwasher .....	† 55-4510-9
11	Flatwasher .....	† 55-7304-9
12	Auger Assembly (4") (Not used on AM0654) .....	No Longer Available
13	Drain Fitting Assembly (Bin) .....	No Longer Available
14	Drain Fitting Assembly (Melting pan & bin drain pan) .....	No Longer Available
15	Tygon Tubing 3" Long .....	† 44-2033-3
16	Tee Inset .....	No Longer Available
17	Tygon Tubing 14" Long .....	† 44-2033-3
18	Tygon Tubing 21 1/2" Long .....	† 44-2033-3
19	Tygon Tubing 16 1/2" Long .....	† 44-2033-3
20	Armaflex 20 1/2" Long .....	40-8008-1
21	Lower Panel Thumb Mounting Screws .....	† 50-0001-3
22	Auger Access Door (Not used on AM0654) .....	No Longer Available
23	Auger Access Door Mounting Thumbscrew .....	† 50-0001-3
24	Damper Door .....	No Longer Available
25	Damper Door Washer .....	No Longer Available
26	606 Legs .....	Order Through Sales
27	Cork Tape .....	No Longer Available
28	Foam Tape .....	† 92-0248-9
29	Key Operated Switch With Key, Cam & Nut .....	No Longer Available
29a	Master Key (For key lock-out switch) .....	30-6007-1
30	Key Lock Bracket .....	No Longer Available
31	Key Lock Cover .....	No Longer Available
32	Door Lock Bracket .....	† 652082-4
33	Speed Grip Nut .....	† 54-7501-9
34	Hex Nuts .....	† 54-2906-9
	Switch Box Cover .....	No Longer Available
35	Sheet Metal Screw 8 x 112 .....	† 51-2464-9
36	Liner Support Bracket (Rear) .....	No Longer Available
37	Motor Mounting Bracket (Rear) .....	652111-4
38	Motor Mounting Bracket (Front) .....	652971-4
39	Gear Reducer .....	No Longer Available

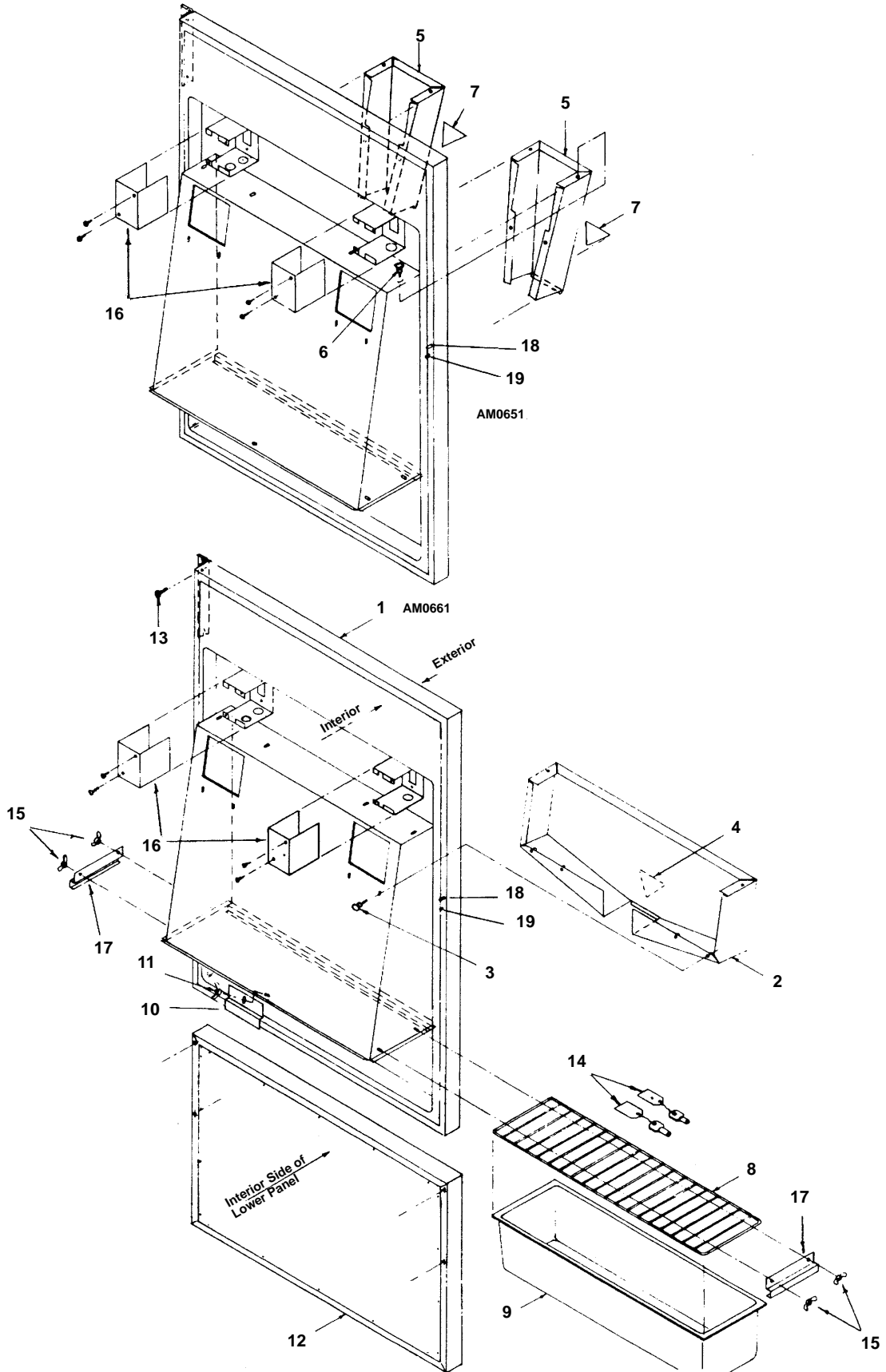
### NOT SHOWN

	Ice Deflector, Mounted on Upper Bearing Housing .....	No Longer Available
	Key Lock-out Microswitch .....	23-0060-1
	Transformer .....	No Longer Available

† Refer to Cross Reference Guide

# AM0600, CONTINUED

## DETAIL 3



## AM0600, CONTINUED

### DETAIL 3

### PART NO.

1	Door Assembly . . . . .	No Longer Available
2	Dual Ice Chute Assembly . . . . .	No Longer Available
3	Thumbscrew . . . . .	† 50-0001-3
4	Label (Place container here) . . . . .	81-3038-1
5	Ice Chute (Long) . . . . .	30043-1
6	Thumbscrew . . . . .	† 50-0001-3
7	Label (Place container below) . . . . .	81-3038-1
8	Wire Grill . . . . .	No Longer Available
9	Melting Tray Pan Assembly . . . . .	30083-1
10	Retainer Bracket . . . . .	No Longer Available
11	Retainer Bracket Wing Nut . . . . .	† 54-8904-9
12	Lower Panel Assembly . . . . .	No Longer Available
	Melting Pan Retainer Wing Nuts . . . . .	† 54-8904-9
	Melting Pan Retainer . . . . .	
13	Door Hinge Screw . . . . .	† 50-2624-9
14	Door Lock by (Master) . . . . .	30-6007-1
15	Wing Nuts . . . . .	† 54-8904-9
16	Push Button Switch Cover . . . . .	No Longer Available
17	Melting Tray Retainer Bracket . . . . .	No Longer Available
18	Door Lock Locating Pin . . . . .	37-1022-1
19	Door Lock & Key . . . . .	† 30-6026-3

### GEAR DRIVE & MOTOR ASSEMBLY 50 CYCLE ONLY

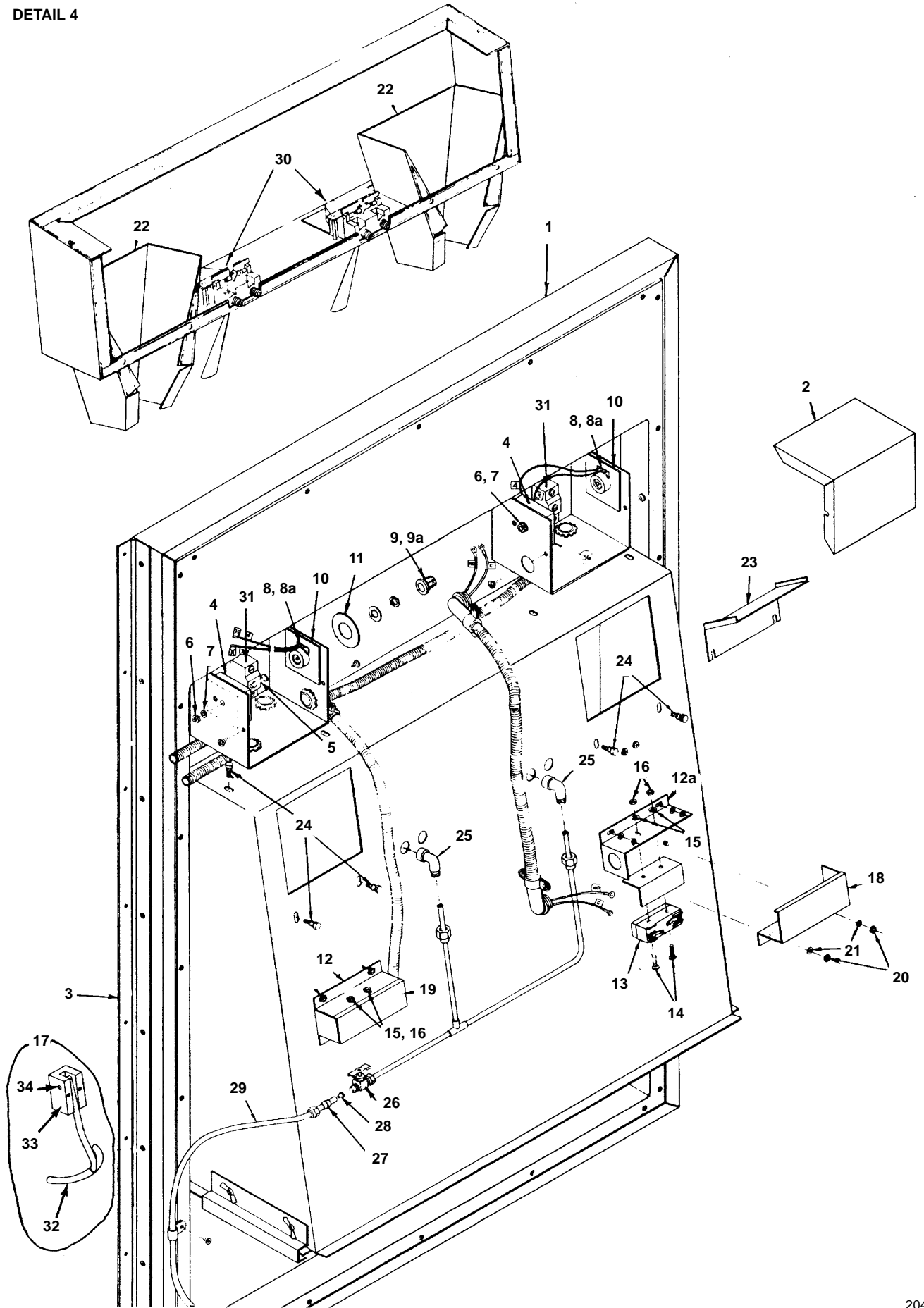
Gear Drive 50 Cycle Only . . . . .	No Longer Available
Gear Drive Motor (50 Cycle Only) . . . . .	24-1213-1

† Refer to Cross Reference Guide



# AM0654

## DETAIL 4



## AM0654, CONTINUED

### DETAIL 4

### PART NO.

(Any Parts Not Listed Under AM0654, Use The Same Parts Previously Listed)

1	Front Door Assembly .....	680551-4
2	Push Button Switch Box Cover .....	650661-4
3	Hinge Continuous .....	No Longer Available
4	Time Delay (Before SN AC0150 use kit 89-5010-3) .....	No Longer Available
5	Machine Screw No. #6-32 x 1" Long .....	† 50-2329-9
6	#6-32 Brass Nut .....	† 54-2878-9
7	#8 Lockwasher .....	† 55-4459-9
8	Potentiometer (After SN AC0150) .....	No Longer Available
8a	Potentiometer (Before SN AC0150) .....	No Longer Available
9	Potentiometer Knob (Used with 24-0901-3) .....	No Longer Available
9a	Potentiometer Knob (Used with 24-0902-3) .....	No Longer Available
10	Insulation - Fish Paper .....	† 608201-4
11	Label Potentiometer Time Setting .....	81-3074-3
12	Trigger Switch Bracket (Left hand) .....	No Longer Available
12a	Trigger Switch Bracket (Right hand) .....	No Longer Available
13	Trigger Button Microswitch Replacement Kit .....	07-0056-3
13a	Switch Only .....	No Longer Available
14	Machine Screw No. #6-32 x 7/8" Long .....	† 50-2329-9
15	Lockwasher #8 .....	† 55-4459-9
16	Hex Nut No. #6-32 Brass .....	† 54-2878-9
17	Dispensing Arm Assembly .....	No Longer Available
18	Trigger Switch Bracket Cover (Right hand) .....	No Longer Available
19	Trigger Switch Bracket Cover (Left hand) .....	No Longer Available
20	#6-32 Hex Nut Brass .....	† 54-2878-9
21	#8 Lockwasher .....	† 55-4459-9
22	Ice Chute Assembly .....	No Longer Available
23	Ice Ramp .....	No Longer Available
24	Knurled Head Machine Screws .....	† 50-0001-3
25	90 Degree Female Elbow .....	No Longer Available
26	Shut Off Valve With 2 Comp. Nuts .....	13-6056-3
27	1/4 Brass Sleeves .....	No Longer Available
28	Nylon Insert .....	† 44-2030-9
29	Tygon Tube .....	44-2029-1
30	Water Dispensing Valve .....	† 202-FN-1101
31	Push Button Microswitch (See Detail 1, Page 4) .....	07-0038-3
32	Ice Dispensing Arm With Pivot Block .....	No Longer Available
33	Water Trigger (White) .....	No Longer Available
34	Pin. For Pivot Block & Arm .....	† 37-1202-9

### NOT SHOWN

3"	Auger .....	681951-4
	Water Regulator .....	No Longer Available
	Auger Access Door .....	No Longer Available
	Single Pole Contactor .....	No Longer Available

† Refer to Cross Reference Guide