

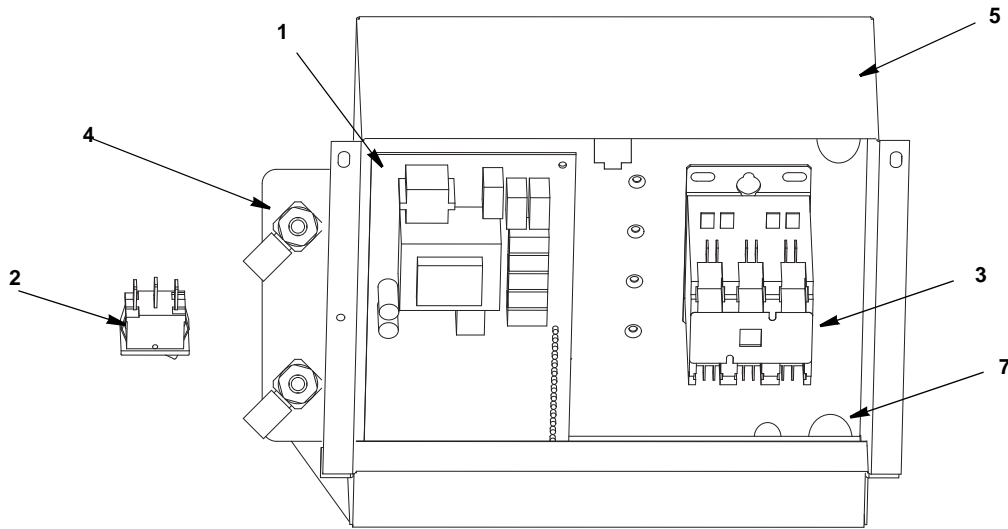


## **Ice Machine Parts List for Series S3300 Models**

**SD3303W**

**SY3305W**

# S3300 CONTROL BOX



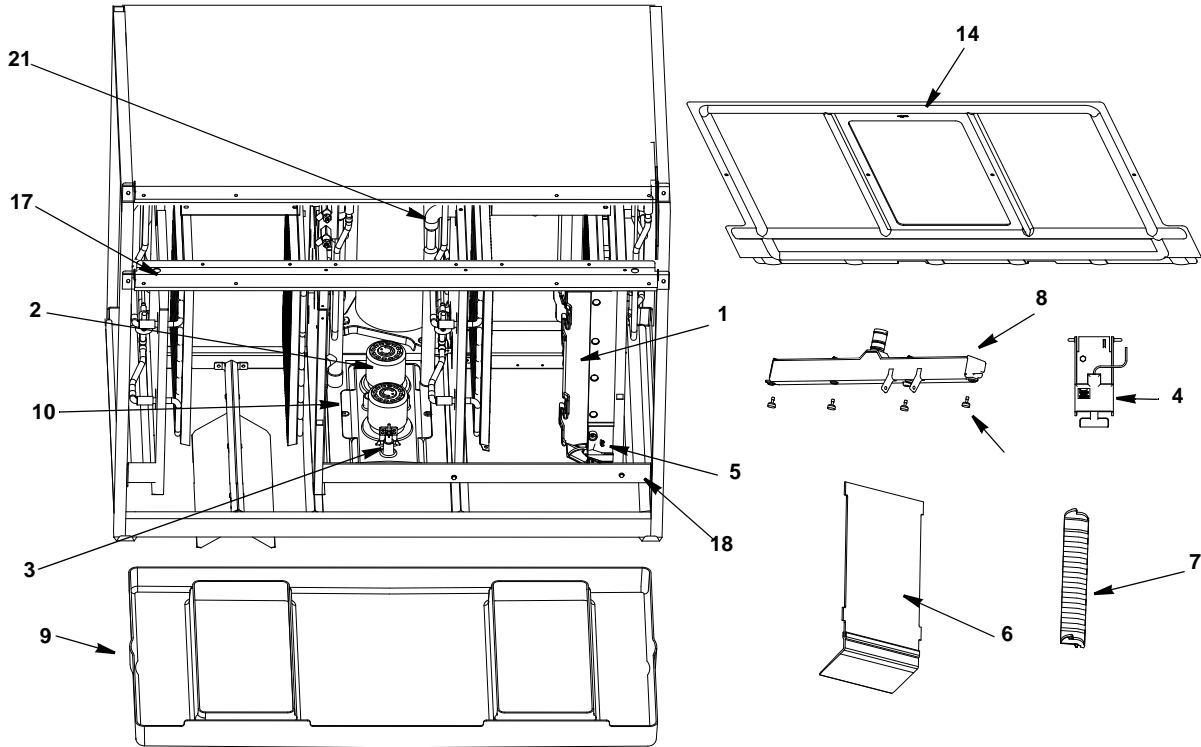
**DESCRIPTION**

	<b>DESCRIPTION</b>	<b>PART NO.</b>
1	Control Board (for use with all voltages) . . . . .	000003284
	a. 7 Amp Fuse – Mounted on Control Board . . . . .	25-1100-3
2	<b>Toggle Switch</b> Only . . . . .	20-0793-9
	a. Toggle Switch Wiring Harness . . . . .	000002858
	b. Toggle Switch Box . . . . .	40-1163-9
3	<b>Contactor</b>	
	a. 208-230V/60 Hz/3 Ph . . . . .	20-0661-9
4	Refrigeration Service Valve Assembly . . . . .	83-7325-3
	a. Mounting Bracket . . . . .	000003278

**Miscellaneous – Brackets, Screws, etc.**

5	Control Box . . . . .	000003088
	a. Control Box Cover (Not shown) . . . . .	000003089
	b. Control Box Bracket . . . . .	606724-9
6	Control Board Mounting Supports (Not shown) . . . . .	43-0225-3
7	Bushing . . . . .	25-0219-3
8	Screw, #10-24 x .50 Ground . . . . .	52-0216-9
	a. Star Washer . . . . .	55-7320-9
9	Screw, #10-24 x .50 . . . . .	52-0206-9
10	Wiring Harnesses (Not shown)	
	a. Control Box 230/60/3 . . . . .	000002860
	b. Harvest Air Assist Pump . . . . .	
	c. Curtain Switch . . . . .	000002859
	d. Bulkhead Water . . . . .	000003253
	e. Low Pressure Protection . . . . .	000003260
	f. Compressor . . . . .	000003172
	g. Water (incoming power supply) . . . . .	000003170

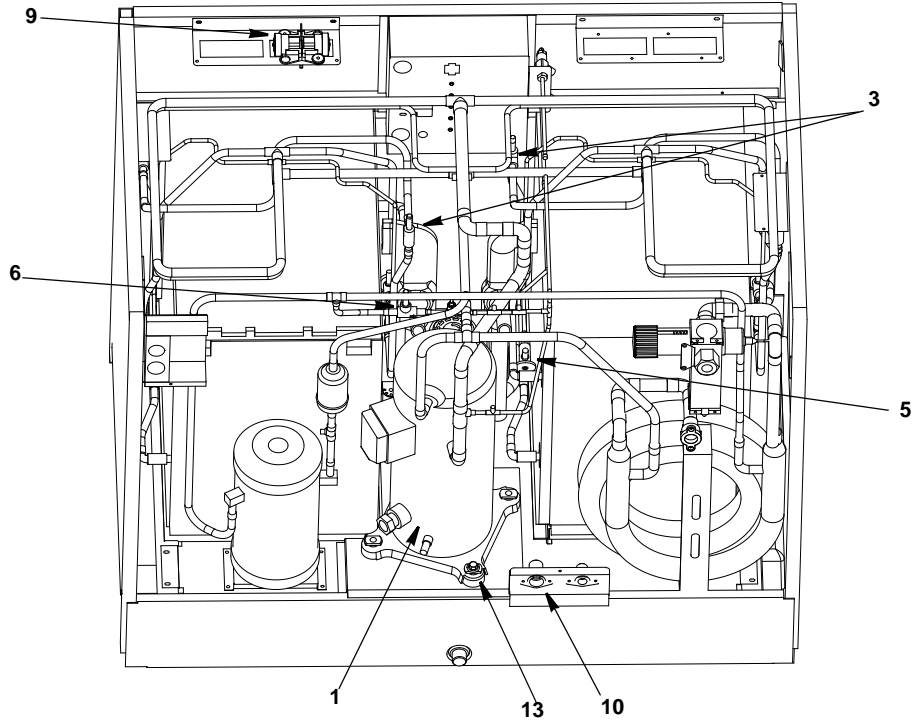
# S3300 EVAPORATOR COMPARTMENT



## DESCRIPTION

DESCRIPTION	PART NO.
<b>1 Evaporator Assembly</b>	
a. Dice Cube . . . . .	000002783
b. Half Dice Cube . . . . .	000002784
<b>2 Water Pump 230V/50 Hz . . . . .</b>	000000259
<b>3 Water Level Probe . . . . .</b>	20-0654-9
a. Holder . . . . .	20-0655-9
b. Bracket . . . . .	000002070
c. Wire, control box to probe . . . . .	20-0798-9
d. Screw (to mount water level probe holder) . . . . .	52-0232-9
<b>4 Ice Thickness Control Probe (not shown) . . . . .</b>	20-0802-9
a. Clip (holds ice thickness probe wire to bulkhead) . . . . .	56-5090-9
<b>5 Magnetic Switch . . . . .</b>	000003168
a. Covers . . . . .	000001421
<b>6 Splash Shields . . . . .</b>	000002785
<b>7 Ice Damper Assembly . . . . .</b>	000002056
<b>8 Water Distribution Tube Assembly . . . . .</b>	76-0219-3
a. Molded Vinyl Tube (to Right Hand Distribution Tubes) . . . . .	000001118
b. Molded Vinyl Tube (to Left Hand Distribution Tubes) . . . . .	000001117
c. Barbed Fitting . . . . .	000001986
d. Clamp (for barbed fitting) . . . . .	56-5060-9
e. Clamp (vinyl tubes to distribution tubes) . . . . .	56-5053-9
f. Fitting (through bulkhead) . . . . .	40-1469-3
g. Fitting Bracket . . . . .	000001923
a. O-Rings (Back of Distribution Assembly) . . . . .	50-0464-9
<b>9 Water Trough . . . . .</b>	000002956
<b>Miscellaneous – Covers, Brackets, Screws, etc.</b>	
<b>10 Water Pump and Water Level Probe Mount . . . . .</b>	000002955
<b>11 Screw, (Water Distribution Tube Mounting) Each . . . . .</b>	50-0479-9
a. O-Ring . . . . .	50-0462-9
<b>12 Screw, #12-16 x .687 Used to Mount Evaporator (Each) . . . . .</b>	50-0461-9
<b>13 Evaporator Top Covers . . . . .</b>	000003107
<b>14 Evaporator Front Cover . . . . .</b>	000002993
<b>15 Evaporator Top Filler Covers . . . . .</b>	000002176
<b>16 Evaporator Bottom Covers . . . . .</b>	000001416
<b>17 Evaporator Top Support . . . . .</b>	000003026
<b>18 Evaporator Bottom Support . . . . .</b>	000003025
<b>19 Screw, #12-16 x .687 Used to Mount Evaporator . . . . .</b>	50-1231-9
<b>20 Water Level Probe</b>	
a. Holder . . . . .	20-0655-9
b. Bracket . . . . .	000003355
c. Screw to Mount Water Level Probe Holder . . . . .	52-0206-9
<b>21 Molded Vinyl Tubing</b>	
a. Water Pump to Distribution Tube (Evaporators 1 & 3) . . . . .	000003112
b. Water Pump to Distribution Tube (Evaporators 2 & 4) . . . . .	000003111
c. Cross Over (Connects 1 & 2 and 3 & 4) . . . . .	000003113

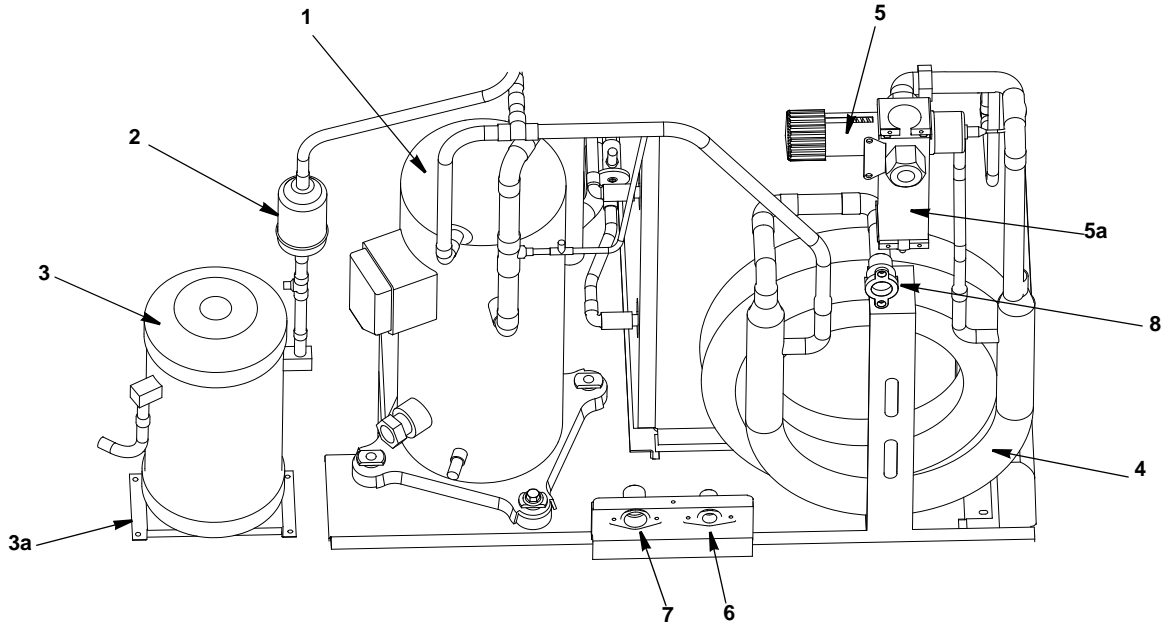
## S3300 REFRIGERATION COMPARTMENT



### DESCRIPTION

	DESCRIPTION	PART NO.
1	<b>Compressor</b>	
	a. 208-230V/60 Hz/3 Ph . . . . .	82-5018-3
2	<b>Water Dump Valve</b>	
	a. Dump Valve, 208-230V/50-60 Hz . . . . .	000000031
3	<b>Harvest Valve</b>	
	a. Harvest Valve Including 208/230V 50/60 Hz Electrical Coil Danfoss . . . . .	76-3010-1
	b. Harvest Valve 208/230V 50/60 Hz Coil Only Danfoss . . . . .	000005157
4	<b>Water Inlet Valve</b> Including 208-240V/50-60 Hz Coil . . . . .	000002884
5	<b>Expansion Valve</b> . . . . .	000003158
	a. Expansion Valve Body Insulation Boot . . . . .	40-0040-3
	b. Expansion Valve Bulb Insulation Boot . . . . .	40-0092-3
6	Liquid Line Solenoid Valve . . . . .	82-5135-3
7	High Pressure Cut-out (Auto Reset) . . . . .	20-0124-3
8	Low Pressure Cut-out . . . . .	20-0222-9
9	<b>Air Compressor</b>	
	a. Air Compressor Pumps 230V . . . . .	20-0935-3
	b. Manifold Tee (Air Pump Tubing Outlet) . . . . .	40-1173-3
	c. Nozzle . . . . .	30-0145-3
	d. Bracket . . . . .	000003106
<b>Miscellaneous – Brackets, Screws, etc.</b>		
10	<b>Water Drain</b>	
	a. Female Wing Adapter . . . . .	87-0609-3
	b. Clear Tubing, .625 ID x 12 inches . . . . .	44-2038-3
	c. Clamp . . . . .	56-5070-9
11	<b>Water Inlet Valve</b>	
	a. Tubing . . . . .	40-1043-9
	b. Connector . . . . .	13-6098-9
	c. Bracket . . . . .	000002064
	d. Wing Adapter . . . . .	87-0608-3
	e. Wing Adapter Plastic Fitting . . . . .	13-6096-1
12	<b>Water Dump Valve</b>	
	a. Mounting Bracket . . . . .	000003257
	b. Tubing . . . . .	000003110
13	<b>Compressor Mounting</b>	
	a. Base . . . . .	000003028
	b. Support Bracket . . . . .	000003086
	c. Rubber Grommet . . . . .	85-0485-9
	d. Sleeve . . . . .	85-0394-9
	e. Bolt . . . . .	50-0481-9
	f. Nut . . . . .	50-0482-9
14	Heat Exchanger Mounting Bracket . . . . .	000003352
15	Clamp, Expansion Valve Bulb . . . . .	56-5052-9
16	Copper Bulb Strap . . . . .	30-0050-3
17	Screw, #10-24 x .50 . . . . .	52-0206-9

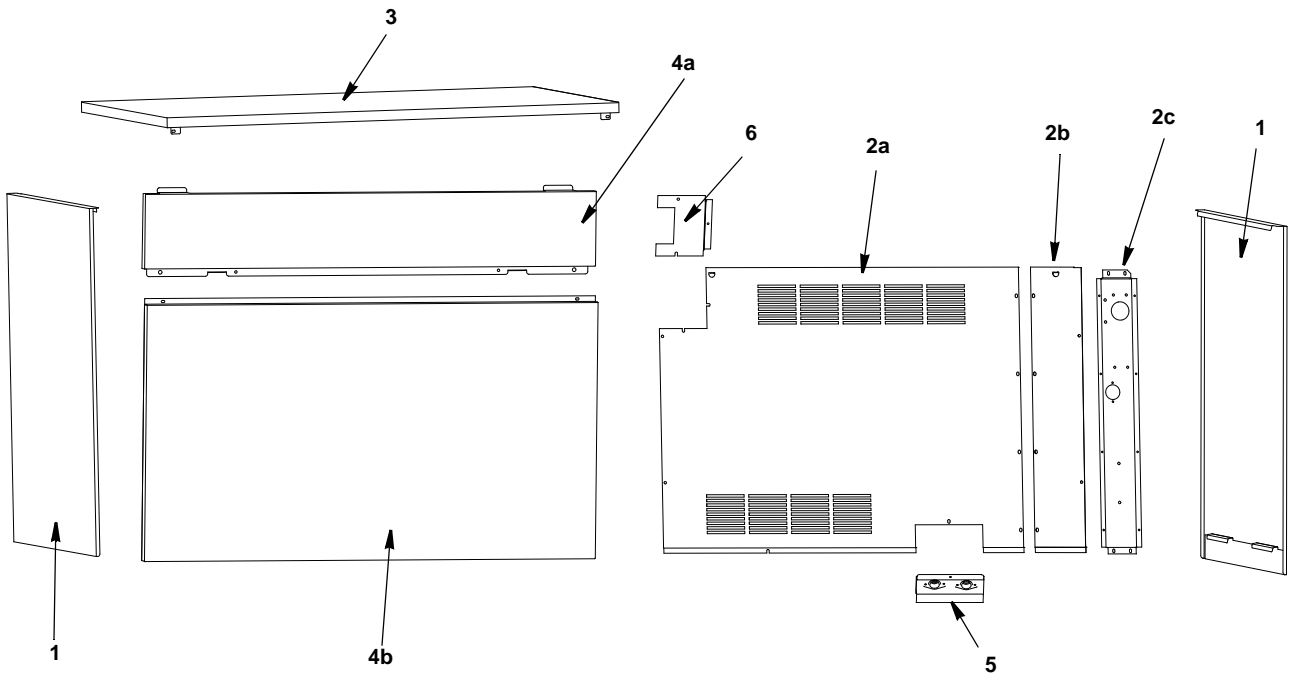
## S3300 REFRIGERATION COMPARTMENT – WATER-COOLED



### DESCRIPTION

	<b>PART NO.</b>
1 Compressor 208-230V/60 Hz/3 Ph .....	82-5018-3
2 Drier (DML0845S) .....	000002883
3 Receiver .....	000006791
a. Mounting Bracket .....	000003256
4 Water-Cooled Condenser (with Mounting Bracket) .....	000002857
5 Water Regulating Valve	
a. Normal Pressure (up to 275 psig) .....	000003196
b. High Pressure (up to 350 psig) .....	000002875
c. Mounting Bracket .....	000003279
6 Water Drain Female Wing Adapter .....	87-0609-3
7 Water Inlet Female Wing Adapter .....	87-0603-3
8 Water-Cooled Condenser Drain Fitting .....	000003087

# S3300 PANELS



## DESCRIPTION

	<b>DESCRIPTION</b>	<b>PART NO.</b>
1	Side Panels .....	000002811
2	Back Panels	
	a. Large Left Panel .....	000003259
	b. Small Right Panel .....	000003258
	c. Water Condenser Support Panel .....	000003029
3	Top Cover .....	000002814
4	Front Panel	
	a. Upper .....	000002817
	b. Lower .....	000002816
5	Water In/Out Panel .....	000003255
6	Electrical Connection	
	a. Box .....	000003991
	b. Cover .....	000003993