



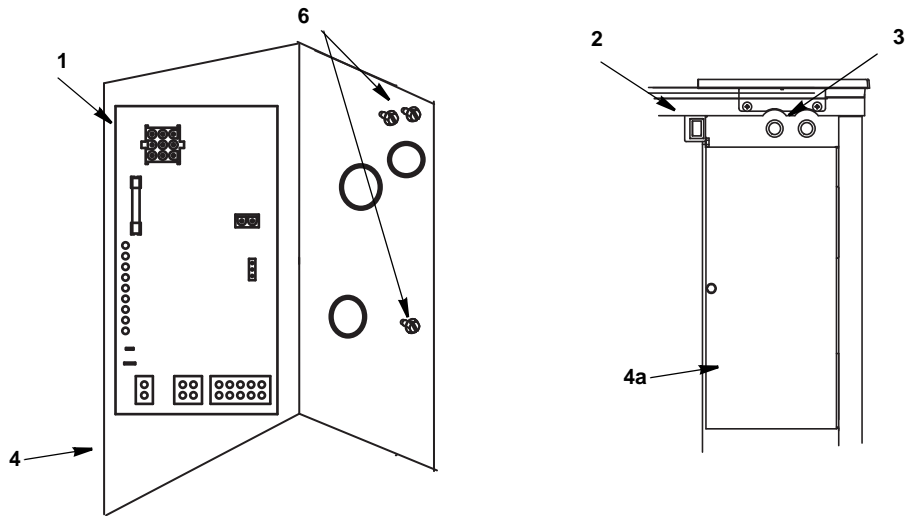
**Ice Machine Parts List for
Series S0680C Models**

SD0682C

SY0684C

CVD0685

S0680C CONTROL BOX

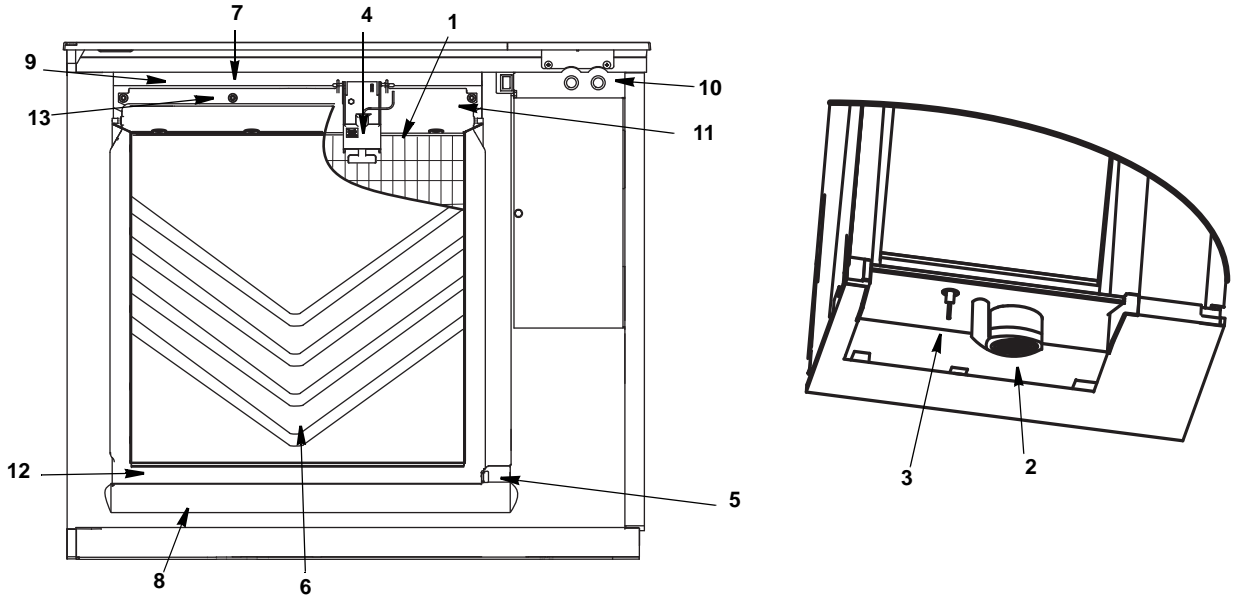


DESCRIPTION

	PART NO.
1 Control Board (for use with all voltages)	20-0619-9
a. 7 Amp Fuse – Mounted on Control Board	25-1100-3
2 Toggle Switch Only	20-0793-9
a. Toggle Switch Wiring Harness	20-0807-9
b. Toggle Switch Box	40-1163-9
3 Refrigeration Service Valve Assembly	83-7326-3
Miscellaneous – Brackets, Screws, etc.	
4 Control Box	76-0214-3
a. Control Box Cover	76-0215-3
5 Control Board Mounting Supports (Not shown)	43-0225-3
6 Screw, #10-24 x .50 Ground	52-0216-9
a. Star Washer	55-7320-9
7 Control Box Wiring Harness (Not shown)	
a. 115V/60Hz/1Ph	20-0776-9
b. 230V/50Hz/1Ph	20-0777-9

† Refer to Cross Reference Guide

S0680C EVAPORATOR COMPARTMENT



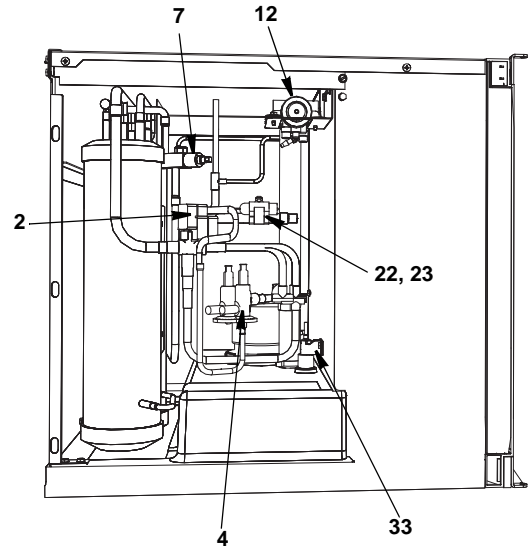
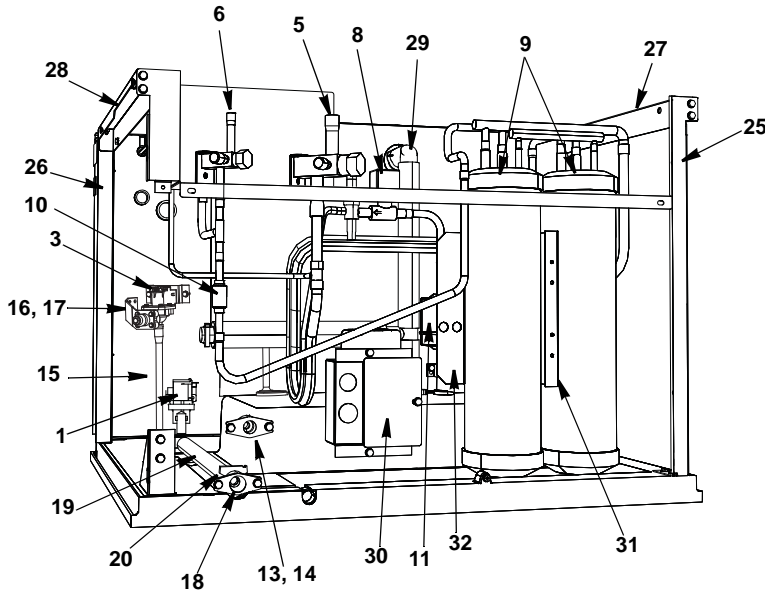
DESCRIPTION

	DESCRIPTION	PART NO.
1	Evaporator Assembly	
	a. Dice Cube	76-0283-9
	b. Half Dice Cube	76-0284-9
	c. Regular Cube	76-0285-9
2	Water Pump	
	a. 115V/60Hz.	82-5112-9
	b. 230V/50 Hz	82-5210-9
3	Water Level Probe	
	a. Wire control box to probe	20-0654-9
	b. Control box	20-0798-9
4	Ice Thickness Control Probe	20-0802-9
5	Magnetic Bin Switch	20-0681-9
6	Water Curtain	20-0681-9
7	Water Distribution Tube Assembly	40-1097-9
	a. O-Rings (Back of Distribution Assembly)	76-0219-3
	b. Molded Vinyl Tube (distribution tube to water pump)	50-0464-9
8	Water Trough	40-0847-9
9	Evaporator Top Filler Panel	40-0360-9
	a. Stainless Steel Clamp	40-0846-9
	b. Clamp Screw	606333-9
10	Access Valve	52-0209-9
11	Evaporator Top Frame and Gasket Assembly (Not shown)	83-7326-3
12	Water Diverter	76-0220-3
	a. Thumbscrew	76-0221-3
	b. Nut	53-0512-3

Miscellaneous – Brackets, Screws, etc.

13	Screw, Water Distribution Tube Mounting (Each)	50-0479-9
	a. O-Ring	50-0462-9
14	Screw, #12-16 x .687 Used to Mount Evaporator (Each)	50-0461-9
15	Water Pump Base O-Ring	50-0465-9
16	Water Pump Outlet O-Ring	50-0467-9
17	Vinyl Tubing 0.625 ID (dump valve to drain adapter)	000001382
	a. Insulation	603883-1

S680C REFRIGERATION COMPARTMENT



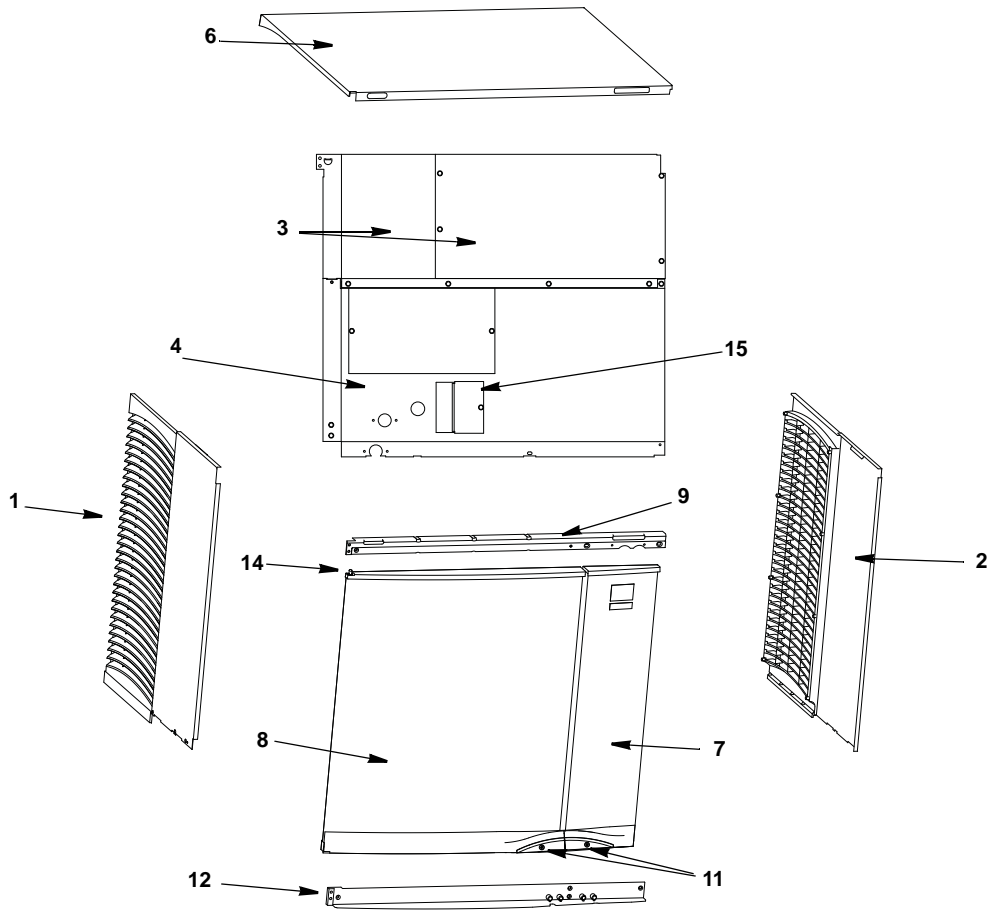
DESCRIPTION

	DESCRIPTION	PART NO.
1	Water Dump Valve	
	a. 115V/60Hz/1PH	20-0779-9
	b. 208/230V/50/60Hz/1PH	000001768
2	Harvest Valve	
	a. Solenoid Valve with 115/60/1 Electrical Coil (Alco)	76-3005-1
	b. Solenoid Valve With Coil 208/230V 50/60Hz	76-3011-1
	c. 115V/60 Hz Electrical Coil Only Alco	000005156
	d. 208/230V 50/60 Hz Electrical Coil Only Alco	000005157
3	Water Inlet Valve	
	a. Water Inlet Valve Including 115V/60 Hz Coil	000000377
	b. Water Inlet Valve Including 208/230V 50/60 Hz Electrical Coil	000000378
4	Expansion Valve	76-0019-3
	a. Expansion Valve Body Insulation Boot	40-1329-9
	b. Expansion Valve Bulb Insulation Boot	40-0720-3
5	Manual Shut-off Valve Suction Line	83-7330-3
	a. Valve Cap	83-7302-3
	b. Insulation Boot	40-0740-3
6	Manual Shut-off Valve Liquid Line	83-7329-3
	a. Valve Cap	83-7302-3
7	Receiver Service Valve	† 83-7316-9
	a. Valve Cap	56-5075-3
8	Liquid Line Solenoid Valve	
	a. Liquid Line Solenoid Valve Including 115V/60 Hz Coil (Danfoss)	76-3000-1
	b. 115V/60 Hz Coil Only Danfoss	000005156
	c. Liquid Line Solenoid Valve Including 208/230V 50/60 Hz Electrical Coil (Danfoss)	76-3006-1
	d. 208/230V 50/60 Hz Coil Only Danfoss	000005157
9	Receiver	82-5058-3
10	Check Valve	† 83-7314-9
11	Drier	89-3027-9
12	Air Assist Pump	
	a. 115V	20-0934-3
	a. 230V	20-0935-3
	b. Manifold	40-1173-9
	c. Bracket	000001496
	d. Nozzle	30-0145-3

Miscellaneous – Brackets, Screws, etc.

13	Water Inlet Valve Wing Adapter	87-0609-3
14	Water Inlet Valve Wing Adapter Plastic Fitting	13-6096-1
15	Water Inlet Valve Tubing	40-1043-9
16	Connector (Water Inlet Valve)	13-6098-9
17	Water Inlet Valve Bracket	605845-9
18	Water Drain Female Wing Adapter	87-0608-3
19	Water Drain Clear Tubing, .625 ID x 12 inches	44-2038-9
20	Clamp, Water Drain	56-5070-9
21	Dump Valve Tubing (3.25 Inches)	44-2038-3
22	Clamp, Expansion Valve Bulb	56-5052-9
23	Copper Bulb Strap	30-0050-3
24	Screw, #10-24 x .50	52-0206-9
25	Left Corner Post	606293-1
26	Right Corner Post	606292-1
27	Left Top Channel	606864-9
28	Right Top Channel	606257-1
29	Insulated Tube (vinyl tubing from distribution tube to water pump & dump valve)	000003405
	a. Clamp .859/.989 ID	56-5060-3
	b. Clamp .799/.899 ID	56-5070-3
30	Electrical Box on Rear of Ice Machine	
	a. Box	Included in Back Panel Assembly
	b. Terminal Block 3 Pole	20-0614-9
	c. Groundscrew #10-24 x .50	52-0216-9
31	Receiver Mounting Bracket	606466-9
32	Receiver Bracket	606465-1
33	Holder Water Level Probe	20-0655-9
	a. Screw To Mount Water Level Probe Holder	52-0206-9

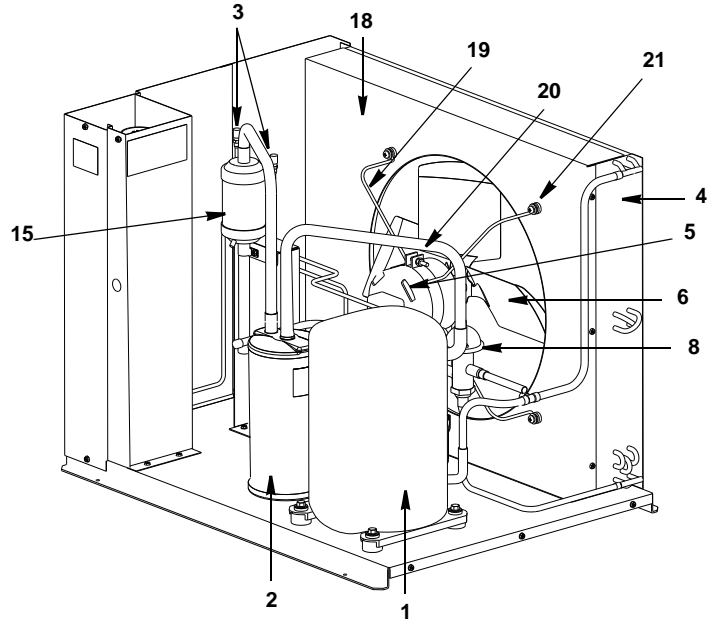
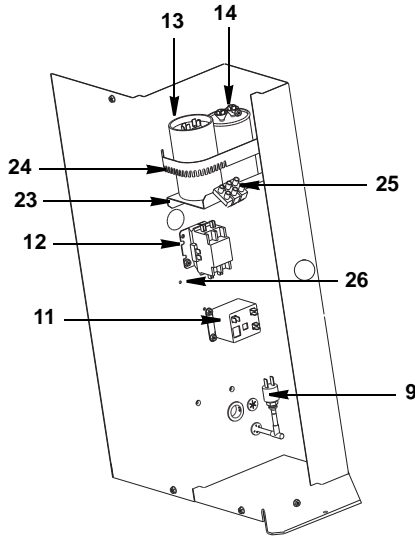
S680C HEAD SECTION PANELS



DESCRIPTION

	DESCRIPTION	PART NO.
1	Left Side Panel	606053-9
2	Right Side Panel	606052-9
3	Top Back Panels	
	a. Left Side	606464-9
	b. Right Side	606463-9
4	Bottom Back Panel	605968-9
5	Coupling Panel	606280-9
Aluminum Front Top Support on machine (replace all)		
6	Top Cover	40-1548-3
7	Right Door	607166-1
8	Left Door	607165-1
9	Front Top Rail	000000295
	Mounting Screw Left Side 8-32 x 1	50-0537-9
	Mounting Screw Right Side 10-24 x .50	50-0509-9
Plastic Front Top Support on machine (replace as needed)		
7	Top Cover	40-1548-3
8	Right Door	607166-1
9	Left Door	607165-1
10	Front Top Rail	000000295
	Mounting Screw Left Side 8-32 x 1	50-0537-9
	Mounting Screw Right Side 10-24 x .50	50-0509-9
Miscellaneous – Brackets, Screws, etc.		
11	Right/Left Door Screw	50-0489-9
12	Bottom Door Frame	76-0226-3
	a. Mounting Screw Left Side 10-24 x 1 PHIL	50-0537-9
	b. Mounting Screw Right Side 10/24 x .50 PHIL	52-0209-9
13	Door Catch Bracket (RHD)	606236-9
	a. Mounting Screw 8-32 x .50 Phil	50-2624-9
14	Left Door Pivot Leaf Hinge (Top or Bottom)	30-0557-9
	a. Mounting Screw 10-24 x .5 TCS-23 PHIL/FL	50-0537-9
15	Electrical Connection Box Cover	Included in Back Panel Assembly
16	Top Cover Bracket	606404-1
	a. Screw 10-24 x .50	52-0206-9
17	Sachet Holder (inside left door)	40-0459-9
	a. Screws	50-0479-9

CVD0685 CONDENSING UNIT

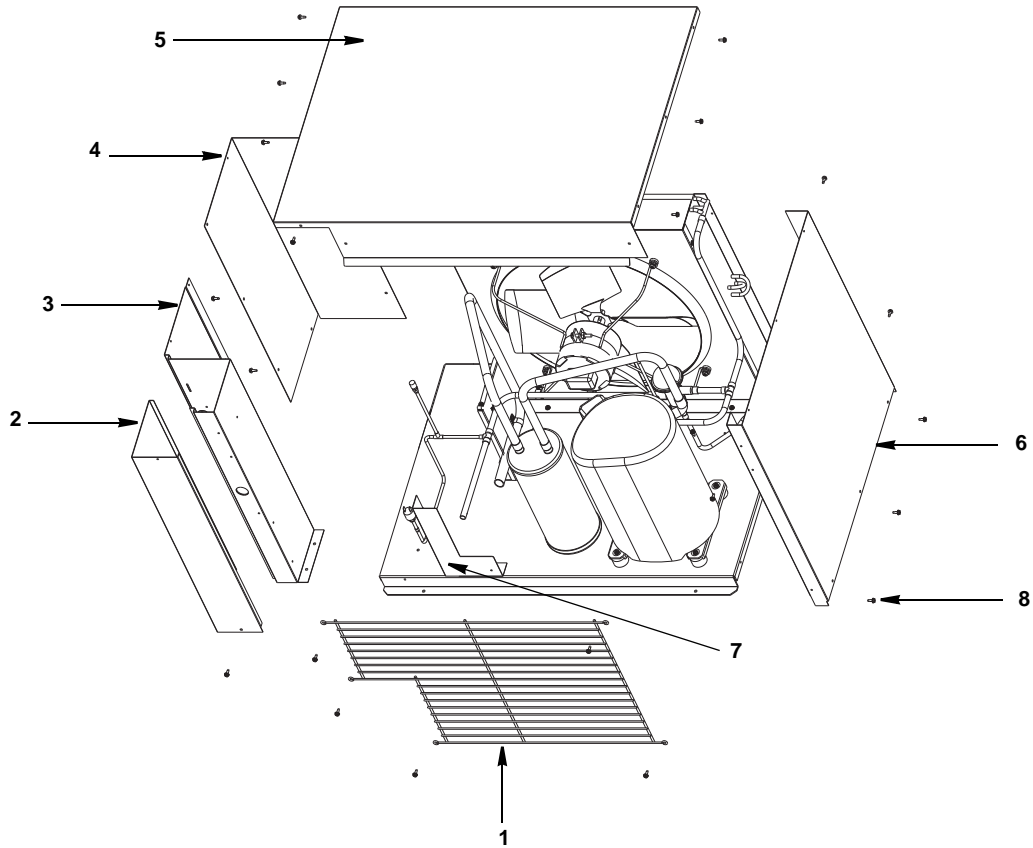


DESCRIPTION

	DESCRIPTION	PART NO.
1	Compressor	
	a. 208-230V/60 Hz/1 Ph	000004042
	b. 208-230V/60 Hz/3 Ph	000004044
	c. 208-230V/50 Hz /1 Ph	000004043
2	Suction Accumulator	000007280
3	Access Valve	83-7325-3
4	Air-Cooled Condenser	88-5144-3
5	Fan Motor	
	a. 208-230V/60 Hz/1 Ph (or 3 Ph)	† 20-0018-9
	b. 208-230V/50 Hz/1 Ph	† 20-0058-3
6	Fan Blade	24-1630-3
7	Fan Cycle Control	† 20-0126-3
8	Head Pressure Control Valve	000004070
9	High Pressure Cut-Out Control	† 20-0124-3
10	Low Pressure Cut-Out Control	000004040
11	Start Relay 50/60 Hz/1 Ph	20-0755-9
12	Contactors 50/60 Hz/1 Ph	20-0660-9
13	Start Capacitor 50/60 Hz/1 Ph	000006454
14	Run Capacitor 50/60 Hz/1 Ph	85-0393-3
15	Suction Filter	† 82-5053-9
16	Check Valve	000001288
17	Wiring Harness	20-0749-3
Miscellaneous – Brackets, Screws, etc.		
18	Fan Shroud	603704-1
19	Fan Motor Mounting Bracket	30-0682-3
20	Fan Motor Mounting Screw	† 50-3358-9
	a. Fan Motor Mounting Lockwasher	† 55-4511-9
	b. Fan Motor Mounting Hexnut	† 54-2952-9
21	Fan Bracket Mounting Screw	† 50-3358-9
	a. Fan Bracket Mounting Lockwasher	† 55-4511-9
	b. Fan Bracket Mounting Flatwasher	† 55-7305-9
	c. Fan Bracket Mounting Rubber Wellnut	† 54-2955-9
22	Screw, #10-24 x .50 (Used for Panel Attachment – Not shown)	† 52-0206-9
23	Capacitor Mounting Bracket	603498-1
24	Capacitor Mounting Strap	602160-1
25	Terminal Block (50 Hz Only)	20-0614-3
26	Ground Screw	† 52-0216-9
27	Suction Filter Bracket	000002252
28	Wiring Harness	
	a. 230V/60Hz/1Ph	000006532
	b. 230V/50Hz/1Ph	000006531
	c. 230V/60Hz/3Ph	20-3308-9

† Refer to Cross Reference Guide

CVD0685 CONDENSING UNIT PANELS



DESCRIPTION

DESCRIPTION	PART NO.
1 Condenser Fan Guard	34-0689-3
2 Control Box Cover	† 604017-1
3 Control Box Panel	603707-1
4 Left Side Panel	603705-1
5 Cover Top	603475-1
6 Right Side Panel	603470-1
7 Bracket	† 604226-1

Miscellaneous – Brackets, Screws, etc.

8 Screw, #10-24 x .50 Hex.	† 52-0206-9
---------------------------------	-------------

† Refer to Cross Reference Guide