

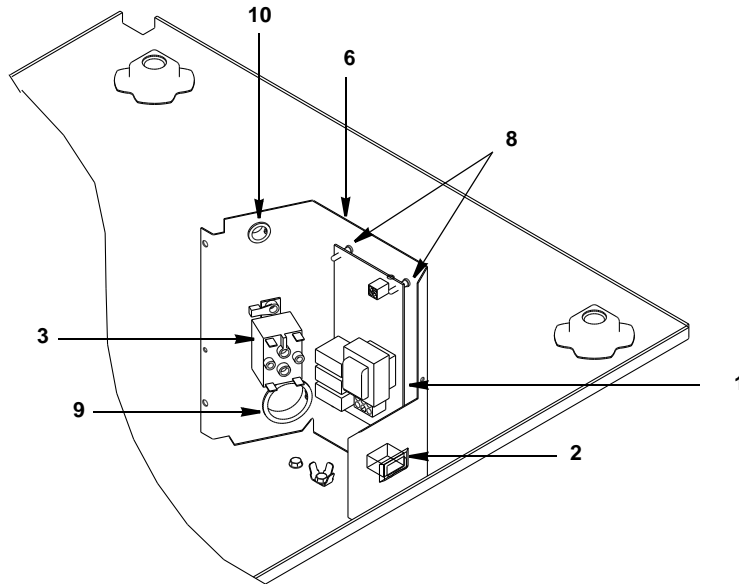


**Ice Machine Parts List for  
Series Q170 Models**

**QD0172A**

**QY0174A**

## Q170 CONTROL BOX

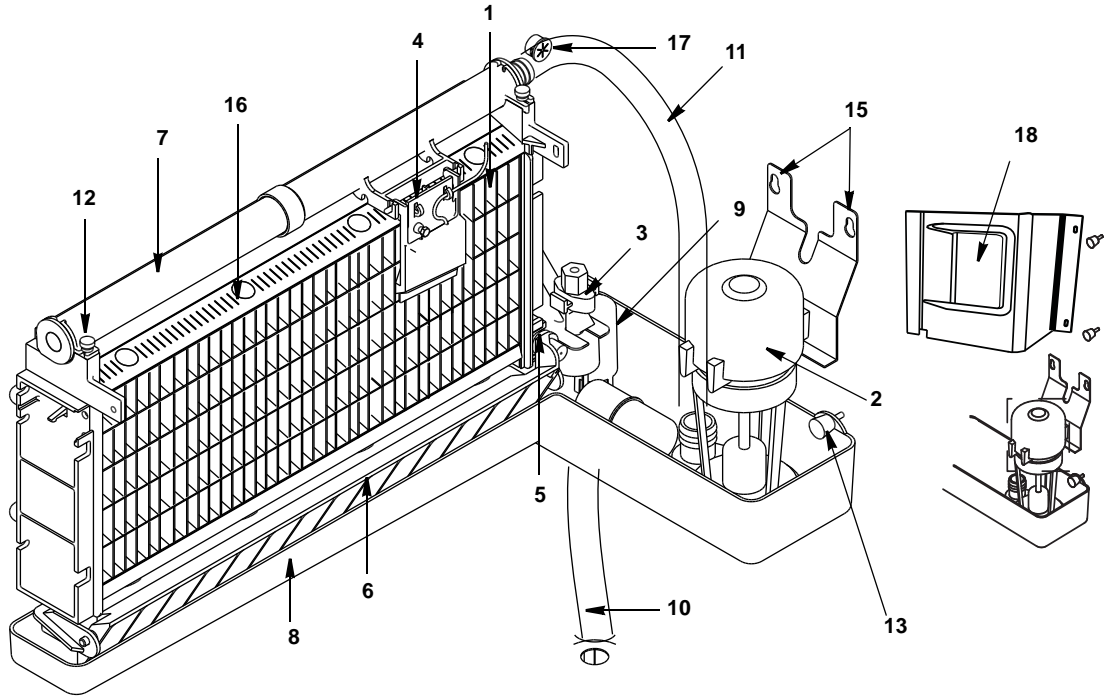


### DESCRIPTION

DESCRIPTION	PART NO.
1 Control Board .....	† 76-2907-3
2 Toggle Switch Only .....	23-0151-3
a. Wiring Harness for Toggle Switch .....	20-3248-3
3 Contactor .....	24-1029-3
4 <b>Wiring Harness</b>	
a. Air-Cooled (Not shown) .....	20-0218-3
b. Ice Thickness Control Probe Wire Lead (Not shown) .....	20-0701-3
5 Power Cord .....	040001308
<b>Miscellaneous – Brackets, Screws, etc.</b>	
6 Control Box .....	† 60-4693-1
7 Control Box Cover (Not shown) .....	76-2908-3
8 Control Board Mounting Supports .....	43-0225-3
9 Bushing, SB1500-21/2240 .....	† 25-0013-9
10 Bushing, SB625-8/2073 .....	† 25-0218-9

† Refer to Cross Reference Guide

# Q170 EVAPORATOR COMPARTMENT



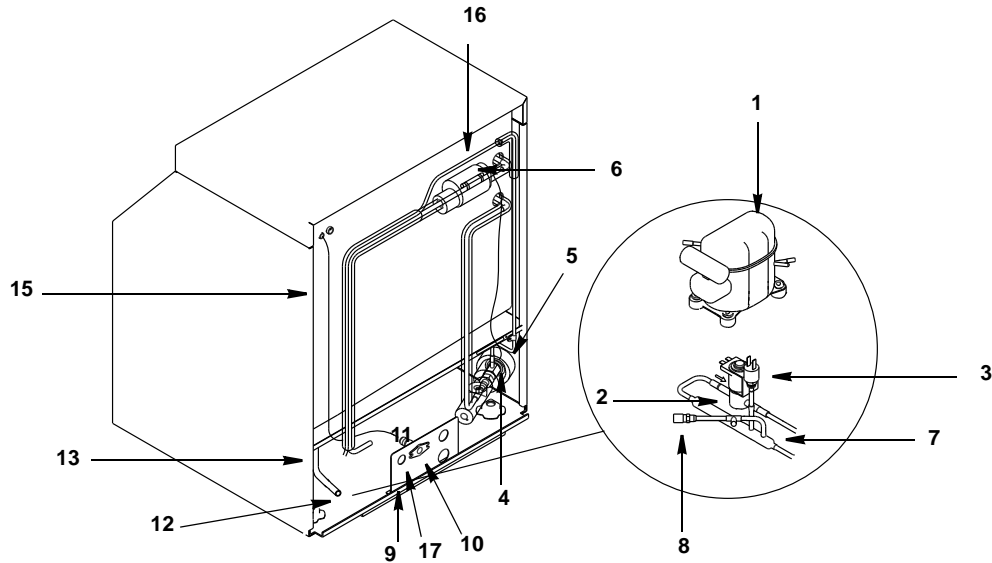
**DESCRIPTION**

**PART NO.**

<b>1</b>	<b>Evaporator Assembly</b>	
a.	Dice Cube . . . . .	† 76-2955-9
b.	Half Dice Cube . . . . .	† 76-2956-9
<b>2</b>	Water Pump . . . . .	† 76-2306-3
<b>3</b>	<b>Float Valve (Complete Assembly)</b> . . . . .	83-6904-9
a.	Float Valve Screen . . . . .	83-6906-9
b.	Float Valve Plunger . . . . .	83-6908-9
c.	Float Valve Compression Nut . . . . .	56-5072-9
<b>4</b>	Ice Thickness Control Probe . . . . .	† 76-0160-3
<b>5</b>	Magnetic Bin Switch (Mounted to Evaporator) . . . . .	† 23-0148-3
<b>6</b>	Ice Damper . . . . .	† 76-0048-3
a.	Ice Damper Magnet and Cap . . . . .	76-2909-3
<b>7</b>	Water Distribution Tube . . . . .	† 76-2498-3
<b>8</b>	Water Trough . . . . .	43-0386-3
<b>9</b>	Siphon Cap . . . . .	43-0222-3
<b>Miscellaneous – Brackets, Screws, etc.</b>		
<b>10</b>	Drain Tube . . . . .	† 76-0085-3
<b>11</b>	Tubing (Water Pump Out) . . . . .	40-1205-3
<b>12</b>	Screw, #8-32 x .375 Nylon Water Distribution Tube Mounting . . . . .	† 53-0511-3
<b>13</b>	Thumbscrew, #8-32 x .438 . . . . .	53-0512-3
<b>14</b>	Screw, #10-24 x .750 - Used to Mount Evaporator (Not Shown) . . . . .	52-0218-9
<b>15</b>	Screw, #10-24 x .50 . . . . .	† 52-0206-9
<b>16</b>	Evaporator Top Molding And Gasket Assembly . . . . .	76-2621-3
<b>17</b>	Bushing (Ice Thickness Probe Wire) . . . . .	† 25-0016-9
<b>18</b>	Water pump cover . . . . .	000006754

† Refer to Cross Reference Guide

## Q170 REFRIGERATION COMPARTMENT – COMMON PARTS

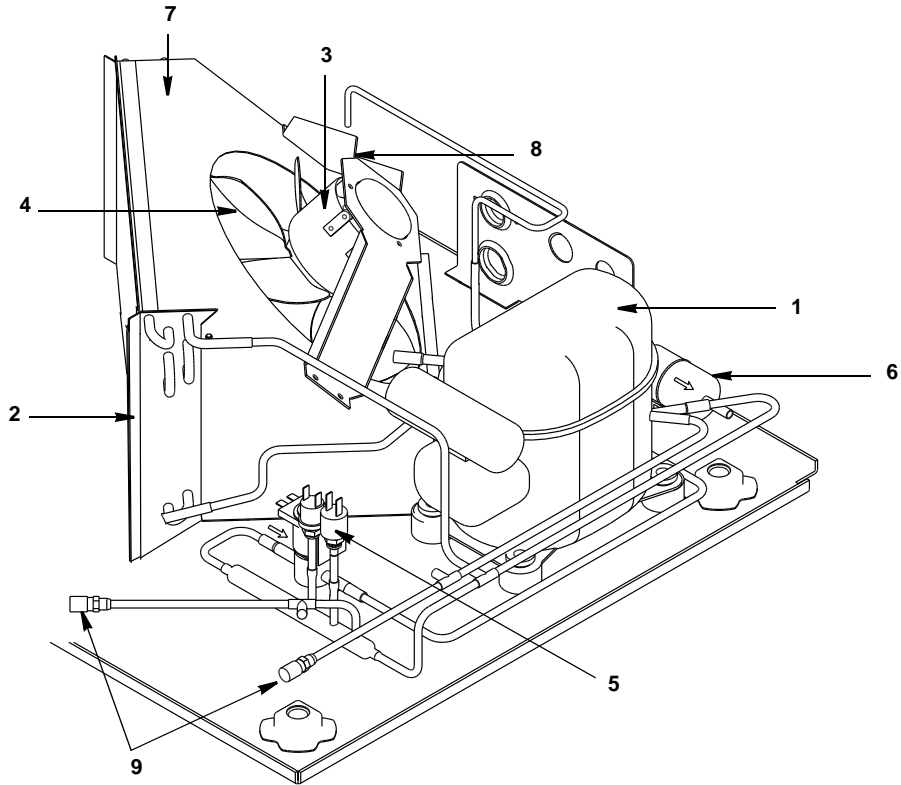


### DESCRIPTION

	<b>PART NO.</b>
1 Danfoss Compressor .....	040000435
a. start capacitor .....	000002901
b. relay - overload .....	000002899
<b>2 Hot Gas Valve</b>	
a. Hot Gas Valve Including 115V 60 Hz Electrical Coil .....	040000689
b. Hot Gas Valve 115V Coil Only .....	040000101
c. Bracket Hot Gas Valve .....	040000104
3 High Pressure Cut-out .....	† 20-0124-3
4 Expansion Valve .....	040001073
5 Expansion Valve Body Insulation Boot .....	40-0036-3
6 Expansion Valve Bulb Insulation Boot .....	40-0720-3
7 Manifold Strainer (in front of hot gas valve) .....	82-5106-3
8 Access Valve .....	83-7325-3
<b>Miscellaneous – Brackets, Screws, etc.</b>	
9 Bracket (Water/Electrical Inlet) .....	60-2682-1
10 Water Inlet Female Wing Adapter .....	† 87-0609-3
11 Male Connector 1/4" OD x 1/8" NTPF .....	13-6096-1
12 Bin Drain Female Wing Adapter .....	87-0613-3
13 Bin Drain Tubing (Molded) .....	44-2098-3
14 Bin Drain Hose Clamp (Not shown) .....	† 56-5064-9
15 Water Inlet Tubing .....	44-2029-1
16 Clamp, Expansion Valve Bulb .....	† 56-5052-9
17 Screw, #10-24 x .50 .....	† 52-0206-9

† Refer to Cross Reference Guide

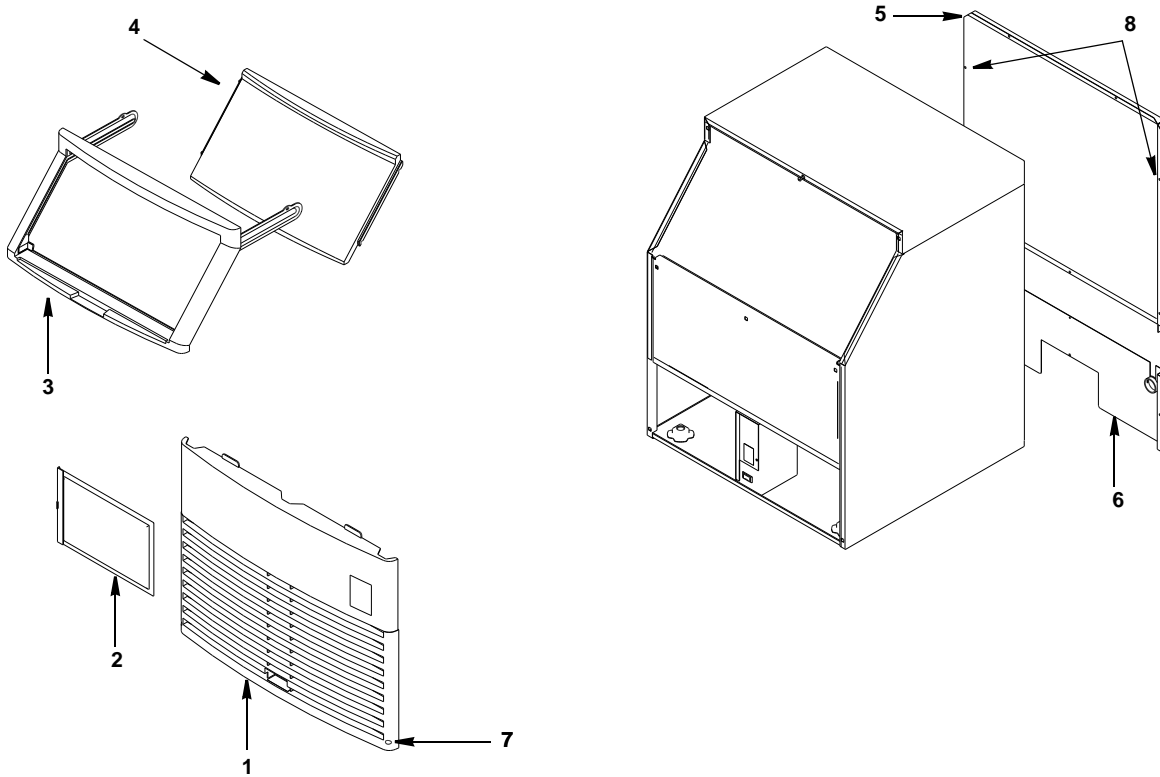
## Q170 REFRIGERATION COMPARTMENT – AIR-COOLED



### DESCRIPTION

DESCRIPTION	PART NO.
1 Compressor (Refer to COMMON PARTS Page) .....	Page 4
2 Air Condenser .....	88-5137-3
3 Fan Motor .....	20-0022-3
4 Fan Blade .....	30-0565-3
5 Fan Cycling Control .....	† 20-0127-3
6 Drier .....	† 89-3025-9
<b>Miscellaneous – Brackets, Screws, etc.</b>	
7 Fan Shroud .....	60-2685-1
8 Fan Motor Mounting Bracket .....	60-2743-1
9 Access Valve .....	83-7325-3

# Q170 PANELS



**DESCRIPTION**

	<b>DESCRIPTION</b>	<b>PART NO.</b>
1	Front Panel Assembly . . . . .	76-2915-3
2	Air Filter . . . . .	76-2914-3
3	Door Frame Assembly . . . . .	76-2916-3
4	Bin Door . . . . .	† 43-0456-3
5	Back Panel, Upper . . . . .	60-2680-1
6	Back Panel, Lower . . . . .	60-3350-1
<b>Miscellaneous – Brackets, Screws, etc.</b>		
7	Front Cover Screw . . . . .	† 52-0223-9
8	Screw, #10-24 x .50 . . . . .	† 52-0206-9
9	Ice Scoop (Not shown) . . . . .	† 33-0260-3