



**Ice Machine Parts List for  
Series Q1600 Models**

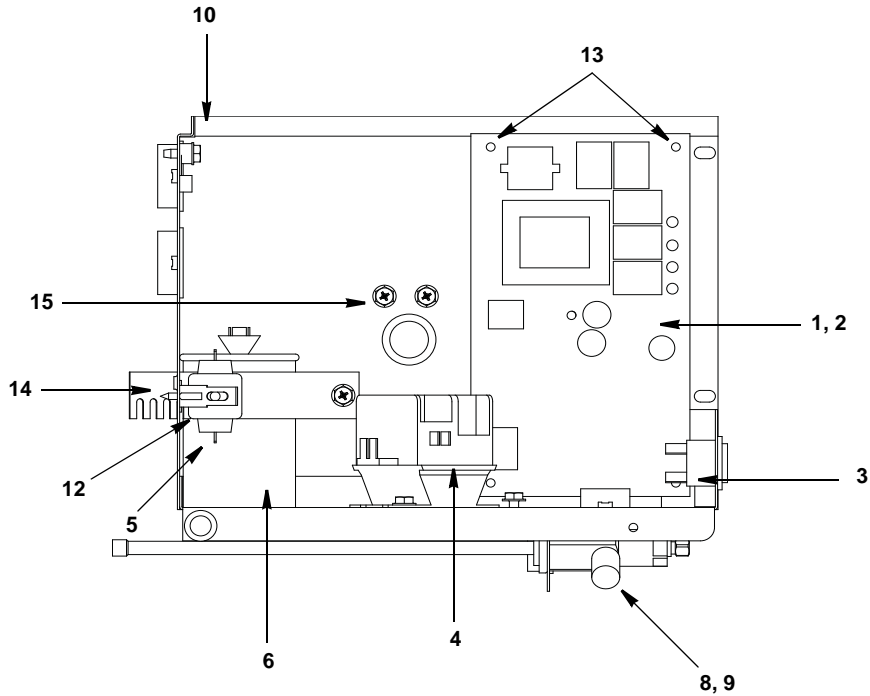
**QD1603W**

**QD1692N**

**QY1605W**

**QY1694N**

# Q1600 CONTROL BOX



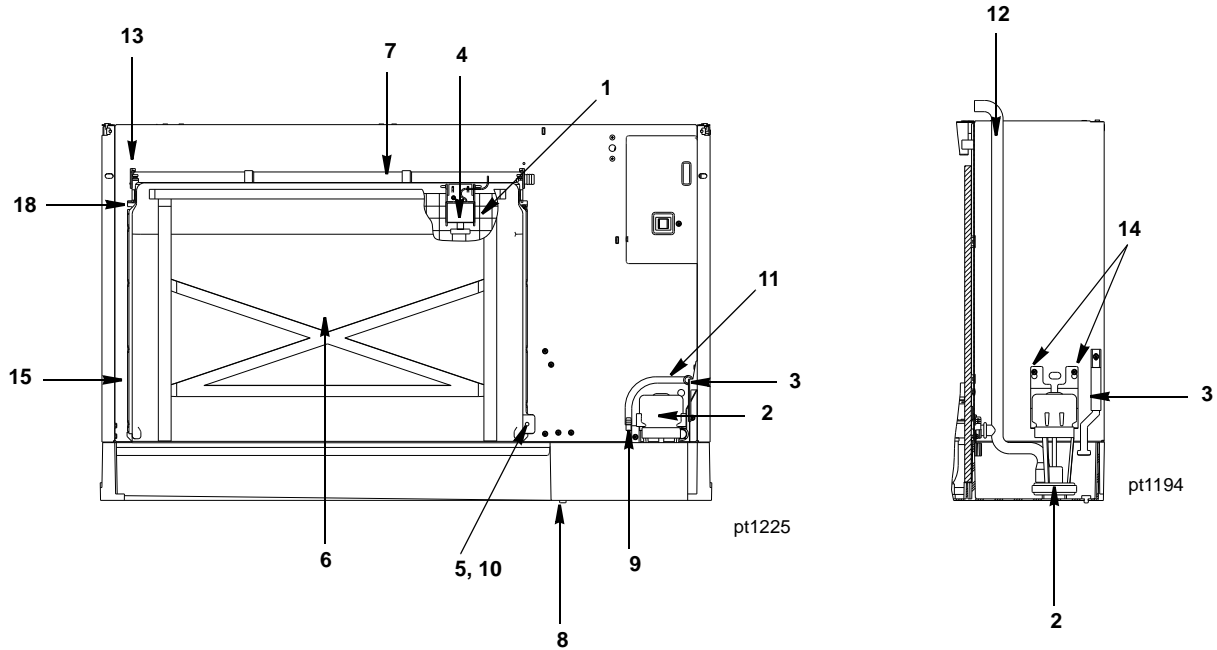
pt1380

## DESCRIPTION

	<b>PART NO.</b>
1 Control Board (for use with all voltages) . . . . .	† 76-2782-3
2 7 Amp Fuse – Mounted on Control Board . . . . .	25-1100-3
3 <b>Toggle Switch</b> Only . . . . .	23-0134-3
a. Toggle Switch with Wiring Harness Attached . . . . .	20-3217-3
4 <b>Contactor</b>	
a. 208-230V/60 Hz/1 Ph . . . . .	24-1035-3
b. 208-230V/60 Hz/3 Ph . . . . .	20-0116-3
5 P.T.C.R. Compressor Starter. . . . .	85-0491-3
6 <b>Compressor Run Capacitor</b>	
a. Used with 208-230V/50-60 Hz/1 Ph (Compressor 76-2687-3) . . . . .	000000028
7 <b>Wire Harness Control Box To Bulkhead</b>	
a. 208-230V/60 Hz/1 Ph . . . . .	20-0166-3
b. 208-230V/60 Hz/3 Ph . . . . .	20-0166-3
8 Refrigeration Service Valve Assembly . . . . .	83-7324-3
<b>Miscellaneous – Brackets, Screws, etc.</b>	
9 Locknut Used to Mount Refrigeration Service Valves. . . . .	† 54-7503-9
10 Control Box . . . . .	602559-3
11 Control Box Cover (Not shown) . . . . .	† 76-2852-3
12 P.T.C.R. Compressor Starter Mounting Bracket . . . . .	85-0495-3
13 Control Board Mounting Supports . . . . .	43-0225-3
14 Capacitor Mounting Strap . . . . .	602495-1
15 Screw, #10-24 x .50 Ground. . . . .	† 52-0216-9

† Refer to Cross Reference Guide

# Q1600 EVAPORATOR COMPARTMENT



**DESCRIPTION**

**1 Evaporator Assembly**

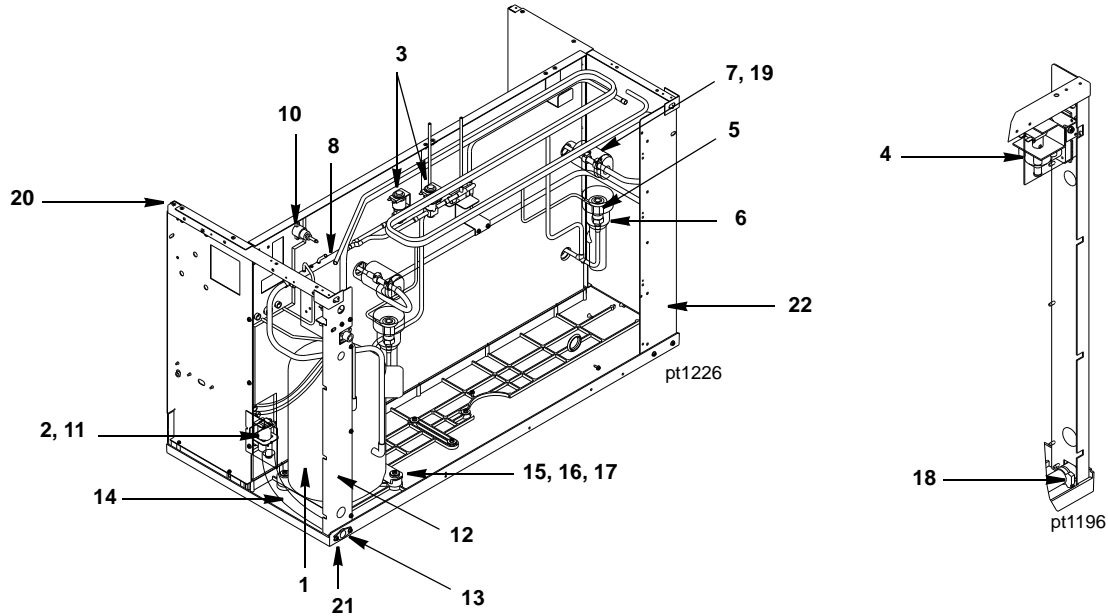
	<b>PART NO.</b>
a. Dice Cube .....	† 76-2697-9
b. Half Dice Cube .....	† 76-2698-9
2 Water Pump (208-230V/50-60 Hz) .....	† 14-8027-9
3 Water Level Probe .....	25-1129-3
4 Ice Thickness Control Probe .....	† 76-2781-3
5 Magnetic Bin Switch (Mounted to Evaporator) .....	† 23-0148-3
6 Water Curtain .....	40-0474-3
7 Water Distribution Tube .....	43-0322-3
8 Water Trough Drain Plug .....	† 43-0062-9
9 Water Inlet Flow Tube .....	43-0388-3

**Miscellaneous – Brackets, Screws, etc.**

10 Water Curtain Magnet with Attachment Clip .....	† 76-2802-3
11 Water Inlet Tubing .375 ID .....	44-2131-3
12 Tubing (Water Pump Out) .....	44-2115-3
13 Screw, #8-32 x .63 Nylon Water Distribution Tube Mounting .....	† 50-0001-3
14 Screw, #10-24 x .50 .....	† 52-0206-9
15 Screw, #10-24 x .750 – Used to Mount Evaporator .....	† 52-0218-9
16 Base and Water Trough Repair Kit (Not shown) .....	† 76-2806-3
17 Evaporator Top Molding and Gasket Assembly (Not shown) .....	76-2801-3
18 Water Curtain Pin Assembly .....	† 76-2856-3

† Refer to Cross Reference Guide

## Q1600 REFRIGERATION COMPARTMENT – COMMON PARTS



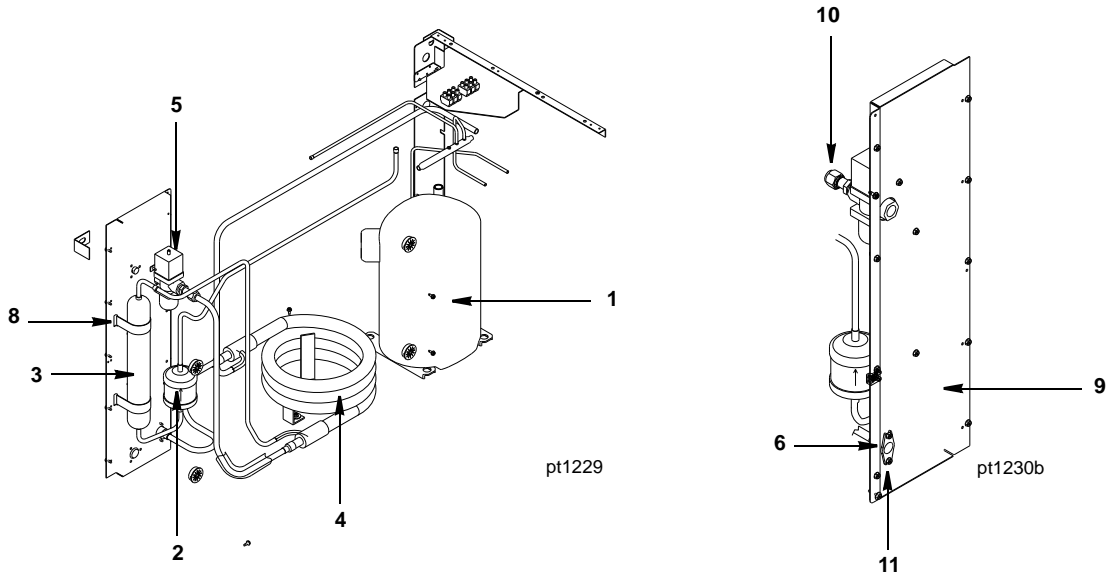
### DESCRIPTION

### PART NUMBER

<b>1 Compressor</b>	
a. 208-230V/60 Hz/1 Ph .....	76-2687-3
b. 208-230V/60 Hz/3 Ph .....	76-2688-3
<b>2 Water Dump Valve</b>	
a. Dump Valve, 208-230V/50-60 Hz .....	000001768
b. Dump Valve Rebuild Kit .....	No Longer Available
<b>3 Hot Gas Valve</b>	
a. Hot Gas Valve Including 208-230V/50-60 Hz Electrical Coil .....	76-3010-1
b. Hot Gas Valve 208-230V/50-60 Hz Coil Only (Alco) .....	† 24-0448-3
c. Hot Gas Valve 208-230V/50-60 Hz Coil Only (Danfoss) .....	000005157
<b>4 Water Inlet Valve</b>	
a. Water Inlet Valve Including 208-230V/50-60 Hz Coil .....	76-0113-3
<b>5 Expansion Valve</b> .....	76-0159-3
<b>6 Expansion Valve Body Insulation Boot</b> .....	40-0036-3
<b>7 Expansion Valve Bulb Insulation Boot</b> .....	40-0720-3
<b>8 Manifold Strainer (in front of hot gas valve)</b> .....	82-5097-3
<b>9 Water Pump Electrical Wire Lead (Not shown)</b> .....	† 20-7810-3
<b>10 High Pressure Cut-out (Auto Reset)</b> .....	† 20-0124-3
<b>Miscellaneous – Brackets, Screws, etc.</b>	
<b>11 Dump Valve Mounting Bracket</b> .....	601597-1
<b>12 Right Corner Post Weldment</b> .....	602204-1
<b>13 Water Drain Female Wing Adapter</b> .....	87-0608-3
<b>14 Water Drain Vinyl Tubing, .625 ID</b> .....	† 44-2038-3
<b>15 Compressor Mounting Rubber Grommet</b> .....	† 85-0306-9
<b>16 Compressor Mounting Washer</b> .....	† 55-7309-9
<b>17 Compressor Mounting Bolt</b> .....	† 50-3773-9
<b>18 Clamp, Water Drain</b> .....	† 56-5070-9
<b>19 Clamp, Expansion Valve Bulb</b> .....	† 56-5052-9
<b>20 Screw, #10-24 x .50</b> .....	† 52-0209-9
<b>21 Screw, #10-24 x .75</b> .....	† 52-0218-9
<b>22 Left Corner Post Weldment</b> .....	604514-1
<b>23 Terminal Block</b> .....	20-0614-3

† Refer to Cross Reference Guide

# Q1600 REFRIGERATION COMPARTMENT – WATER COOLED



**DESCRIPTION**

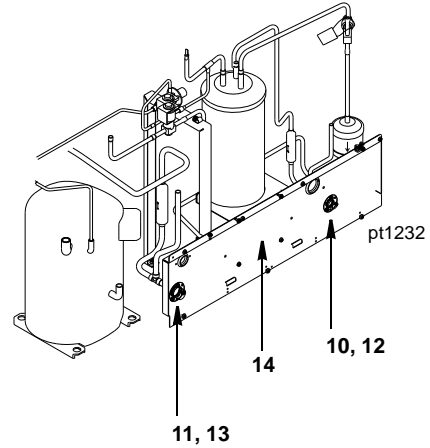
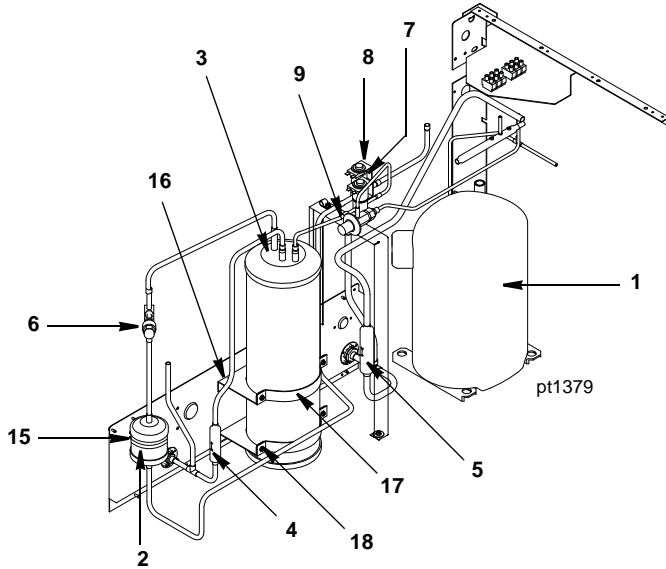
	<b>DESCRIPTION</b>	<b>PART NO.</b>
1	Compressor (Refer to COMMON PARTS Page) . . . . .	Page 4
2	Drier . . . . .	89-3027-9
3	Receiver . . . . .	89-0035-3
4	Water-Cooled Condenser . . . . .	† 000001508
5	Water Regulating Valve . . . . .	83-7212-3
6	Water Drain Female Wing Adapter . . . . .	87-0608-3
7	Wiring Harness (Not Shown)	
	a. 230V/60HZ/1Ph . . . . .	20-0179-3
	b. 230V/60HZ/3Ph . . . . .	20-3196-3

**Miscellaneous – Brackets, Screws, etc.**

8	Receiver Strap . . . . .	600054-1
9	Back Panel . . . . .	601905-1
10	Water Coupling . . . . .	83-3419-3
11	Screw, #10-24 x .50 . . . . .	† 52-0206-9

† Refer to Cross Reference Guide

## Q1600 REFRIGERATION COMPARTMENT – REMOTE

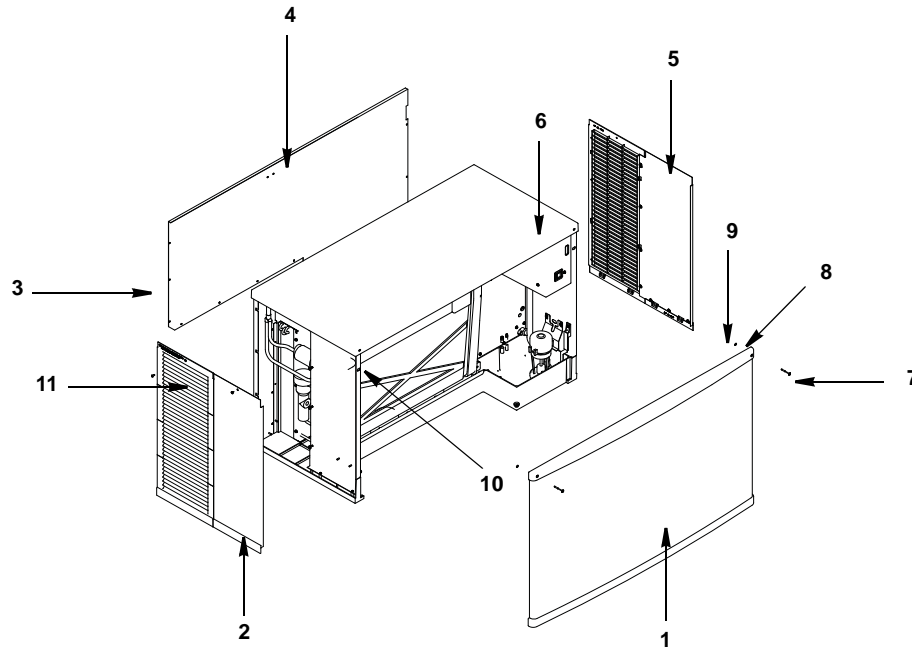


### DESCRIPTION

	DESCRIPTION	PART NO.
1	Compressor (Refer to COMMON PARTS)	Page 4
2	Drier	89-3027-9
3	Receiver	† 76-2958-3
4	Magni-Check Valve	† 83-7314-9
5	Magni-Check Valve	† 83-7315-9
6	Refrigeration Service Valve	† 83-7316-9
	a. Cap for Refrigeration Service Valve	56-5075-3
7	<b>Harvest Pressure Regulating Solenoid (HPR) Valve</b>	
	a. HPR Valve Including 208-230V/50-60 Hz Electrical Coil	76-3006-1
	b. HPR Valve 208-230V/50-60 Hz Coil Only (Danfoss)	000005157
	c. HPR Valve 208-230V/50-60 Hz Coil Only (Alco)	24-0448-3
8	<b>Liquid Line Solenoid (LLS) Valve</b>	
	a. LLS Valve Including 208-230V/50-60 Hz Electrical Coil	76-3010-1
	b. LLS Valve 208-230V/50-60 Hz Coil Only	† 24-0448-3
9	Harvest Pressure Regulating Valve (HPR)	† 83-6779-3
10	Coupling – Male, 5/8-18	† 83-6034-3
11	Coupling – Male, 1-1/6-12	† 83-6035-3
<b>Miscellaneous – Brackets, Screws, etc.</b>		
12	Coupling Mounting Flange for 5/8-18	83-6005-3
13	Coupling Mounting Flange for 1-1/16-12	83-6006-3
14	Back Panel	601905-1
15	Drier Plastic Tie	† 56-5035-9
16	Receiver Mounting Bracket	600056-1
17	Receiver Mounting Strap	630721-4
18	Screw, #10-24 x .50	† 52-0206-9

† Refer to Cross Reference Guide

## Q1600 PANELS



pt1378

### DESCRIPTION

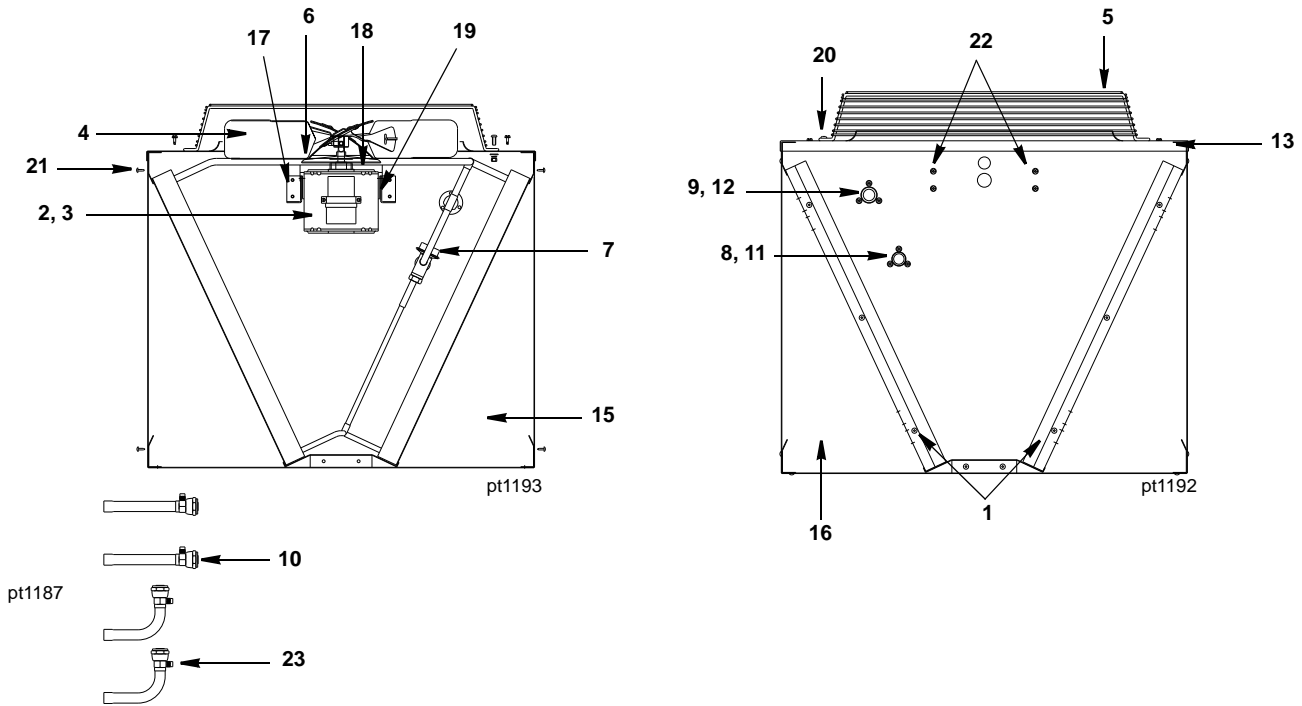
	PART NO.
1 Front Panel Assembly .....	76-2879-3
2 Left Side Panel .....	† 76-2859-3
3 Back Panel, Water .....	602599-1
4 Back Panel, Remote .....	602607-1
5 Right Side Panel .....	† 76-2860-3
6 Top Cover .....	43-0332-3

### Miscellaneous – Brackets, Screws, etc.

7 Front Cover Screw .....	† 51-1901-9
8 Front Cover Washer .....	† 55-7338-9
9 Front Cover Screw Retainer .....	† 56-4827-9
10 Speed Nut Assembly to Mount Front Cover .....	† 54-7303-9
11 Screw, #10-24 x .50 Flat .....	† 52-0209-9
12 Extruded Tape (Not shown) .....	† 92-0250-9

**NOTE:** Items 7, 8, 9 and 10 can be ordered as assembly 76-2898-3.

## JC1895 REMOTE CONDENSER (USED WITH Q1600 REMOTE ICE MACHINES)



### DESCRIPTION

	<b>PART NO.</b>
1 Air Condenser (uses two) . . . . .	† 88-5089-9
2 Fan Motor (208-230V 50/60 Hz/1 Ph) . . . . .	† 76-2941-3
3 Fan Motor Run Capacitor (Emerson) . . . . .	85-0458-3
3 Fan Motor Run Capacitor (Magnatec) . . . . .	No Longer Available
4 Fan Blade . . . . .	24-1611-3
5 Fan Guard . . . . .	34-0064-3
6 Rain Slinger . . . . .	24-1505-3
7 Head Pressure Control . . . . .	000004070
8 Coupling – Male, 5/8-18 . . . . .	† 83-6034-3
9 Coupling – Male, 1-1/6-12 . . . . .	† 83-6035-3
10 Female Line Set Coupling Kit (Sold as Finished Goods Sales Kit) . . . . .	Sales K0129

### Miscellaneous – Brackets, Screws, etc.

11 Coupling Mounting Flange (for 5/8-18) . . . . .	83-6006-3
12 Coupling Mounting Flange (for 1-1/16-12) . . . . .	83-6005-3
13 Top Cover . . . . .	601789-1
14 Intentionally Left Blank	
15 Panel – Rear . . . . .	† 601788-1
16 Panel – Front . . . . .	† 601787-1
17 Fan Motor Mounting Bracket . . . . .	† 601768-1
18 Electrical Box Cover . . . . .	† 601776-1
19 <b>Fan Motor Mounting Screw</b> (5/16-18 x 5/8) . . . . .	† 50-3565-9
a. Fan Motor Mounting Flatwasher . . . . .	† 55-7309-9
b. Fan Motor Mounting Lockwasher . . . . .	† 55-7313-9
c. Fan Motor Mounting Hexnut . . . . .	54-2975-9
20 <b>Fan Guard Mounting Screw</b> (1/4-20 x 5/8) . . . . .	† 50-3345-9
a. Fan Guard Mounting Flatwasher . . . . .	† 55-7304-9
b. Fan Guard Mounting Lockwasher . . . . .	† 55-4511-9
c. Fan Guard Mounting Hexnut . . . . .	† 54-2952-9
21 <b>Panel/Condenser Mounting Screw</b> (#8 x 1/2) . . . . .	† 51-2153-9
a. Panel/Condenser Mounting Lockwasher . . . . .	† 55-4459-9
22 Screw (#10-24 x 1/2) . . . . .	† 52-0206-9
23 Valve Cores (used in linesets) . . . . .	76-2684-3
24 Legs (Not shown) . . . . .	† 601769-1

† Refer to Cross Reference Guide