

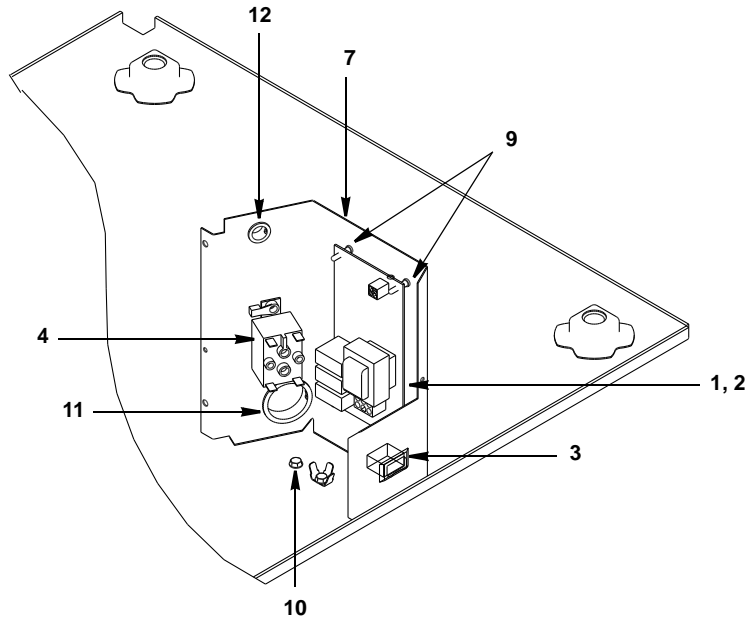


**Ice Machine Parts List for
Series QM100 Models**

QMD0102A

QMD0103W

QM100 CONTROL BOX



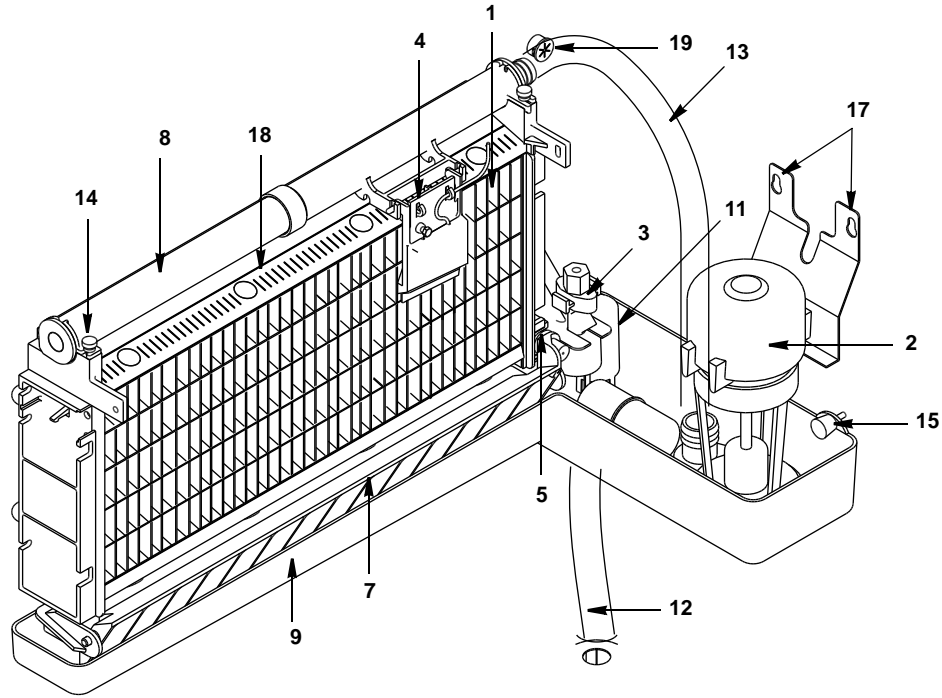
pt1262

DESCRIPTION

	PART NO.
1 Control Board (for use with all voltages)	† 76-2907-3
2 10 Amp Fuse – Mounted on Control Board	25-1149-3
3 Toggle Switch Only	23-0151-3
a. Wiring Harness for Toggle Switch.	20-3248-3
4 Contactor	
a. 115V/60 Hz/1 Ph.	76-0083-3
5 Wiring Harness	
a. Air-Cooled (Not shown)	20-3246-3
b. Water-Cooled (Not shown)	20-3271-3
c. Ice Thickness Control Probe (Wire Lead and Connectors Only)	20-3284-3
6 Power Cord	
a. 125V/60 Hz (Not shown)	20-3266-3
Miscellaneous – Brackets, Screws, etc.	
7 Control Box.	† 604693-1
8 Control Box Cover (Not shown)	76-2908-3
9 Control Board Mounting Supports	43-0225-3
10 Screw, #10-24 x .50 Ground.	52-0224-3
11 Bushing	† 25-0013-9
12 Bushing	† 25-0218-9

† Refer to Cross Reference Guide

QM100 EVAPORATOR COMPARTMENT



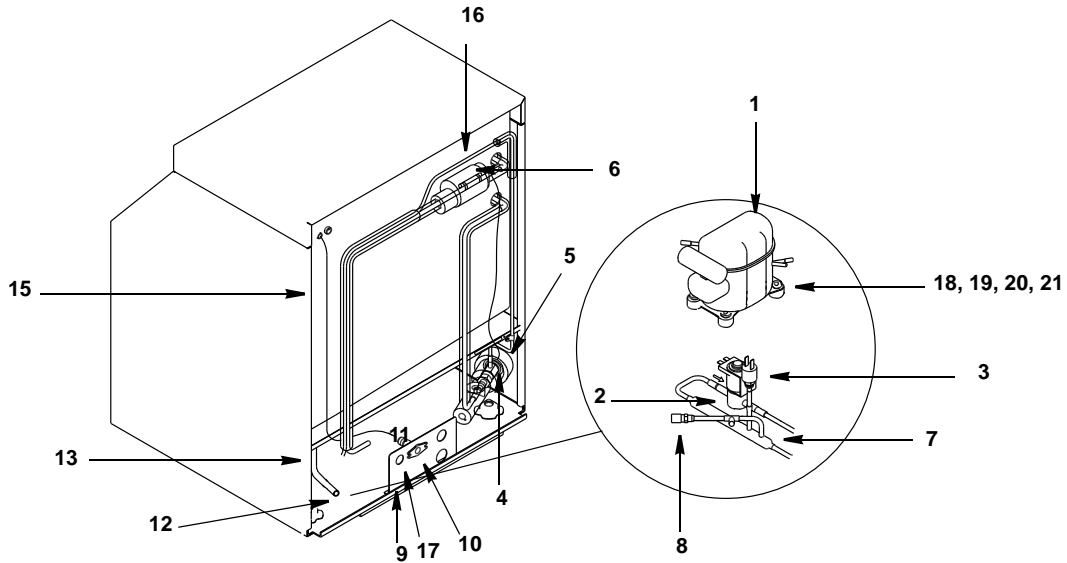
pt1258

DESCRIPTION

	PART NO.
1 Evaporator Assembly	
a. Dice Cube	† 76-2955-9
2 Water Pump	
a. 115V/60 Hz	† 76-2306-3
3 Float Valve (Complete Assembly)	† 83-6904-9
a. Float Valve Screen	† 83-6906-9
b. Float Valve Plunger	† 83-6908-9
c. Float Valve Compression Nut	† 56-5072-9
4 Ice Thickness Control Probe	† † 76-0160-3
5 Magnetic Bin Switch (Mounted to Evaporator)	† 23-0148-3
6 Water Flow Clamp (Not shown)	76-2054-3
7 Ice Damper	† 76-0048-3
a. Ice Damper Magnet and Cap	76-2909-3
8 Water Distribution Tube	† 76-2498-3
9 Water Trough	43-0386-3
10 Water Inlet Tubing (Not shown)	44-2029-1
11 Siphon Cap	43-0222-3
Miscellaneous – Brackets, Screws, etc.	
12 Drain Tube	† 76-0085-3
13 Tubing (Water Pump Out)	44-2142-3
14 Screw, #8-32 x .63 Nylon Water Distribution Tube Mounting	† 50-0001-3
15 Thumbscrew, #8-32 x .625	53-0510-3
16 Screw, #10-24 x .750 – Used to Mount Evaporator (Not shown)	† 52-0218-9
17 Screw, #10-24 x .50	† 52-0206-9
18 Evaporator Top Molding and Gasket Assembly	76-2621-3
19 Bushing (Ice Thickness Probe Wire)	† 25-0016-9

† Refer to Cross Reference Guide

QM100 REFRIGERATION COMPARTMENT – COMMON PARTS



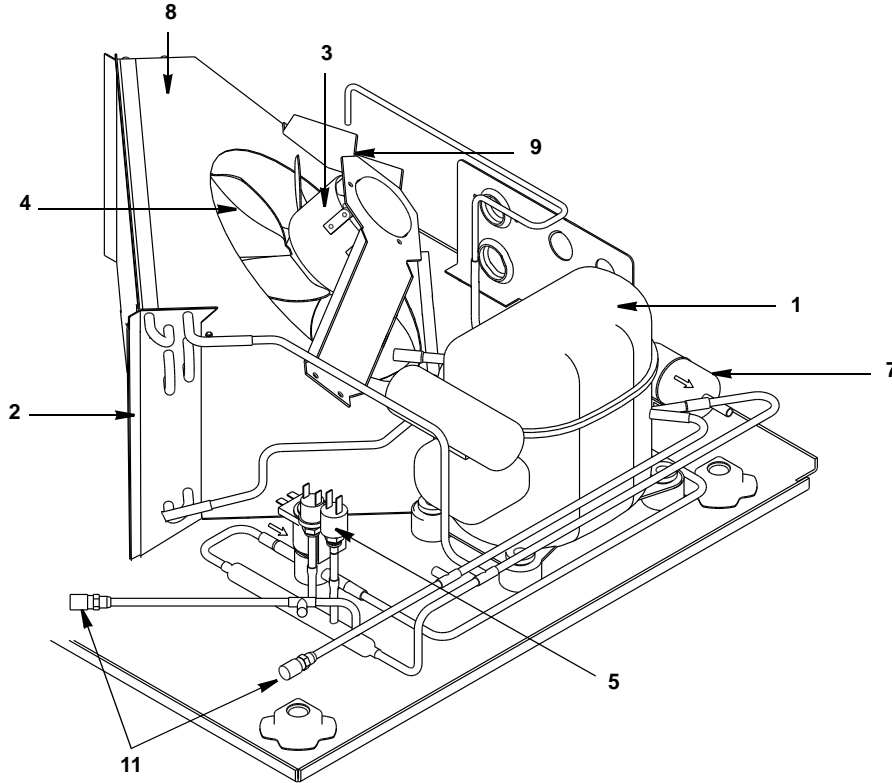
pt1259

DESCRIPTION

	DESCRIPTION	PART NO.
1	Compressor	
a.	115V/60 Hz/1 Ph (Tecumseh)	† 76-2910-3
	Overload for Compressor	85-0562-3
	Starting Device (Tecumseh)	85-0565-3
	Start Capacitor (Tecumseh)	85-0580-3
b.	115V/60 Hz/1 Ph (Danfoss)	76-0132-3
	Starting Device (Danfoss)	20-0204-3
	Start Capacitor (Danfoss)	20-0203-3
2	Hot Gas Valve	
a.	Hot Gas Valve Including 115V 60 Hz Electrical Coil (Danfoss)	† 76-3000-1
b.	Hot Gas Valve 115V Coil Only Danfoss	20-0176-3
3	High Pressure Cut-out	† 20-0124-3
4	Expansion Valve	† 76-0017-3
5	Expansion Valve Body Insulation Boot	40-0721-3
6	Expansion Valve Bulb Insulation Boot	40-0720-3
7	Manifold Strainer (in front of hot gas valve)	83-1016-3
8	Access Valve	83-7325-3
	Miscellaneous – Brackets, Screws, etc.	
9	Bracket (Water/Electrical Inlet)	602682-1
10	Water Inlet Female Wing Adapter	† 87-0609-3
11	Male Connector 1/4" OD x 1/8" NTPF	13-6096-1
12	Bin Drain Female Wing Adapter	87-0608-3
13	Bin Drain Tubing (Molded)	44-2098-3
14	Bin Drain Hose Clamp (Not shown)	† 56-5064-9
15	Water Inlet Tubing .375 ID	44-2029-1
16	Clamp, Expansion Valve Bulb	† 56-5052-9
17	Screw, #10-24 x .50	† 52-0206-9
18	Compressor Mounting Rubber Grommet	† 85-0306-9
19	Compressor Mounting Washer	† 55-7309-9
20	Compressor Hex Head Cap Screw	† 50-3770-9
21	Compressor Mounting Sleeve 3/8" ID x 1.031	† 85-0394-9

† Refer to Cross Reference Guide

QM100 REFRIGERATION COMPARTMENT – AIR-COOLED



pt1261

DESCRIPTION

1	Compressor (Refer to COMMON PARTS Page)
2	Air Condenser
3	Fan Motor	
	a. 115V
4	Fan Blade
5	Fan Cycling Control
6	Air Filter (Not shown)
7	Drier

PART NO.

Page 4
88-5132-3
24-1308-9
24-1624-3
† 20-0127-3
76-2914-3
† 89-3022-9

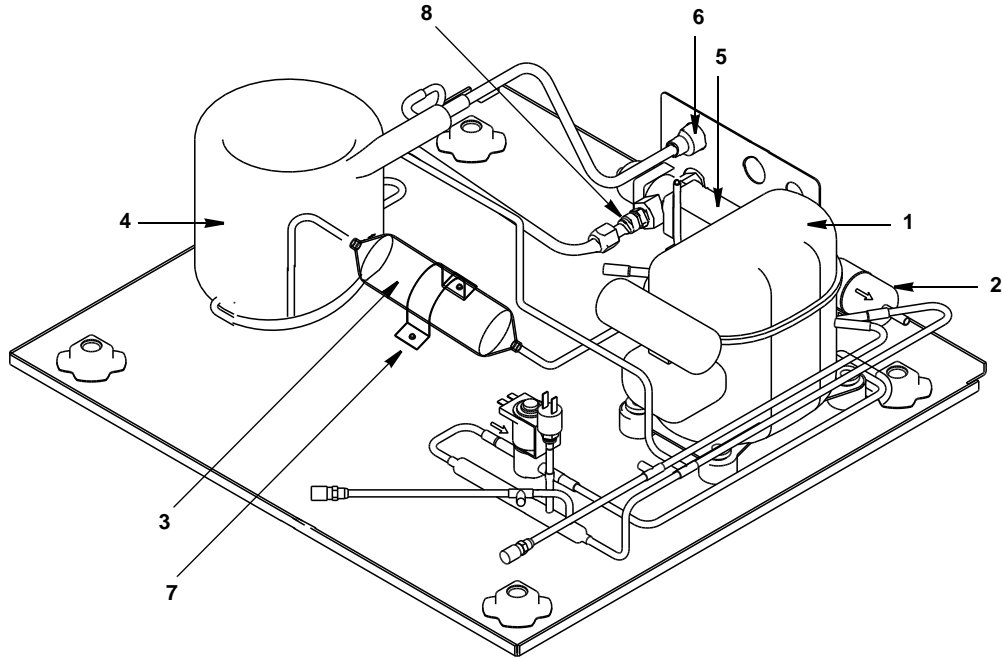
Miscellaneous – Brackets, Screws, etc.

8	Fan Shroud
9	Fan Motor Mounting Bracket
10	Speed Nut to Mount Fan Blade (Not shown)
11	Access Valve

602685-1
602743-1
† 54-7507-9
83-7325-3

† Refer to Cross Reference Guide

QM100 REFRIGERATION COMPARTMENT – WATER-COOLED



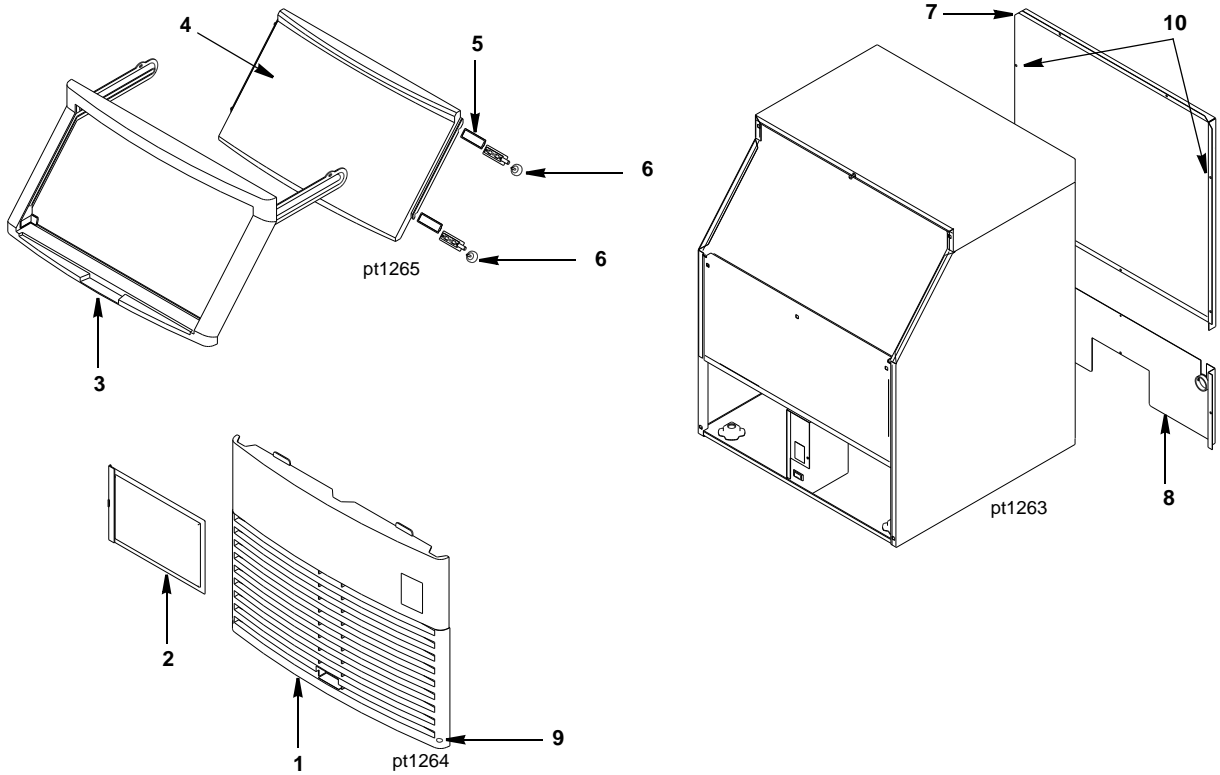
pt1260

DESCRIPTION

1	Compressor (Refer to COMMON PARTS Page)
2	Drier
3	Receiver
4	Water-cooled Condenser
5	Water Regulating Valve
6	Water Drain Female Wing Adapter
Miscellaneous – Brackets, Screws, etc.	
7	Receiver Strap
8	Water Coupling

PART NO.
Page 4
† 89-3022-9
12-0003-1
† 88-6532-3
83-7210-3
87-0610-3
600189-1
83-3202-3

QM100 PANELS



DESCRIPTION

	PART NO.
1 Front Panel Assembly	76-2915-3
2 Air Filter	76-2914-3
3 Door Frame Assembly	76-2916-3
4 Bin Door	† 43-0456-3
5 Door Pin Gasket and Door Pin Assembly	76-2917-3
6 Door Pin Thumbscrews	50-1235-3
7 Back Panel, Upper	602680-1
8 Back Panel, Lower	603350-1
Miscellaneous – Brackets, Screws, etc.	
9 Front Cover Screw	† 52-0223-9
10 Screw, #10-24 x .50	† 52-0206-9
11 Ice Scoop (Not shown)	† 33-0260-3

† Refer to Cross Reference Guide

INTENTIONALLY LEFT BLANK