



## **Ice Machine Parts List for Series J0600 Models**

**JR0600A**

**JD0692N**

**JR0601W**

**JY0604A**

**JR0690N**

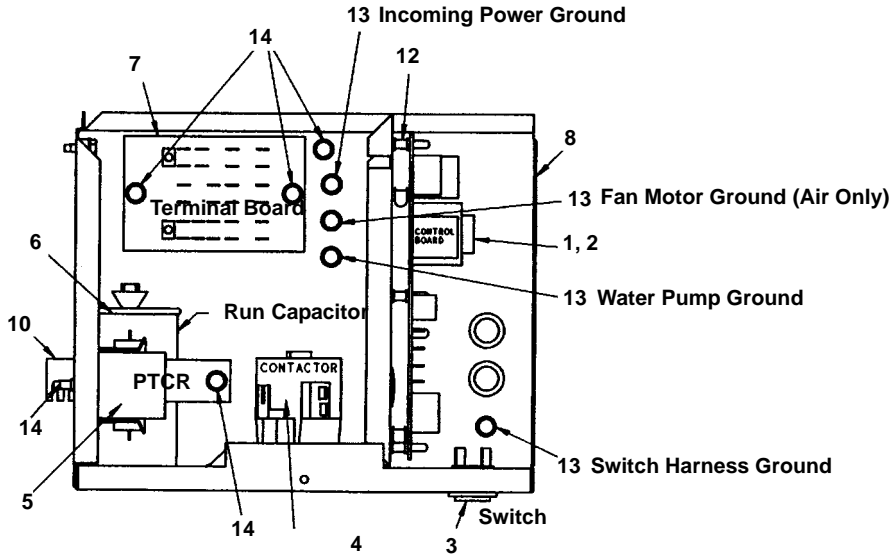
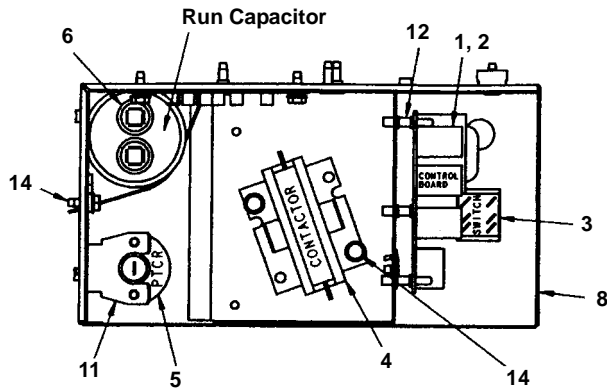
**JY0605W**

**JD0602A**

**JY0694N**

**JD0603W**

# J0600 CONTROL BOX



1421

## DESCRIPTION

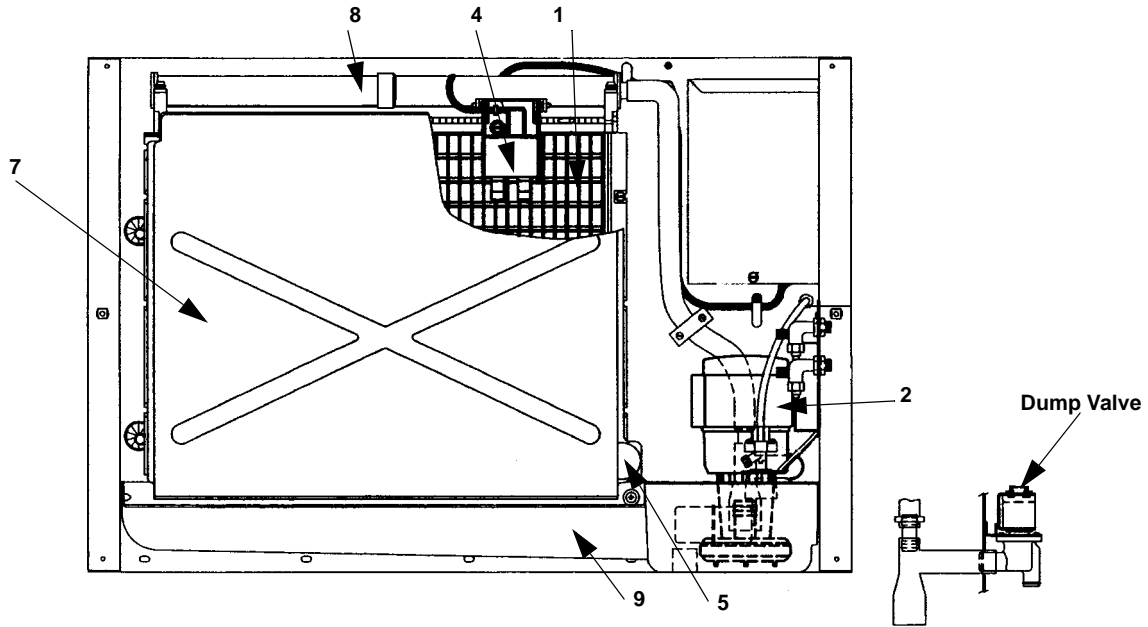
	<b>PART NO.</b>
1 <b>Control Board</b> (For use with all voltages) .....	† 76-2782-3
2 <b>Fuses – Mounted On Control Board</b>	
a. 7 Amp .....	25-1100-3
b. .125 Amp 60 Hz Mini Fuse .....	† 25-1116-9
c. .100 Amp 50 Hz Mini Fuse .....	25-1105-3
3 <b>Toggle Switch Only</b> .....	23-0134-3
a. Toggle Switch With Wiring Harness Attached .....	20-3217-3
4 <b>Contactor</b> 208-230V/60 Hz/1 Ph or 230V/50 Hz/1 Ph .....	† 20-0659-9
5 <b>P.T.C.R. Compressor Starter</b> .....	85-0499-3
6 <b>Compressor Run Capacitor</b>	
a. 60 Hz for R586C1E-PFV-258 .....	20-1014-3
b. 60 Hz for R586C1E-PFV-251 .....	85-0393-3
c. 60 Hz for C503KQE-PFV-255 .....	85-0393-2
d. 50 Hz .....	85-0393-3
7 <b>Terminal Board With Wire Harness Attached</b>	
a. 60 Hz .....	20-3208-3
b. 50 Hz .....	20-3209-3

## Miscellaneous – Brackets, Screws, etc.

8 Control Box .....	602046-1
9 Control Box Cover (Not shown) .....	† 76-2507-3
10 Compressor Run Capacitor Mounting Bracket .....	602160-1
11 P.T.C.R. Compressor Starter Mounting Bracket .....	85-0501-3
12 Control Board Mounting Supports .....	43-0225-3
13 Screw, #10-24 x .50 Ground .....	† 52-0216-9
14 Screw, #10-24 x .50 Hex Head .....	† 52-0206-9

† Refer to Cross Reference Guide

# J0600 EVAPORATOR COMPARTMENT



1422

## DESCRIPTION

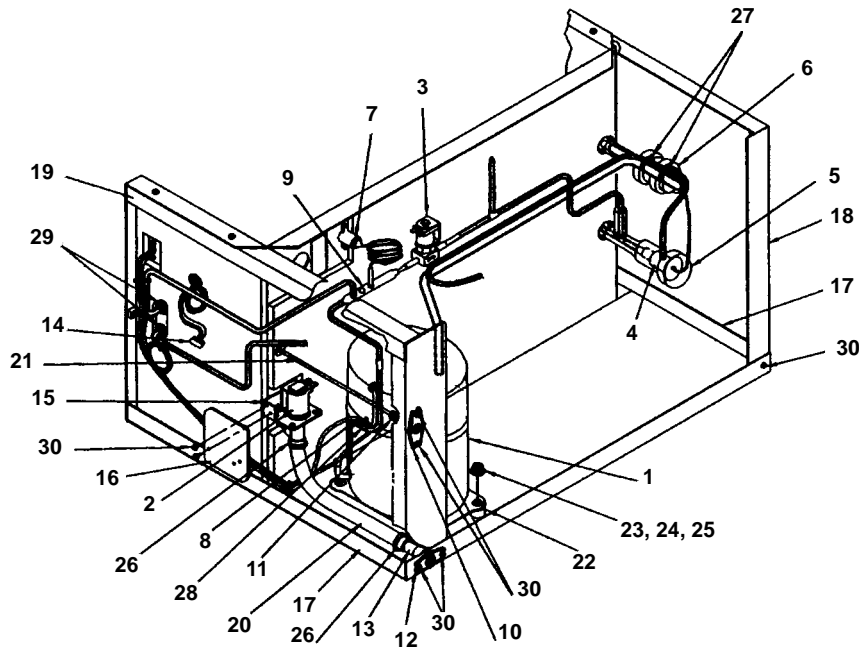
	DESCRIPTION	PART NO.
1	<b>Evaporator Assembly</b>	
	a. Regular Cube . . . . .	† 76-2515-9
	b. Dice Cube . . . . .	† 76-2514-9
	c. Half Dice Cube . . . . .	† 76-2513-9
	d. Gasket/Top Molding Assembly . . . . .	76-2621-3
2	<b>Water Pump</b> 208-230V/60 Hz or 230V/50 Hz . . . . .	† 76-2601-3
3	<b>Float Valve (Complete Assembly)</b> . . . . .	83-6913-3
	a. Float Valve Screen . . . . .	† 83-6906-9
	b. Float Valve Plunger . . . . .	† 83-6908-9
	c. Float Valve Compression Nut . . . . .	† 56-5072-9
4	Ice Thickness Control . . . . .	† 76-2781-3
5	Magnetic Bin Switch (Mounted to Evaporator) . . . . .	† 23-0148-3
6	Water Flow Clamp (Use on Regular Cube Evap. Only) . . . . .	76-2054-3
7	Water Curtain . . . . .	† 43-0464-3
	a. Water Curtain Hanger . . . . .	76-2776-3
	b. Water Curtain Magnet And Clip . . . . .	† 76-2802-3
8	Water Distribution Tube . . . . .	† 76-2498-3
9	Water Trough . . . . .	† 76-2748-3
10	High Pressure Cut-out (Refrigeration System) . . . . .	† 23-5536-9
11	Refrigeration Service Valve Assembly . . . . .	† 83-7310-9

## Miscellaneous – Brackets, Screws, etc.

12	Float Valve Mounting Bracket . . . . .	† 76-2140-3
13	Control Box Cover . . . . .	† 76-2507-3
14	Nylon Spring Clip . . . . .	† 56-5090-9
15	Tubing, Vinyl .25 OD (Water Inlet) . . . . .	44-2029-1
16	Tubing, Vinyl .625 ID (Water Pump Out) . . . . .	44-2083-3
17	Reducing Tee (Rubber) . . . . .	43-0057-3
18	Union Connector (White Nylon) . . . . .	83-9005-3
19	Water Trough Support Pin (Order Nylon Hex Nut Separately) . . . . .	† 43-0201-9
20	Water Trough Support Pin Nylon Hex Nut . . . . .	† 54-2945-9
21	Clip-in Receptacle (Female Side) . . . . .	56-5085-3
22	Clip-in Receptacle Wing Nut (Male Side) . . . . .	56-5086-3
23	Water Trough Support Clip . . . . .	† 76-2704-3
24	Screw, #8-32 x .63 Nylon Water Distribution Tube Mounting . . . . .	† 50-0001-3
25	Screw Used to Mount High Pressure Cut-out . . . . .	† 51-2166-9
26	Screw, #10-24 x .50 . . . . .	† 52-0206-9
27	Screw, #10-24 x .750 Used to Mount Evaporator . . . . .	† 52-0218-9

† Refer to Cross Reference Guide

## J0600 COMMON PARTS



1423

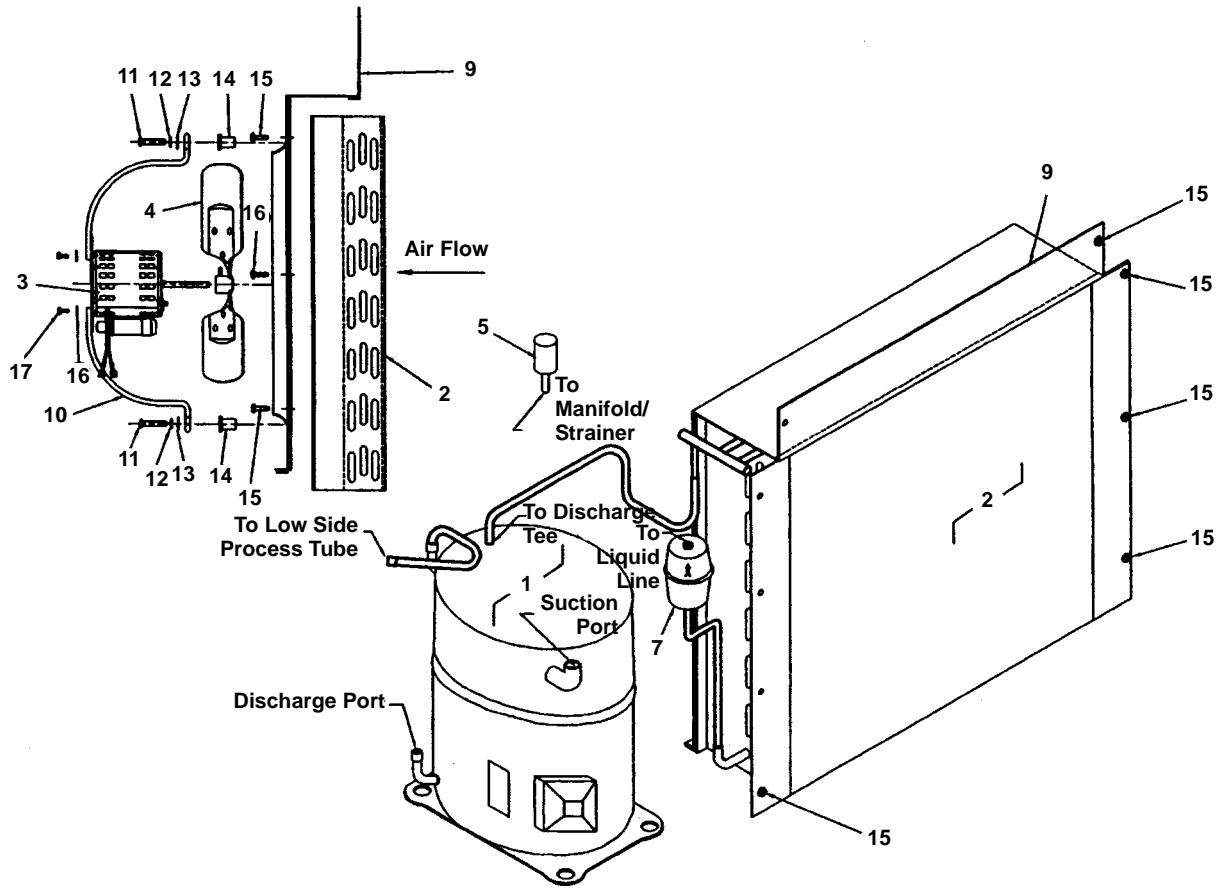
### DESCRIPTION

### PART NO.

1	<b>Compressor</b>	
	a. 208-230V/60 Hz/1 Ph . . . . .	76-0094-3
	b. 230V/50 Hz/1 Ph . . . . .	76-0093-3
2	<b>Water Dump Valve</b>	
	a. Dump Valve Rebuild Kit. . . . .	No Longer Available
	b. Dump Valve Coil Only, 208/230V 50/60 Hz . . . . .	000001768
3	<b>Hot Gas Valve</b>	
	a. Hot Gas Valve Including 208/230V 50/60 Hz Coil (Danfoss). . . . .	† 76-3010-1
	b. Hot Gas Valve 208/230V 50/60 Hz Coil Only . . . . .	† 24-0448-3
4	Expansion Valve . . . . .	† 76-0020-3
5	Expansion Valve Body Insulation Boot	
	a. Alco . . . . .	40-0721-3
	b. Danfoss . . . . .	40-0036-3
6	Expansion Valve Bulb Insulation Boot . . . . .	40-0720-3
7	High Pressure Cut-out Control . . . . .	† 23-5536-9
8	Thermistor. . . . .	23-5116-3
9	Manifold Strainer. . . . .	83-1015-3
10	Water Inlet Female Wing Adapter. . . . .	† 87-0609-3
11	Water Inlet Union (Compression Nut). . . . .	13-6096-1
12	Water Drain Female Wing Adapter. . . . .	17-0602-1
13	Water Drain Copper Tube Insert. . . . .	11048-1
14	Water Pump Electrical Wire Lead. . . . .	† 20-7810-3
<b>Miscellaneous – Brackets, Screws, etc.</b>		
15	Dump Valve Mounting Bracket . . . . .	626031-4
16	Dump Valve Shield (Used on Air-cooled Models Only) . . . . .	† 70-0062-3
17	Base Angle . . . . .	† 601287-1
18	Left Corner Post Weldment. . . . .	600084-1
19	Right Corner Post Weldment . . . . .	600084-2
20	Water Drain Vinyl Tubing, .625 ID. . . . .	† 44-2038-3
21	Water Inlet Vinyl Tubing, .25 ID . . . . .	44-2029-1
22	Compressor Mounting Rubber Grommet . . . . .	† 85-0306-9
23	Compressor Mounting Sleeve (Inserts into Grommet) . . . . .	† 85-0394-9
24	Compressor Mounting Nut . . . . .	† 54-3002-9
25	Compressor Mounting Washer . . . . .	† 55-7309-9
26	Clamp, Water Drain . . . . .	† 56-5070-9
27	Clamp, Expansion Valve Bulb. . . . .	† 56-5052-9
28	Clamp, Thermistor . . . . .	56-5077-3
29	Locknut, Used to Fasten Refrigerant Service Valves . . . . .	† 54-7503-9
30	Screw, #10-24 x .50 . . . . .	† 52-0206-9

† Refer to Cross Reference Guide

# J0600 AIR-COOLED



1424

## DESCRIPTION

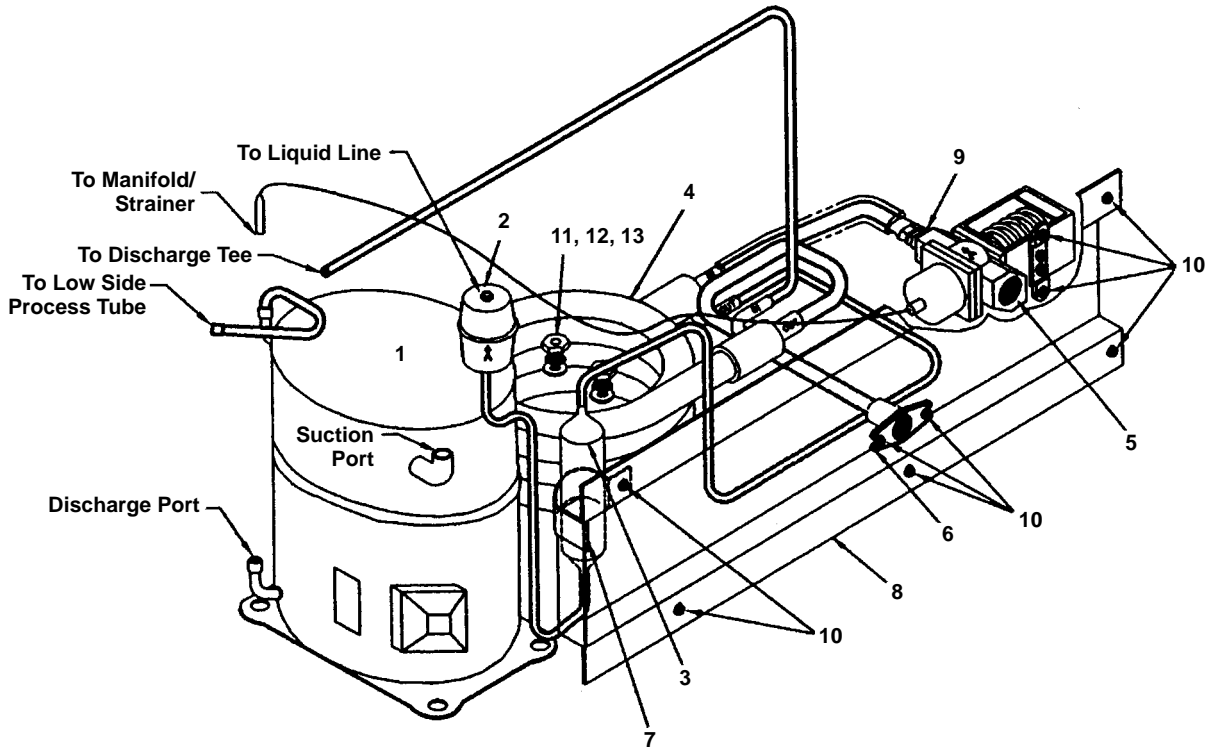
	<b>PART NO.</b>
1 Compressor (Refer to COMMON PARTS) . . . . .	Page 4
2 Air Condenser . . . . .	88-5060-3
3 Fan Motor 208-230V/60 Hz or 230V/50 Hz . . . . .	† 24-1293-9
4 Fan Blade . . . . .	24-1617-3
5 Fan Cycling Control . . . . .	† 20-0126-3
6 Air Filter (Not shown) . . . . .	40-4003-3
7 Drier . . . . .	† 89-3025-9

## Miscellaneous – Brackets, Screws, etc.

8 Air Filter Bracket (Not shown) . . . . .	† 76-2686-3
9 Fan Shroud . . . . .	600088-1
10 Fan Motor Mounting Bracket . . . . .	34-0662-3
11 Screw . . . . .	† 50-3358-9
12 Lockwasher . . . . .	† 55-4510-9
13 Flat Washer . . . . .	† 55-7305-9
14 Rubber Well Nut . . . . .	† 54-2955-9
15 Screw, #10-24 x .50 . . . . .	† 52-0206-9
16 Flat Washer . . . . .	† 55-0426-9
17 Screw, 8-36 x 7/16" . . . . .	† 50-2559-9

† Refer to Cross Reference Guide

# J0600 WATER-COOLED



1425

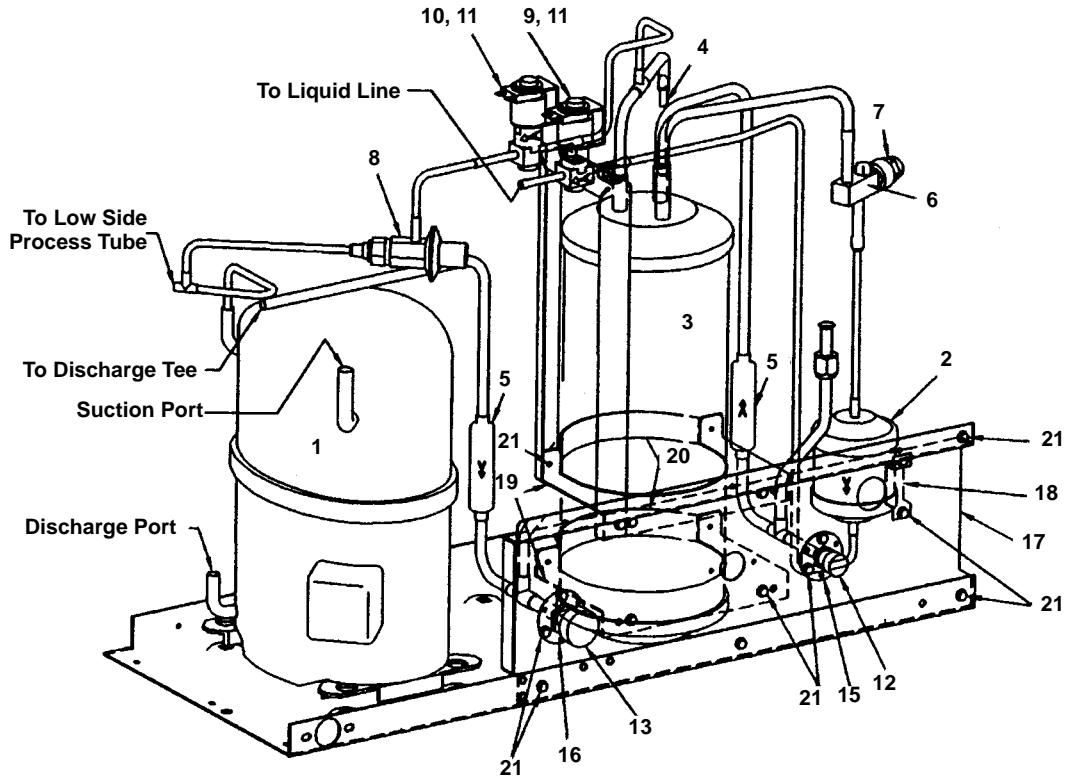
## DESCRIPTION

	<b>PART NO.</b>
1 Compressor (Refer to COMMON PARTS) . . . . .	Page 4
2 Drier . . . . .	† 89-3025-9
3 Receiver . . . . .	12-0003-1
4 Water-cooled Condenser . . . . .	† 88-6533-3
5 Water Regulating Valve . . . . .	† 83-7206-9
6 Water Drain Female Wing Adapter. . . . .	87-0612-3

## Miscellaneous – Brackets, Screws, etc.

7 Receiver Strap . . . . .	600054-1
8 Back Panel . . . . .	600057-1
9 Water Coupling. . . . .	83-3203-3
10 Screw, #10-24 x .50 . . . . .	† 52-0206-9
11 Flat Washer. . . . .	† 55-7309-9
12 Lockwasher. . . . .	† 55-4514-9
13 Nut . . . . .	† 54-3002-9

# J0600 REMOTE



1426

## DESCRIPTION

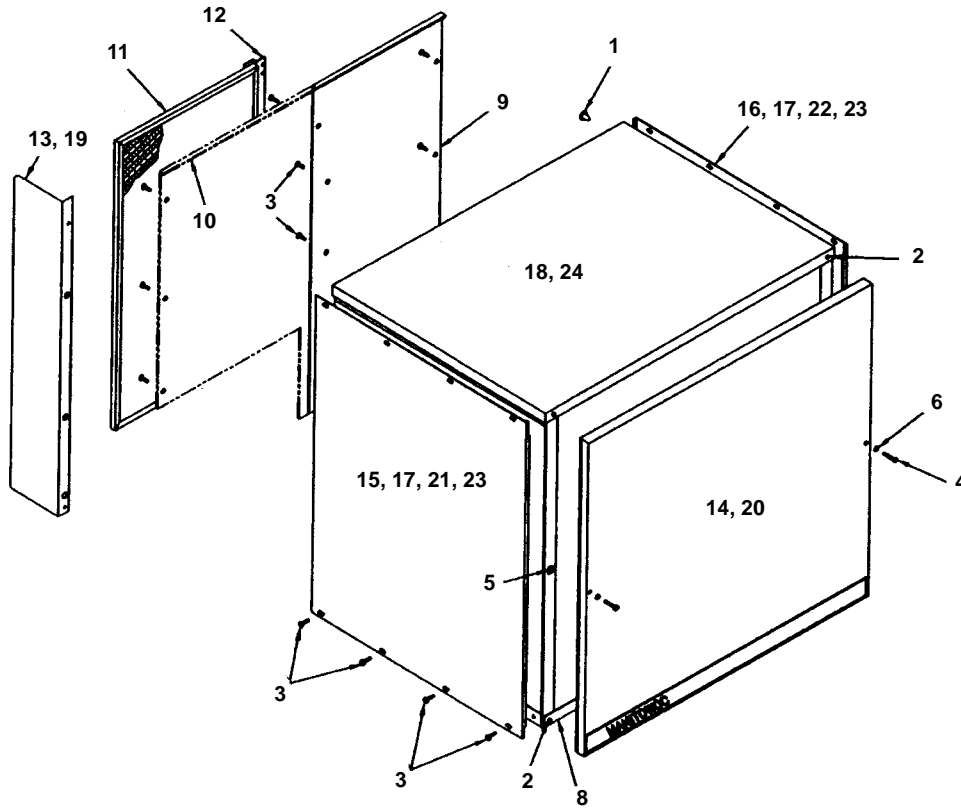
	<b>PART NO.</b>
1 Compressor (Refer to COMMON PARTS) . . . . .	Page 4
2 Drier . . . . .	† 89-3024-9
3 Receiver . . . . .	† 76-2957-3
4 Safety Soft Plug . . . . .	† 628451-9
5 Magni-Check Valve . . . . .	† 83-7314-9
6 Liquid Line Service Valve . . . . .	† 83-7316-9
7 Cap (For Liquid Line Service Valve) . . . . .	56-5075-3
8 HPR Pressure Regulating Valve . . . . .	† 83-6779-3
9 Liquid Line Solenoid Valve (LLS), Includes 208/230V 50/60 Hz Coil (Danfoss) . . . . .	† 76-3008-1
10 HPR Solenoid Valve, Includes 208/230V 50/60 Hz Coil (Danfoss) . . . . .	† 76-3006-1
11 Alco 230V Coil Only, for LLS and HPR Valves. . . . .	† 24-0448-3
12 Coupling – Male, 5/8-18 . . . . .	† 83-6034-3
13 Coupling – Male, 1-1/6-12 . . . . .	† 83-6035-3
14 Coupling Kit – Female (On Line Set – Not shown) . . . . .	Sales K0129

## Miscellaneous – Brackets, Screws, etc.

15 Coupling Mounting Flange (for 5/8-18) . . . . .	83-6005-3
16 Coupling Mounting Flange (for 1-1/16-12) . . . . .	83-6006-3
17 Back Panel . . . . .	600057-1
18 Drier Support Bracket . . . . .	601737-1
19 Receiver Mounting Bracket . . . . .	600056-1
20 Receiver Mounting Strap . . . . .	630721-4
21 Screw, #10-24 x .50 . . . . .	† 52-0206-9

† Refer to Cross Reference Guide

## J0600 PANELS



1427

### COMMON PARTS

	<b>PART NO.</b>
1 Canoe Clip Fastener . . . . .	† 56-4820-9
2 Screw, #10-24 x .50 Flat . . . . .	† 52-0209-9
3 Screw, #10-24 x .50 Hex. . . . .	† 52-0206-9
4 Screw, #8-32 x 1.50 . . . . .	† 50-2668-9
5 Cage Nut 8-12 . . . . .	† 54-2910-9
6 "0" Ring . . . . .	† 37-1819-9
7 Extruded Tape (Not shown) . . . . .	† 92-0250-9
8 Front Support . . . . .	† 658041-9
9 Back Panel, Air . . . . .	602086-1
10 Back Panel, Water or Remote . . . . .	600045-1
11 Air Filter . . . . .	40-4003-3
12 Filter Bracket. . . . .	† 76-2686-3

### FAWN

13 Air Baffle . . . . .	600220-1
14 Front Panel Assembly. . . . .	† 76-2525-3
15 LH Side Panel, Air . . . . .	602050-1
16 RH Side Panel, Air . . . . .	602059-1
17 Side Panel, Water or Remote . . . . .	600060-1
18 Top Cover . . . . .	600068-1

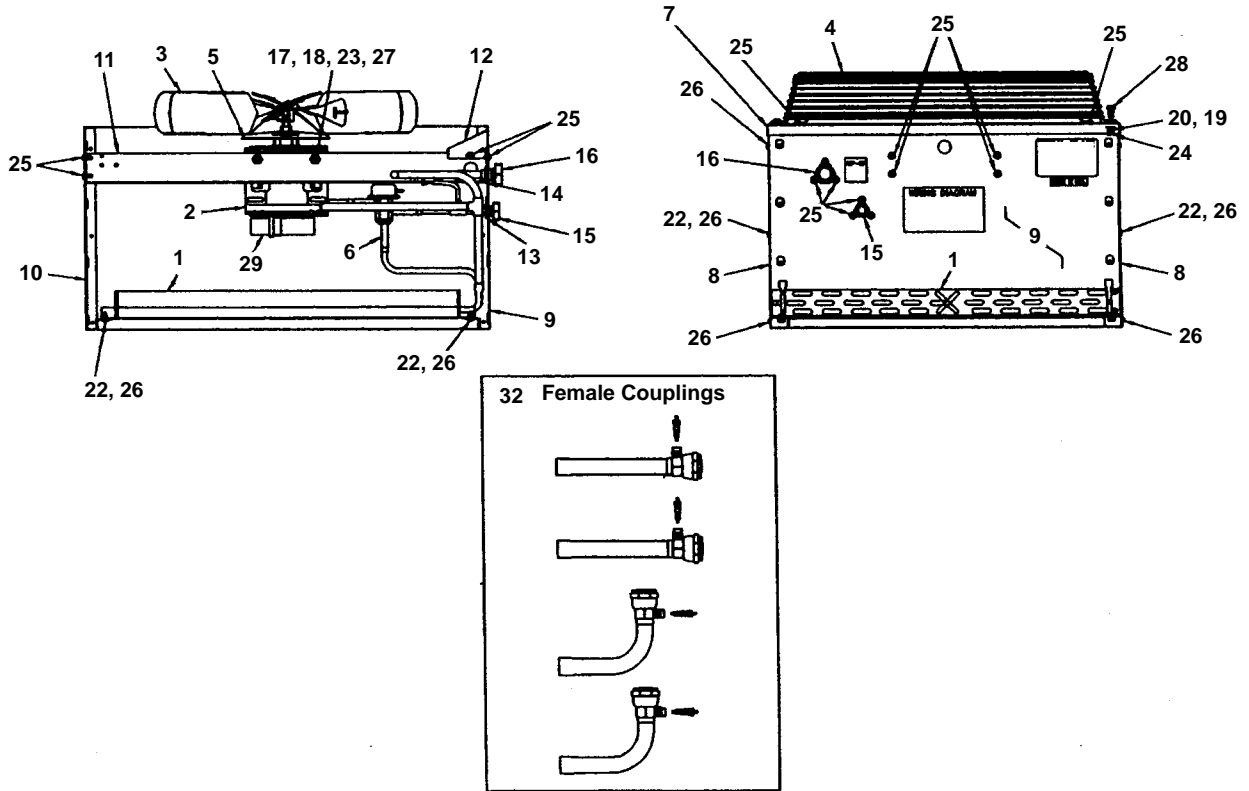
### STAINLESS STEEL

19 Air Baffle . . . . .	600220-3
20 Front Panel Assembly. . . . .	† 76-2526-3
21 LH Side Panel, Air . . . . .	602050-2
22 RH Side Panel, Air . . . . .	602059-2
23 Side Panel, Water or Remote . . . . .	600060-3
24 Top Cover . . . . .	600068-3

† Refer to Cross Reference Guide



# JC0895 REMOTE CONDENSER



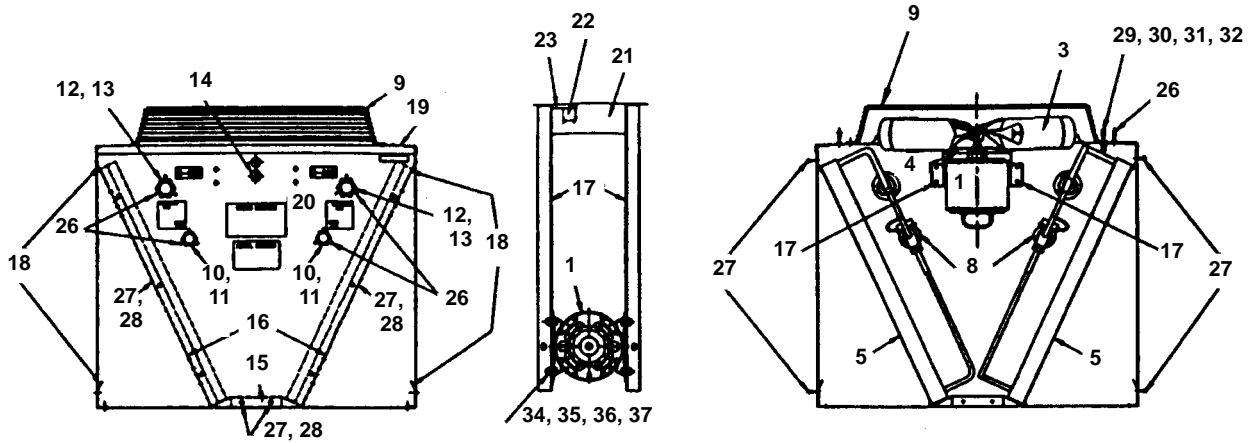
1428

## COMMON PARTS

	<b>PART NO.</b>
1 Air Condenser .....	† 88-5062-9
2 Fan Motor, 208-230V/60 Hz or 230V/50 Hz .....	† 76-2941-3
3 Fan Blade .....	24-1611-3
4 Fan Guard .....	34-0064-3
5 Rain Slinger .....	24-1505-3
6 Head Pressure Control .....	83-6809-3
7 Top Cover .....	† 601775-1
8 Panel, Side .....	† 601774-1
9 Panel, Rear .....	† 601773-1
10 Panel, Front .....	† 601772-1
11 Base Bracket .....	† 601768-1
12 Electrical Cover .....	† 601776-1
13 Mounting Flange .25 x .38 .....	83-6005-3
14 Mounting Flange .50 x .88 .....	83-6006-3
15 Coupling, Male .63-18 .....	† 83-6034-3
16 Coupling, Male 1.06-12 .....	† 83-6035-3
17 Lockwasher .31 Split .....	† 55-7313-9
18 Washer – Flat .31 ID .....	† 55-7309-9
19 Washer – Flat .25 Stainless .....	† 55-7304-9
20 Lockwasher .25 Split Stainless .....	† 55-4511-9
21 Lockwasher #10 Int. Phos. ....	† 55-4464-9
22 Lockwasher #8 Int. Phos. ....	† 55-4459-9
23 Nut .31-18 Steel Hex .....	54-2975-9
24 Nut .25-20 Steel Hex .....	† 54-2952-9
25 Screw, #10-24 x .50 .....	† 52-0206-9
26 Screw, #8 x .5 .....	† 51-2153-9
27 Screw, .31-18 x .62 .....	† 50-3565-9
28 Screw, .25-2 x .62 .....	† 50-3345-9
29 Fan Capacitor (Emerson) .....	85-0458-3
29 Fan Capacitor (Magnatec) .....	85-0352-3
30 Terminal Block .....	20-0614-3
31 Terminal Block Mounting Bracket .....	600868-1
32 Female Coupling Kit .....	Sales K0129
33 Mounting Legs (Not shown) .....	† 601769-1

† Refer to Cross Reference Guide

# DC0862 REMOTE CONDENSER



1429

## COMMON PARTS

	<b>PART NO.</b>
1 Fan Motor, 115V/60 Hz . . . . .	† 76-2942-3
2 Capacitor for Fan Motor . . . . .	85-0352-3
3 Fan Blade . . . . .	24-1611-3
4 Rain Slinger . . . . .	24-1505-3
5 Air Condenser (Uses 2) . . . . .	† 88-5062-9
6 Back Panel (Not shown) . . . . .	† 601788-1
7 Legs (Not shown) . . . . .	† 601769-1
8 Headmaster Control . . . . .	83-6809-3
9 Fan Guard . . . . .	34-0064-3
10 Male Coupling 5/8 - 18 THR . . . . .	† 83-6034-3
11 Coupling Flange for 83-6034-3 . . . . .	83-6005-3
12 Male Coupling 1-1/16 - 12 THR . . . . .	† 83-6035-3
13 Coupling Flange for 83-6035-3 . . . . .	83-6006-3
14 Hole Plug For 7/8" Hole . . . . .	43-0146-3
15 Base . . . . .	601779-1
16 Condenser Mounting Angle . . . . .	601777-1
17 Fan Mounting Bracket Also Used As Base Bracket . . . . .	† 601768-1
18 Support Bracket . . . . .	† 601778-1
19 Top Cover . . . . .	601789-1
20 Front Panel . . . . .	† 601787-1
21 Electrical Box Cover . . . . .	† 601776-1
22 Relay . . . . .	24-0819-3
23 Relay Mounting Bracket . . . . .	600000-1
24 Transformer (Not shown) . . . . .	24-1027-3
25 Electrical Junction Box (Not shown) . . . . .	25-1501-3
26 Screw, #10-24 x .62 . . . . .	† 52-0206-9
27 Screw, #8 x .50 . . . . .	† 51-2153-9
28 Lockwasher #8 . . . . .	† 55-4459-9
29 Screw, .25 x .62 . . . . .	† 50-3345-9
30 Lockwasher .25 split SS . . . . .	† 55-4511-9
31 Washer, Flat .25 SS . . . . .	† 55-7304-9
32 Nut .25-20 Steel Hex . . . . .	† 54-2952-9
33 Lockwasher #10 . . . . .	† 55-4464-9
34 Screw, .31-18 x.62 Hex Head . . . . .	† 50-3565-9
35 Nut .31-18 Steel Hex Head . . . . .	54-2975-9
36 Washer, Flat .31 ID . . . . .	† 55-7309-9
37 Lockwasher .31 Split Zinc . . . . .	† 55-7313-9
38 Line Set Female Coupling 1-1/16 - 12, 90 Degree . . . . .	† 83-6026-3
39 Line Set Female Coupling Straight 1-1/16 - 12 . . . . .	83-6027-3
40 Line Set Female Coupling 5/8 - 18, 90 Degree . . . . .	83-6047-3
41 Line Set Female Coupling Straight 5/8 - 18 . . . . .	83-6048-3
42 Access Fitting Core for Couplings . . . . .	76-2684-3

**NOTE:** Items 22, 23, 24 and 25 are used only when the optional K-00095 relay/transformer kit has been installed.

† Refer to Cross Reference Guide