



INSTALLATION AND OPERATING INSTRUCTIONS

HEAVY DUTY ELECTRIC FRYERS

Models: HEF-15S, HEF-30T

INTENDED FOR OTHER THAN HOUSEHOLD USE
RETAIN THIS MANUAL FOR FUTURE REFERENCE
OVEN MUST BE KEPT CLEAR OF COMBUSTIBLES AT ALL TIMES



FOR YOUR SAFETY

Do not store or use gasoline or other flammable vapors and liquids in the vicinity of this or any other appliance.



WARNING

Improper installation, adjustment, alteration, service or maintenance can cause property damage, injury or death. Read the Installation, Operating and Maintenance Instructions thoroughly before installing or servicing this equipment.



WARNING

Initial heating of oven may generate smoke or fumes and must be done in a well-ventilated area. Overexposure to smoke or fumes may cause nausea or dizziness.



This equipment has been engineered to provide you with year round dependable service when used according to the instructions in this manual and standard commercial kitchen practices.



P/N 8814621 9-09

APW WYOTT Foodservice Equipment Company

P.O. Box 1829
Cheyenne, WY 82003

(307) 634-5801 Phone
(307) 637-8071 Fax

(800) 752-0863 Toll Free
www.apwwyott.com

TABLE OF CONTENTS

<u>SECTION</u>	<u>ITEM</u>	<u>PAGE</u>	<u>SECTION</u>	<u>ITEM</u>	<u>PAGE</u>
1	Safety Precautions	2	8	Cleaning	6
2	General Instructions	4	9	Specifications	7
3	Description	4	10	Wiring Diagrams.....	8
4	Installation	4	11	Troubleshooting Guide	10
5	Thermostat Calibration	5	12	Suggested Temperature & Times	11
6	Operating	5	13	Replacement Parts	11
7	Maintenance.....	6	14	Warranty.....	17

APW Wyott takes pride in the design and quality of our products. When used as intended and with proper care and maintenance, you will experience years of reliable operation from this equipment. To ensure best results, it is important that you read and follow the instructions in this manual carefully. Installation and start-up should be performed by a qualified installer who thoroughly read, understands and follows these instruction.

If you have questions concerning the installation, operation, maintenance or service of this product, write Technical Service Department APW Wyott Foodservice Equipment Company, P.O. Box 1829, Cheyenne, WY 82003.

1. SAFETY PRECAUTIONS

Before installing and operating this equipment be sure everyone involved in its operation is fully trained and is aware of all precautions. Accidents & problems can result by a failure to follow fundamental rules and precautions.

The following words and symbols, found in this manual, alert you to hazards to the operator, service personnel or the equipment. The words are defined as follows:

DANGER: This symbol warns of imminent hazard which will result in serious injury or death.

WARNING: This symbol refers to a potential hazard or unsafe practice, which could result in serious injury or death.

CAUTION: This symbol refers to a potential hazard or unsafe practice, which may result in minor or moderate injury or product or property damage.

NOTICE: This symbol refers to information that needs special attention or must be fully understood even though not dangerous.



CAUTION: These models are designed, built, and sold for commercial use. If these models are positioned so the general public can use the equipment make sure that cautions, warnings, and operating instructions are clearly posted near each unit so that anyone using the equipment will use it correctly and not injure themselves or harm the equipment.

WARNING: Check the data plate on this unit before installation. Connect the unit only to the voltage and frequency listed on the data plate. Connect only to 1 or 3 phase as listed on the data plate.

WARNING: Electrical and grounding connections must comply with the applicable portions of the national electrical code and/or other local electrical codes.

WARNING: Disconnect device from electrical power supply and place a Tag Out-Lockout on the power plug, indicating that you are working on the circuit.



WARNING: Install per the spacing requirements listed in the installation section of this manual. We strongly recommend having a competent professional install the equipment. A licensed electrician should make the electrical connections and connect power to the unit. Local codes should always be used when connecting these units to electrical power. In the absence of local codes, use the latest version of the National Electrical Code.



WARNING: This device should be safely and adequately grounded in accordance with local codes, or in the absence of local codes, with the National Electrical code, ANSI/NFPA 70, Latest Edition to protect the user from electrical shock. It requires a grounded system and a dedicated circuit, protected by a fuse or circuit breaker of proper size and rating. Canadian installation must comply with the Canadian Electrical Code, CSAC22.2, as applicable.



CAUTION: Do not set the fryer with its back flat against the wall. It will not operate properly unless there is at least 3" breathing space behind fryer.



WARNING: A factory authorized agent should handle all maintenance and repair. Before doing any maintenance or repair, contact APW Wyott.



WARNING: Never clean any electrical unit by immersing it in water. Turn off before cleaning surface.



WARNING: An earthing cable must connect the appliance to all other units in the complete installation and from there to an independent earth connection.



NOTICE: The unit when installed, must be electrically grounded and comply with local codes, or in the absence of local codes, with the national electrical code ANSI/NFPA70- latest edition. Canadian installation must comply with CSA-STANDARD C.22.2 Number 0 M1982 General Requirements- Canadian Electrical Code Part II, 109-M1981- Commercial Cooking Appliances.



WARNING: SHOCK HAZARD - De-energize all power to equipment before cleaning the equipment.



NOTICE: This product is intended for commercial use only. Not for household use.



NOTICE: Local codes regarding installation vary greatly from one area to another. The National Fire Protection Association, Inc. states in its NFPA96 latest edition that local codes are "Authority Having Jurisdiction" when it comes to requirement for installation of equipment. Therefore, installation should comply with all local codes.



CAUTION: This product when stacked, has more than one power supply connection point. Disconnect all power supplies before servicing.



CAUTION: Suitable for installation on combustible floor when installed with legs or casters provided.



WARNING: SHOCK HAZARD - Do not open any panels that require the use of tools.



IMPORTANT FOR FUTURE REFERENCE

Please complete this information and retain this manual for the life of the equipment. For Warranty Service and/or Parts, this information is required.

_____ Model Number

_____ Serial Number

_____ Date Purchased

IMMEDIATELY INSPECT FOR SHIPPING DAMAGE

All containers should be examined for damage before and during unloading. The freight carrier has assumed responsibility for its safe transit and delivery. If equipment is received damaged, either apparent or concealed, a claim must be made with the delivering carrier.

- A) Apparent damage or loss must be noted on the freight bill at the time of delivery. It must then be signed by the carrier representative (Driver). If this is not done, the carrier may refuse the claim. The carrier can supply the necessary forms.
- B) Concealed damage or loss if not apparent until after equipment is un-crated, a request for inspection must be made to the carrier within 15 days. The carrier should arrange an inspection. Be certain to hold all contents and packaging material.

Installation and start-up should be performed by a qualified installer who thoroughly read, understands and follows these instructions.

2. GENERAL INFORMATION

General Installation:

- 1. Always clean equipment thoroughly before first use (see “General Cleaning Instructions”).
- 2. Check rating label for your model designation & electrical rating.
- 3. For best results, use stainless steel countertops.
- 4. Attach legs to unit.

General Operation Instructions:

- 1. All food service equipment should be operated by trained personnel.
- 2. Do not allow your customers to come in contact with any surface labeled “CAUTION HOT”.
- 3. Where applicable, never pour cold water into dry heated units.
- 4. NEVER hold food below 140°F.

General Cleaning Instructions:

- 1. Refer to section 8, page 6.

General Troubleshooting:

Always ask and check:

- 1. Is the unit connected to a live power source?
- 2. Check circuit breaker.
- 3. Is power switch “ON” and pilot light glowing?
- 4. Check rating label. Are you operating unit on proper voltage?

If the above checks out and you still have problems, call an **APW/Wyott** authorized service agency.

3. DESCRIPTION

Electric Fryers:

These electric units are designed for countertop operation. They are used for producing evenly cooked, perfectly fried products.

4. INSTALLATION

- 1. Follow General Installation Instructions on previous page.

Screw legs into the permanently fastened nuts on the four corners of the unit and tighten by hand. Level the fryer by turning the adjustment screw at the bottom of each leg. Do not slide unit with legs mounted, lift if necessary to move unit.

For testing, see the wiring diagrams in this manual for the rated amperages.

NOTE: These values are nominal ratings. Field wire connections must be capable of withstanding anticipated surges.



CAUTION: Installing personnel should be guided by National Electrical Code NFPA Number 70 (Latest Edition), and applicable local codes.

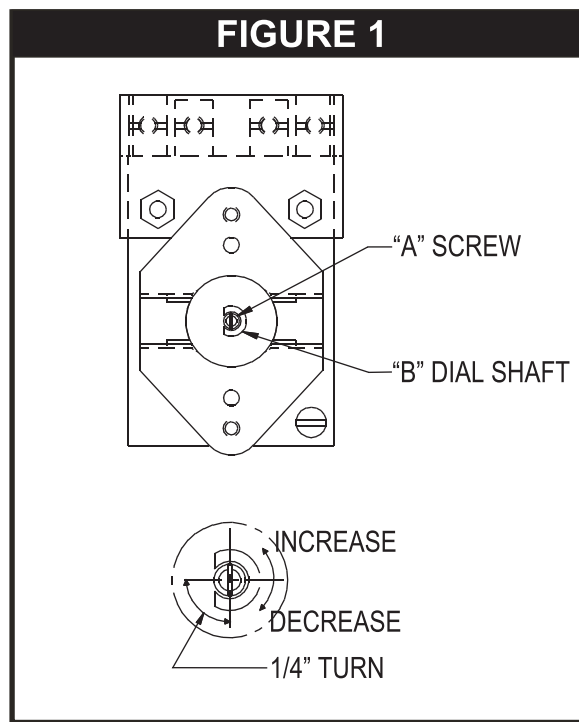


5. THERMOSTAT CALIBRATION

Checking Thermostat Calibration:

The fryer thermostat is carefully calibrated at the factory so that dial settings match actual frying compound temperatures. Field re-calibration is seldom necessary unless the unit has been mishandled in transit or abused. Re-calibration should not be resorted to unless considerable experience with cooking results definitely proves that the control isn't maintaining the temperature to which the dial is set.

1. To check compound frying temperatures when re-calibrating, use a precision test instrument, or a good grade mercury thermometer. Fill the tank half way between the **MAX** and **MIN** marks on the tank.
2. Frying compound temperature should be checked at the center of the tank, approximately 1" to 1 ½" below surface of frying compound.
3. Turn the dial of the thermostat being checked to the 350°F mark.
4. Allow temperature to stabilize, or until the thermostat cycles to "OFF" three times after starting with cold frying compound. With power "ON", read highest and lowest frying compound temperature, as thermostat cycles through at least two cycles. Average the reading.
5. Thermostat should be re-calibrated if temperature reading is not within 10 degrees of the control knob setting (350°F +/- 15°F). If re-calibration is required, continue with steps 6, 7, 8 and 9.
6. Remove control knob by grasping outer edge and pulling straight out, without twisting or turning.
7. Hold thermostat dial shaft "B" (Figure 1) stationary with pliers, and with a screwdriver, turn screw "A" clockwise to obtain a lower temperature; or counter-clockwise for higher temperature. Each ¼ turn (90° rotation) of screw "A" represents 18°F.
8. Replace thermostat control knob.
9. Recheck thermostat as in Steps 4 and 5 above. If the fat temperature is not within 20 degrees of dial setting (350°F +/- 20°F), it means that the sensing element is inoperative and the thermostatic control should be replaced.



6. OPERATING

Removing Fry Tanks (Fry tanks equipped with drain are not to be removed):

1. Remove fry baskets.
2. Carefully grasp the element handle. CAUTION: May be hot. Pull out the head lock on the left of the head. On the EF-30NT there is also a head lock on the right side of the right head.
3. Lift the element handle while at the same time, pulling the head lock. This will permit lifting the elements to just above frying compound level in tank. The element can be left in this position for draining frying compound.
4. Again, lift the element handle while pulling the head lock, until the elements lock themselves at a higher position.
5. Firmly grasp both handles of fry tank and lift it out. After replacing the fry tank, simply pull the head lock; and at the same time, pull down the element handle until the elements rest on fry tank bottom.
6. Both the lifting out and lowering of elements can be done in one swing, without stopping at the intermediate position.



7. MAINTENANCE

Filling Fry Tank:

1. Fill the fry tank half way between the **MAX** and **MIN** marks on the tank with approximately 15 lbs. of liquid or melted frying compound. Do not fill past the **MAX**.
NOTE: This fryer is not equipped with a melt cycle option. Air holes caused when packing solid frying compound into the fryer can cause hot spots on the heating element sheath, resulting in momentary overheating of some of the frying compound and premature frying compound breakdown. It can also damage the heating elements. If it is necessary to use solid frying compound, it must be melted before adding to fry tank.
Turn the thermostat to the desired frying temperature. The yellow "HEAT ON" light will stay on until the temperature set on the thermostat is reached, then the light cycles off. The fryer is now ready to begin frying. After a load has been fried, do not lower the next load into the frying compound until the "HEAT ON" light cycles off.
2. Do not let the frying compound level drop below the **MIN** mark on the tank. For proper operation of the fryer and good frying results, the frying compound level should be maintained.
3. Use a quality frying compound.
4. Filter the frying compound frequently, at least once a day.
5. Skim out food particles frequently with the strainer/skimmer.
6. Add at least 15% (of fry tank capacity) of fresh frying compound daily, (more if possible) without overloading the tank. If 15% of the frying compound is not used during frying, remove some of the frying compound for other use (gravy, griddle frying, etc.) to permit adding fresh frying compound.
7. Do not overload the fry baskets. Approximately half-full or even less is correct. If foods are taking longer to fry than the chart shows, or are not browning, over-loading is a probable cause.
8. Prepare the food properly.
9. Keep salt out of the frying compound. Do not salt foods with the basket above the kettle.
10. Assure a good thermostat operation.
11. Keep the fry tank and elements clean.


8. CLEANING


1. The frequency of cleaning should depend on the load conditions. Set a definite cleaning schedule corresponding to how hard the kettle is used. Cleaning should be done at least once a week.
 - A. Turn the thermostat to "OFF" and allow unit to cool down.
 - B. Lift the elements to drain position. Wire brush or scrape elements to remove any solids adhering to the elements.
 - C. Raise the elements. Lift out fry tank. Strain the frying compound into a clean container.
 - D. Replace empty fry tank, lower elements to rest inside the tank.
 - E. Add water to the "**MAX**" mark on tank.
 - F. Add any good grade of cleaner, following cleaning instructions.

 **CAUTION:** Use only non-abrasive cleaners. Abrasive cleaners could scratch the finish of your unit, marring it's appearance and making it susceptible to dirt accumulation. Do Not use steel wool, other abrasive cleaners or cleaners/sanitizers containing chlorine, iodine, ammonia or bromine chemicals as these will deteriorate the stainless steel and glass material and shorten the life of the unit. 

- G. Turn the thermostat to 250°F and let the heating unit bring the solution to a boil.
- H. Boil long enough to loosen or dissolve all varnish or carbon deposits, approximately 30 minutes.
- I. Turn the unit off and lift out the elements to drain position.
- J. If necessary, clean the thermostat bulbs using a long-handled fiber or plastic brush and mild soap solution.
- K. Rinse with clean water to remove all cleaning mixture.
- L. Lift out the fry tank and drain. Repeat steps J & K with fry tank.
- M. Rinse the inside of the tank with 2 cups of vinegar.
- N. Rinse with clean water until the vinegar odor is gone. The fry tank must be thoroughly rinsed, since even a trace of cleaner left inside the tank will ruin frying compound.
- O. Dry thoroughly. Replace the tank and lower the elements.

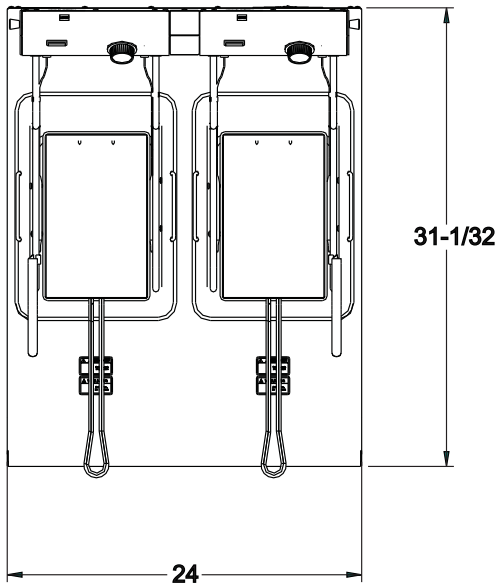
- P. Shut the unit off and cover tank until ready for further use.
- Q. Thin films of oil subjected to frying temperatures quickly form into a gummy consistency. In order to avoid these gum formations, keep all other surfaces of the unit clean by polishing stainless steel surfaces with a damp cloth. To remove discolorations or oil film, a non-abrasive cleaner may be used.



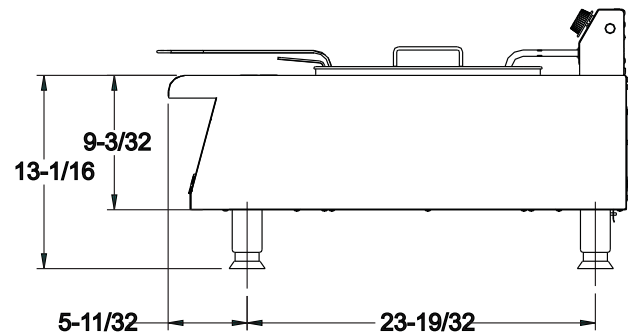
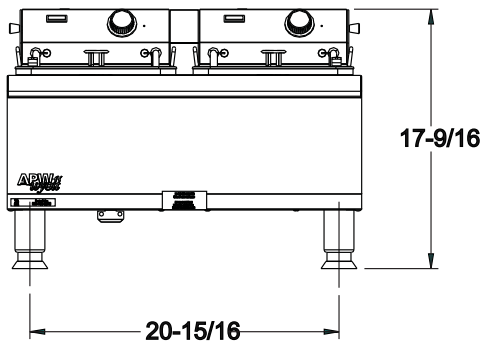


CAUTION: Use only non-abrasive cleaners. Abrasive cleaners could scratch the finish of your unit, marring it's appearance and making it susceptible to dirt accumulation. Do Not use steel wool, other cleaners/sanitizers containing chlorine, iodine, ammonia or bromine abrasive cleaners or chemicals as these will deteriorate the stainless steel and glass material and shorten the life of the unit.

9. SPECIFICATIONS



	Dimensions			Electrical Info.		
	Width	Depth	Height	Watts	Volts	Amps
HEF-15S	12	31.4	17.5	5700	208	27.4
	12	31.4	17.5	5700	230	24.8
	12	31.4	17.5	5700	240	23.8
HEF-30T	24	31.4	17.5	11400	208	54.8
	24	31.4	17.5	11400	230	49.6
	24	31.4	17.5	11400	240	47.5

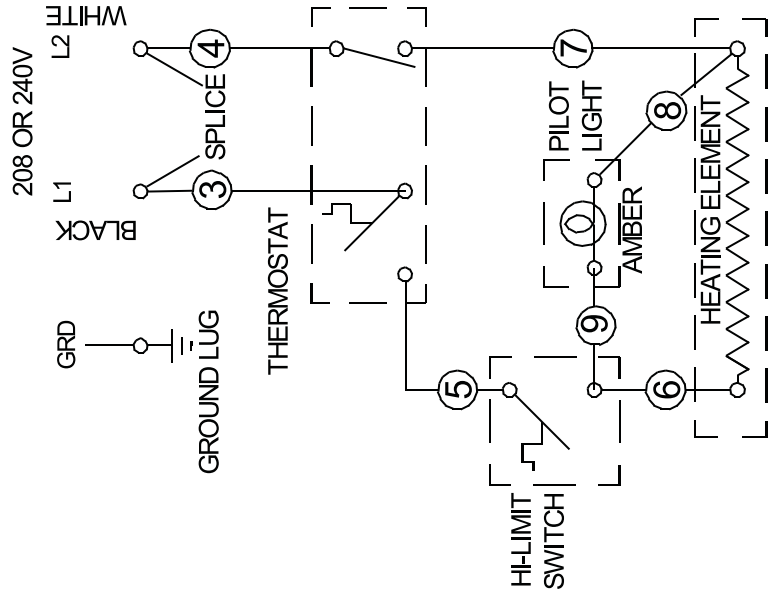


10. WIRING DIAGRAMS

CHECK DATA PLATE & CONNECT TO 208 OR 240V AS INDICATED.

MODEL #	VOLTS	WATTS	AMPS	WIRE	VOLTS	WATTS	AMPS	WIRE
EF15-N	240	5700	23.8	12	208	4280	20.6	12
EF15-N-208	-	-	-	-	208	5700	27.5	10

Wire sizes listed above are for reference only. Check local codes or the National Electrical Code for sizes to be used.

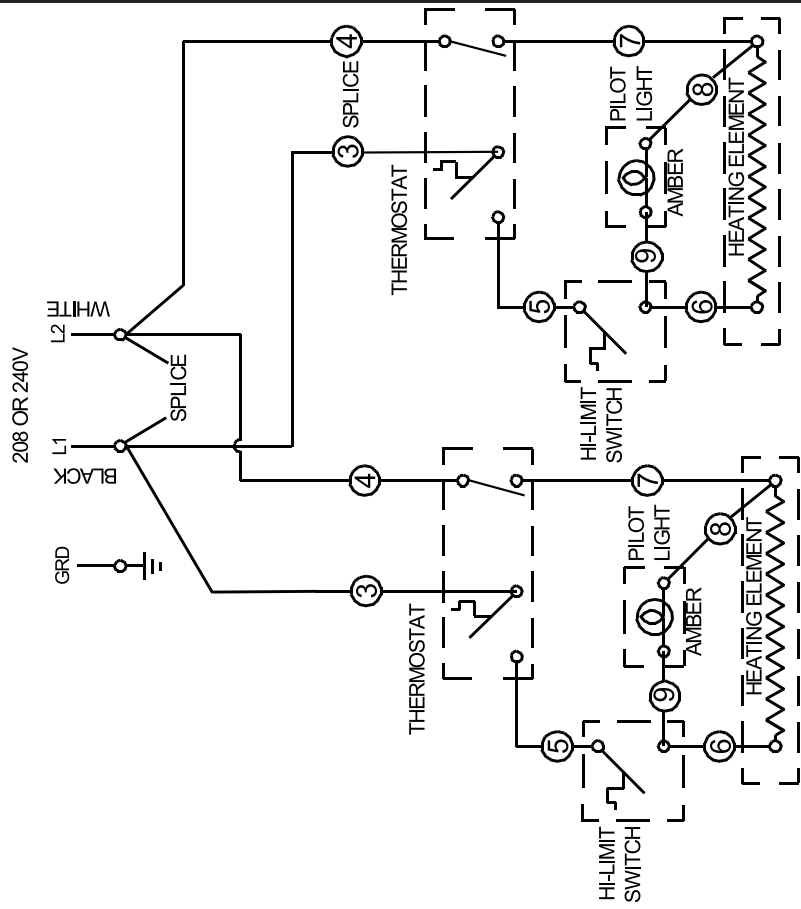


! THIS UNIT TO BE CONNECTED TO 1Ø ONLY **!**

CHECK DATA PLATE & CONNECT TO 208 OR 240V AS INDICATED.

MODEL #	VOLTS	WATTS	AMPS	WIRE	VOLTS	WATTS	AMPS	WIRE
EF30-NT	240	11400	47.6	6	208	8560	41.2	6

Wire sizes listed above are for reference only. Check local codes or the National Electrical Code for sizes to be used.

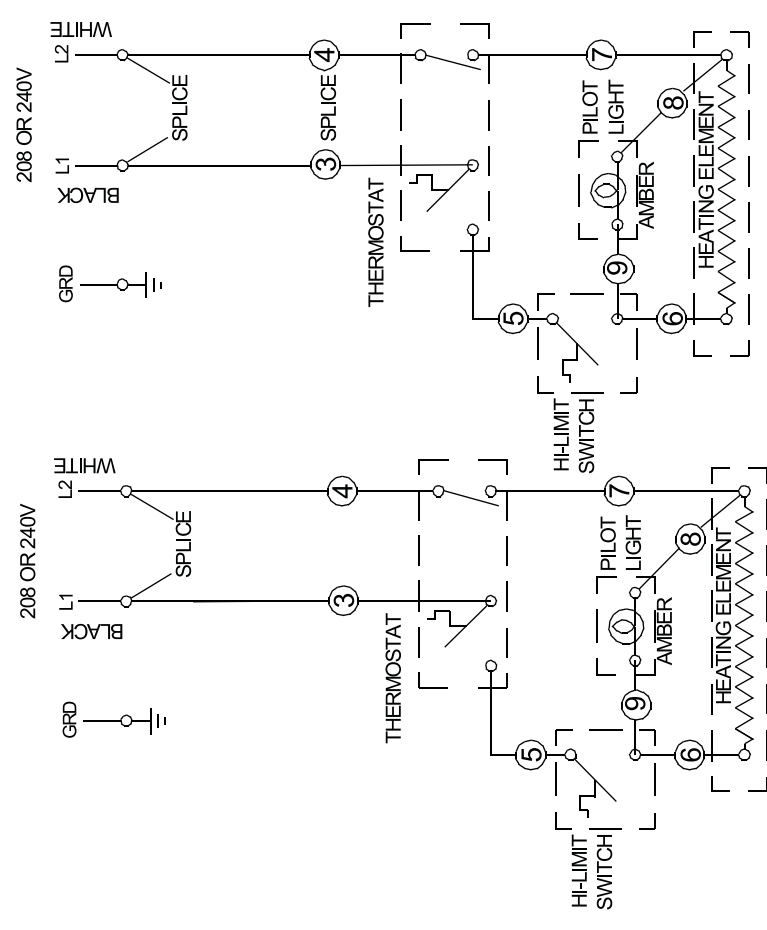


! THIS UNIT TO BE CONNECTED TO 1Ø ONLY **!**

CHECK DATA PLATE & CONNECT TO 208 OR 240V AS INDICATED.

MODEL #	VOLTS	WATTS	AMPS	WIRE	VOLTS	WATTS	AMPS	WIRE
EF30-NT	240	11400	23.8 & 23.8	12	208	8560	20.6 & 20.6	12

Wire sizes listed above are for reference only. Check local codes or the National Electrical Code for sizes to be used.



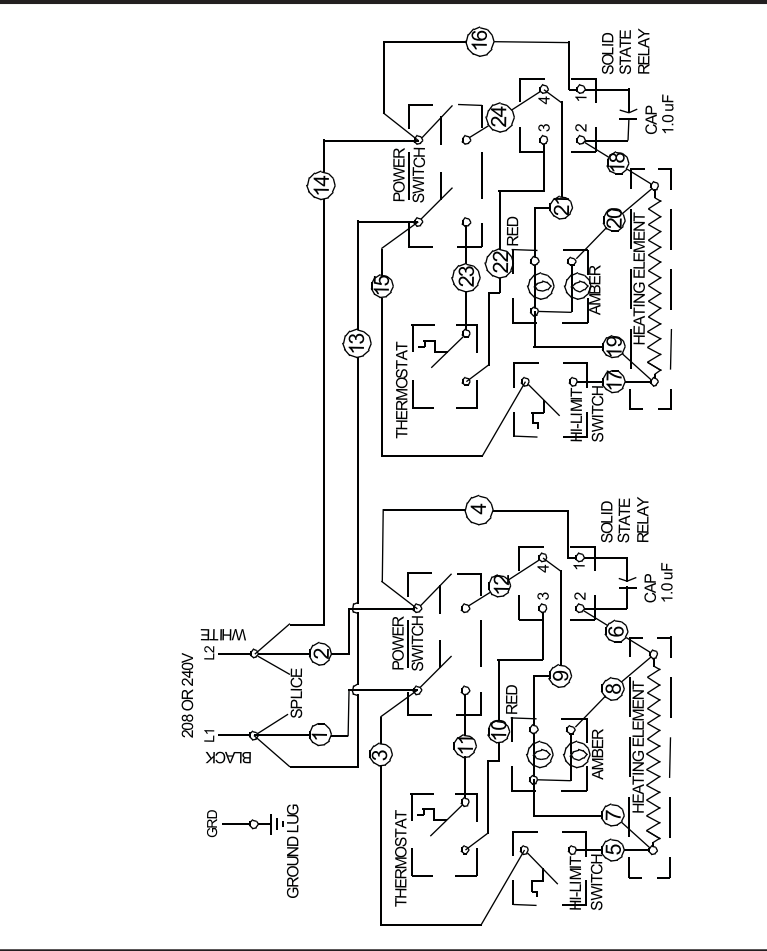
! THIS APPLIANCE HAS MORE THAN ONE POWER SUPPLY CONNECTION POINT. DISCONNECT ALL POWER SUPPLIES BEFORE SERVICING. **!**

! THIS UNIT TO BE CONNECTED TO 1Ø ONLY **!**

CHECK DATA PLATE & CONNECT TO 208 OR 240V AS INDICATED.

MODEL #	VOLTS	WATTS	AMPS	WIRE	VOLTS	WATTS	AMPS	WIRE
EF30-NT	240	11400	47.6	6	208	8560	41.2	6

Wire sizes listed above are for reference only. Check local codes or the National Electrical Code for sizes to be used.



! THIS UNIT TO BE CONNECTED TO 1Ø ONLY **!**

11. TROUBLESHOOTING GUIDE

Possible Cause

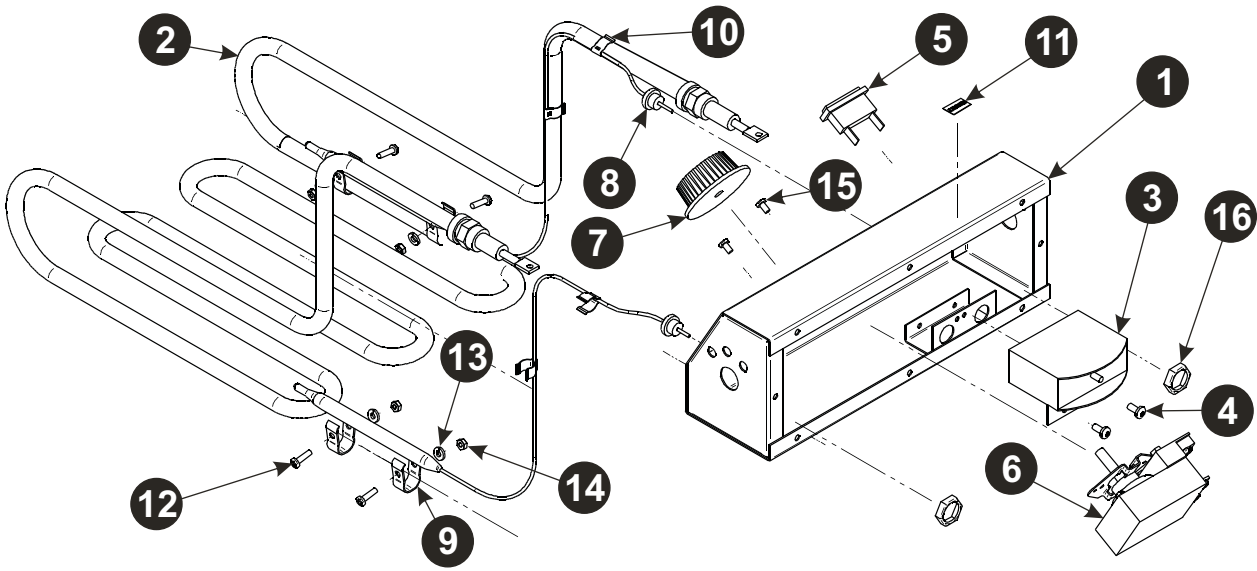
Problem	Frying temperature too high/overheating. (Check thermostat)	Frying temperature too low. (Check thermostat)	Overloading the fry tank.	Improper draining of food after frying.	High moisture content in food being fried.	Inadequate frying compound turnover.	Improper preparation of food.	Contamination of frying compound. (Due to salt or other foreign material)	Frying in foam.	Food being fried may be of poor quality.	Drip-back from exhaust stack.	Poor quality of frying compound (Either initially or after excessive use)	Cooking time too short.	Inadequate filtering of frying compound	Excessive crumbs in fry tank	Keeping food in frying compound after cooking.	Inadequate cleaning of fry tank.
Excessive and premature foaming.	X		X			X		X				X		X			X
Greasy food/excessive frying compound absorption.		X	X	X	X	X	X		X			X		X	X	X	
“Objectionable” odor or flavor of frying compound.					X	X		X		X	X	X	X	X	X	X	
“Objectionable” flavor of fried food.				X		X				X	X	X	X	X	X		
Excessive smoking of frying compound.	X					X	X	X				X		X			X
Excessive darkening of frying compound.	X					X	X	X				X		X			X
Frying compound won't hold heat.		X	X		X		X										
Food crust color not brown.		X	X		X		X		X				X				
Rapid breakdown of frying compound.	X				X		X	X	X			X		X			X

12. SUGGESTED TEMPERATURES & TIMES

FOOD	CONTROL SETTING (FAHRENHEIT)	TIME IN MINUTES	FOOD	CONTROL SETTING (FAHRENHEIT)	TIME IN MINUTES
<u>DOUGHNUTS</u>			<u>SEAFOOD</u>		
Cake Type	375°	1 ½ - 2	Fish Cakes	350°	2 - 3
Yeast Raised	375°	2 - 2 ½	Clams	350°	1 - 3
<u>MEAT</u>			<u>VEGETABLES</u>		
Cutlets (Less than 1/2" thick)	350°	5 - 8	Egg Plant	350°	5 - 7
Chicken Fried Steak	350°	5 - 8	Onion Rings	350°	3 - 5
Chops (Very lean)	350°	5 - 8	Potatoes		
<u>MISCELLANEOUS</u>			(1/2" Strips, one-operation)	350°	6 - 9
Chinese Noodles	375°	1 - 2	Potatoes (Blanch)	350°	4 - 6
Croquettes	350°	2 - 3	Potatoes (Brown)	350°	2 - 3
French Toast	350°	2 - 3	Potatoes (Julienne)	350°	3 - 5
Glazed Cinnamon Apples	300°	5 - 10			
French Fried Sandwiches	350°	1 - 2			
<u>POULTRY</u>					
Chicken (Large pieces)	325°	10 - 15			
Chicken (Small pieces)	350°	7 - 10			
Chicken (Pre-cooked)	325°-350°	3 - 5			
Turkey (Small pieces)	325°	9 - 10			

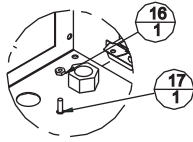
13. REPLACEMENT PARTS

CONTROL HEAD (Models: HEF-15S & HEF-30T)

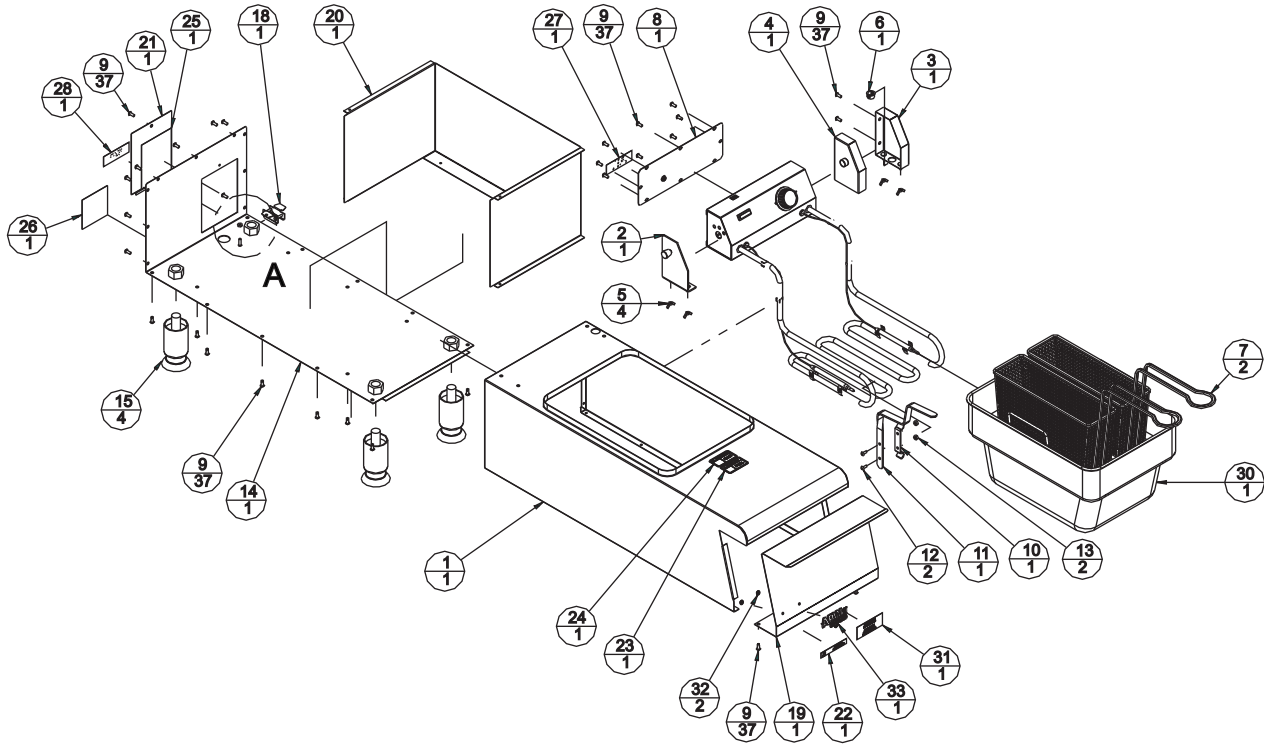


Item	P/N	Description	Quan	Item	P/N	Description	Quan
1	218100-95	Control Head, Elec. Fryer W/A	1	9	64285901	Clamp Bulb	4
2	1439729	Heating Unit Assembly	1	10	8944100	Clip Lead	4
3	13801-00	Switch, Hi-limit	1	11	8837018	Label Reset	1
4	81300-00	8-32 X 3/8 Type T	2	12	8108300	Screw, Pan Head 6-32 X 1/2	4
5	1515300	Ind Light, rect, amb, 250v, 2/tabs	1	13	8500600	Washer, Lock #6 S/S	4
6	14876-00	Thermostat	1	14	8402900	Nut, Hex, 6-32 S/S	4
7	8705504	Knob, Thermostat	1	15	8103400	Screw, Mach, 6-32 X 1/4" Lg.	2
8	2125502	Grommet Split	2	16	8455700	Nut, PAL 5/8-18	2

HEF-15S

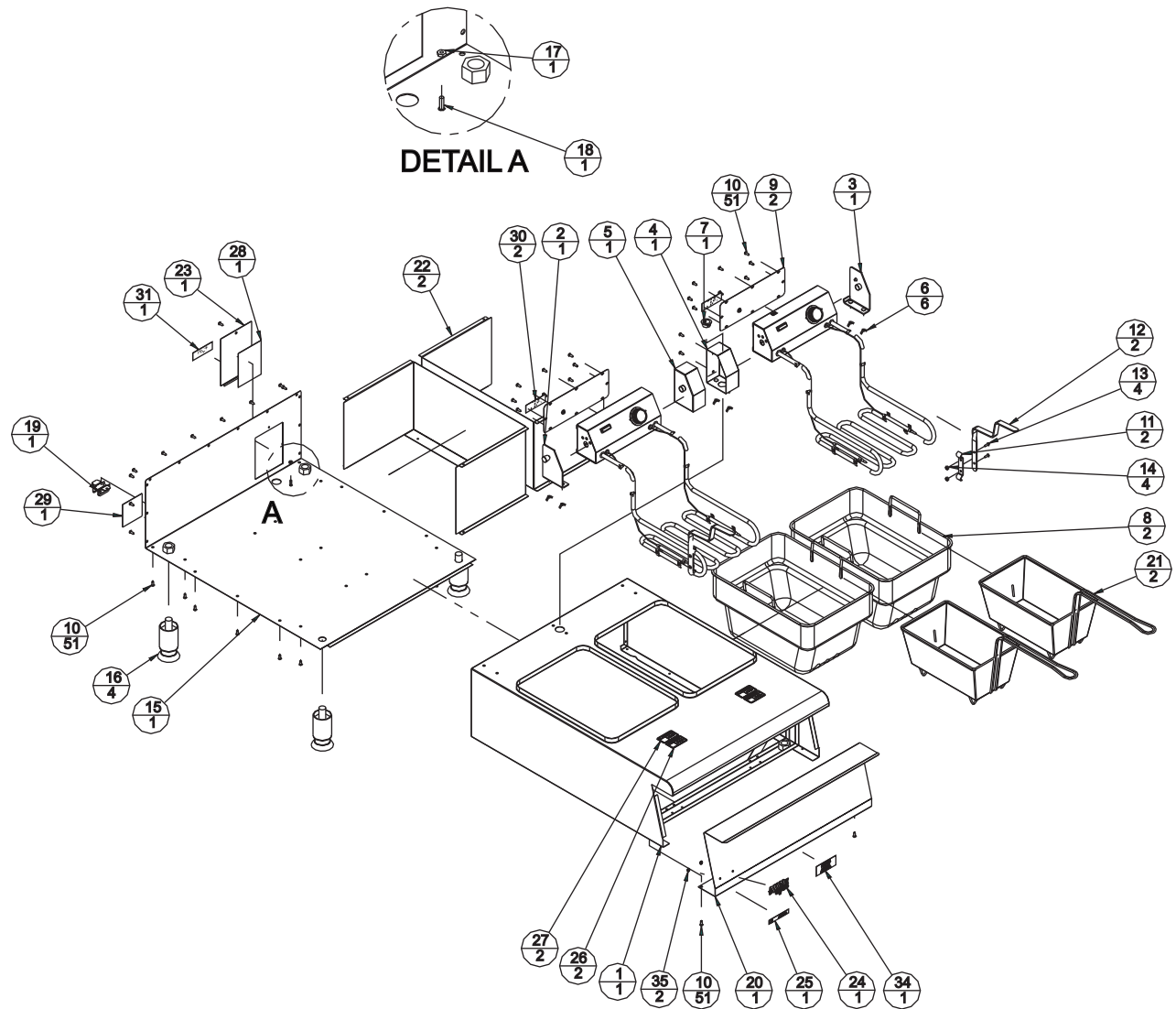


DETAIL A



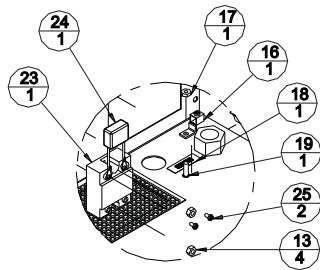
Item	P/N	Description	Quan	Item	P/N	Description	Quan
1	21828025	BODY, FRYER HD	1	18	5161000	CONNECTOR CABLE ROMEX	1
2	21810065	"SUPPORT, HEAD WELD ASSEMBLY LS"	1	19	21828018	PANEL, FRONT HEF-15	1
3	21810075	"HEAD SUPPORT OUTSIDE WELD ASSY"	1	20	21828038	BAFFLE, INTERIOR	1
4	21810085	HEAD SUPPORT INSIDE	1	21	21810040	DOOR ELECTRIC FRYER	1
5	8415500	WING NUT 10-32 S/S	4	22	8832600	LABEL, SERVICE HOTLINE	1
6	89670-00	"BUSHING, SNAP HEYCO .5" I.D."	1	23	43813103	LABEL, WRNG, HOT SURFC	1
7	3101230	BASKET, ½ SIZE	2	24	43813149	"LABEL, WRN HOT SURF (FRNCH)"	1
8	21810096	COVER HEAD	1	25	21810018	LABEL, DIAGRAM	1
9	8170700	SCREW, 10-32x1/2, TYPE AB	37	26	8861000	LABEL, SPEC	1
10	21810023	BRACKET HANDLE	1	27	8824200	LABEL, BUTTON POSITION	1
11	21810022	ELEMENT HANDLE	1	28	64416801	LABEL, 90 DEG C	1
12	8141400	8-32 x ½ MS	2	29	2901051	"CARTON, RSC 39.25X19.87X20.18"	1
13	84104-00	NUT,HEX, 8-32 S/S	2	30	21810010	FAT CONTAINER AY	1
14	21828034	BACK, BOTTOM W/A	1	31	8825300	DECAL, LEG	1
15	8633700	"LEG, HEAVY DUTY 2" DIA. W/ FOOT FLANGE"	4	32	8460900	NUT, PUSH 1/8"	2
16	8422400	#10-24 HX NUT GRN	1	33	2065847	LOGO, APW WYOTT CASTED	1
17	8158800	MS RD HD PH 10-24 X ½	1				

HEF-30T

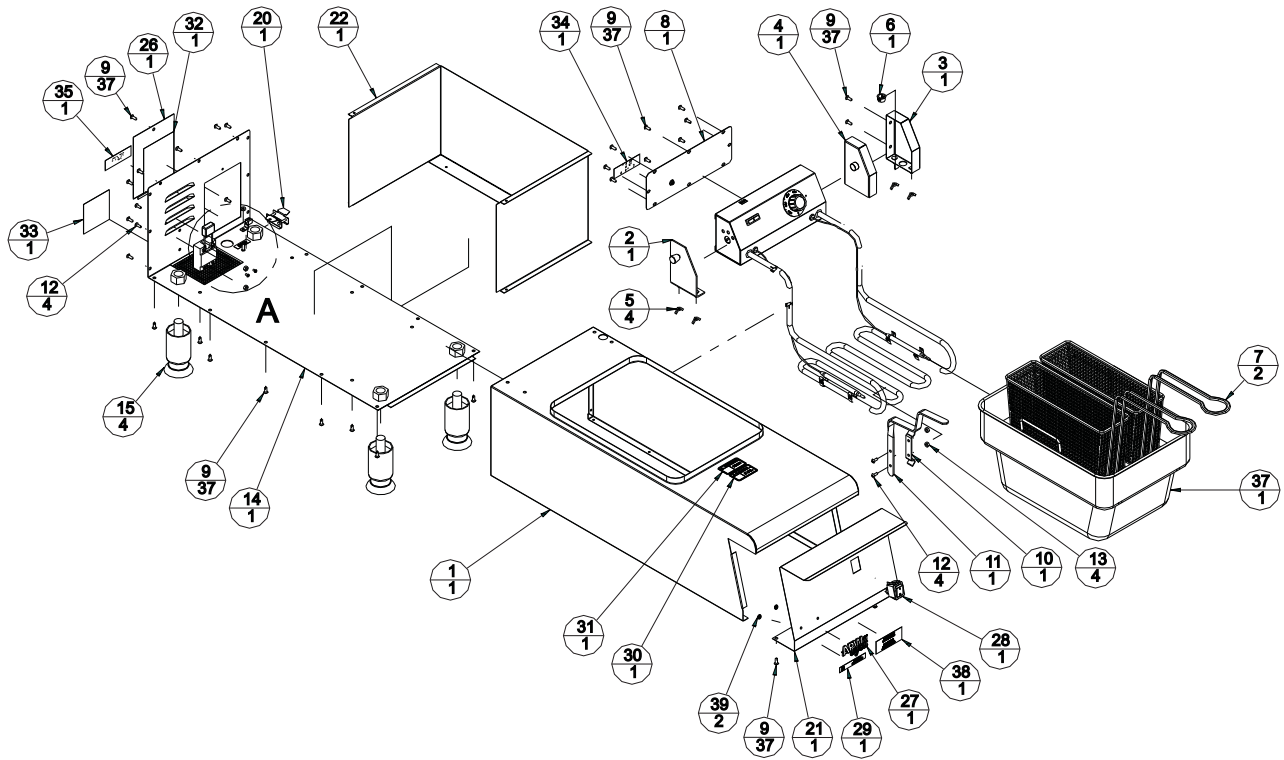


Item	P/N	Description	Quan	Item	P/N	Description	Quan
1	21828226	BODY, W/A	1	19	5161000	CONNECTOR CABLE ROMEX	1
2	21810065	"SUPPORT, HEAD WELD ASSEMBLY LS"	1	20	21828218	PANEL, FRONT EF-30NT HD	1
3	21810265	"SUPPORT, HEAD WELD ASSEMBLY RS"	1	21	31012-32	BASKET, FULL SIZE, 30H	2
4	21810275	"HEAD SUPPOR, OUTSIDE ASSY."	1	22	21828038	BAFFLE, INTERIOR	2
5	21810285	"HEAD SUPPORT, INSIDE ASSY."	1	23	21810040	DOOR ELECTRIC FRYER	1
6	8415500	WING NUT 10-32 S/S	6	24	2065847	LOGO, APW WYOTT CASTED	1
7	89785-00	BUSHING, 1" SNAP, HEYCO	1	25	8832600	LABEL, SERVICE HOTLINE	1
8	21810010	FAT CONTAINER AY	2	26	43813103	LABEL, WRNG, HOT SURFC	2
9	21810096	COVER HEAD	2	27	43813149	"LABEL, WRN HOT SURF(FRNCH)"	2
10	8170700	SCREW, 10-32 x 1/2, TYPE AB	51	28	21810218	"LABEL, DIAGRAM EL. TWIN FRYER 208/240V UNITS"	1
11	21810023	BRACKET HANDLE	2	29	8861000	LABEL, SPEC	1
12	21810022	ELEMENT HANDLE	2	30	8824200	LABEL, BUTTON POSITION	2
13	8141400	8-32 x 1/2 MS	4	31	64416801	LABEL, 90 DEG C	1
14	84104-00	NUT, HEX, 8-32 S/S	4	32	29087-42	SKID, 44 X 32 FOR 42" MERCHANDISER	1
15	21828134	"BACK AND BOTTOM WELDMENT W/O DRAIN"	1	33	29088-42	CARTON, HSC 43.25 X 30.25 X 33.25 275 DW	1
16	8633700	"LEG, HEAVY DUTY 2" DIA. W/FOOT FLANGE"	4	34	8825300	DECAL, LEG	1
17	8422400	#10-24 HX NUT GRN	1	35	8460900	NUT, PUSH 1/8"	2
18	8158800	MS RD HD PH 10-24 X 1/2	1				

HEF-15S (CE)

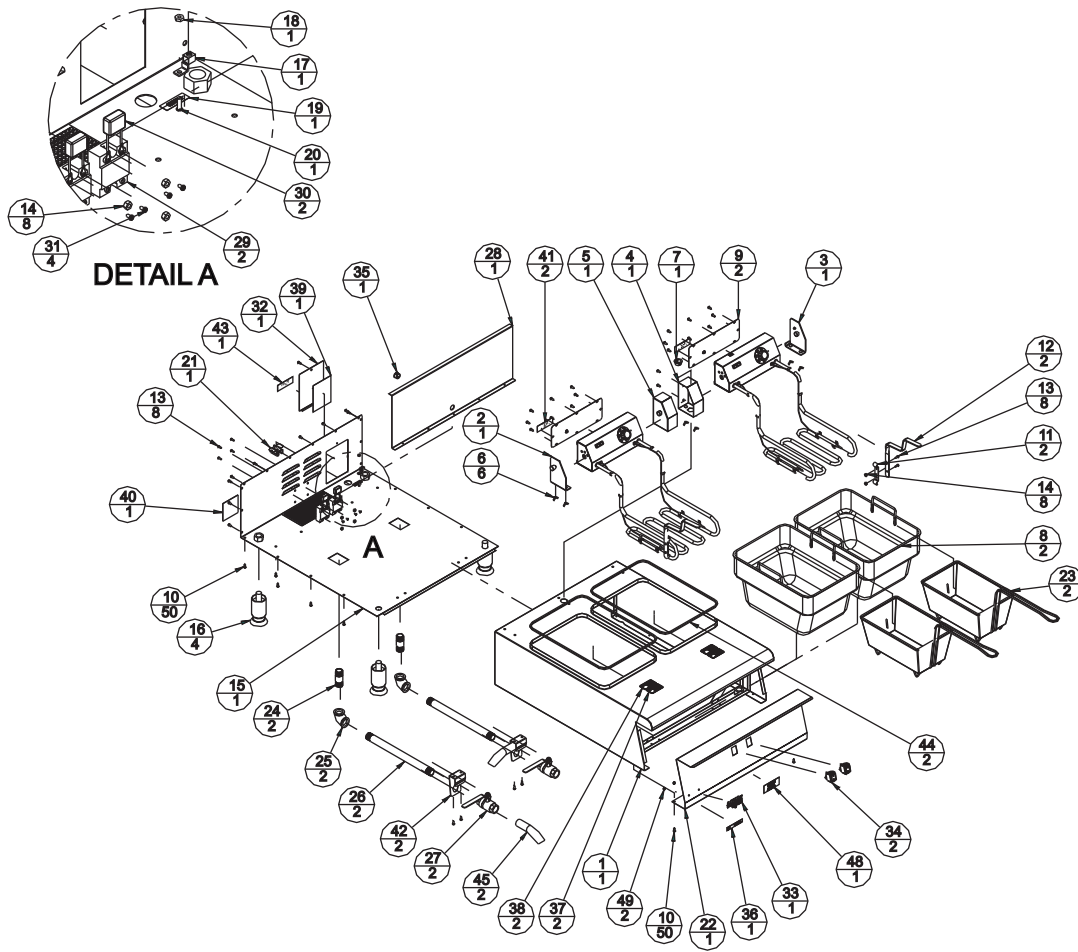


DETAIL A



Item	P/N	Description	Quan	Item	P/N	Description	Quan
1	21828025	BODY, FRYER HD	1	20	5161000	CONNECTOR CABLE ROMEX	1
2	21810065	"SUPPORT, HEAD WELD ASSEMBLY LS"	1	21	21828019	PANEL, FRONT HEF-15	1
3	21810075	"HEAD SUPPORT OUTSIDE WELD ASSY"	1	22	21828038	BAFFLE, INTERIOR	1
4	21810085	HEAD SUPPORT INSIDE	1	23	1302100	RELAY, SOLID STATE	1
5	8415500	WING NUT 10-32 S/S	4	24	21810042	CAPACITOR, ASSY	1
6	89670-00	"BUSHING, SNAP HEYCO .5" I.D."	1	25	8103400	"SCREW, MACH, 6-32 X 1/4" LG."	2
7	3101230	BASKET, 1/2 SIZE	2	26	21810040	DOOR ELECTRIC FRYER	1
8	21810096	COVER HEAD	1	27	2065847	LOGO, APWYOTT CASTED	1
9	8170700	SCREW, 10-32x1/2, TYPE AB	37	28	1305612	SWITCH, ROCKER 20 AMP	1
10	21810023	BRACKET HANDLE	1	29	8832600	LABEL, SERVICE HOTLINE	1
11	21810022	ELEMENT HANDLE	1	30	43813103	LABEL, WRNG, HOT SURFC	1
12	8141400	8-32 x 1/2 MS	4	31	43813149	"LABEL, WRN HOT SURF(FRNCH)"	1
13	84104-00	NUT,HEX, 8-32 S/S	4	32	21810017	"LABEL, DIAGRAM EL. 15LB CE UNITS"	1
14	21828035	BACK, BOTTOM W/A	1	33	8861000	LABEL, SPEC	1
15	8633700	"LEG, HEAVY DUTY 2" DIA. W/ FOOT FLANGE"	4	34	8824200	LABEL, BUTTON POSITION	1
16	11141-00	LUG, SOLDERLESS	1	35	64416801	LABEL, 90 DEG C	1
17	8422400	#10-24 HX NUT GRN	1	36	2901051	"CARTON, RSC39.25X19.87X20.18"	1
18	88370-01	LABEL, GROUND MARKER	1	37	21810010	FAT CONTAINER AY	1
19	8158800	MS RD HD PH 10-24 X 1/2	1	38	8825300	DECAL, LEG	1
				39	8460900	NUT, PUSH 1/8"	2

HEF-30T (CE w/DRAIN)



Item	P/N	Description	Quan	Item	P/N	Description	Quan
1	21828226	BODY, W/A	1	27	2099900	VALVE, BALL, Ø3/4	2
2	21810065	SUPPORT, HEAD WELD ASSEMBLY LS	1	28	21828238	BAFFLE, INTERIOR EF-30NT HD	1
3	21810265	SUPPORT, HEAD WELD ASSEMBLY RS	1	29	1302100	RELAY, SOLID STATE	2
4	21810275	HEAD SUPPOR, OUTSIDE ASSY.	1	30	21810042	CAPACITOR, ASSY	2
5	21810285	HEAD SUPPORT, INSIDE ASSY.	1	31	8103400	SCREW, MACH, 6-32 X 1/4" LG.	4
6	8415500	WING NUT 10-32 S/S	6	32	21810040	DOOR ELECTRIC FRYER	1
7	89785-00	BUSHING, 1" SNAP, HEYCO	1	33	2065847	LOGO, APWWYOTT CASTED	1
8	21828210		2	34	1305612	SWITCH, ROCKER 20 AMP	2
9	21810096	COVER HEAD	2	35	89673-00	BUSHING, 3/4 SNAP	1
10	8170700	SCREW, 10-32x1/2, TYPE AB	50	36	8832600	LABEL, SERVICE HOTLINE	1
11	21810023	BRACKET HANDLE	2	37	43813103	LABEL, WRNG, HOT SURFC	2
12	21810022	ELEMENT HANDLE	2	38	43813149	LABEL, WRN HOT SURF (FRNCH)	2
13	8141400	8-32 x 1/2 MS	8	39	21810216	"LABEL, DIAGRAM EL. TWINFRYER CE UNITS"	1
14	84104-00	NUT,HEX, 8-32 S/S	8	40	8861000	LABEL, SPEC	1
15	21828235	BACK AND BOTTOM WELDMENT	1	41	8824200	LABEL, BUTTON POSITION	2
16	8633700	LEG, HEAVY DUTY 2" DIA. W/ FOOT FLANGE	4	42	21828215	DRAIN SUPPORT	2
17	11141-00	LUG, SOLDERLESS	1	43	64416801	LABEL, 90 DEG C	1
18	8422400	#10-24 HX NUT GRN	1	44	21828211	GASKET, GREASE PAN	2
19	88370-01	LABEL, GROUND MARKER	1	45	217730-04	DRAIN TUBE	2
20	8158800	MS RD HD PH 10-24 X 1/2	1	46	29087-42	"SKID, 44 X 32 FOR 42""MERCHANDISER"	1
21	5161000	CONNECTOR CABLE ROMEX	1	47	29088-42	"CARTON, HSC 43.25 X30.25 X 33.25 275 DW"	1
22	21828219	PANEL, FRONT EF-30NT HD	1	48	8825300	DECAL, LEG	1
23	31012-32	BASKET, FULL SIZE, 30H	2	49	8460900	NUT, PUSH 1/8"	2
24	2092627	NIPPLE, 3/4 SCH. 40 X 2"	2				
25	2092611	ELBOW, 3/4 BLACK PIPE	2				
26	2092628	PIPE, 3/4 SCH. 40	2				

14. APW WYOTT EQUIPMENT LIMITED WARRANTY

APW Wyott Food service Equipment Company warrants its equipment against defects in materials and workmanship, subject to the following conditions:

This warranty applies to the original owner only and is not assignable.

Should any product fail to function in its intended manner under normal use within the limits defined in this warranty, at the option of APW Wyott such product will be repaired or replaced by APW Wyott or its Authorized Service Agency. APW Wyott will only be responsible for charges incurred or service performed by its Authorized Service Agencies. The use of other than APW Wyott Authorized Service Agencies will void this warranty and APW Wyott will not be responsible for such work or any charges associated with same. The closest APW Wyott Authorized Service Agent must be used.

This warranty covers products shipped into the 48 contiguous United States, Hawaii, metropolitan areas of Alaska and Canada. There will be no labor coverage for equipment located on any island not connected by roadway to the mainland.

Warranty coverage on products used outside the 48 contiguous United States, Hawaii, and metropolitan areas of Alaska and Canada may vary. Contact the international APW Wyott distributor, dealer, or service agency for details.

Time Period

One year for parts and one year for labor, effective from the date of purchase by the original owner. The Authorized Service Agency may, at their option, require proof of purchase. Parts replaced under this warranty are warranted for the un-expired portion of the original product warranty only.

Exceptions

- ***Gas/Electric Cookline:** Models HCB, HCRB, HMG, HTG, HHP, HHPS, GCB, GCRB, GF, GGM, GGT, CHP-H, EF, EG, EHP. Three (3) Year Warranty on all component parts, except switches and thermostats. (2 additional years on parts only. No labor on second or third year.)
- ***Broiler Briquettes, Rock Grates, Cooking Grates, Burner Shields, Fireboxes:** 90 Day Material Only. No Labor.
- ***Heat Strips:** Models FD, FDL, FDD, FDDL. Two (2) Year Warranty on element only. No labor second year.
- ***Glass Windows, Doors, Seals, Rubber Seals, Light Bulbs:** 90 Day Material Only. No Labor.

In all cases, parts covered by extended warranty will be shipped FOB the factory after the first year.

Portable Carry In Products

Equipment weighing over 70 pounds or permanently installed will be serviced on-site as per the terms of this warranty. Equipment weighing 70 pounds or under, and which is not permanently installed, i.e. with cord and plug, is considered portable and is subject to the following warranty handling limitations. If portable equipment fails to operate in its intended manner on the first day of connection, or use, at APW Wyott's option or its Authorized Service Agency, it will be serviced on site or replaced.

From day two through the conclusion of this warranty period, portable units must be taken to or sent prepaid to the APW Wyott Authorized Service Agency for in-warranty repairs. No mileage or travel charges are allowed on portable units after the first day of use. If the customer wants on-site service, they may receive same by paying the travel and mileage charges. Exceptions to this rule: (1) countertop warmers and cookers, which are covered under the Enhanced Warranty Program, and (2) toasters or rollergrills which have in store service.

Exclusions

The following conditions are not covered by warranty:

- *Equipment failure relating to improper installation, improper utility connection or supply and problems due to ventilation.
- *Equipment that has not been properly maintained, calibration of controls, adjustments, damage from improper cleaning and water damage to controls.
- *Equipment that has not been used in an appropriate manner, or has been subject to misuse or misapplication, neglect, abuse, accident, alteration, negligence, damage during transit, delivery or installation, fire, flood, riot or act of god.
- *Equipment that has the model number or serial number removed or altered.

If the equipment has been changed, altered, modified or repaired by other than an Authorized Service Agency during or after the warranty period, then the manufacturer shall not be liable for any damages to any person or to any property, which may result from the use of the equipment thereafter.

This warranty does not cover services performed at overtime or premium labor rates. Should service be required at times which normally involve overtime or premium labor rates, the owner shall be charged for the difference between normal service rates and such premium rates. APW Wyott does not assume any liability for extended delays in replacing or repairing any items beyond its control.

In all cases, the use of other than APW Wyott Authorized OEM Replacement Parts will void this warranty.

This equipment is intended for commercial use only. Warranty is void if equipment is installed in other than commercial application.

Water Quality Requirements

Water supply intended for a unit that has in excess of 3.0 grains of hardness per gallon (GPG) must be treated or softened before being used. Water containing over 3.0 GPG will decrease the efficiency and reduce the operation life of the unit.

Note: Product failure caused by liming or sediment buildup is not covered under warranty.

"THE FOREGOING WARRANTY IS IN LIEU OF ANY AND ALL OTHER WARRANTIES EXPRESSED OR IMPLIED INCLUDING ANY IMPLIED WARRANTY OF MERCHANTABILITY OR FITNESS FOR PARTICULAR PURPOSES AND CONSTITUTES THE ENTIRE LIABILITY OF APW WYOTT. IN NO EVENT DOES THE LIMITED WARRANTY EXTEND BEYOND THE TERMS STATED HEREIN."

9/05