

PRODUCT:

QUANTITY:

ITEM

Model:  CHDT-2  CHDT-3  CHDT-4  CHDT-5  CHDT-6

## Designed Smart

### Bid Specification

The APW Wyott Cold/Hot Dual Temperature Wells combines the sophistication of electrically heating, with the technology to turn into a contained refrigerated cold pan. With one flip of the switch, the CHDT goes from hot to cold!

The CHDT system contains automatic water fill, high limited thermostat protector; NSF-4 electric required standard immersion heating system; flexible 24" conduit for optional counter mounting which connects to stainless steel control panel; and the ability for installation into metal or wooden counters. The CHDT is available in 5 different models (HFDW-2 thru 6), which allows the choice of holding 2 up to 6 standard pans. CHDT heavy-duty stainless steel's allows for superior durability and ultimate strength. It's built solid to last.

APW Wyott's CHDT systems Inc. LISTED, Underwriters Laboratories\*, meets NSF International\* and Canadian standard.\*

### Reliability backed by APW Wyott's Warranty

•APW Wyott's Food Wells are backed by 1 year parts and labor warranty

*\*CHDT Certification Pending*



**Cold Hot Dual Temperature Wells MODEL CHDT-4**

## APW Wyott Design Features

- Quick and hassle free entry for function controls and temperature gauges
- Quicker refrigeration (larger compressors), and heating (immediately shifts heat by water)
- Handles products at selected temperature (cold or hot)
- Features spacious one inch drainage system, and screen
- Heating feature has to be used in wet operation.

## Options

- 2 to 6 Standard Inset Pans
- Installation in Metal or Wooden Counter

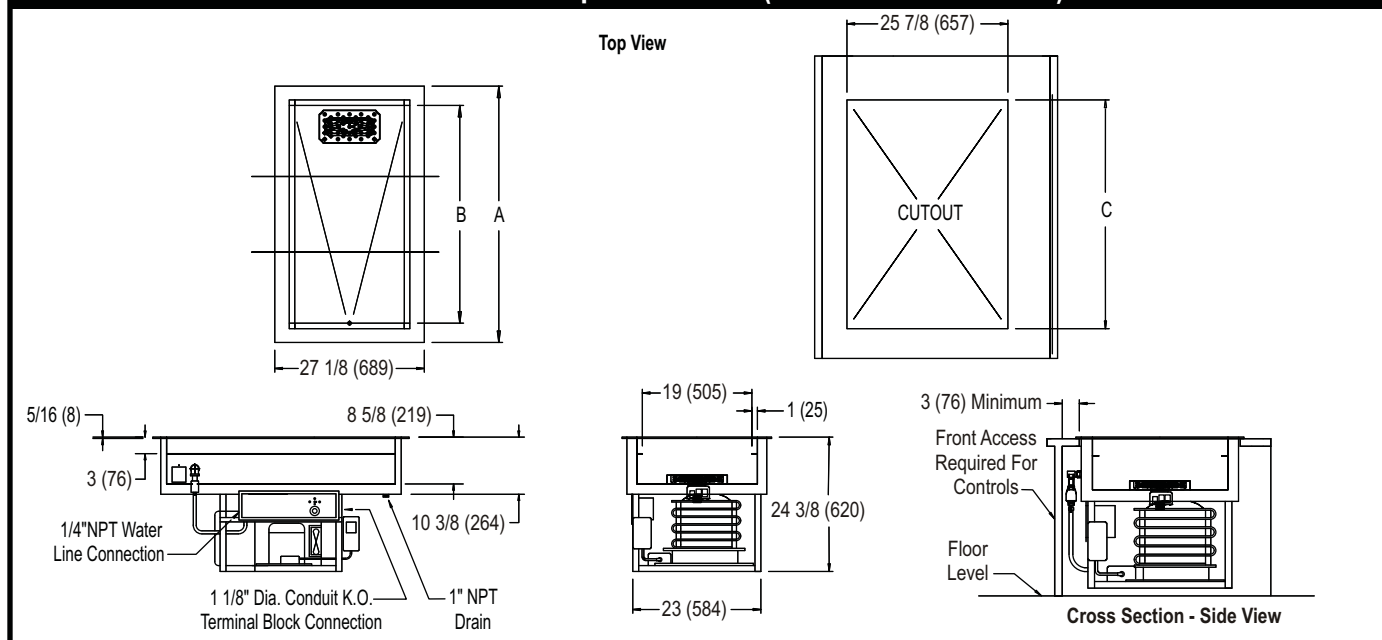
*See reverse side for product specifications.*

PRODUCT:

QUANTITY:

ITEM #:

### Cold Hot Dual Temperature Well (Model CHDT-3 Shown)



#### DIMENSIONS

MODEL	A		B		C (CUTOUT)	
	INCHES	MM	INCHES	MM	INCHES	MM
CHDT-2	32 3/4	832	25 1/2	648	31 1/2	800
CHDT-3	46 1/2	1181	39 1/4	997	45 1/4	1149
CHDT-4	60 1/4	1530	53	1346	59	1499
CHDT-5	74	1880	66 3/4	1695	72 3/4	1848
CHDT-6	87 3/4	2229	80 1/2	2045	86 1/2	2197

#### CLEARANCES

MINIMUM CLEARANCE REQUIRED FROM UNIT TO THE NEAREST SURFACE			
BACK	SIDE	BOTTOM	FRONT
0" (0 mm)	0" (0 mm)	N/A	3" (76 mm)

#### ELECTRICAL

MODEL	WARMER				REFRIGERATION				REFRIGERANT TYPE	SINGLE PHASE SUPPLY 3 WIRE 120/208-240V L1-L2 208-240V L2-N 120VAC 60 HZ	
	VOLTS	KW	AMPS (1 PHASE)		VOLTS	HP	AMPS (1 PHASE)				
			L1 - L2	N			L2 - N	L1			
CHDT-2	208	1.9	9.0	N.A.	120	1/4	5.5	N/A	R-134-A		
	240	2.5	10.4	N.A.							
CHDT-3	208	3.0	14.4	N.A.	120	1/3	7.0	N/A		R-404-A	
	240	4.0	16.7	N.A.							
CHDT-4	208	3.8	18.1	N.A.	120	1/2	7.5	N/A			R-404-A
	240	5.0	20.8	N.A.							
CHDT-5	208	6.0	28.9	N.A.	120	3/4	15.3	N/A	R-404-A		
	240	8.0	33.3	N.A.							
CHDT-6	208	6.0	28.9	N.A.	120	3/4	15.3	N/A		R-404-A	
	240	8.0	33.3	N.A.							

\*APW Wyott reserves the right to modify specifications or discontinue models without incurring obligation.