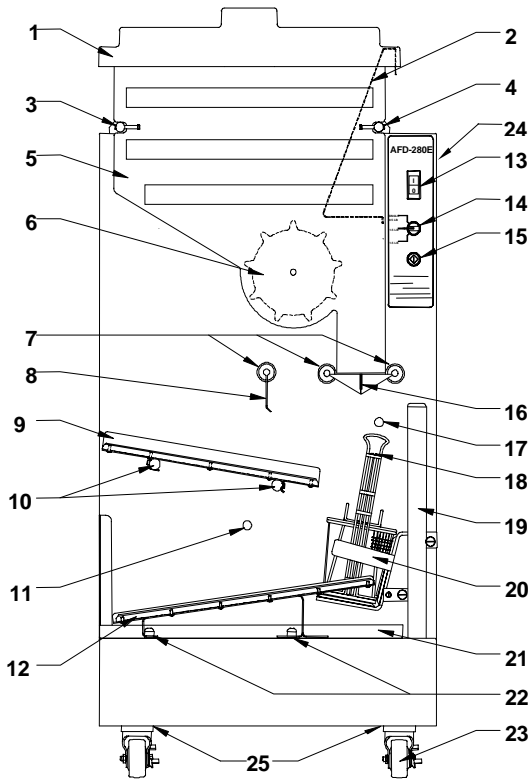
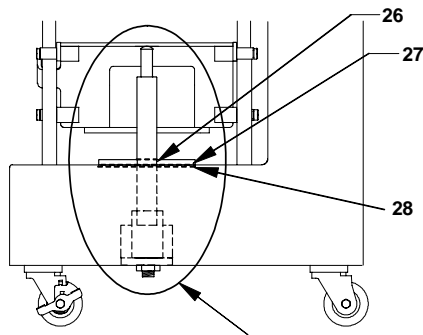


**PARTS IDENTIFICATION  
FRONT VIEW**



Item	Description	Part No.	Qty
1	Hopper Lid	202364	1
2	Diverter	219129	1
3	Hopper Support Bar, Left	202884	1
4	Hopper Support Bar, Right	202885	1
5	Hopper	202368	1
6	Dispenser Drum	202366	1
7	Shaft Collar	203240	1
7	Shaft Collars	203256	3
8	Stopgate Shaft	290384	1
9	Upper Guide (complete)	202219	1
9	Guide Slides	202359	2
9	Guide Slide Screws	290000	10
10	Support Bars (Upper Guide)	202218	2
10	Fillister Screw	202044	2
11	Basket Sensor (Lower Guide)	202038	1
11	Sensor Window Kit (Includes two windows)	202619	1
12	Lower Guide (complete)	202779	1
12	Guide Slides	220494	2
12	Guide Slide Screws	290000	12
13	Power Switch	202381	1
14	Selector Switch	215607	1
15	Start/Reset Switch	215606	1
15	Start/Reset Lamp	216489	1
15	Lens only	290771	1
16	Accumulator Doors Left	203254	1
16	Right	203253	1
17	Basket Sensor (Basket Lift)	202038	1
17	Sensor Window Kit (Includes two windows)	202619	1
18	Basket	216258	10
19	Lift Guide Post	220456	2
20	Lift Saddle Assembly	202782	1
20	Roller	217810	1
20	Shoulder Screw	202064	4
20	Saddle Skid	202762	2
20	Splash Shield	220473	4
21	Drip Pan	202780	1
22	Locator Pins (Lower Guide and Drip Pan)	290687	2
22	Nut only	290394	
23	Front Caster with Brake	216596	2
24	Safety Label Set (side of cabinet)	202986	1
25	Caster Mounting Screw (quantity is per caster)	202530	4
26*	O-Ring	290152	1
27	Lift Cover	290432	1
28*	Lift Cover Gasket	292166	1

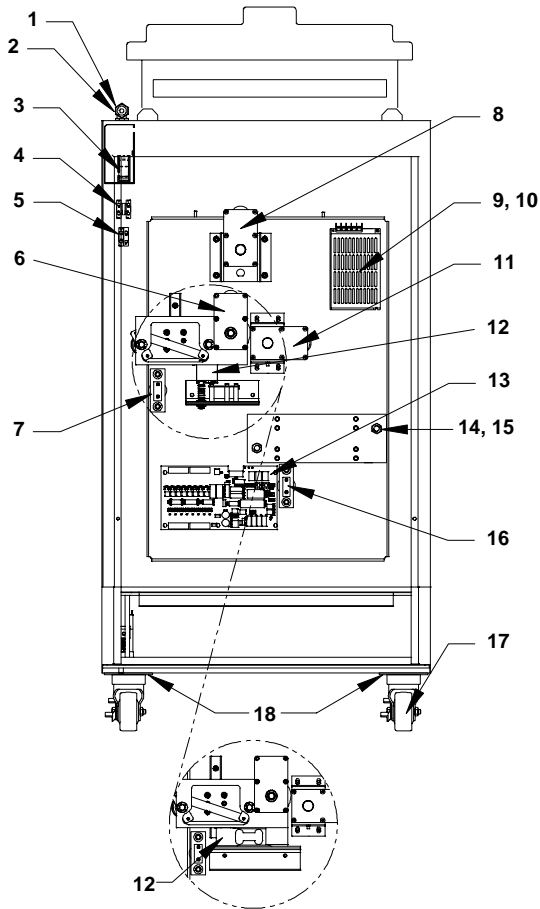
**LOWER SIDE VIEW**



**BASKET LIFT ASSEMBLY**  
See pages 37 & 38

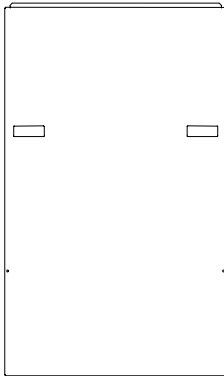
\*Items 26 & 28 are available as a kit: Part number 292463  
(See page 5)

**REAR VIEW**




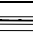


Item	Description	Part Number	Qty
1	Power Cord Inlet Domestic Power Cord European Power Cord Australian Power Cord	202172 202790 202354	1
2	Cord Relief Elbow Washer Nut	216692 202586 213942	1 1 1
3	On/Off Switch	202381	1
4	Selector Switch	215607	1
5	Start/Reset Switch Start/Reset Lamp Button assembly, including lens	215606 216489 290771	1 1 1
6	Accumulator Motor	290641	1
7	Basket Sensor (Basket Lift) Sensor Window Kit (Includes two windows)	202038 202619	1 1
8	Drum Motor	292546	1
9	Power Supply Fuse	291294	1
10	Power Supply	202793	1
11	Stopgate Motor	290691	1
12	Load Cell [ <b>Weight Sensor Assembly (NCWS)</b> ] Refer to page 10 for details	290685 [290724]	1 1
13	Controller Board Software E-PROM [ <b>Software E-PROM(NCWS)</b> ] Plus Controller Board Software E-PROM [ <b>Software E-PROM(NCWS)</b> ]	290322 290122 [290717] 290626 290790 [290778]	1 1 1 1 1
14	Bolt	202174	
15	Washer	213264	
16	Basket Sensor (Lower Guide) Sensor Window Kit (Includes two windows)	202038 202619	1 1
17	Rear Caster	216595	1
18	Caster Mounting Screw (quantity is per caster)	202530	4

**Rear Access Door**

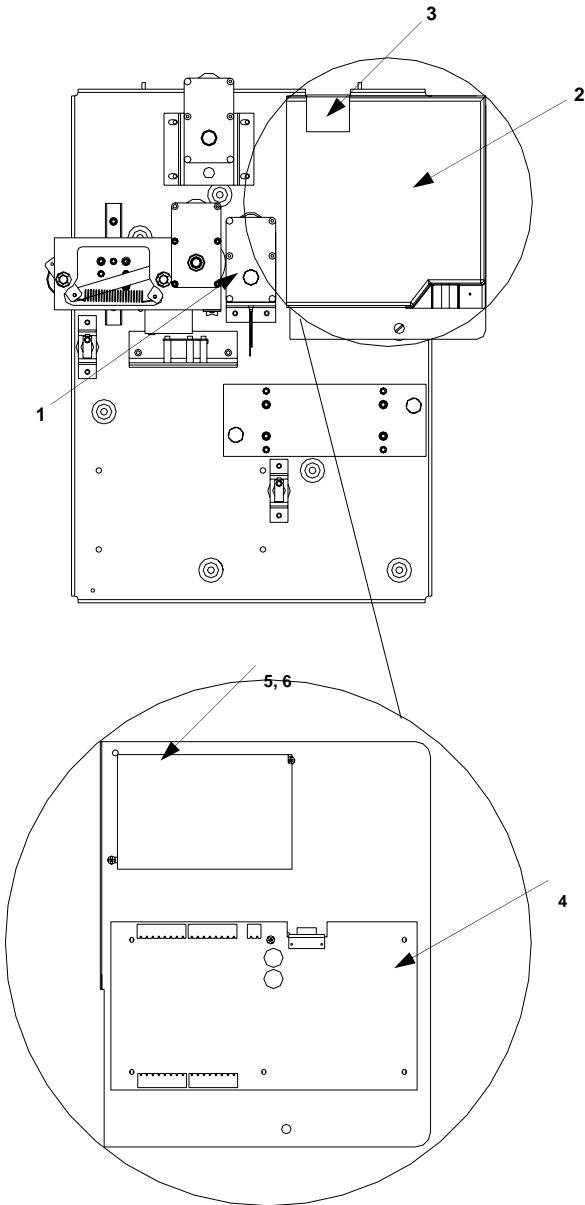


**Rear Access Door hardware**

Item	Description	Part No.	Qty
	U-Clip (mounts on dispenser)	202892	2
	Retaining Washer (holds 202585 in place)	202539	2
	Machine screw 10-32 x 1"	202585	2
	Pocket Pull door handle	202523	2
Pictured at left	Door, stainless steel panel	202890	1

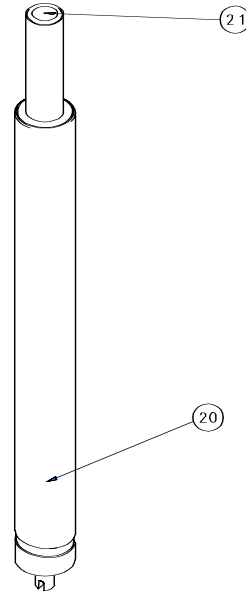
**NEW BACKPANEL CONFIGURATION**

Item	Description	Part Number	Qty
1	Stopgate Motor (rotated 90°)	290691	1
2	Controls Cover	291507	1
3	Retainer Clip, Controls Cover	292559	1
4	Plus Controller Board [Software E-PROM(NCWS)]	290626 [290778]	1
5	Power Supply Fuse	291294	1
6	Power Supply	202793	1

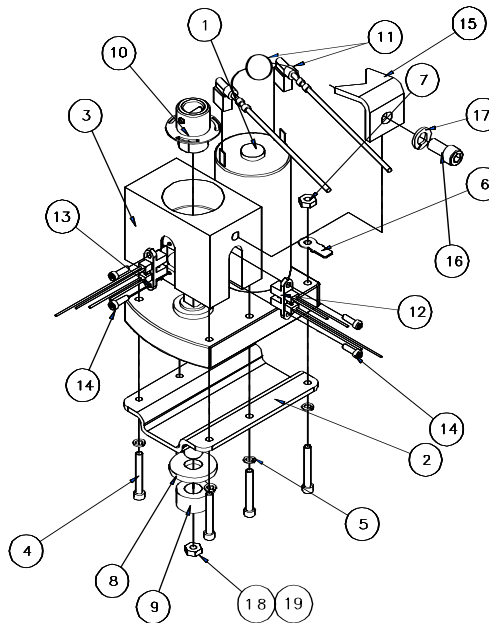


## BASKET LIFT ASSEMBLY

Item	Description	Part No.	Qty
1	Lift Motor	290147	1
2	Mounting Plate	290141	1
3	Encoder Block	290140	1
4	Screw, #6-32 UNC	213507	5
5	Lock Washer, #6	213528	1
6	Ground Stud (Green Wire)	290423	1
7	Nut, #6	202874	1
8	Rubber Washer	290171	1
9	Rubber Bushing	290174	1
10	Drive Coupler with Encoder Disk Encoder Disk Only	290292 290145	1
11	Lift Motor Wiring Harness White wire on + terminal Surge suppressor filter, Mov	290175 290428	1 1
12	Encoder Phase 1 J1 Blue	290690	1
13	Encoder Phase 2 J3 Green	290690	1
14	Screw, #4-40UNC	290372	4
15	Lift Lock Bracket	290146	1
16	Screw, 1/4-20UNC	213143	1
17	Lock Washer, 1/4"	213142	1
18	Flange Nut, 3/8-16 UNC	290394	1
19	Flat Washer, 3/8"	202992	1
20	Lift Tube	290115	1
21	Finishing Plug (White)	290160	1



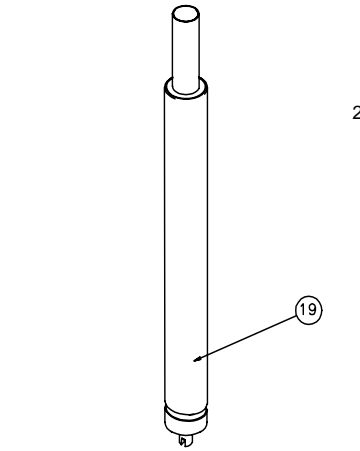
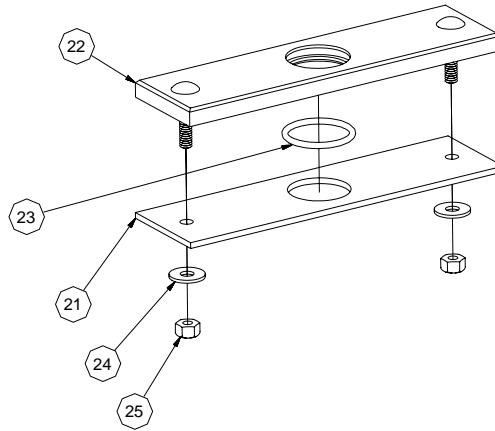
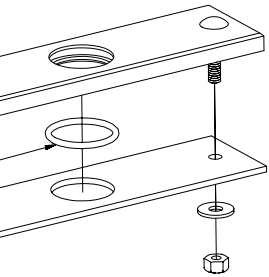
Item	Description	Part Number	Qty
1	Lift Motor	290147	1
2	Mounting Plate	290141	1
3	Encoder Block (Black)	292155	1
4	Screw #6-32UNC	290612	5
5	Lock Washer #6	213528	5
6	Ground Stud (Green Wire)	290423	1
7	Nut #6-32UNC	202874	1
8	Rubber Washer	290171	1
9	Rubber Bushing	292197	1
10	Encoder Vane	292157	1
11	4-40 X 1/2 Screw	292165	2
12	Lift Lock Bracket	290146	1
13	Screw 1/4-20UNC	213143	1
14	Lock Washer 1/4"	213142	1
15	.38 ID X .063 THK Nylon Washer	292158	1
16	Drive Coupler	292156	1
17	Inductive Encoders (J1 Blue) (J3 Green)	292560	2
18	Flange Nut 3/8-16UNC	290394	1



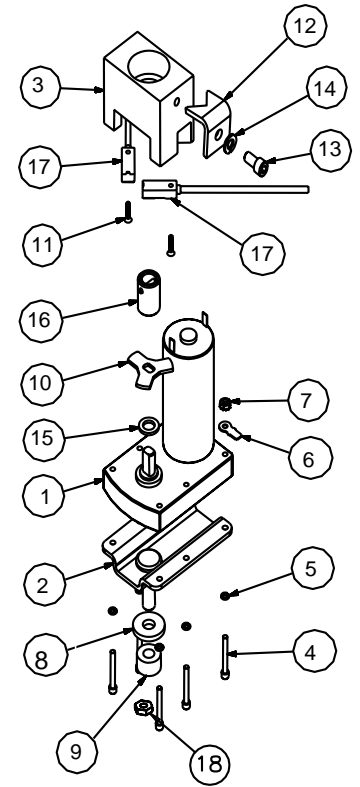
Deleted: 1998, 1999

19	Lift Tube (upgrade version)	292349	1
20	Finishing Plug (upgrade version)	292159	1
21	Lift Cover Gasket Kit (includes o-ring)	292463	1
22	Lift Cover (includes o-ring)	290432	1
23	O-Ring	290152	1
24	Washer 1/4-20UNC	213141	2
25	Nut 1/4-20UNC	213260	2

### NEW BASKET LIFT ASSEMBLY

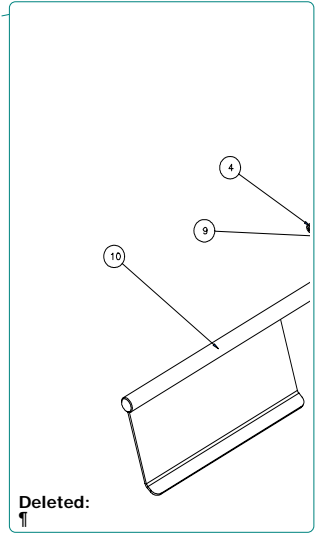
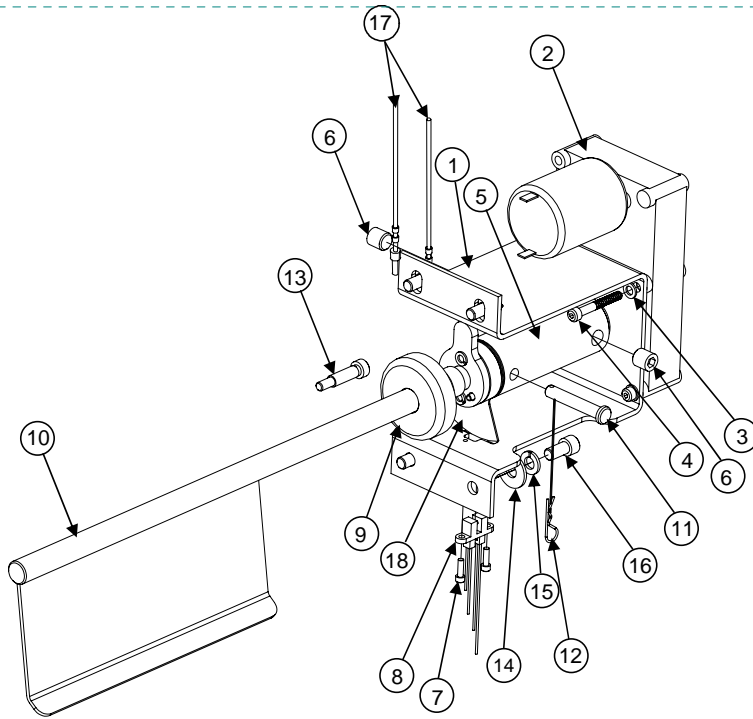


20



Deleted: 1998, 1999

# STOPGATE DRIVE ASSEMBLY

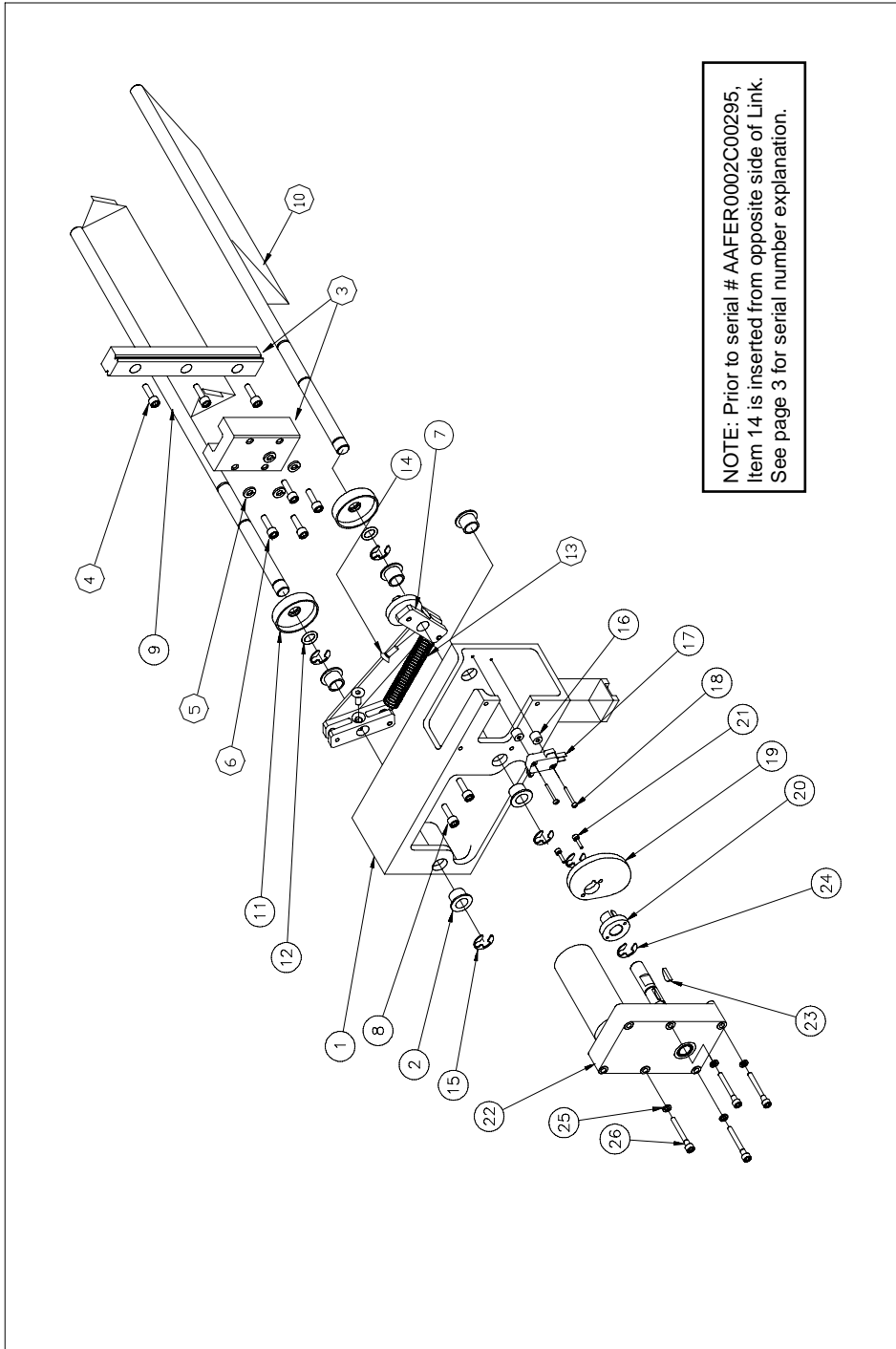


ITEM	QTY	PART NO.	DESCRIPTION
1	1	290126	Housing, Stopgate
2	1	290691	24VDC Gearmotor, Stopgate
3	4	213140	Washer, Lock #10
4	4	213136	Screw, Socket head, #10-32 X 1-1/4"
5	1	290379	Stopgate Tube Assembly
	1	290137	Encoder Vane only
6	2	290653	Set Screw, 3/8"-24 UNC
7	2	290372	Nylon Socket Head Cap Screw, #4-40 UNC X 1/4"
8	1	290690	Encoder (includes item #7)
9	1	203256	Stopgate Shaft Collar
10	1	290384	Stopgate Shaft
11	1	290127	Clevis Pin
12	1	202081	Hairpin Clip
13	1	203258	Hardstop, for units prior to serial #AFER0012C 01768, 1/4" Dia X 3/4" (attaches to backplane)
		291276	Hardstop, for units after and including serial #AFER0012C 01768, 5/16" Dia X 3/4" (attaches to backplane)
14	4	213141	Washer, Flat, 1/4"
15	4	213142	Washer, Lock, 1/4"
16	4	213143	Screw, Socket head, 1/4-20 x 1/2
17	1	290124	Harness, Distribution, 24VDC, 30"
18	1	290137	Vane, Stopgate

- Deleted: 1
- Deleted: 290124
- Deleted: Harness, Distribution, 24VDC, 30"
- Deleted: WASHER
- Deleted: ¶

Deleted: 1998, 1999

# ACCUMULATOR ASSEMBLY



Deleted: 1998, 1999

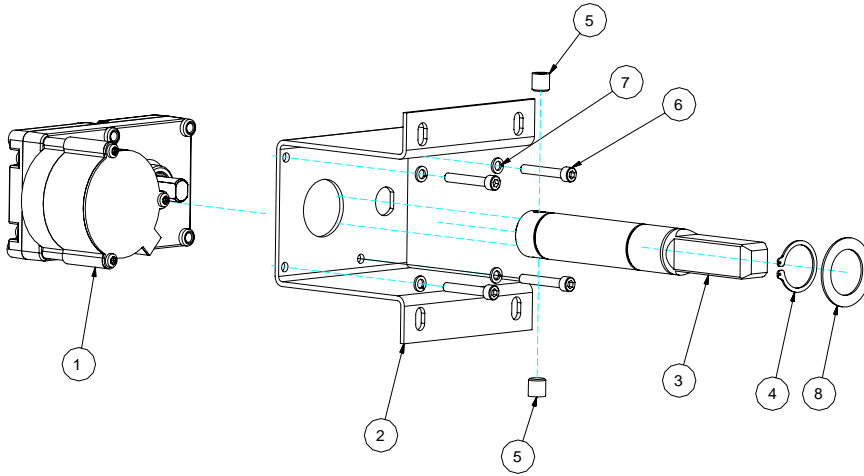
ITEM	QTY	PART NUMBER	DESCRIPTION
1	1	203245	Extrusion, Accumulator Housing
2	5	202974	Bearing, Flange, 1/2 In. I.D. x 5/8 In. O.D.
3	1	202068	Assembly, Linear Bearing
4	3	202073	Screw, Socket Head Cap, 1/4-20 x 3/4:
5	4	213142	Washer, Lock, 1/4"
6	4	203097	Screw, Socket Head Cap, M6 x 16mm
7	1	<a href="#">203374</a>	<a href="#">Assembly, Linkage, Accumulator</a>
	2	203219	Link, Accumulator Doors
	1	203220	Rod, Connecting
	1	203221	Wheel, Cam Follower
	4	203258	Screw, Shoulder, Socket Head Cap 1/4"x3/4"
	4	203259	Bearing, Plastic, 1/4" I.D. x 5/16" O.D. x 1/4"
	1	203260	Spring, Ext., .650" x 3.271
8	1	202073	Screw, Socket Head Cap, 1/4-20 UNC x 3/4 In., Zinc Plated
9	1	203253	Accumulator Door, Right
10	1	203254	Accumulator Door, Left
11	2	203256	Shaft Collar, 1/2 In. I.D.
12	2	203257	Gasket, O-Ring, 11/16 In. O.D. x 1/2 In. I.D. x 3/32 In. Thick
<a href="#">13</a>	<a href="#">1</a>	<a href="#">203260</a>	<a href="#">Spring</a>
14	2	213549	Screw, Flat head Cap, 1/4-20 UNC x 5/8 In., Zinc Plated
15	4	213356	Retaining Ring, E-Clip, 1/2 In.
16	2	203250	Stand-off, 3/8 O.D. x 0.140 I.D. x 5/16 long, Nylon
17	1	203249	Switch, Microswitch with roller
18	2	213500	Screw, Pan Head Machine, 4-40 UNC x 7/8 In., Phillips, Zinc Plated
19	1	203222	Cam, Accumulator
20	1	203248	Hub, Cam, Accumulator
21	2	213144	Screw, Socket Head Cap, 6-32 UNC x 1/2 In., Zinc Plated
22	1	290641	Motor, DC Drive, Accumulator Doors
23	1	203251	Key, Woodruff, #405
24	2	213356	Retaining Ring, E-Clip, 1/2 In.
25	4	213140	Washer, Lock, #10
26	4	213518	Screw, Socket Head Cap, 10-32 UNF x 1 1/2 In., Zinc Plated
Not Shown	1	290354	Wiring Harness, Accumulator Motor

Deleted: 1¶  
Deleted: 203374¶  
Deleted: Assembly, Linkage, Accumulator¶

Deleted: 1998, 1999



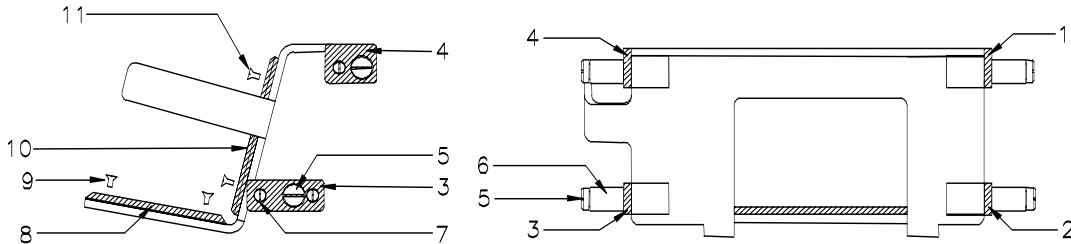
## DRUM MOTOR ASSEMBLY



Not Shown, Item 9- Wiring Harness

ITEM	QTY	PART NUMBER	DESCRIPTION
1	1	292546	Kit, Gear Motor, 24VDC, Drum
2	1	202797	Mounting Bracket, Motor
3	1	203380	Drum Shaft
4	1	213911	Retaining Ring, External, Zinc Plated, 1"
5	2	290653	Set Screw, Socket Head, Cup Point, 3/8-24x3/8"
6	4	213136	Cap Screw, Socket Head, Zinc Plated, 10-32 x 1 1/4"
7	4	213140	Lock Washer, Zinc Plated, #10
8	1	202896	Flat Washer, Zinc Plated 1"x1 1/2" x .047"
9	1	290124	Harness, Distribution, 24VDC, 30"

## LIFT SADDLE ASSEMBLY



Deleted:  
11

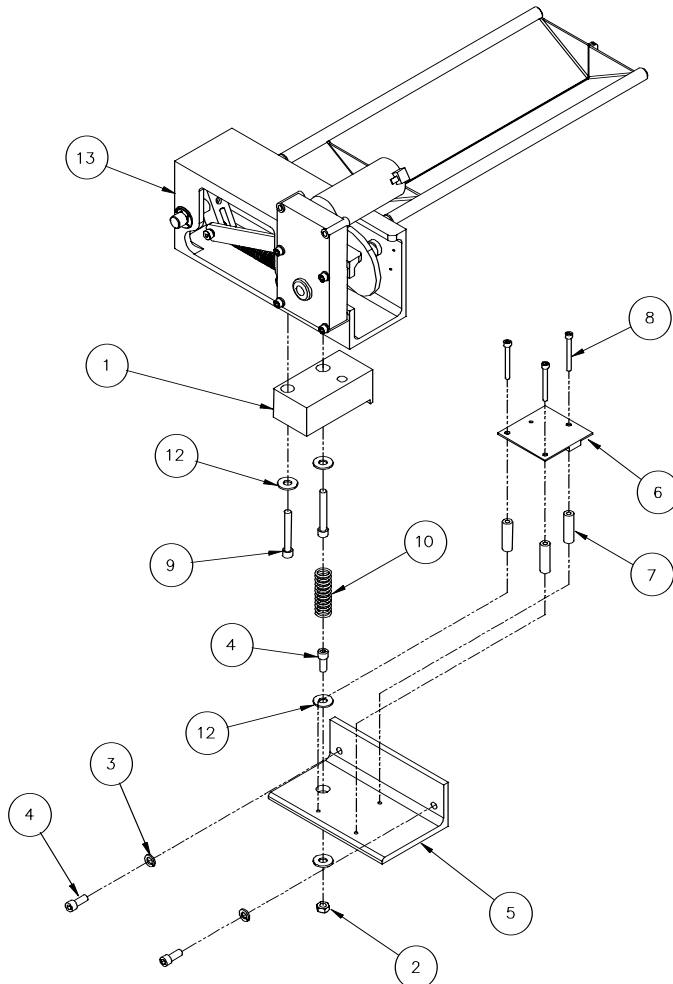
### SIDE VIEW

### BACK VIEW

ITEM	QTY	PART NUMBER	DESCRIPTION
1	1	220468	Wear Strip, Upper Right
2	1	220469	Wear Strip, Lower Right
3	1	220469	Wear Strip, Lower Left
4	1	220467	Wear Strip, Upper Left
5	4	202064	Shoulder Screw
6	4	217810	Guide Roller
7	6	202046	Wear Strip Screws
8	2	202762	Saddle Skid
9	4	202047	Saddle Skid Screw
10	1	220473	Splash Shield
11	5	202047	Splash Shield Screw

Deleted: 1998, 1999

# NON-CONTACT WEIGHING SYSTEM ASSEMBLY (NCWS)



Not Shown, Item 11- NCWS Wiring Harness

ITEM	QTY	PART NUMBER	DESCRIPTION
1	1	290725	Magnet Mount Assembly
2	1	290086	Hex Nut, Nylon Insert, 1/4-20
3	2	213142	Lock Washer, Zinc Plated, 1/4"
4	3	213145	Cap Screw, Socket Head, Zinc Plated, 1/4-20 x 5/8
5	1	290650	Bracket, NCWS, Board Mount
6	1	290519	Circuit Board, NCWS
7	3	290657	Spacer, Round, Unthreaded, Nylon, 3/8 x #8 x 1.25"
8	3	290658	Cap Screw, Socket Head, Zinc Plated, 8-32 x 1 1/2
9	2	290659	Cap Screw, Socket Head, Zinc Plated, 1/4-20 x 1 3/4
10	1	290656	Spring, NCWS
11	1	290655	Harness, NCWS
12	4	<u>213141</u>	Flat Washer, Zinc Plated, 1/4"
13	Accumulator Assembly, see page 7 for details		

Deleted: 290699

Deleted: 1998, 1999