



30 Pine Street • New Rochelle • New York • 10801
 914 / 576 - 0200
 914 / 576 - 0605 fax
 1 - 800 - 431 - 2745 US & Canada
 www.bakerspride.com web address

301, 307, 351, 3151

Gas Deck Oven

PARTS LIST

Convection-Flo

"00" SERIES - GAS BAKE & PIZZA OVENS



Model Number: **301** **307** **351** **3151**

Serial Number: _____

Type of Gas

Natural L.P. Other

301, 307, 351, 3151

Gas Deck Oven

30 Pine Street • New Rochelle • New York • 10801

914 / 576 - 0200

914 / 576 - 0605 fax

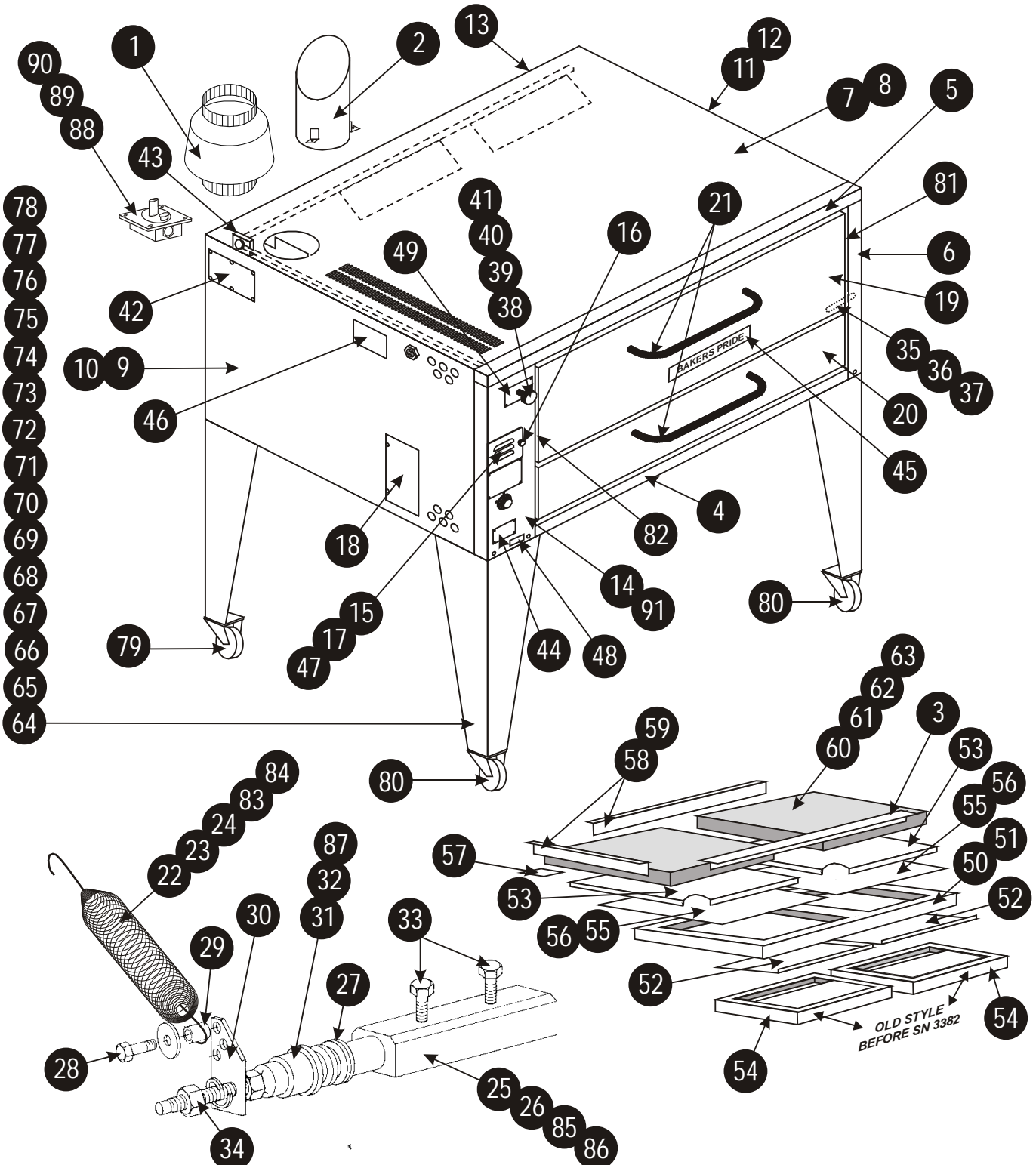
1 - 800 - 431 - 2745 US & Canada

www.bakerspride.com web address



Figure A

Exterior / Decks / Doors



Item	Part #	Description	Item	Part #	Description
Exterior / Decks / Door					
1	R3002Y	Flue Diverter, Direct Vent	44	U1041A	Plate, Minimum Clearance
2	R3115Y	Flue Diverter, Collection Hood	45	U1043X	Bakers Pride Logo, (13 3/4")
3	A1154X	Hearth Trim Assy, S/S	46	U1210A	Label, Warning
4	A1016X	Bottom Apron, S/S	47	U1230A	Label, Inst. Under Vent Hood
5	A1013X	Top Trim, S/S	48	U1240A	Label, Unit For Use Only With.....
6	A1010X	Front Panel, Right, S/S	49	U1039X	Plate, Push-Pull
7	A1028U	Outer Top, S/S (300)	50	A1403X	Hearth Frame Assy, 1 (301, 351)
8	A1370U	Outer Top, S/S (3151)	51	A1389T	Hearth Frame Assy, 1 (3151)
9	A1477K	Outer Side, Left, S/S (300)	52	A1297X	Flame Diverter, S/S, 17" x 21 1/2", 2 (All)
10	A1481K	Outer Side, Left, S/S (3151)	53	A1296X	Air Pan (301, 351) *Not used on 3151
11	A1478K	Outer Side, Right, S/S (300)	54	A1260X	Flame Diverter, S/S, 2 (Before SN3382)
12	A1482K	Outer Side, Right, S/S (3151)	55	A1235X	Hearth Liner Sheet, 22 1/2 x 34 (300) Set/2
13	A1036K	Outer Back Assy, S/S	56	A1431A	Hearth Liner Sheet, 22 1/2x24, 2 (3151) each
14	A1425X	Control Panel Assy, S/S, 8"	57	A4140Z	Shim, Hearth (ea)
15	A4129X	Combination Valve Door Assy, S/S	58	K1099K	Wedge, Hearth, 30" (2) 301, 351
16	S1153X	Knob	59	K1067K	Wedge, Hearth, 11 1/2" (4) 3151
17	S3203X	Latch Assy, Magnetic	60	T1105Y	Hearth Deck, 22 1/2x34 1/2x1 1/2 (ea) 300
18	K1059X	Access Cover, Left	61	T1112X	Hearth Deck, 22 1/2x34 1/2x1 1/2 (Set/2) 300
19	A1002X	Door Assy, Top, 8"	62	T1158Y	Hearth Deck, 22 1/2x24 1/2x1 1/2 (ea) 3151
20	A1008X	Door Assy, Bottom	63	T1158X	Hearth Deck, 22 1/2x24 1/2x1 1/2 (Set/2) 3151
21	S1002A	Handle w/2 Screws, Both Doors (17 1/2")	64	S1019Y	Legs, 6" (Set/4, w/Bolts)
22	S3004x	Spring, Bottom Door, 13/16" x 6 3/4"	65	S1019T	Leg, 6" (ea)
23	S3003x	Spring, Top Door 1 1/8" x 9 3/4"	66	S1018Y	Legs, 12" (Set/4, w/Bolts)
24	A1428X	Spring Retro Kit (O/S to N/S Door)	67	S1018T	Leg, 12" (ea)
25	S3039W	Door Rod Assy, Left Side (3/4" x 8")	68	S1003Y	Legs, 16" (Set/4, w/Bolts)
26	S3039X	Door Rod, Left Side (3/4" x 8")	69	S1003X	Leg, 16" (ea)
27	Q3024X	Spacer Kit, Door Rod	70	S1004Y	Legs, 30" (Set/4, w/Bolts)
28	Q2301X	Shoulder Bolt, 3/8-16 x 1"	71	S1004X	Leg, 30" (ea)
29	S3007X	Teflon Bushing Assy	72	S1039Y	Legs, 38" (Set/4, w/Bolts)
30	S3056X	Lever, Door Spring (3 1/2")	73	S1039T	Leg, 38" (ea)
31	S3135X	Bushing w/Insert, Door Rod (3/4")	74	Q2102A	Bolt, Leg, 1/2-13 x 1 (ea)
32	S3133X	Insert Only (Duralon)	75	S1076X	S/S Leg Wrap, 12" (Set/2)
33	Q2303X	Bolt, Door Rod, 3/8-16 (2)	76	S1077X	S/S Leg Wrap, 16" (Set/2)
34	Q2401X	Nut, Door Rod (9/16-18)	77	S1078X	S/S Leg Wrap, 30" (Set/2)
35	S3009X	Pin, Door, Right Side (9/16"-18 x 3")	78	S1079X	S/S Leg Wrap, 38" (Set/2)
36	S3138X	Sleeve Assy, Door Pin	79	S1022X	Caster, No Lock (ea)
37	Q3023X	Spacer Kit, Door Pin	80	S1023X	Caster, w/Lock (ea)
38	S3006X	Push Pull Rod Rod (301, 351)	81	A4286K	Top Door Seal, R.H.
39	S3042X	Push Pull Rod (3151)	82	A4287K	Top Door Seal, L.H.
40	S1005X	Knob, Flipper, 3/8"-16	N/S	M1002X	Automatic Oven Starter (7 Day Timer)
41	S3005X	Spring, Flipper Rod	N/S	T1002X	Steel Baking Deck, w/Screws (Opt. 301, 351)
42	K1209K	Flipper Cover, Outer Side	N/S	T1137X	Steel Baking Deck, w/Screws (Opt. 3151)
43	S3011A	Flipper Control Body (Lever)			

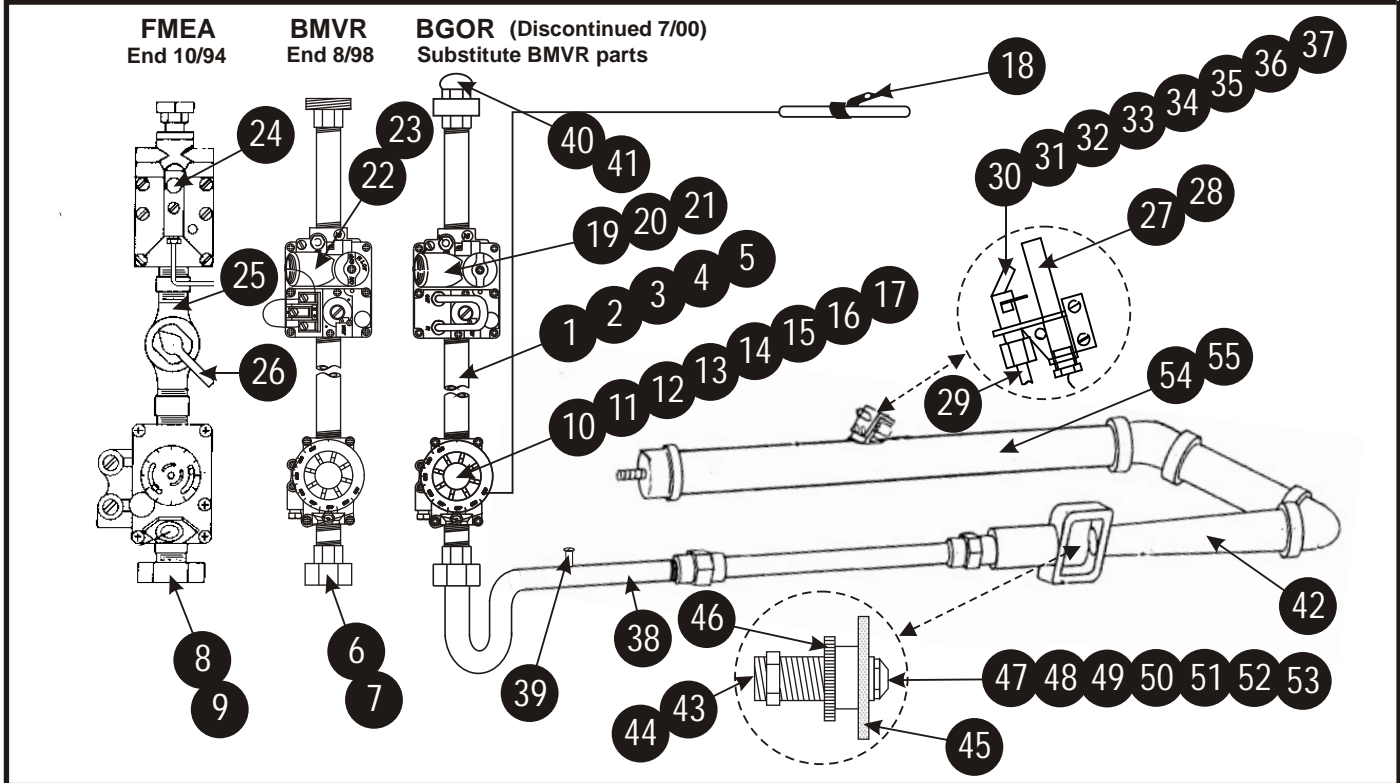
Older Models

83	S3002X	Spring, Top Door, 1 3/8" x 11 5/8"	88	M1184X	Pressure Reg, Nat, 3.5"WC
84	S3003X	Spring, Bottom Door, 1 1/8 x 9 3/4"	89	M1008X	Pressure Reg, Nat, 5"WC
85	S3010W	Door Rod Assy, 9/16" (Before SN2833) 301,351,3151	90	M1009X	Pressure Reg, LP, 10"WC
86	S3010X	Door Rod, 9/16" (Before SN2833) 301,351,3151	91	A1018X	Control Panel, S/S, FMEA
87	S3008X	Bushing, Door Rod (9/16")			

Qty	BGOR Conversion Kit (LP to Nat)		Qty	BGOR Conversion Kit (Nat to LP)	
1	R3118X	Orifice, Nat, #21 Drill (351, 3151)	1	R3131X	Orifice, LP #41 Drill (351, 3151)
1	R3119A	Orifice, Nat, #29 Drill (301, 304)	1	R3149X	Orifice, LP, #45 Drill (301, 304)
1	M1297X	BGOR Valve Kit, Nat	1	M1221X	BGOR Valve Kit, LP
1	M1244X	Orifice, Pilot, Nat, 2 CHA-1 (.018")	1	M1245X	Orifice, Pilot, LP, 2 CHA-1 (.010")
Qty	BMVR Conversion Kit (LP to Nat)		Qty	BMVR Conversion Kit (Nat to LP)	
1	R3118X	Orifice, Nat, #21 Drill (351, 3151)	1	R3131X	Orifice, LP #41 Drill (351, 3151)
1	R3119A	Orifice, Nat, #29 Drill (301, 304)	1	R3149X	Orifice, LP, #45 Drill (301, 304)
1	M1260X	BMVR Valve Kit, Nat	1	M1221X	BMVR Valve Kit, LP
1	M1244X	Orifice, Pilot, Nat, 2 CHA-1 (.018")	1	M1245X	Orifice, Pilot, LP, 2 CHA-1 (.010")
Qty	FMEA Conversion Kit (LP to Nat)		Qty	FMEA Conversion Kit (Nat to LP)	
1	R3009X	Orifice, Nat, #28 Drill (351, 3151)	1	R3131X	Orifice, LP #41 Drill (351, 3151)
1	R3055A	Orifice, Nat, #31 Drill (301, 304)	1	R3149X	Orifice, LP, #45 Drill (301, 304)
1	M1008X	Pressure Regulator, 5"WC	1	M1009X	Pressure Reg, LP, 10"WC
1	M1056X	Orifice, Pilot, Nat, (.018")	1	M1057X	Pilot Orifice, LP (.010")

Figure B

Controls / Interior Components



Item	Part #	Description	Item	Part #	Description
1	* M1395P	Control Assy, Nat (w/BGOR Valve) 351, 3151	29	R3036X	Pilot Tubing, S/S, 3/16" x 45"
2	* M1396P	Control Assy, LP (w/BGOR Valve) 351, 3151	30	M1220X	Pilot Burner, Natural, w/Ftgs, 2 CHA-1
3	* M1397P	Control Assy, Nat (w/BGOR Valve) 301	31	M1222X	Pilot Burner, LP, w/Fittings, 2 CHA-1
4	* M1398P	Control Assy, LP (w/BGOR Valve) 301	32	M1244X	Orifice, Pilot, Nat, 2 CHA-1 (.018")
5	* M1428P	Control Assy, CE, Nat (w/BGOR Valve) 351, 3151	33	M1245X	Orifice, Pilot, LP, 2 CHA-1 (.010")
6	M1249X	Control Assy, Nat (End 8/98) BMVR 351, 3151	34	M1054X	Pilot Burner, Nat, w/Fittings, #11E (FMEA)
7	M1250X	Control Assy, LP (End 8/98) BMVR 301	35	M1055X	Pilot Burner, LP, w/Fittings, #11E (FMEA)
8	M1065X	Control Assy, Nat or LP (w/FMEA Valve) 351, 3151	36	M1056X	Orifice, Pilot Nat (.018") FMEA
9	M1117X	Control Assy, Nat or LP (w/FMEA Valve) 301	37	M1057X	Orifice, Pilot, LP (.010") FMEA
10	M1005X	Thermostat, Gas, FDTH (650F) 351, 3151	38	R1001T	Manifold
11	S1056X	Knob, Thermostat, 650F, 351, 3151	39	N3068P	Pressure Tap Nozzle Assy
12	S1163X	Knob, Thermostat, CE, 340C, 351, 3151	40	R1061P	Gas Inlet Assy (301, 351)
13	M1006X	Thermostat, FDTO, 550F, 301	41	R1060P	Gas Inlet Assy (3151)
14	S1057X	Knob, Thermostat, 550F, 301	42	L5001X	Inspirator #3
15	S1164X	Knob, Thermostat, CE, 300C, 301	43	R3007X	Spud Assy #3
16	M1390X	Thermostat, High Heat, Elec (Opt. 351,3151)	44	R3004A	Spud Holder #3
17	S1207X	Knob, High Heat Thermostat, (1-10) 351, 3151	45	R3005A	Adjusting Disc, #3
18	Q4021X	Capillary Clip	46	R3006A	Locking Disc, #3
19	* R3152A	Valve, Nat, 7000-BGOR	47	R3131X	Orifice, LP #41 Drill (351, 3151) All Valves
20	* R3154A	Valve, LP, 7000-BGOR	48	R3149X	Orifice, LP #45 Drill (301, 304) All Valves
21	* R3156A	Valve, Nat, CE, U7000-BGOR	49	R3118X	Orifice, Nat #21 Drill (351, 3151) BGOR/BMVR
22	R3104X	Valve, BMVR, Nat (End 8/98, SN3691)	50	R3119A	Orifice, Nat #29 Drill (301, 304) BGOR/BMVR
23	R3124X	Valve, BMVR, LP (End 8/98, SN3691)	51	R3009X	Orifice, Nat #28 Drill (351, 3151) FMEA
24	M1004X	Valve, FMEA w/T-Couple (Before 10/94)	52	R3055A	Orifice, Nat #31 Drill (301, 304) FMEA
25	R3001X	Gas Valve, 1/2", w/Knob	53	R3008X	Orifice, Blank - Not drilled (All)
26	S1001T	Knob, Gas Valve, 1/2"	54	L5004W	Burner w/Cap & Elbow
27	M1296X	Thermocouple, T46 (72")	55	L5004X	Burner, Complete (To Union)
28	M1265X	Thermopile (End 8/98, SN3691)			

* **Discontinued 7/00.** Substitute BMVR parts listed above. ALWAYS INCLUDE #M1265X Thermopile.