



CATALOG OF
REPLACEMENT PARTS

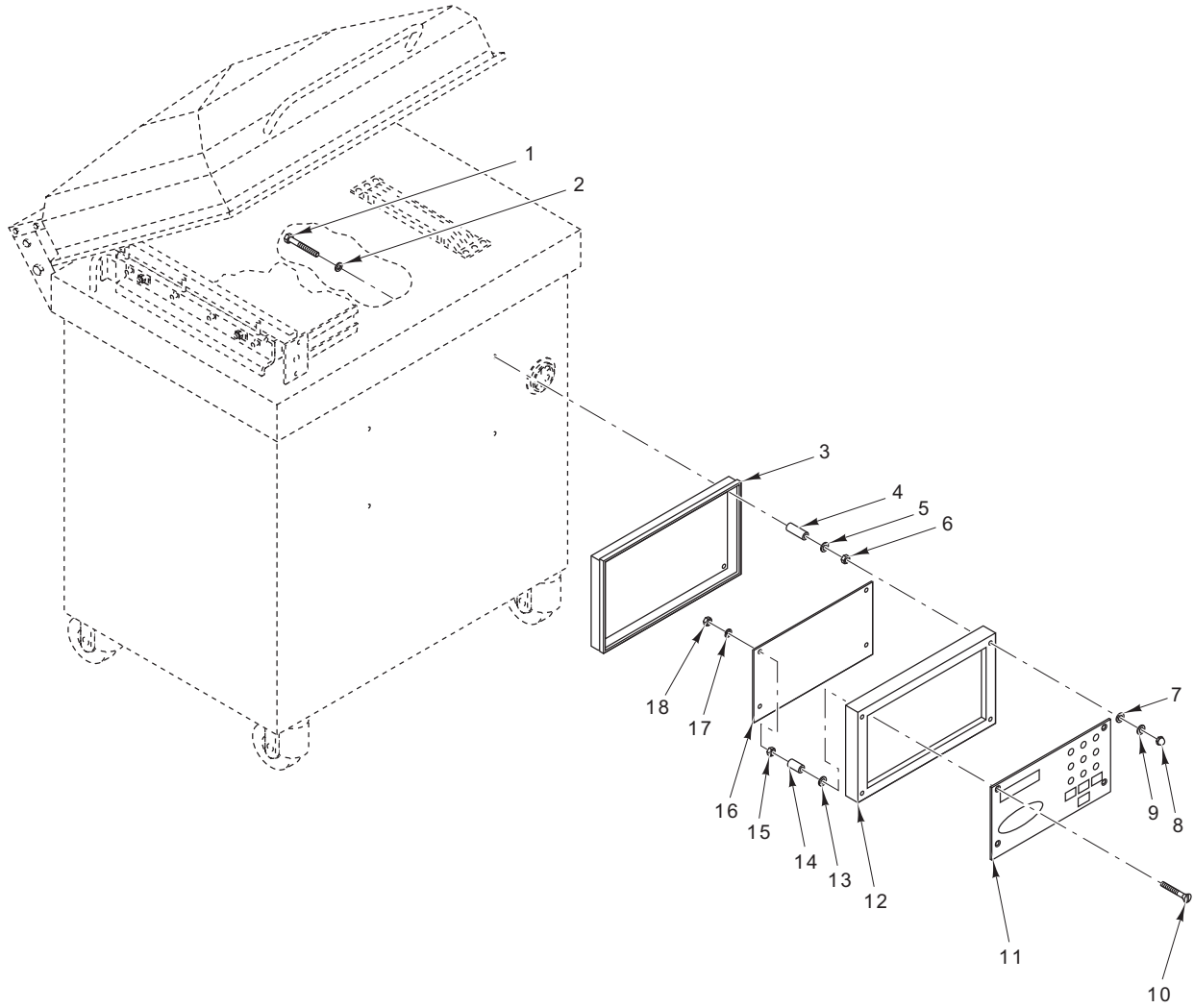


MODEL
550A VACUUM
PACKAGE MACHINES

EFFECTIVE APRIL 2010

Table of Contents

5	CONTROL PANEL
7	ELECTRICAL COMPONENTS
9	COVER
11	CABINET AND TABLE
13	SEAL BAR (TWIN SEAL OPTION)
15	SEAL BAR (WITH BAG CUT OPTION)
17	SEAL BAR (TOP AND BOTTOM SEAL OPTION)
19	GAS INJECTION
20	AIR REGULATOR AND FILTER

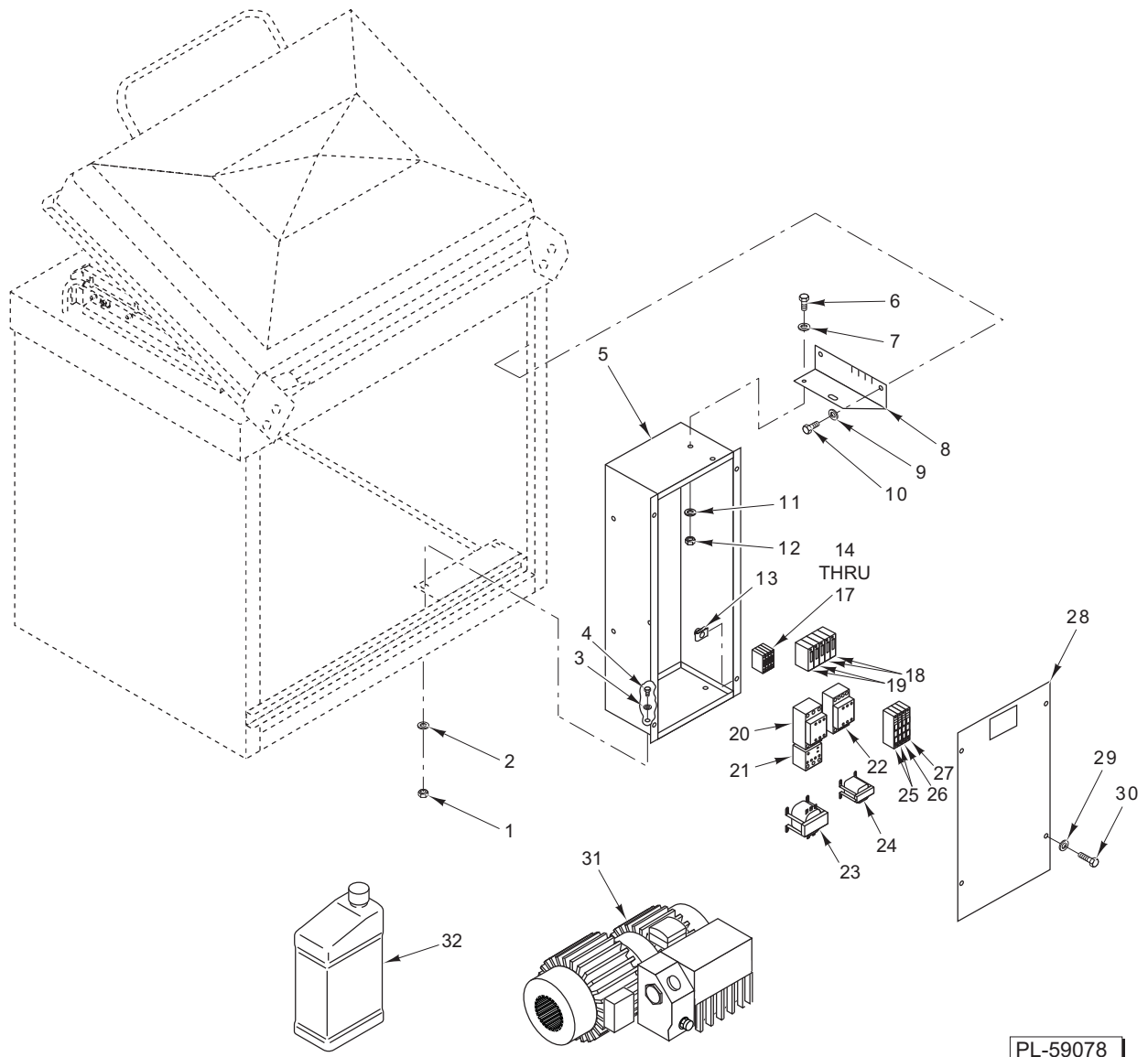


PL-59077

CONTROL PANEL

CONTROL PANEL

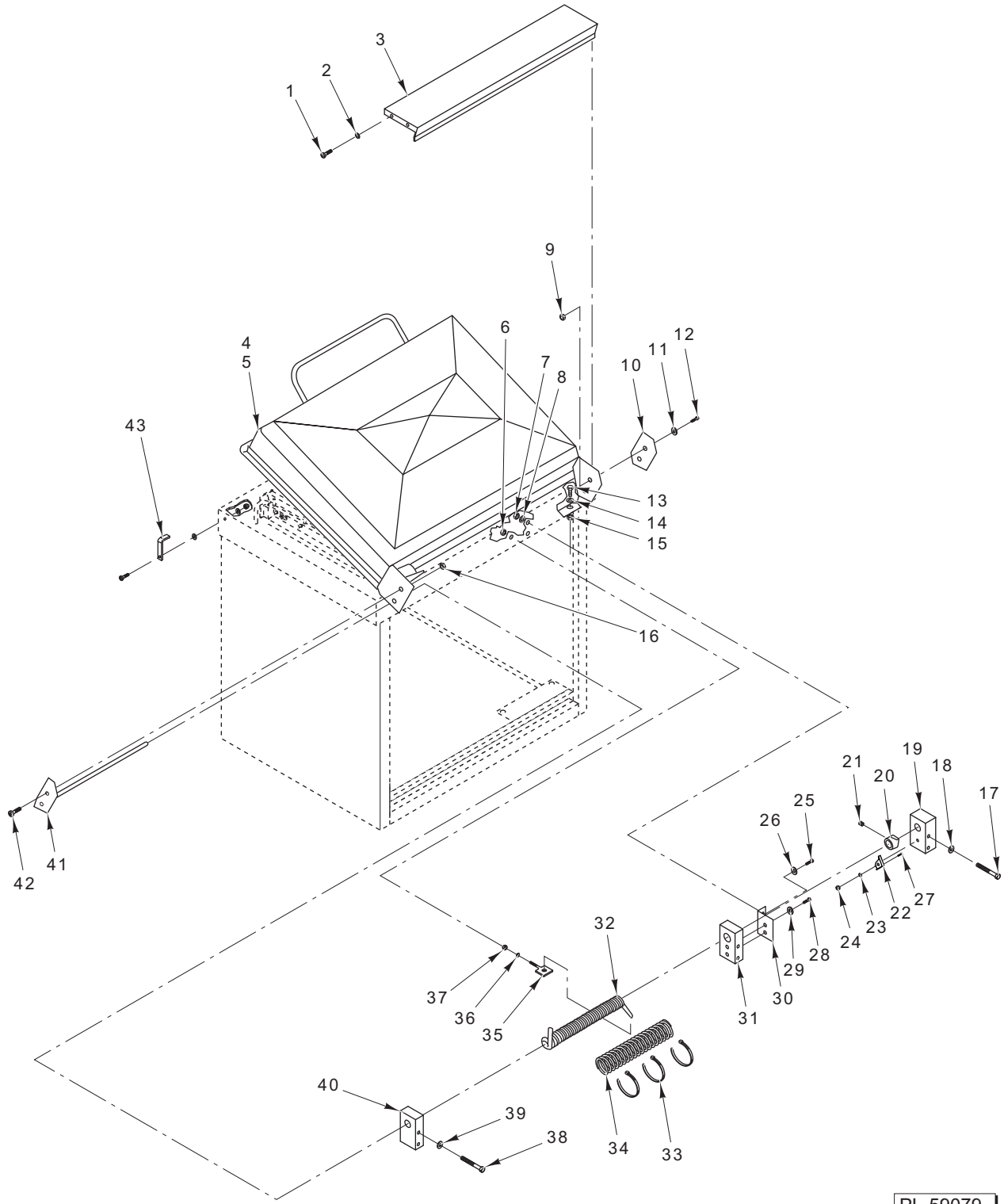
ILLUS.	PART NO.	NAME OF PART	AMT.
PL-59077			
1	SC-036-04	Mach. Screw 1/4-20 x 3/4 Slotted Hex Hd.	4
2	WS-022-21	Washer.....	4
3	01-400005-00584	Support Assy. – Rear	1
4	01-400058-00140	Spacer	4
5	WL-006-17	Lockwasher 1/4 Helical (SST)	4
6	NS-046-38	Nut 1/4-20 Hex (SST)	4
7	01-400057-00089	Washer – EPDM Rubber Seal 1/4 x 5/8 OD	4
8	NS-049-18	Nut – Acorn 1/4-20 (SST)	4
9	WS-022-21	Washer.....	4
10	SC-111-87	Mach. Screw 4-40 x 1 3/8 Phil. Pan Hd.	4
11	01-400033-00018	Keyboard – Berkel	1
12	01-400004-00425	Support – Front.....	1
13	WS-023-22	Washer (SST)	4
14	01-400058-00120	Spacer	4
15	NS-011-01	Nut 4-40 Hex (SST)	4
16	01-400033-00385	PC Board	1
17	WL-008-45	Lockwasher #4 Internal.....	4
18	NS-011-01	Nut 4-40 Hex (SST)	4
	01-400005-00583	Support Assy. – PC Board	1



ELECTRICAL COMPONENTS

ELECTRICAL COMPONENTS

ILLUS. PL-59078	PART NO.	NAME OF PART	AMT.
1	NS-018-01	Jam Nut 1/4-20 Hex (SST)	2
2	WS-022-21	Washer.....	2
3	WS-022-21	Washer.....	2
4	SC-129-49	Mach. Screw 1/4-20 x 1/2 Hex Washer Hd. (SST).....	2
5	01-400005-00347	Box – Electrical	1
6	SC-129-49	Mach. Screw 1/4-20 x 1/2 Hex Washer Hd. (SST).....	2
7	WS-022-21	Washer.....	2
8	01-400001-01364	Support – Upper Left Electrical Box.....	1
9	WS-022-21	Washer.....	2
10	SC-129-49	Mach. Screw 1/4-20 x 1/2 Hex Washer Hd. (SST).....	2
11	WS-022-21	Washer.....	2
12	NS-018-01	Jam Nut 1/4-20 Hex (SST)	2
13	00-129389	Speed Nut 1/4-20	4
14	01-400034-00740	Holder – Fuse	1
15	01-400034-00200	Fuse (250 V., 0.75 Amp.).....	1
16	01-400034-00210	Fuse (250 V., 2 Amp.)	1
17	01-400034-00450	Fuse (250 V., 7 Amp.)	1
18	01-400034-00450	Fuse (250 V., 7 Amp.)	2
19	01-400034-00550	Fuse (250 V., 25 Amp.)	2
20	01-400025-00030	Contactor – Motor (LC1D18B7)	1
21	01-400025-00190	Overload – Thermal (LRD21).....	1
22	01-400025-00020	Contactor (LC1DT25B7)	1
23	01-400029-00040	Transformer (500 VAC) (208-240 V. to 24 V., 60 Hz.).....	1
24	01-400029-00009	Transformer (65 VAC) (208-230 V. to 24-9 V.).....	1
25	01-400034-00240	Fuse (250 V., 4 Amp.)	2
26	01-400034-00700	Holder – Fuse	1
27	01-400034-00240	Fuse (250 V., 4 Amp.)	1
28	01-400004-00273	Cover – Electrical Box	1
29	WS-022-21	Washer.....	4
30	SC-129-49	Mach. Screw 1/4-20 x 1/2 Hex Washer Hd. (SST).....	4
31	01-400125-00060	Pump (Busch RA100) (100M3, 5Hp., 230-460 V., 3 Ph., 60 Hz.).....	1
32	01-401875-00109	Oil – Synthetic Vacuum (15 Wt., 1 Qt.)	1

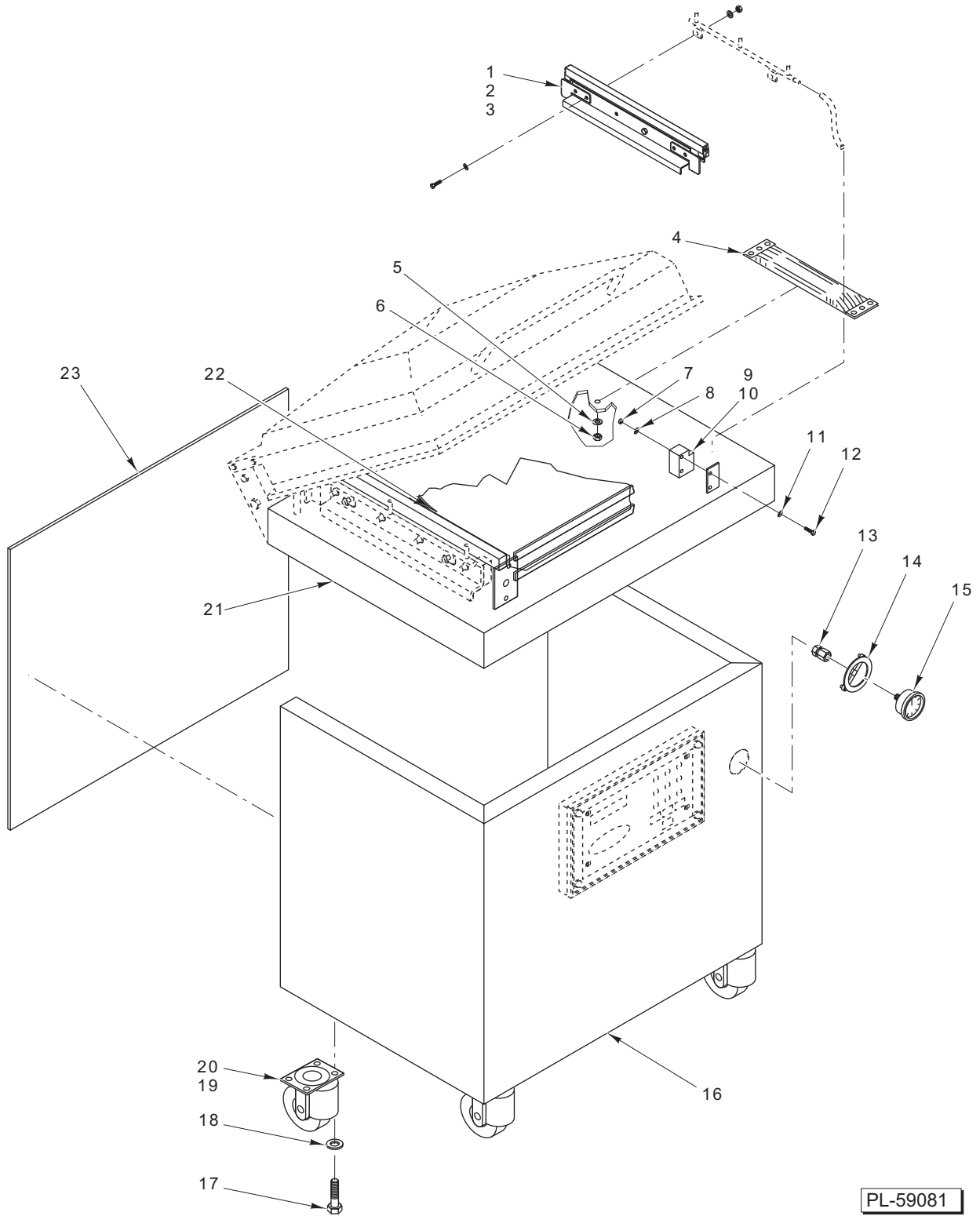


PL-59079

COVER

COVER

ILLUS. PL-59079	PART NO.	NAME OF PART	AMT.
1	SC-024-02	Mach. Screw 1/4-20 x 3/4 Slotted Fil. Hd. (SST)	4
2	WS-022-21	Washer	4
3	01-400004-00171	Cover – Spring	1
4	01-400005-00461	Cover Assy. (8 In.)	1
5	01-400005-00462	Cover Assy. (12 In.)	1
6	NS-009-43	Nut 3/8-16 Hex	1
7	NS-015-13	Nut 3/8-16 Hex (SST)	2
8	WS-018-22	Washer	1
9	NS-015-13	Nut 3/8-16 Hex (SST)	2
10	01-400001-01335	Stopper – Cover	1
11	WS-018-20	Washer (SST)	2
12	SC-067-16	Mach. Screw 3/8-16 x 1 Slotted Hex Hd. (SST)	2
13	SC-067-16	Mach. Screw 3/8-16 x 1 Slotted Hex Hd. (SST)	1
14	WS-018-22	Washer	1
15	NS-018-01	Jam Nut 1/4-20 Hex (SST)	1
16	NS-015-13	Nut 3/8-16 Hex (SST)	2
17	SC-012-24	Mach. Screw 3/8-16 x 3/4 Slotted Fil. Hd.(SST)	2
18	WS-018-22	Washer	2
19	01-400004-00274	Support – Cover Axis (LH)	1
20	01-400005-00348	Collar Assy. – Micro-Switch	1
21	SC-055-02	Set Screw 1/4-20 x 1/4 Hex Hdls. Cup Pt. (SST)	1
22	01-400026-00610	Limit Switch – Long Roller	1
23	WL-008-45	Lockwasher #4 Internal (SST)	2
24	NS-011-01	Nut 4-40 Hex (SST)	2
25	SC-067-16	Mach. Screw 3/8-16 x 1 Slotted Hex Hd. (SST)	2
26	WS-018-22	Washer	2
27	SC-007-16	Mach. Screw 4-40 x 1 1/2 Slotted Rd. Hd.	2
28	SC-067-16	Mach. Screw 3/8-16 x 1 Slotted Hex Hd. (SST)	2
29	WS-018-22	Washer	2
30	01-400001-01540	Fixation – Central Cover Axis Support	1
31	01-400004-00276	Axis Support – Central Cover	1
32	01-400008-00322	Spring – Cover	1
33	01-400057-00330	Tie – Cable 14 In. Lg. (Black)	3
34	01-400038-00350	Loom 2 In. ID x 370mm	1
35	01-400005-00346	Support – Spring Tension	1
36	WS-020-06	Washer	1
37	NS-015-20	Nut 1/2-13 Hex (SST)	1
38	SC-012-24	Mach. Screw 3/8-16 x 3/4 Slotted Fil. Hd.(SST)	2
39	WS-018-22	Washer	2
40	01-400004-00275	Support – Cover Axis (RH)	1
41	01-400004-00129	Axis – Cover	1
42	SC-067-16	Mach. Screw 3/8-16 x 1 Slotted Hex Hd. (SST)	2
43	01-400004-01651	Hold Down – Cover	1

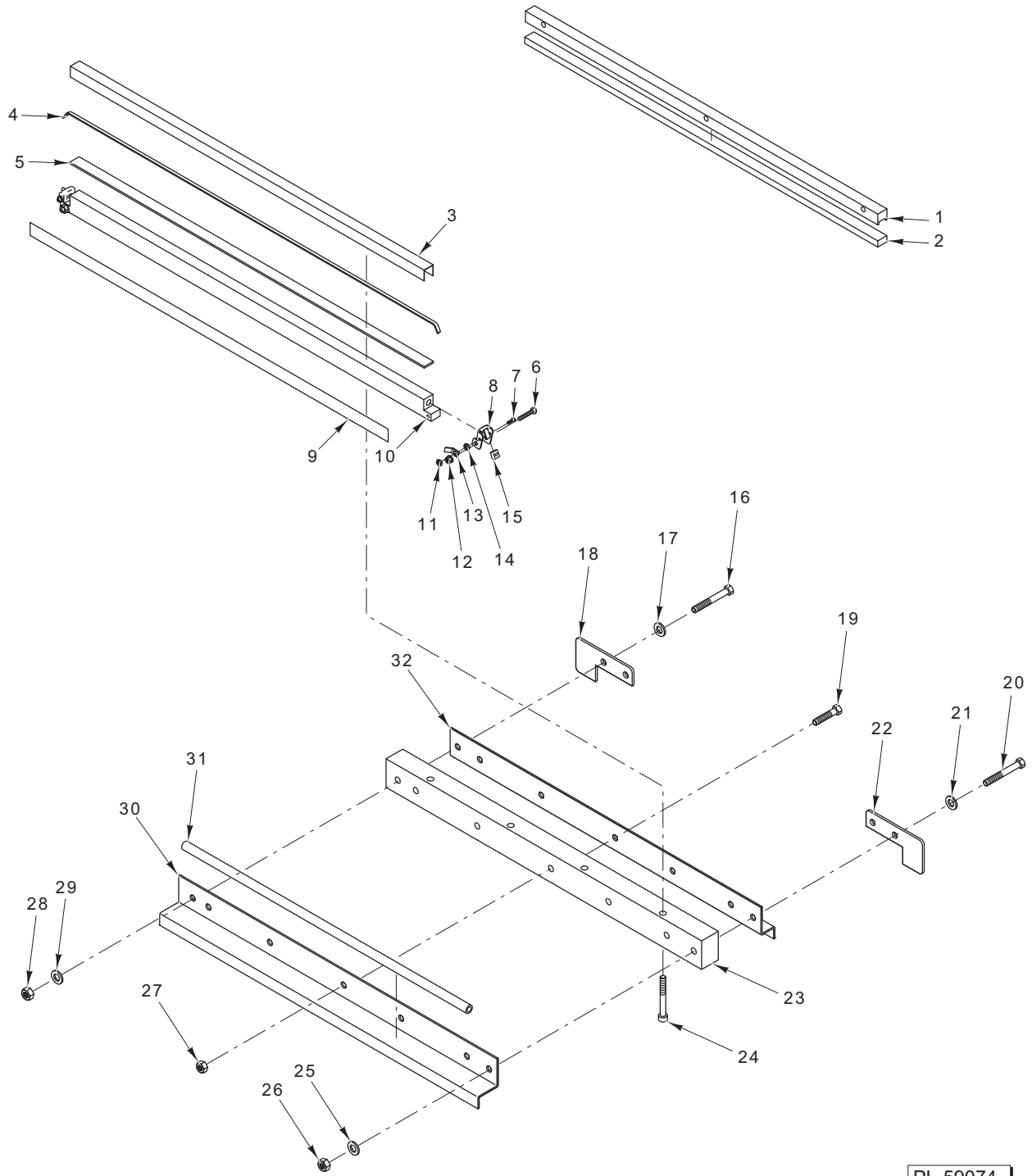


PL-59081

CABINET AND TABLE

CABINET AND TABLE

ILLUS.	PART NO.	NAME OF PART	AMT.
PL-59081			
1	01-400005-00568	Seal Bar Assy. With Support (Twin Seal Option)	2
2	01-400005-00569	Seal Bar Assy. With Support (With Bag Cut Option).....	2
3	01-400005-00570	Seal Bar Assy. With Support (With Top and Bottom Seal Option)	2
4	01-400005-00320	Bellows Assy.	2
5	WL-006-28	Washer (SST)	6
6	NS-015-13	Nut $\frac{3}{8}$ -16 Hex (SST)	6
7	NS-018-01	Jam Nut $\frac{1}{4}$ -20 Hex (SST)	2
8	WS-022-21	Washer.....	2
9	01-400002-00327	Guide Block – Seal Bar (RH)	2
10	01-400002-00326	Guide Block – Seal Bar (LH).....	2
11	WS-022-21	Washer.....	2
12	SC-041-07	Cap Screw $\frac{1}{4}$ -20 x $1\frac{1}{2}$ Hex Hd. (SST)	2
13	01-400101-00038	Fitting – Straight $\frac{1}{4}$ x $\frac{3}{8}$ In. (Brass).....	1
14	01-400001-01869	Washer – Holding	1
15	01-400114-00260	Gage – Vacuum (Incls. Item 13)	1
16	01-400005-00442	Panel – Front	1
17	SC-112-72	Mach. Screw $\frac{5}{16}$ -18 x $\frac{3}{4}$ Hex Hd. (SST).....	4
18	WL-003-47	Lockwasher $\frac{5}{16}$ Helical	4
19	01-400130-04PHB	Caster – Swivel With Brake (4 In.).....	2
20	01-400130-04PHO	Caster – Swivel Without Brake (4 In.).....	2
21	01-400005-00341	Table Assy.....	1
22	01-400005-00350	Filler Plate Assy.....	2
23	01-400005-00339	Panel – Rear	1
	01-400005-00606	Panel Assembly – Front and Rear	1



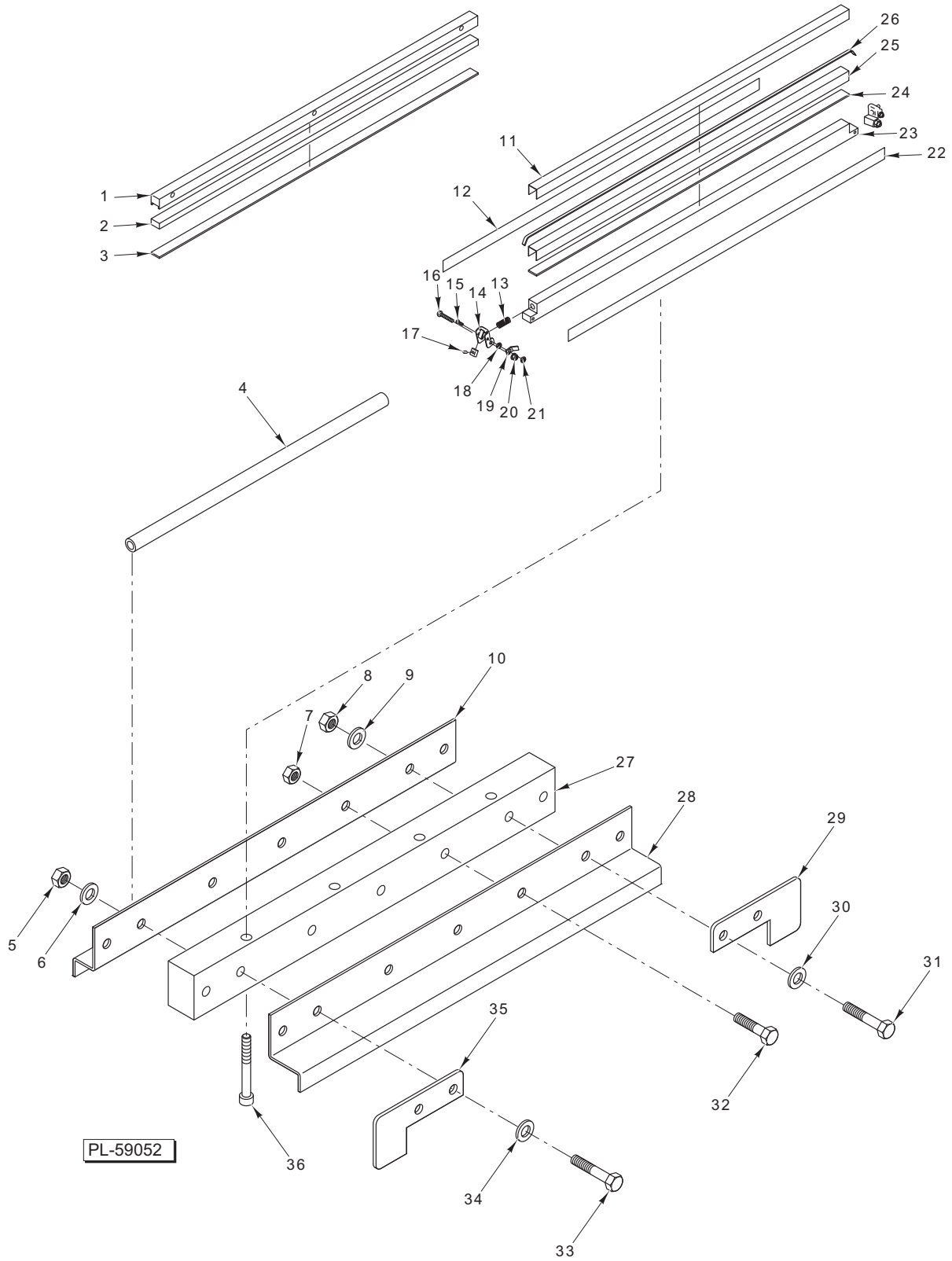
PL-59074

SEAL BAR (TWIN SEAL OPTION)

SEAL BAR (TWIN SEAL OPTION)

ILLUS. PL-59074	PART NO.	NAME OF PART	AMT.
1	01-400002-00404	Support – Upper Seal Bar.....	1
*2	01-400008-00320	Rubber – Upper Seal Bar (27 In.).....	AR
*3	01-400003-0021R	Tape – Teflon (27 In.).....	AR
*4	01-400039-00268	Band – Double Seam (8mm).....	AR
*5	01-400171-00180	Tape – Clear Super Bond (3/4 In. x 27 In.).....	AR
6	SC-109-58	Mach. Screw 10-24 x 1 Phil. Pan Hd. (SST).....	1
7	SC-021-98	Mach. Screw 8-32 x 3/8 Phil. Rd. Hd. (SST).....	1
8	01-400001-02742	Binder – Element (8mm).....	1
*9	01-400171-00180	Tape – Clear Super Bond (3/4 In.).....	AR
10	01-400002-00314	Bar – Seal.....	1
11	NS-011-12	Nut 8-32 (SST).....	1
12	NS-047-70	Lock Nut 10-24 Hex.....	1
13	01-400027-00400	Connector – Adapter.....	1
14	NS-011-12	Nut 8-32 (SST).....	1
15	01-400056-01401	Set Screw 3/8 Banding Buckle (SST).....	1
16	SC-041-07	Cap Screw 1/4-20 x 1 1/2 Hex Hd. (SST).....	2
17	WS-022-21	Washer.....	2
18	01-400001-00269	Guide – Seal Bar.....	1
19	SC-126-59	Mach. Screw 1/4-20 x 1 1/4 Hex Hd. (SST).....	3
20	SC-041-07	Cap Screw 1/4-20 x 1 1/2 Hex Hd. (SST).....	2
21	WS-022-21	Washer.....	2
22	01-400001-00269	Guide – Seal Bar.....	1
23	01-400002-00514	Support – Seal Bar.....	1
24	SC-040-97	Cap Screw 1/4-20 x 1 3/4 Hex Socket Hd.....	4
25	WS-022-21	Washer.....	2
26	NS-018-01	Jam Nut 1/4-20 Hex (SST).....	2
27	NS-018-01	Jam Nut 1/4-20 Hex (SST).....	3
28	NS-018-01	Jam Nut 1/4-20 Hex (SST).....	2
29	WS-022-21	Washer.....	2
30	01-400001-01962	Cover – Exterior Bellows.....	1
*31	01-400038-00230	Duct – Wiring With Adhesive.....	AR
32	01-400001-01963	Cover – Interior Bellows.....	1
	01-400005-00568	Seal Bar Assembly With Support (Incls. Items 3 thru 38).....	2

* Sold per foot.

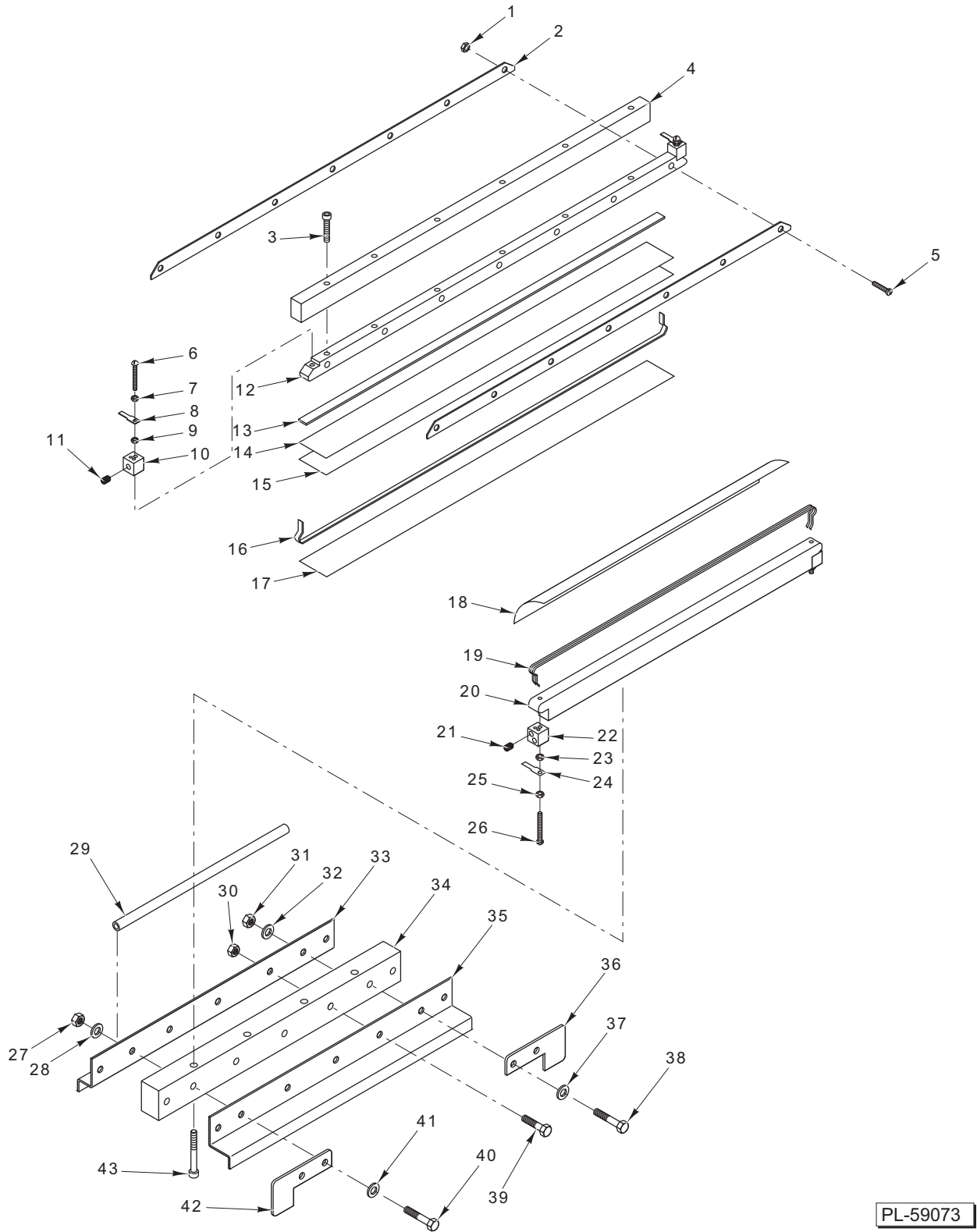


SEAL BAR ASSEMBLY (WITH BAG CUT OPTION)

SEAL BAR (WITH BAG CUT OPTION)

ILLUS.	PART NO.	NAME OF PART	AMT.
	PL-59052		
1	01-400002-00063	Support – Upper Seal Bar (27 In.)	1
*2	01-400008-00320	Rubber – Upper Seal Bar (27 In.)	AR
*3	01-400008-00842	Strip – Teflon Cutting (27 In.)	AR
*4	01-400038-00230	Wiring Duct With Adhesive (27 In.)	AR
5	NS-018-01	Jam Nut 1/4-20 Hex (SST)	2
6	WS-022-21	Washer.....	2
7	NS-018-01	Jam Nut 1/4-20 Hex (SST)	3
8	NS-018-01	Jam Nut 1/4-20 Hex (SST)	2
9	WS-022-21	Washer.....	2
10	01-400001-01962	Cover – Exterior Bellows	1
*11	01-400176-00203	Tape – Teflon (27 In.)	AR
*12	01-400171-00180	Tape – Clear Super Bond (3/4 In.) (27 In.)	AR
13	01-400007-00095	C-Spring (SST)	1
14	01-400001-02666	Binder – Element	2
15	SC-021-14	Mach. Screw 8-32 x 3/8 Slotted Rd. Hd. (SST).....	1
16	SC-109-58	Mach. Screw 10-24 x 1 Phil. Pan Hd. (SST).....	1
17	01-400056-01400	Set Screw 1/4 Banding Buckle (SST).....	1
18	NS-011-12	Nut 8-32 (SST).....	1
19	01-400027-00400	Adapter – Connector.....	1
20	NS-047-70	Lock Nut 10-24 Hex.....	1
21	NS-011-12	Nut 8-32 (SST).....	1
*22	01-400171-00180	Tape – Clear Super Bond (3/4 In.) (27 In.)	AR
23	01-400009-00191	Bar – Seal	1
24	01-400179-00003	Silicone 2mm x 15mm x 641.5mm (0.64)	1
*25	01-400176-00220	Tape – Teflon (2 In.) (27 In.).....	AR
*26	01-400039-00269	Element – Seal Cut (27 In.)	AR
27	01-400002-00514	Support – Seal Bar	1
28	01-400001-01963	Cover – Interior Bellows.....	1
29	01-400001-00269	Guide – Seal Bar	1
30	WS-022-21	Washer.....	2
31	SC-041-04	Cap Screw 1/4-20 x 1 3/4 Hex Hd. (SST)	2
32	SC-126-59	Mach. Screw 1/4-20 x 1 1/4 Hex Hd. (SST)	3
33	SC-041-07	Cap Screw 1/4-20 x 1 1/2 Hex Hd. (SST)	2
34	WS-022-21	Washer.....	2
35	01-400001-00269	Guide – Seal Bar	1
36	SC-040-97	Cap Screw 1/4-20 x 1 3/4 Hex Socket Hd.....	4
	01-400005-00569	Seal Bar Assy. With Support (Incls. Items 4 thru 36)	2

* Sold per foot.

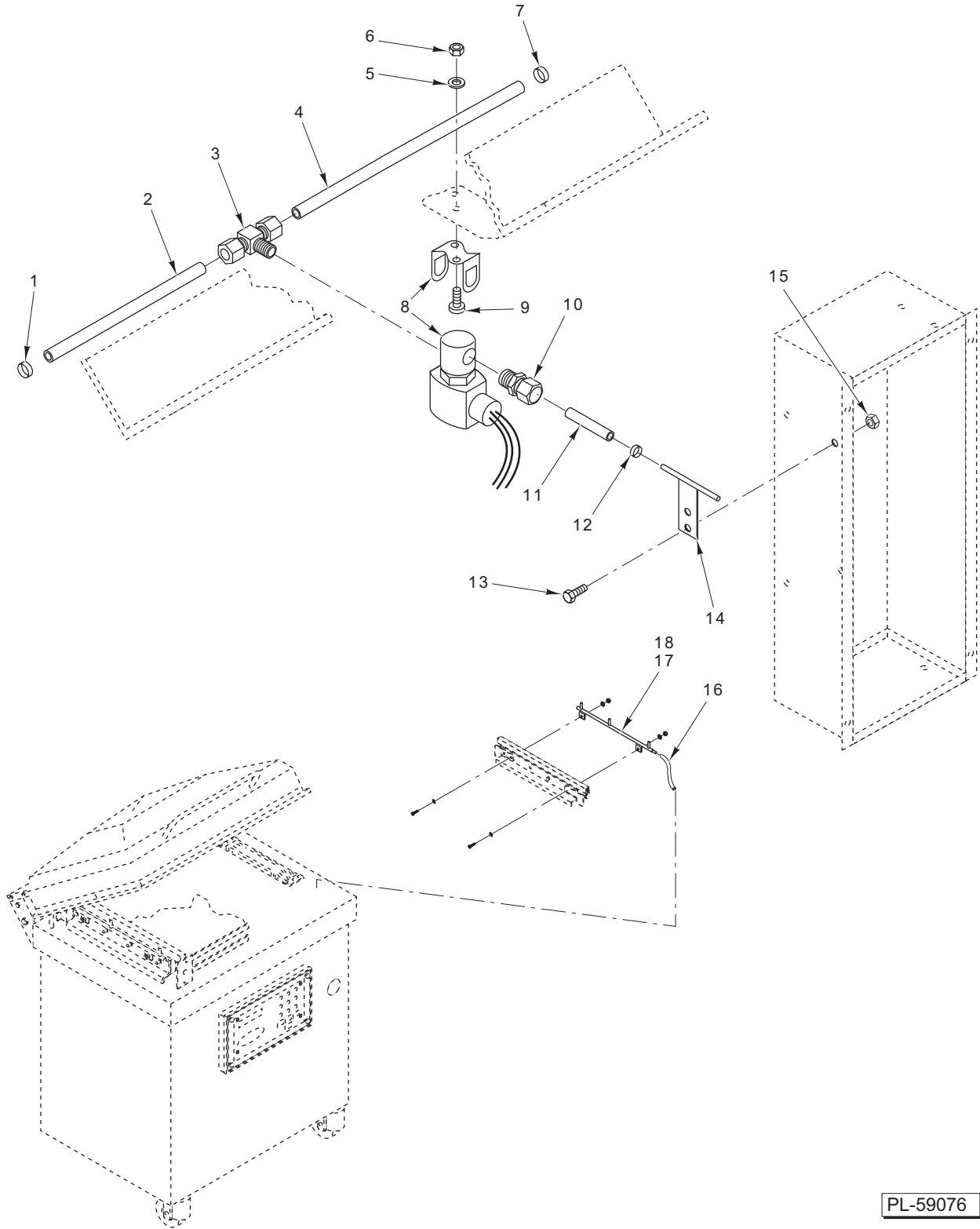


SEAL BAR ASSEMBLY (TOP AND BOTTOM SEAL OPTION)

SEAL BAR (TOP AND BOTTOM SEAL OPTION)

ILLUS.	PART NO.	NAME OF PART	AMT.
PL-59073			
1	NS-011-12	Nut 8-32 (SST).....	7
2	01-400001-01386	Holder – Upper Teflon.....	1
3	SC-059-30	Cap Screw 1/4-20 x 1 Hex Socket Hd. (SST).....	6
4	01-400002-00537	Support – Upper Seal Bar.....	1
5	SC-021-12	Screw 6-32 x 1 Slotted Rd. Hd. (SST).....	7
6	SC-041-07	Cap Screw 1/4-20 x 1 1/2 Hex Hd. (SST).....	2
7	NS-011-12	Nut 8-32 (SST).....	2
8	01-400027-00400	Adapter – Connector.....	2
9	NS-011-12	Nut 8-32 (SST).....	2
10	01-400009-00029	Connector.....	2
11	SC-117-84	Set Screw 1/4-20 x 5/16 Hex Hdls. Cup Pt.....	1
12	01-400002-00538	Bar – Upper Seal.....	1
*13	01-400179-00003	Silicone 2mm x 15mm x 641.5mm (0.64) (27 In.).....	AR
*14	01-400003-0021R	Tape – Teflon (2 1/4 In.) (27 In.).....	AR
*15	01-400176-00220	Tape – Teflon (2 In.) (27 In.).....	AR
*16	01-400039-00220	Element – Bi-Active Sealing (27 In.).....	AR
*17	01-400176-00220	Tape – Teflon (2 In.) (27 In.).....	AR
*18	01-400003-0021R	Tape – Teflon (2 1/4 In.) (27 In.).....	AR
*19	01-400039-00220	Element – Bi-Active Sealing (27 In.).....	AR
20	01-400002-00314	Bar – Seal.....	1
21	SC-117-84	Set Screw 1/4-20 x 5/16 Hex Hdls. Cup Pt.....	2
22	01-400009-00029	Connector.....	2
23	NS-011-12	Nut 8-32 (SST).....	2
24	01-400027-00400	Adapter – Connector.....	2
25	NS-011-12	Nut 8-32 (SST).....	2
26	SC-028-12	Mach. Screw 4-40 x 5/8 Slotted Rd. Hd. (Brass).....	2
27	NS-018-01	Jam Nut 1/4-20 Hex (SST).....	2
28	WS-022-21	Washer.....	2
*29	01-400038-00230	Duct – Wiring With Adhesive (24 In.).....	AR
30	NS-018-01	Jam Nut 1/4-20 Hex (SST).....	3
31	NS-018-01	Jam Nut 1/4-20 Hex (SST).....	2
32	WS-022-21	Washer.....	2
33	01-400001-01962	Cover – Exterior Bellows.....	1
34	01-400002-00514	Support – Seal Bar.....	1
35	01-400001-01963	Cover – Interior Bellows.....	1
36	01-400001-00269	Guide – Seal Bar.....	1
37	WS-022-21	Washer.....	2
38	SC-041-07	Cap Screw 1/4-20 x 1 1/2 Hex Hd.....	2
39	SC-126-59	Mach. Screw 1/4-20 x 1 1/4 Hex Hd. (SST).....	3
40	SC-041-07	Cap Screw 1/4-20 x 1 1/2 Hex Hd.....	2
41	WS-022-21	Washer.....	2
42	01-400001-00269	Guide – Seal Bar.....	1
43	SC-040-97	Cap Screw 1/4-20 x 1 3/4 Hex Socket Hd.....	4

* Sold per foot.



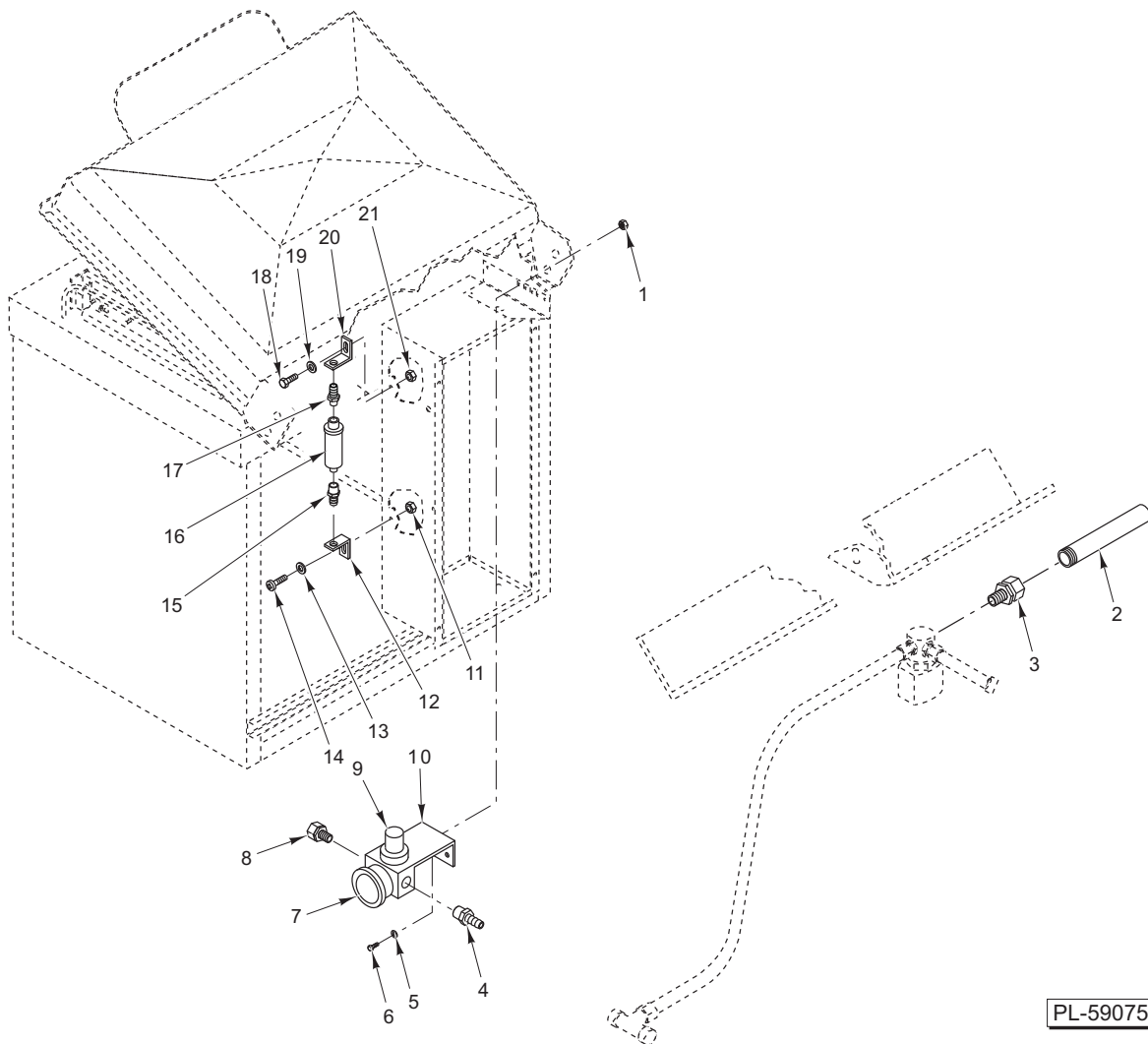
PL-59076

GAS INJECTION

GAS INJECTION

ILLUS. PL-59076	PART NO.	NAME OF PART	AMT.
1	01-400105-00200	Collar	1
*2	01-400104-00060	Hose	AR
3	01-400101-00065	Tee	1
*4	01-400104-00060	Hose	AR
5	WL-008-07	Lockwasher #8 Internal.....	2
6	NS-011-12	Nut 8-32 (SST).....	2
7	01-400105-00200	Collar	1
8	01-400106-00010	Valve – Solenoid.....	1
9	SC-120-35	Mach. Screw 8-32 x 3/8 Phil. Pan Hd. (SST)	2
10	01-400101-00036	Fitting	1
*11	01-400104-00060	Hose	AR
12	01-400105-00200	Collar	1
13	SC-129-49	Mach. Screw 1/4-20 x 1/2 Hex Washer Hd. (SST).....	1
14	01-400005-00323	Insert.....	1
15	NS-046-38	Nut 1/4-20 Hex (SST).....	1
*16	01-400008-00464	Tube – Gas Injection Connection.....	AR
17	01-400005-00810	Bar Assy. – Gas Injection (RH)	1
18	01-400005-00571	Gas Injection Bar Assy. (LH).....	1

* Sold per foot.



AIR REGULATOR AND FILTER

ILLUS.	PART NO.	NAME OF PART	AMT.
PL-59075			
1	NS-047-70	Lock Nut 10-24	2
*2	01-400104-00060	Hose	AR
3	01-400101-00036	Connector – Straight 1/4 x 3/8.	1
4	01-400101-00200	Hose Barb – Straight (1/4 In. MNPT x 1/4 Hose)	1
5	WS-031-61	Washer (SST)	2
6	SC-126-52	Mach. Screw 10-24 x 1 Hex Hd. (SST).....	2
7	01-400114-00245	Gauge – Pressure.....	1
8	01-400101-00036	Connector – Straight 1/4 x 3/8	1
9	01-400114-00147	Regulator – Pressure.....	1
10	01-400114-00170	Support – Pressure Regulator	1
11	NS-018-01	Jam Nut 1/4-20 Hex (SST)	1
12	01-400001-02062	Support – Dryer	1
13	WS-022-21	Washer.....	1
14	SC-129-49	Mach. Screw 1/4-20 x 1/2 Hex Washer Hd. (SST).....	1
15	01-400101-00210	Hose Barb – Straight (1/4 In. FNPT x 1/4 Hose).....	1
16	01-400114-02020	Filter – Dryer	1
17	01-400101-00200	Hose Barb – Straight (1/4 In. MNPT x 1/4 Hose)	1
18	SC-129-49	Mach. Screw 1/4-20 x 1/2 Hex Washer Hd. (SST).....	1
19	WS-022-21	Washer.....	1
20	01-400001-02062	Support – Dryer	1
21	NS-018-01	Jam Nut 1/4-20 Hex (SST)	1

* Sold per foot.