



The Choice of Experience

CATALOG OF
REPLACEMENT PARTS

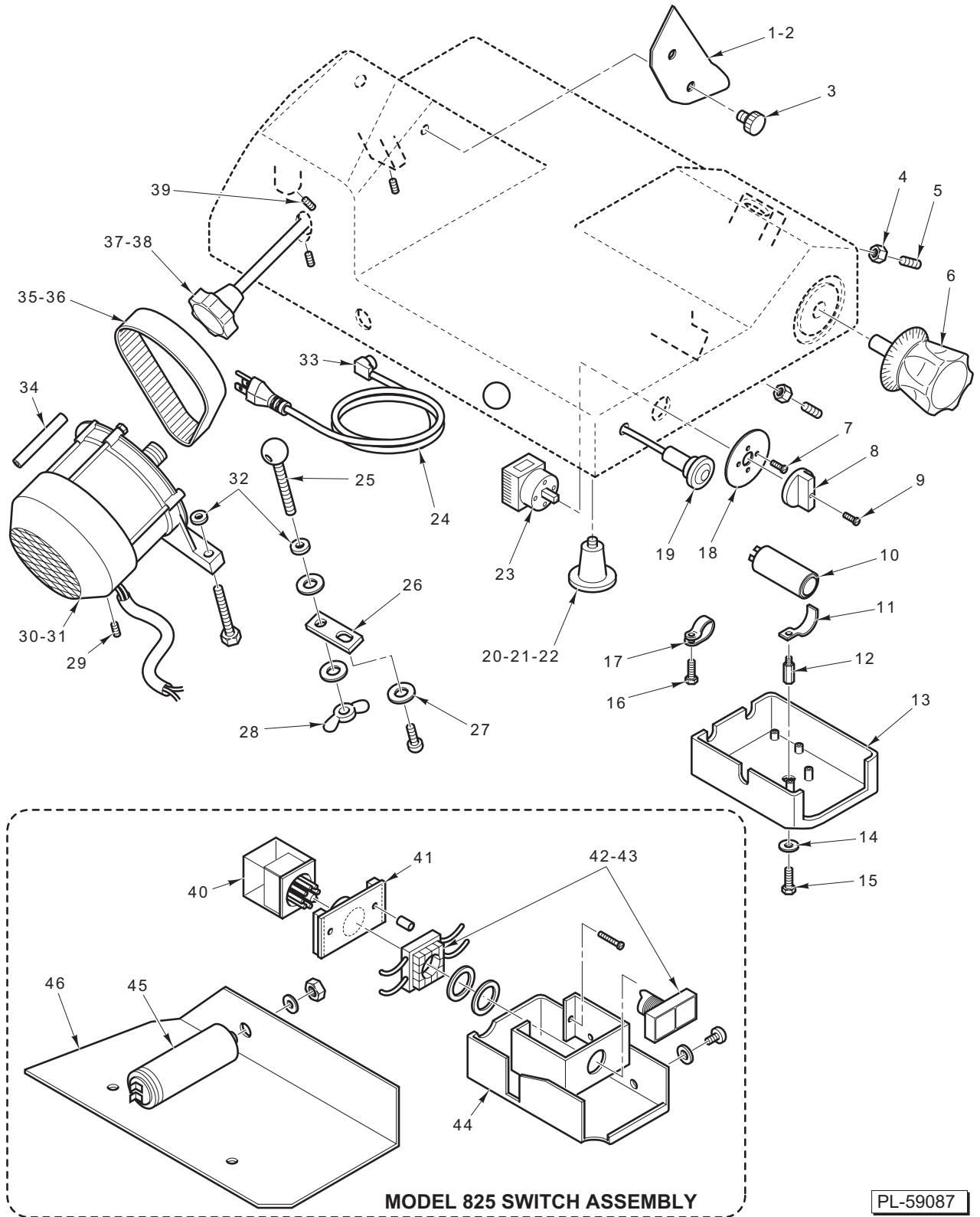


MODEL
825
825A
827E
SLICERS

EFFECTIVE JULY 2009

Table of Contents

5	ELECTRICAL AND HOUSING
7	MEAT TABLE AND CARRIAGE
9	KNIFE AND GAUGE PLATE ASSEMBLY
11	SHARPENER ASSEMBLY



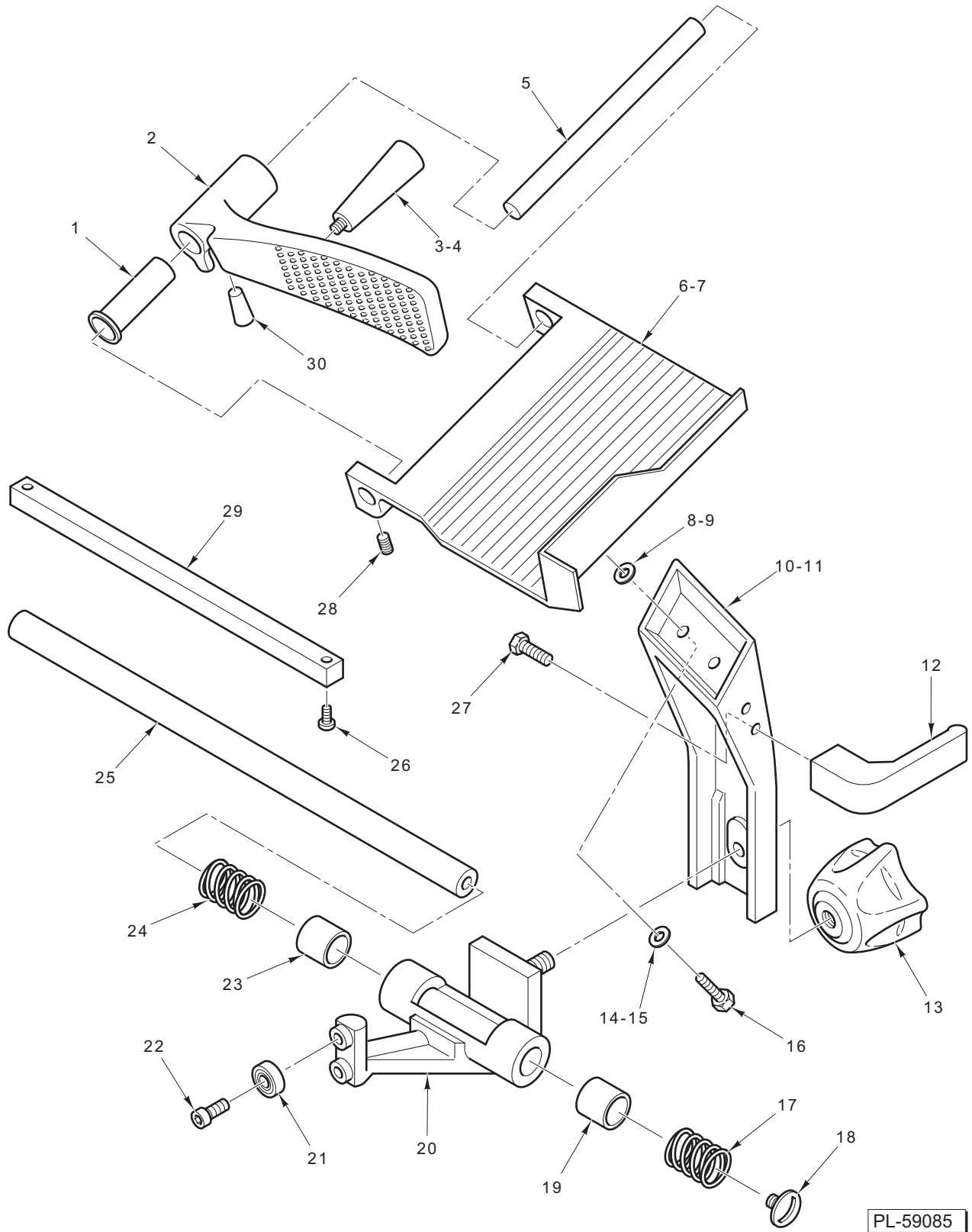
PL-59087

ELECTRICAL AND HOUSING

ELECTRICAL AND HOUSING

ILLUS.	PART NO.	NAME OF PART	AMT.
	PL-59087		
1	01-400825-00011	Deflector – Slicer (825 & 825A)	1
2	01-40827E-00011	Deflector – Slicer (827E).....	1
3	01-400825-00091	Knob – Slice Deflector	1
4	01-402101-07041	Nut (825A & 827E).....	2
5	01-400839-00093	Set Screw	2
6	01-400825-0035A	Knob – Index.....	1
7	01-40827A-00401	Screw (825A & 827E)	1
8	01-40827A-03602	Switch – Knob.....	1
9	01-40827A-00400	Screw (825A & 827E)	1
10	01-400827-00042	Capacitor (825A & 827E).....	1
11	01-400825-00043	Plate – Capacitor (825A & 827E).....	1
12	01-400825-00407	Spacer (825A & 827E).....	1
13	01-400825-00405	Cover – Switch Box (825A & 827E).....	1
14	01-400825-00006	Washer (825A & 827E)	1
15	01-400825-00021	Screw (825A & 827E)	1
16	01-400825-00032	Screw (825A & 827E)	1
17	01-403675-00224	Clamp – Cord (825A & 827E)	1
18	-	Plate – Switch (Included With Item 23).....	1
19	01-400825-00041	Light – Pilot.....	1
20	01-400825-00093	Foot – Rubber (825)	4
21	01-40825A-00093	Foot – Rubber (825A & 827E) (5mm Threads) (Used Before S/N 13000 for 825A & 15451 for 827E).....	4
22	01-40827E-00093	Foot – Rubber (825A & 827E) (6mm Threads) (Used on or After S/N 13000 for 825A & 15451 for 827E).....	4
23	01-40827A-03902	Switch – Rotary (825A & 827E) (Incls. Item 18)	1
24	01-404175-00031	Cord – Power.....	1
25	01-400825-00053	Tie Rod – Motor	1
26	01-400825-00055	Plate – Motor	1
27	01-400823-00400	Washer.....	3
28	01-400825-00056	Nut – Wing.....	1
29	01-400825-00091	Screw.....	4
30	01-400825-0048R	Motor – Ribbed Belt (825) (Used Before S/N 26323 for 825A & 42841 for 827E)	1
31	01-400825-0048N	Motor – New Style (Used on or After S/N 26323 for 825A & 42841 for 827E)	1
32	01-402101-07041	Nut (825A & 827E).....	2
33	01-402675-00562	Clamp – Cord.....	1
34	01-400825-00060	Pin.....	2
35	01-400825-0066B	Belt – Ribbed (Flat).....	1
36	01-400825-00066	Belt – V (2 Needed) (825).....	2
37	01-400825-00075	Tie Rod – Center Plate (825).....	1
38	01-400825-0075A	Tie Rod – Center Plate (825A & 827E).....	1
39	01-400823-00061	Screw – Grub.....	3
40	01-400827-00200	Relay (825)	1
*41	01-400827-00039	Switch Assy. Without Relay (825).....	1
42	01-404975-00404	Switch Assy. – Push Button (825).....	1
43	01-404975-00480	Switch Assy. – Toggle (825).....	1
44	01-400827-00136	Cover – Switch Box (825).....	1
45	01-400827-00042	Capacitor (825).....	1
46	01-400827-00199	Plate – Bottom (825).....	1

* Replacement Kit for Items 40, 42, & 43.



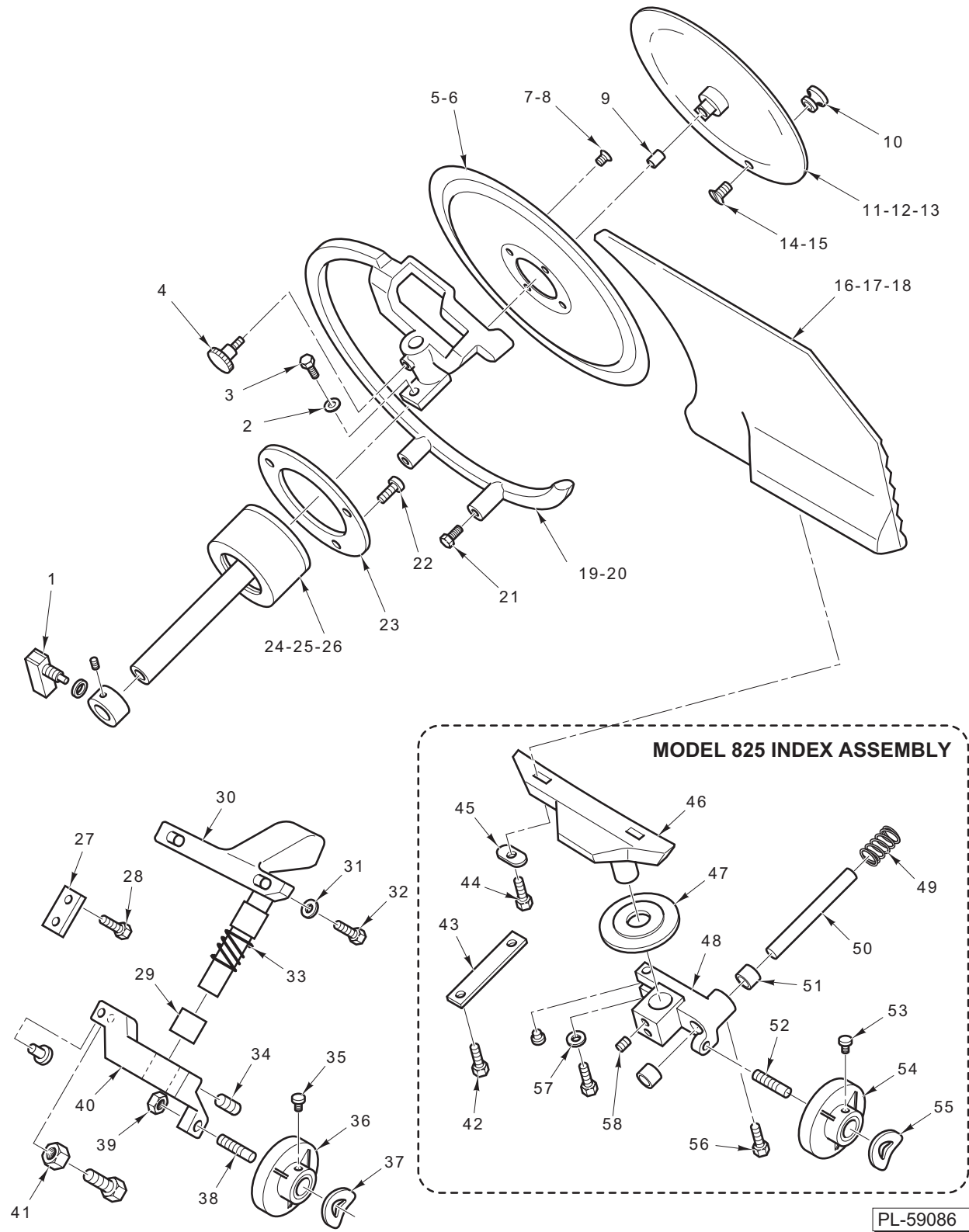
PL-59085

MEAT TABLE AND CARRIAGE

MEAT TABLE AND CARRIAGE

ILLUS. PL-59085	PART NO.	NAME OF PART	AMT.
1	01-400825-00079	Bushing 2 ⁵ / ₈ In. Lg.....	1
2	01-400825-00009	Pusher – Complete.....	1
3	01-400825-0080A	Handle – Pusher (Red) (6mm Threads).....	1
*4	01-400825-080-1	Handle – Pusher (Red) (8mm Threads).....	1
5	01-400825-00084	Shaft.....	1
6	01-400825-00008	Table – Product (825 & 825A).....	1
7	01-40827E-00008	Table – Product (827E).....	1
8	01-400825-00131	Washer (825).....	2
9	01-400825-00006	Washer (825A & 827E).....	2
10	01-400825-00007	Support – Product Table (825).....	1
11	01-40825A-00007	Support – Product Table (825A & 827E).....	1
12	01-400827-0037A	Handle – Carriage.....	1
13	01-400823-0040A	Knob – Carriage (Red).....	1
14	01-400825-00131	Washer (825).....	2
15	01-400825-00006	Washer (825A & 827E).....	2
16	01-400825-00087	Screw.....	2
17	01-400825-00020	Spring.....	1
18	01-400825-00050	Screw.....	1
19	01-400823-00218	Bushing.....	1
20	01-400825-00012	Carriage Assy.....	1
21	01-400825-00015	Bearing.....	2
22	01-400825-00089	Screw.....	2
23	01-400823-00218	Bushing.....	1
24	01-400825-00020	Spring.....	1
25	01-400825-00013	Rail – Round.....	1
26	01-400825-00021	Screw.....	2
27	01-400825-00089	Screw.....	2
28	01-400825-00086	Screw – Grub.....	1
29	01-40825A-00014	Rail – Square (825A & 827E).....	1
30	01-400827-00082	Pad – Wearing.....	1

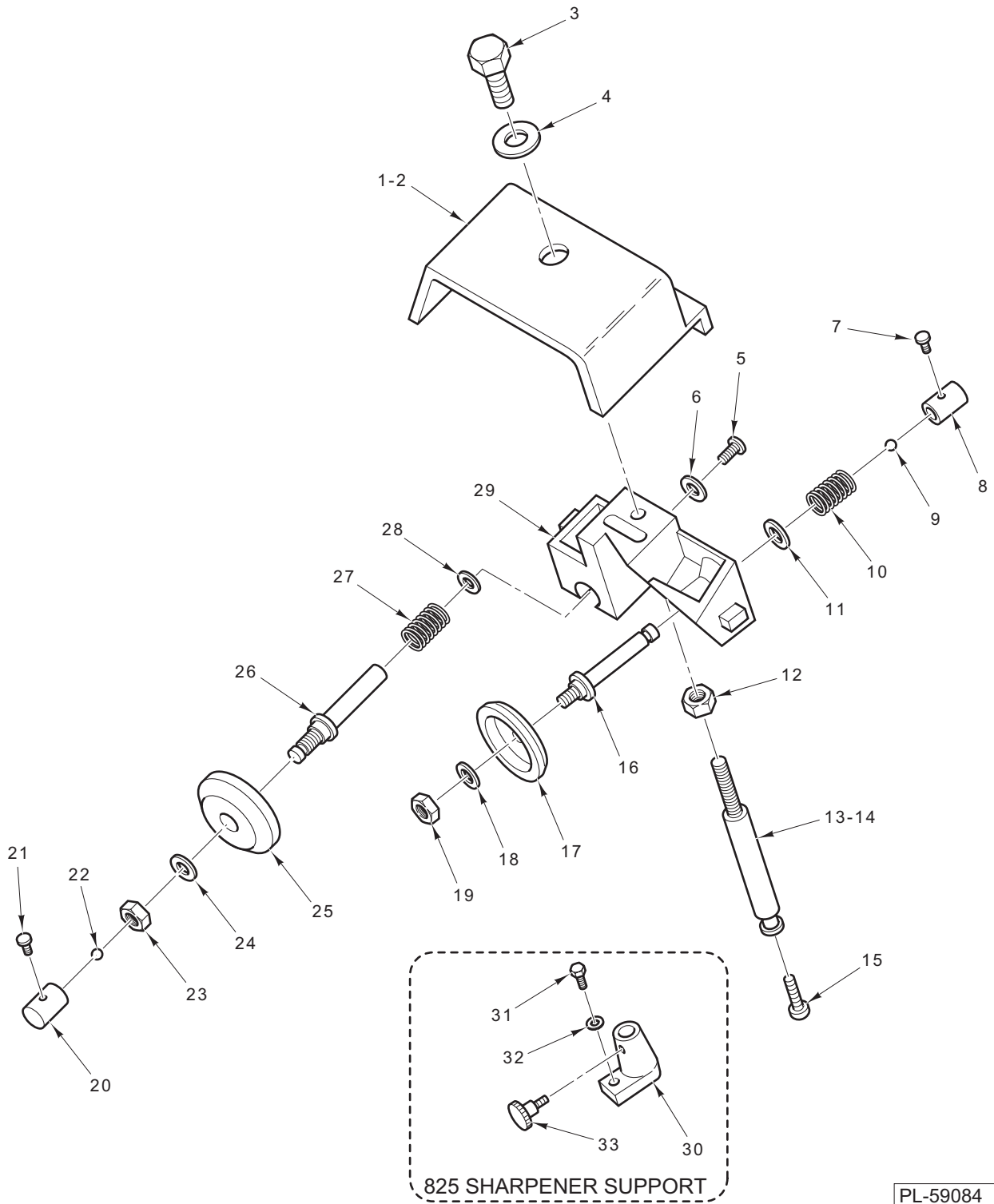
* Use with 825A machines built with serial numbers from 26523, and 827E machines built with serial numbers from 43191.



KNIFE AND GAUGE PLATE ASSEMBLY

KNIFE AND GAUGE PLATE ASSEMBLY

ILLUS. PL-59086	PART NO.	NAME OF PART	AMT.
1	01-400827-00045	Microswitch (825).....	1
2	01-400823-00123	Washer (825A & 827E).....	1
3	01-400825-00101	Screw (825A & 827E).....	1
4	01-400827-0103A	Knob (Red).....	1
5	01-400825-00073	Knife (825 & 825A).....	1
6	01-40827E-00073	Knife (827E).....	1
7	01-400825-00074	Screw – Knife (825 & 825A).....	4
8	01-400827-00074	Screw – Knife (827E).....	4
9	01-400825-00135	Insert – Center Plate.....	1
10	01-400823-00403	Knob – Aluminum (825A & 827E).....	1
11	01-400825-00002	Cover – Blade (825).....	1
12	01-400825-00401	Plate – Center (825A).....	1
13	01-400827-00401	Cover – Blade (827E).....	1
14	01-400825-00074	Screw – Knife.....	1
15	01-400827-00074	Screw – Knife (827E).....	1
16	01-400825-00003	Plate – Gauge (825).....	1
17	01-40825A-00003	Plate – Gauge (825A).....	1
18	01-40827E-00003	Plate – Gauge (827E).....	1
19	01-400825-00408	Guard – Ring (825A).....	1
20	01-40827E-00408	Guard – Ring (827E).....	1
21	01-400825-00021	Screw (825A & 827E).....	2
22	01-400825-00402	Screw (825A & 827E).....	3
23	01-400825-00403	Seal (825A & 827E).....	1
24	01-400825-067-1	Knife Pulley Assy. – Flat Belt (825 & 825A).....	1
25	01-40827E-00067	Knife Pulley Assy. – Flat Belt (827E).....	1
26	01-400825-00067	Knife Pulley Assy. (For 2 V-Belts) (825).....	1
27	01-40825A-00026	Plate (825A & 827E).....	1
28	01-400825-00021	Screw (825A & 827E).....	2
29	01-400825-00140	Bushing (825A & 827E).....	2
30	01-40825A-00004	Support – Gauge Plate (825A & 827E).....	1
31	01-403301-03812	Washer (825A & 827E).....	2
32	01-400825-00089	Screw (825A & 827E).....	2
33	01-40825A-00024	Spring (825A & 827E).....	1
34	01-400827-00031	Screw – Grub (825A & 827E).....	1
35	01-400825-00021	Screw (825A & 827E).....	1
36	01-40825A-00025	Cam (825A & 827E).....	1
37	01-400827-00095	Washer (825A & 827E).....	1
38	01-400825-00027	Pin – Cam (825A & 827E).....	1
39	01-402101-07041	Nut (825A & 827E).....	1
40	01-40825A-00022	Support (Incls. Grub Screw, Brass Screw, & Nylon Pin) (825A & 827E).....	1
41	01-402101-07041	Nut (825A & 827E).....	1
42	01-400825-00021	Screw (825).....	2
43	01-400827-00026	Plate (825).....	1
44	01-400827-00005	Screw (825).....	2
45	01-400825-00006	Washer (825).....	2
46	01-400825-00004	Support – Gauge Plate (825).....	1
47	01-400825-00162	Ring – Rubber (825).....	1
48	01-400825-00022	Support (Incls. Grub Screw, Brass Screw, & Nylon Pin) (825).....	1
49	01-400825-00024	Spring (825).....	1
50	01-400825-00023	Pin (825).....	1
51	01-400825-00140	Bushing (825).....	1
52	01-400825-00027	Pin – Cam (825).....	1
53	01-400825-00021	Screw (825).....	1
54	01-400825-00025	Cam (825).....	1
55	01-400825-00095	Washer (825).....	1
56	01-400825-00031	Screw – Grub (825).....	1
57	01-402101-07041	Nut (825).....	1
58	01-400827-00031	Screw – Grub.....	1



SHARPENER ASSEMBLY

SHARPENER ASSEMBLY

ILLUS. PL-59084	PART NO.	NAME OF PART	AMT.
1	01-40825A-00010	Cover – Sharpener (Aluminum).....	1
2	01-400823-00400	Cover – Sharpener (Plastic)	1
3	01-400825-00122	Screw.....	1
4	01-400823-00123	Washer.....	1
5	01-402101-02109	Screw.....	1
6	01-403301-03812	Washer.....	1
7	01-400825-00118	Screw.....	1
8	01-400823-00401	Button – Push	1
9	01-402375-00150	Ball 1/8.....	1
10	01-400825-00117	Spring	1
11	01-403301-03812	Washer.....	1
12	01-402101-07041	Nut	1
13	01-400825-00104	Shaft – Sharpener (825 & 825A)	1
14	01-40827A-00104	Shaft – Sharpener (827E).....	1
15	01-400825-00021	Screw.....	1
16	01-400825-00109	Shaft	1
17	01-400825-00112	Stone	1
18	01-403301-03812	Washer.....	1
19	01-402175-00387	Nut	1
20	01-400825-00115	Button – Push	1
21	01-400825-00118	Screw.....	1
22	01-402375-00150	Ball 1/8.....	1
23	01-402175-00387	Nut	1
24	01-403301-03812	Washer.....	1
25	01-400825-00112	Stone	1
26	01-400825-00110	Shaft	1
27	01-400825-00117	Spring	1
28	01-403301-03812	Washer.....	1
29	01-400825-00108	Frame – Sharpener.....	1
30	01-400827-00100	Support (825).....	1
31	01-400825-00101	Screw (825)	1
32	01-400823-00123	Washer (825)	1
33	01-400827-0130A	Knob (825).....	1
	01-412062-00RED	Logo – Berkel (Not Shown).....	1
	01-4V6371	Screw (For Berkel Logo) (Not Shown).....	1
	01-400825-00130	Sharpener Assy. (Incls. Cover) (825 & 825A)	1
	01-40827A-00130	Sharpener Assy. (Incls. Cover) (827E).....	1

