



CATALOG OF  
REPLACEMENT PARTS



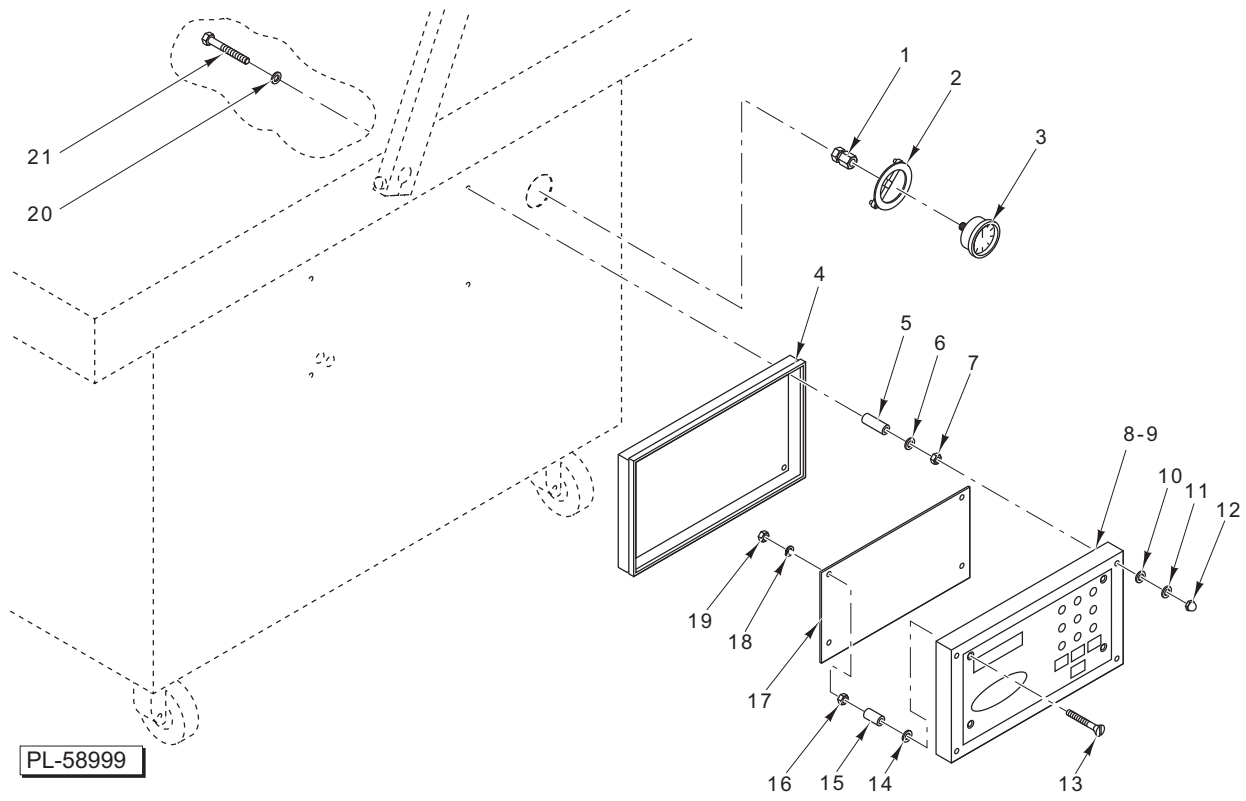
MODEL  
420A VACUUM  
PACKAGE MACHINES

EFFECTIVE APRIL 2010



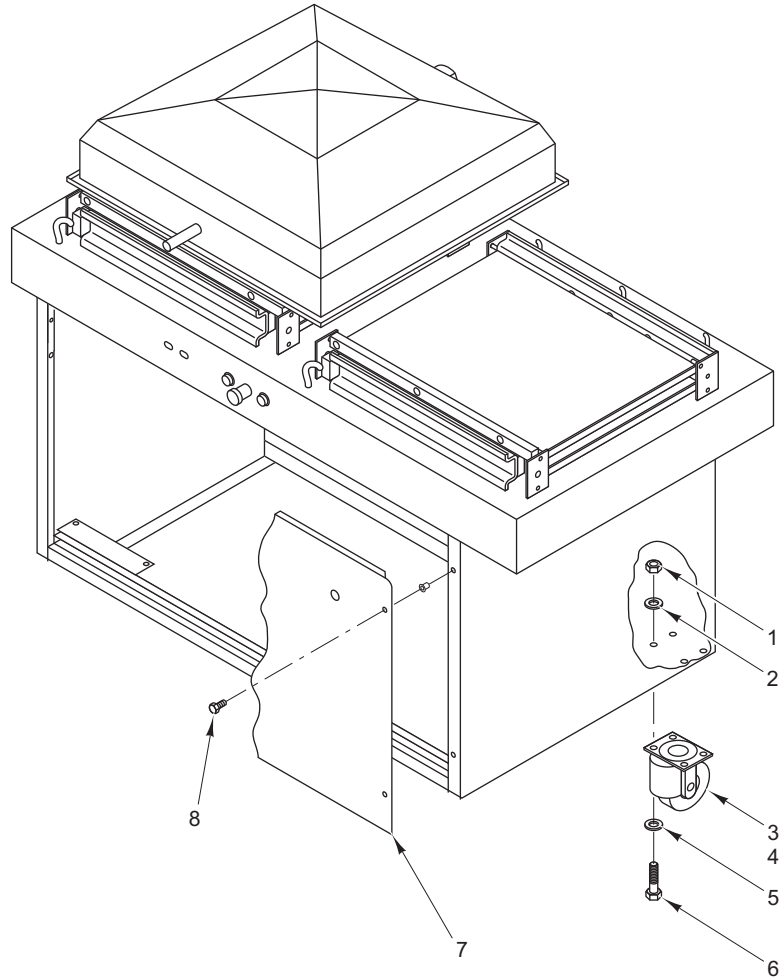
### Table of Contents

4	CONTROL PANEL
5	BASE
7	ELECTRICAL COMPONENTS
9	COVER AND TABLE ASSEMBLY
11	SEAL BAR AND GUIDE ASSEMBLY
12	PUMP ASSEMBLY
13	FILTER DRYER ASSEMBLY
15	GAS INJECTION
16	SEAL BAR PRE-ASSEMBLY



**CONTROL PANEL**

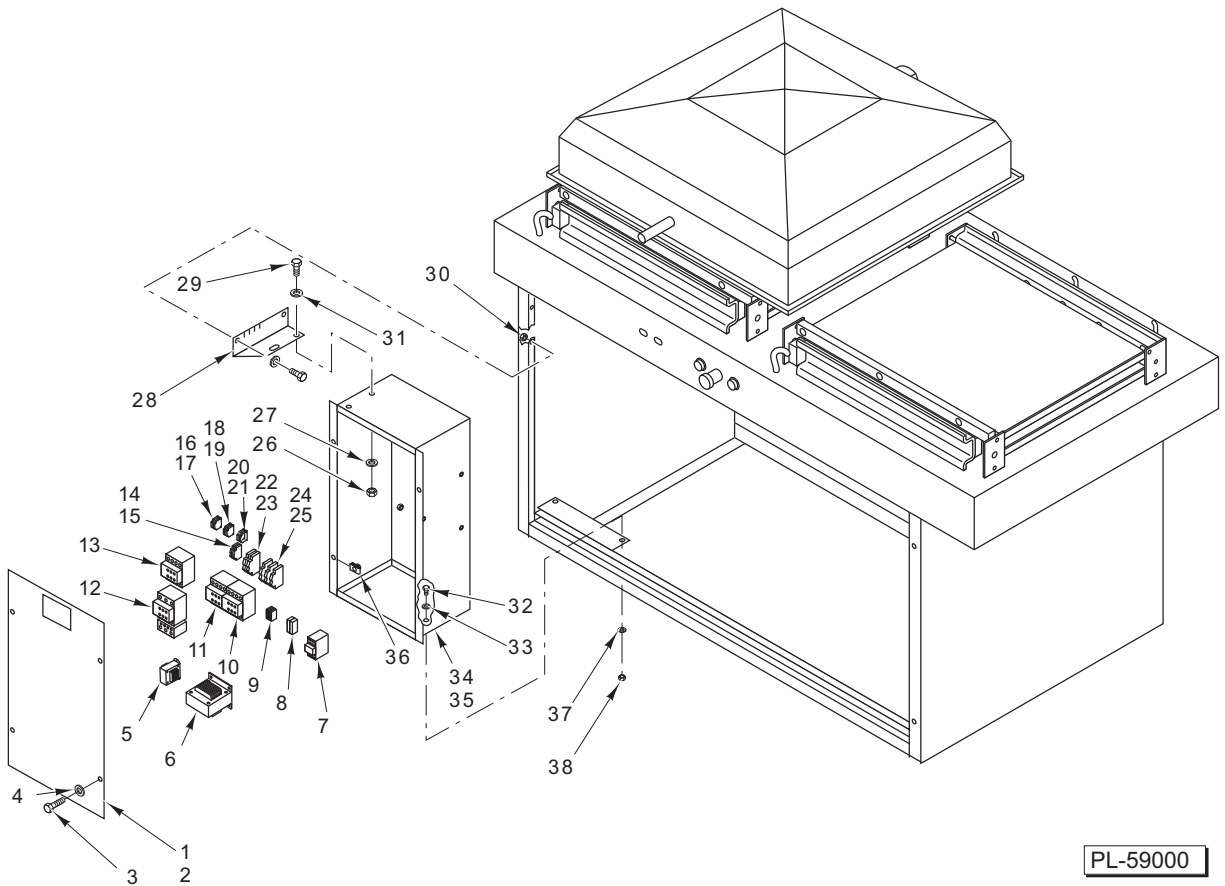
ILLUS.	PART NO.	NAME OF PART	AMT.
	PL-58999		
1	01-400101-00038	Fitting – Straight 1/4 FNPT x 3/8 In. T-P Comp. (Brass) .....	1
2	01-400001-01869	Washer – Holding .....	1
3	01-400114-00260	Gauge – Vacuum (Incls. Item 2) .....	1
4	01-400005-00584	Support Assy. – Rear .....	1
5	01-400058-00140	Spacer .....	4
6	WL-003-38	Lockwasher 1/4 Helical .....	4
7	NS-046-38	Nut 1/4-20 Hex (SST) .....	4
8	01-400033-00018	Keyboard – Berkel .....	1
9	01-400005-00583	Support Assy. – PC Board .....	1
10	WS-022-21	Washer .....	4
11	WL-006-17	Lockwasher 1/4 Helical (SST) .....	4
12	NS-049-18	Acorn Nut 1/4-20 (SST) .....	4
13	SC-111-87	Mach. Screw 4-40 x 1 3/8 Phil. Pan Hd. ....	4
14	WS-023-22	Washer (SST) .....	4
15	01-400058-00120	Spacer .....	4
16	NS-011-01	Nut 4-40 Hex (SST) .....	4
17	01-400033-00385	PC Board .....	1
18	WL-008-45	Lockwasher #4 Internal (SST) .....	4
19	NS-011-01	Nut 4-40 Hex (SST) .....	4
20	WS-022-21	Washer .....	4
21	SC-036-15	Cap Screw 1/4-20 x 3 1/4 Hex Hd. ....	4



PL-59417

**BASE**

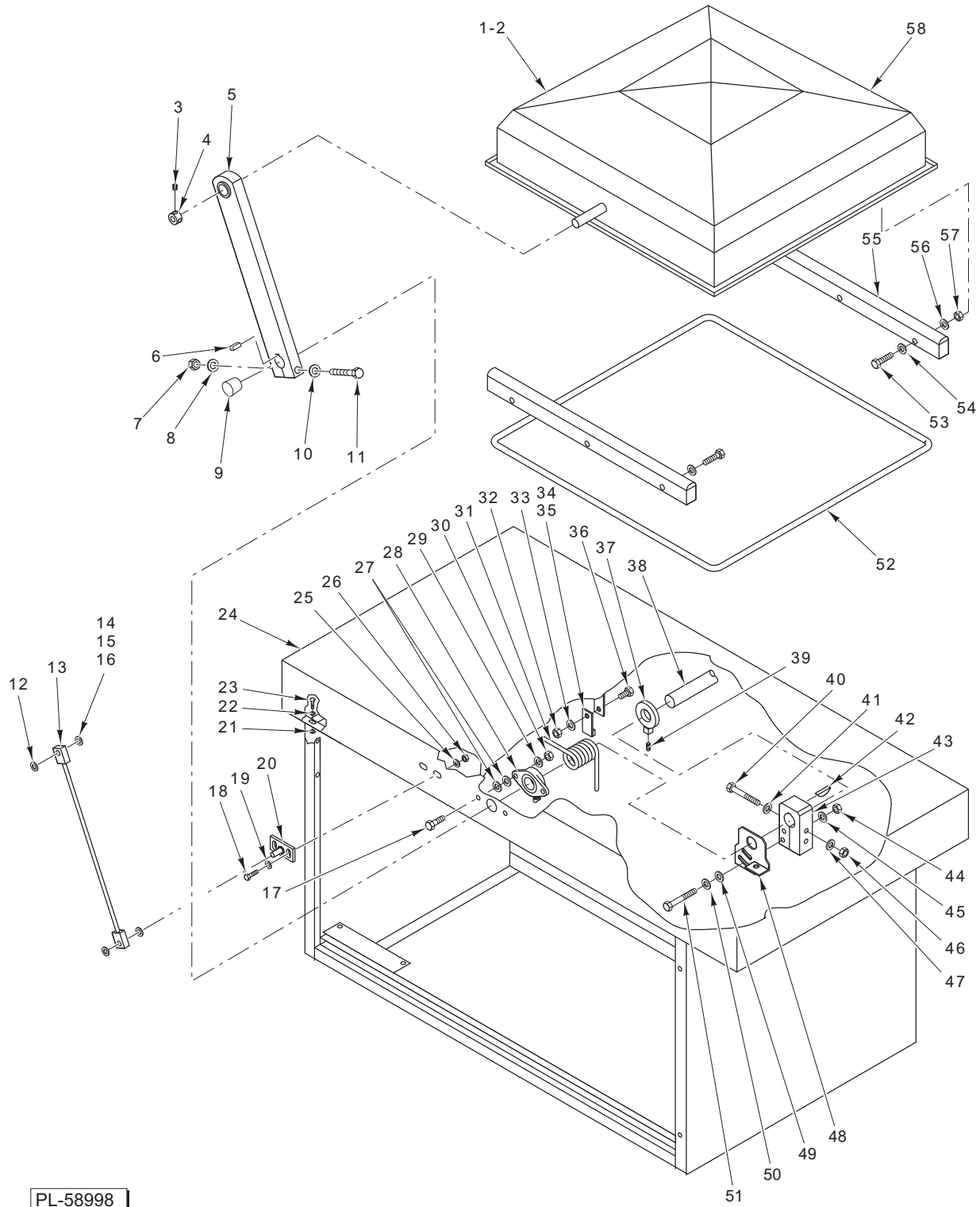
ILLUS.	PART NO.	NAME OF PART	AMT.
1	NS-018-06	Jam Nut <sup>5</sup> / <sub>16</sub> -18 Hex (SST).....	16
2	WL-003-47	Lockwasher <sup>5</sup> / <sub>16</sub> Helical .....	16
3	01-400130-04PHB	Caster – Swivel With Brake (4 In.).....	2
4	01-400130-04PH0	Caster – Swivel Without Brake (4 In.).....	2
5	WL-003-47	Lockwasher <sup>5</sup> / <sub>16</sub> Helical .....	16
6	SC-114-72	Mach. Screw <sup>5</sup> / <sub>16</sub> -18 x <sup>1</sup> / <sub>2</sub> Hex Hd. ....	16
7	01-400004-00286	Panel – Rear Pre-Assy.....	1
8	SC-028-14	Mach. Screw <sup>1</sup> / <sub>4</sub> -20 x <sup>3</sup> / <sub>4</sub> Slotted Round Hd. (Brass) .....	4
	01-400005-00319	Panel Assy. – Front.....	1



**ELECTRICAL COMPONENTS**

## ELECTRICAL COMPONENTS

ILLUS. PL-59000	PART NO.	NAME OF PART	AMT.
1	01-400004-00281	Cover – Electrical Box Pre-Assy. ....	1
2	01-400004-00279	Cover – Electrical Box Pre-Assy. ....	1
3	SC-129-49	Mach. Screw 1/4-20 x 1/2 Hex Washer Hd. (SST).....	AR
4	WS-022-21	Washer.....	AR
5	01-400029-00009	Transformer (65 VAC) (208-230 V. to 24-9 V.).....	1
6	01-400029-00040	Transformer (500 VAC) (208-240 V. to 24 V.).....	1
7	01-400025-00030	Contactor (110 V.) (Motor).....	1
8	-	Fuse.....	1
9	-	Fuse.....	1
10	01-400025-00025	Contactor.....	1
11	01-400025-00610	Contactor.....	1
12	01-400025-00180	Contactor.....	1
13	01-400025-00600	Relay (650 Amp.).....	1
14	01-400034-00755	Holder – Fuse (1-Pole) (600 V., 30 Amp.).....	1
15	01-400034-00450	Fuse (250 V., 7 Amp.).....	1
16	01-400034-00740	Holder – Fuse.....	1
17	01-400034-00240	Fuse (250 V., 4 Amp.).....	1
18	01-400034-00740	Holder – Fuse.....	1
19	01-400034-00210	Fuse (250 V., 2 Amp.).....	1
20	01-400034-00740	Holder – Fuse.....	1
21	01-400034-00200	Fuse (250 V., 0.75 Amp.).....	1
22	01-400034-00755	Holder – Fuse (1-Pole) (600 V., 30 Amp.).....	1
23	01-400034-00500	Fuse (250 V., 15 Amp.).....	1
24	01-400034-00755	Holder – Fuse (1-Pole) (600 V., 30 Amp.).....	1
25	01-400034-00530	Fuse (250 V., 20 Amp.).....	1
26	NS-041-04	Lock Nut 1/4-20 Hex (SST).....	2
27	WS-022-21	Washer (SST).....	AR
28	01-400001-01364	Support – Upper Left Electrical Box.....	1
29	SC-129-49	Mach. Screw 1/4-20 x 1/2 Hex Washer Hd. (SST).....	AR
30	NS-018-01	Jam Nut 1/4-20 Hex (SST).....	1
31	WS-022-21	Washer.....	AR
32	SC-024-02	Mach. Screw 1/4-20 x 3/4 Slotted Fil. Hd. (SST).....	2
33	WS-022-21	Washer.....	AR
34	01-400005-00035	Box Assy. – Electrical.....	1
35	01-400005-00374	Box Assy. – Electrical.....	1
36	00-129389	Speed Nut.....	4
37	WL-003-38	Lockwasher 1/4 Helical.....	AR
38	NS-018-01	Jam Nut 1/4-20 Hex (SST).....	3
	01-400029-00010	Transformer – Control (220 V.).....	1
	01-400026-00610	Limit Switch (550 Amp.).....	1
	01-400033-00385	Control Board (MC-40).....	1



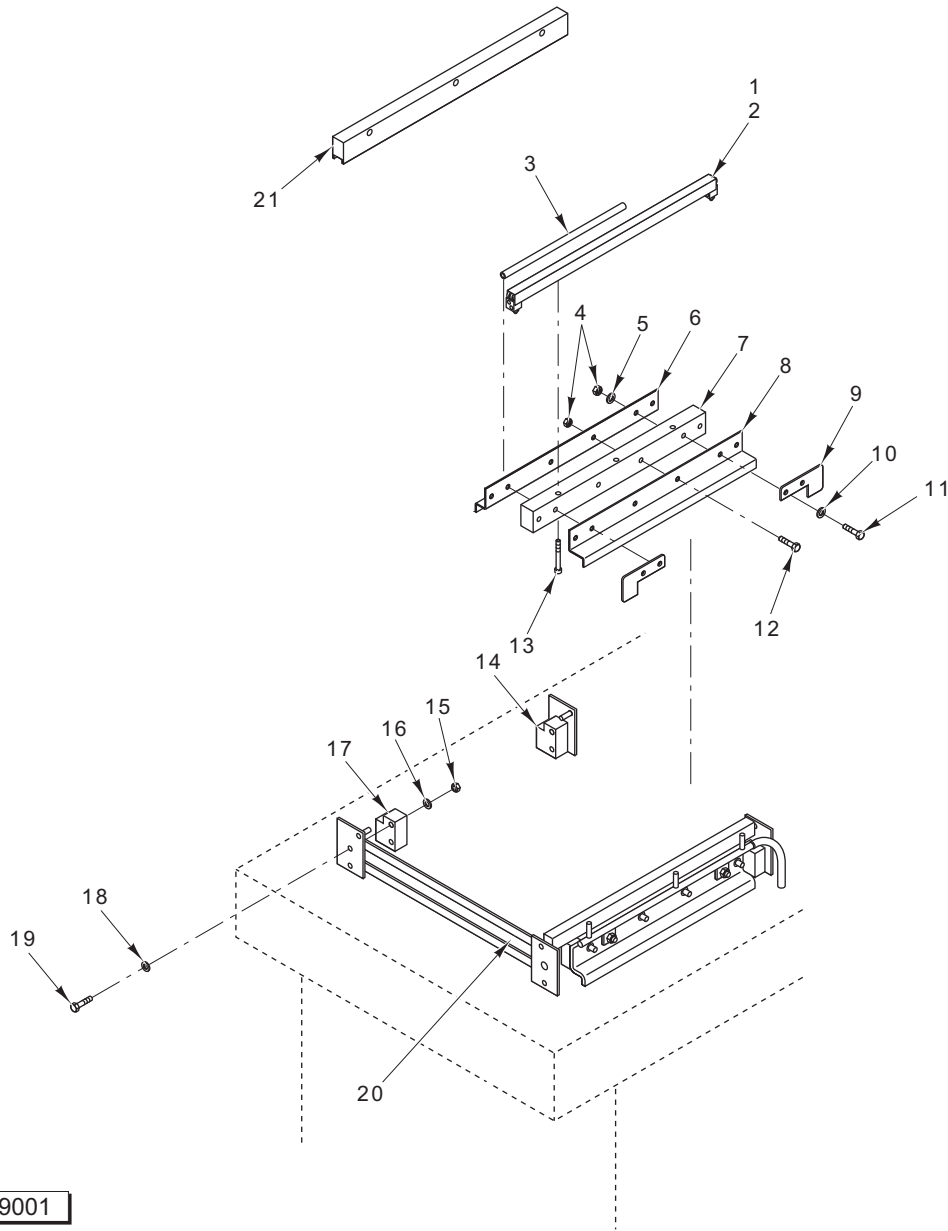
**COVER AND TABLE ASSEMBLY**



## COVER AND TABLE ASSEMBLY

ILLUS. PL-58998	PART NO.	NAME OF PART	AMT.
1	01-400005-00455	Cover Assy. (Incls. Items 52 thru 58) .....	1
2	01-400005-00476	Cover Assy. (Plexi Option) .....	1
3	SC-055-02	Set Screw 1/4-20 x 1/4 Hex Hdls., Cup Pt. (SST) .....	2
4	01-400002-00390	Collar .....	2
5	01-400004-00348	Cover Assy. – Arm .....	2
6	01-400056-00167	Key .....	2
7	NS-009-43	Nut 3/8-16 Hex .....	2
8	WS-018-22	Washer .....	2
9	01-400057-00013	End Cap – Central Shaft .....	2
10	WS-018-22	Washer .....	2
11	SC-012-24	Mach. Screw 3/8-16 x 3 1/4 Slotted Fil. Hd. (SST) .....	2
12	WS-018-22	Washer .....	2
13	01-400004-01393	Guide Assy. – Arm .....	1
14	01-400058-00050	Spacer .....	2
15	01-400058-00060	Spacer .....	2
16	01-400056-00331	Ring – Retaining .....	2
17	SC-119-68	Mach. Screw 1/2-13 x 1 3/4 Slotted Flat Hd. (SST) .....	2
18	SC-126-17	Mach. Screw 3/8-16 x 1 Phil. Truss Hd. (SST) .....	2
19	WS-018-22	Washer .....	2
20	01-400005-00317	Shaft Assy. – Guide Arm .....	1
21	NS-009-43	Nut 3/8-16 Hex .....	1
22	WS-018-22	Washer .....	1
23	SC-067-16	Mach. Screw 3/8-16 x 1 Slotted Hex Hd. (SST) .....	1
24	01-400005-00327	Table Assy. .....	1
25	WS-018-22	Washer .....	2
26	NS-009-43	Nut 3/8-16 Hex .....	2
27	01-400001-01542	Spacer – Pillow Block .....	4
28	01-400075-01650	Bearing – Flanged With Grease Fitting .....	1
29	WS-020-06	Washer .....	2
30	NS-017-27	Jam Nut 1/2-13 Hex .....	2
31	01-400008-00319	Spring – Central Shaft .....	1
32	NS-018-01	Jam Nut 1/4 -20 Hex (SST) .....	2
33	WL-003-38	Lockwasher 1/4 Helical .....	1
34	01-400001-01294	Plate – Micro-Switch Fixation .....	1
35	01-400026-00610	Switch – Limit .....	1
36	SC-129-49	Mach. Screw 1/4-20 x 1/2 Hex Washer Hd. (SST) .....	1
37	01-400005-00154	Collar – Micro Switch .....	1
38	01-400002-00324	Shaft – Central .....	1
39	SC-055-03	Set Screw 3/8-16 x 3/8 Hex Hdls., Cup Pt. (SST) .....	1
40	-	Mach. Screw 3/8-24 x 3 Hex Hd. (SST) .....	2
41	WL-006-28	Lockwasher 3/8 Helical (SST) .....	2
42	00-128530	Key 1/4 x 3 .....	1
43	01-400002-00319	Block – Spring .....	1
44	NS-017-20	Jam Nut 3/8-24 Hex .....	2
45	WL-006-28	Lockwasher 3/8 Helical (SST) .....	2
46	NS-017-20	Jam Nut 3/8-24 Hex .....	2
47	WL-006-28	Lockwasher 3/8 Helical (SST) .....	2
48	01-400004-01071	Support Assy. – Spring .....	1
49	WS-018-22	Washer .....	2
50	WL-006-28	Lockwasher 3/8 Helical (SST) .....	2
51	SC-036-79	Mach. Screw 3/8-24 x 2 3/4 Slotted Hex Hd. .....	2
*52	01-400179-00020	Sponge – Neoprene (9 Ft.) .....	AR
53	01-400051-00255	Bolt 1/4-20 x 1 3/4 (SST) .....	6
54	01-400051-00740	Washer .....	6
55	01-400004-00126	Seal Bar Pre-Assy. – Upper .....	2
56	01-400051-00740	Washer .....	6
57	01-400051-00581	Lock Nut 1/4-20 Hex (SST) .....	6
58	01-400004-00238	Cover – Exterior Pre-Assy. .....	1
	01-400004-00124	Shaft Assy. – Central .....	1
	01-400002-00318	Shaft .....	1

\* Sold Per Foot.

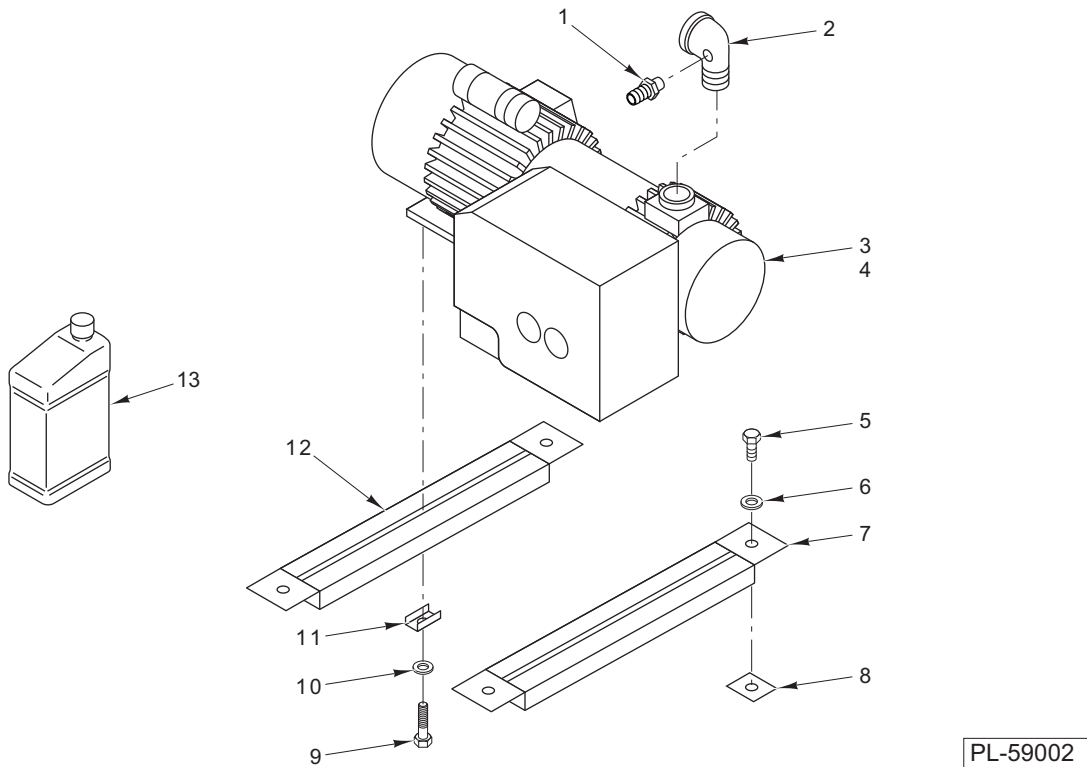


**SEAL BAR AND GUIDE ASSEMBLY**

## SEAL BAR AND GUIDE ASSEMBLY

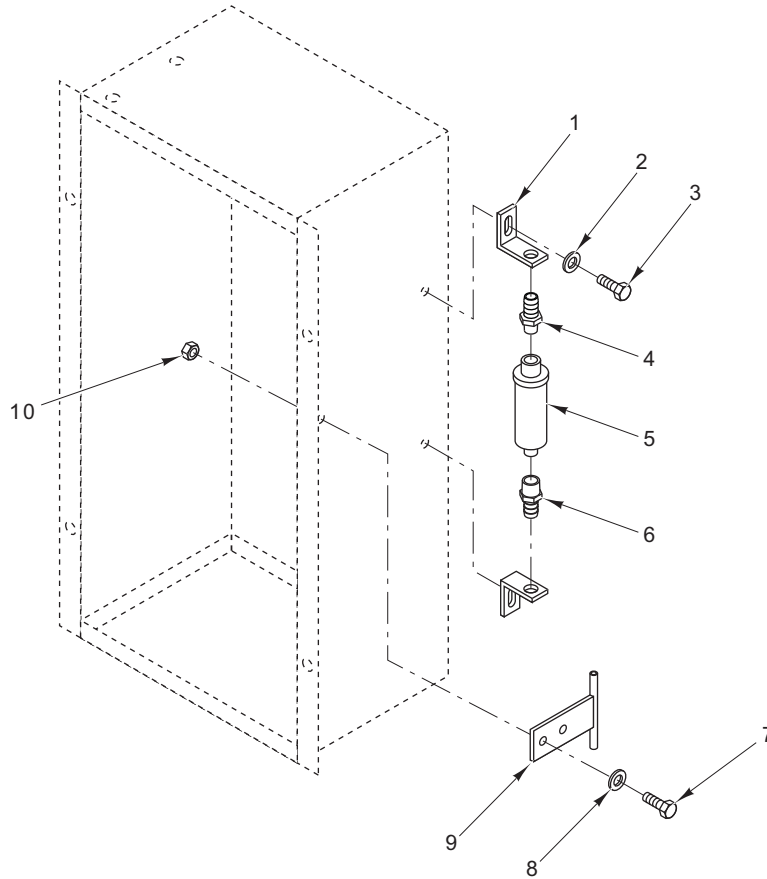
ILLUS.	PART NO.	NAME OF PART	AMT.
PL-59001			
1	01-400005-00267	Bar Sub-Assy. (Double Seal-No Cut).....	1
2	01-400005-00382	Bar Sub-Assy. (With Bag Cutting Option) .....	1
*3	01-400038-00230	Duct – Wiring With Adhesive .....	AR
4	NS-018-01	Jam Nut 1/4-20 (SST).....	4
5	WS-022-21	Washer.....	4
6	01-400001-01952	Cover – Exterior Bellows .....	1
7	01-400002-00509	Support – Seal Bar .....	1
8	01-400001-01953	Cover – Interior Bellows.....	1
9	01-400001-00269	Guide – Seal Bar .....	2
10	WS-022-21	Washer.....	4
11	SC-041-04	Cap Screw 1/4-20 x 1 3/4 Hex Hd. (SST) .....	4
12	SC-041-07	Cap Screw 1/4-20 x 1 1/2 Hex Hd. (SST) .....	2
13	SC-040-97	Cap Screw 1/4-20 x 1 3/4 Hex Socket Hd. (SST) .....	3
14	01-400002-00327	Block – Right Seal Bar Guide .....	2
15	NS-041-04	Lock Nut 1/4-20 (SST).....	2
16	WL-003-38	Lockwasher 1/4 Helical.....	2
17	01-400002-00326	Block – Left Seal Bar Guide.....	2
18	WL-003-38	Lockwasher 1/4 Helical.....	2
19	SC-041-07	Cap Screw 1/4-20 x 1 1/2 Hex Hd. (SST) .....	2
20	01-400005-00333	Plate Assy. – Filler.....	4
21	01-400004-00126	Upper Seal Bar Assy. ....	2
	01-400005-00046	Seal Bar Assy. – Double Seal (Incls. Items 1 & 3 thru 13).....	4
	01-400005-00558	Seal Bar Assy. – With Bag Cut (Incls. Items 2 thru 13).....	4

\* Sold per foot.



**PUMP ASSEMBLY**

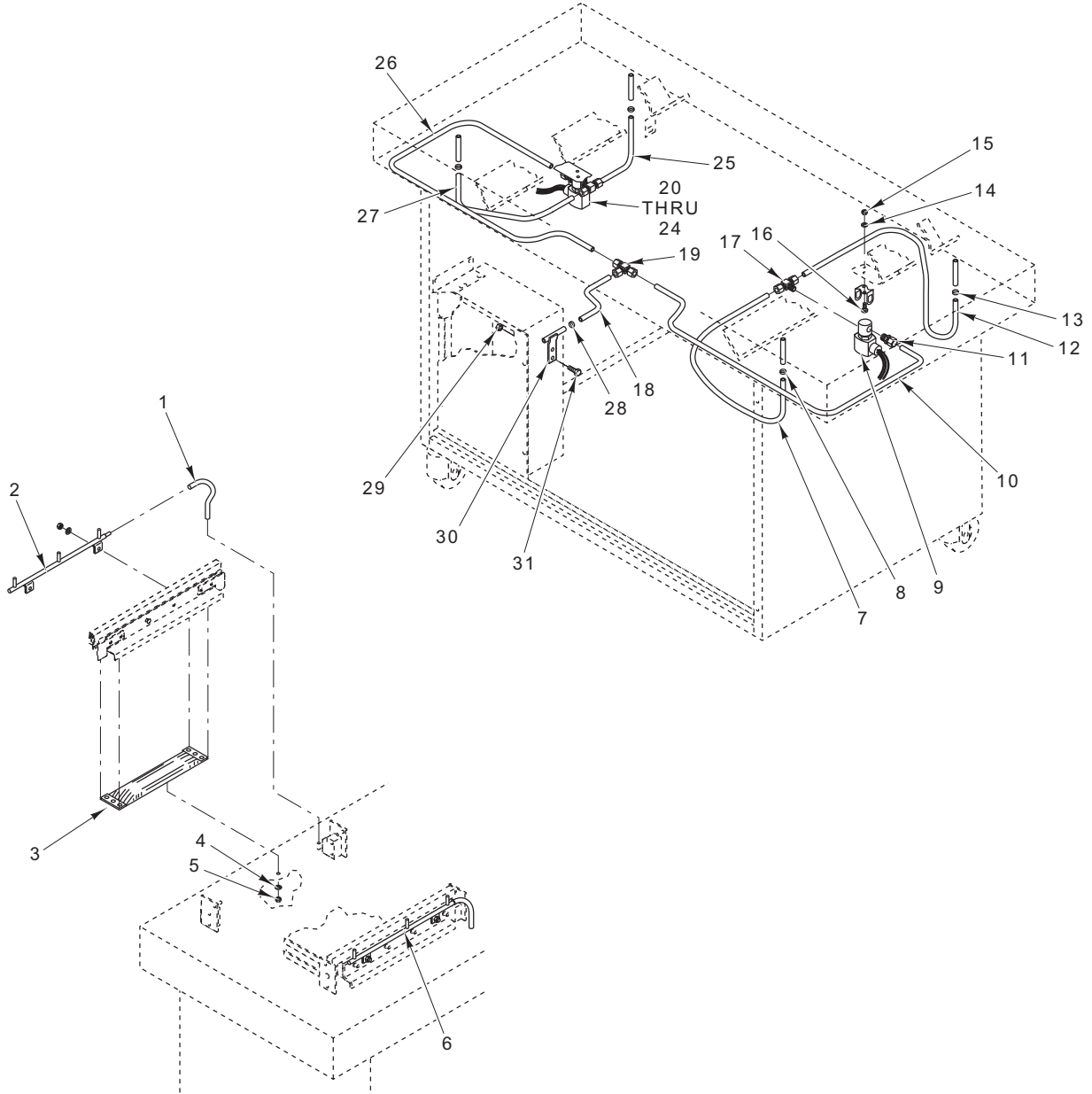
ILLUS.	PART NO.	NAME OF PART	AMT.
PL-59002			
1	01-400101-00190	Hose Barb .....	1
2	01-400003-00074	Elbow – Bellows Connector .....	1
3	01-400125-00030	Pump (40 M3/H-2 Hp.).....	1
4	01-400125-00040	Pump (63 M3/H-3 Hp.).....	1
5	SC-120-63	Mach. Screw 3/8-16 x 3/4 Hex Hd. ....	4
6	WL-006-28	Lockwasher 3/8 Helical (SST) .....	4
7	01-400005-00330	Pump Support Assy.....	1
8	01-400005-00088	Support Plate Assy. – Pump .....	4
9	SC-118-73	Cap Screw M8 x 1.5 x 30mm Hex Hd. (SST) .....	4
10	WL-006-28	Lockwasher 3/8 Helical (SST) .....	4
11	01-400001-00199	Support .....	4
12	01-400005-00330	Pump Support Assy.....	1
13	01-401875-00109	Oil – Synthetic Vacuum (15 Wt., 1 Qt.) .....	AR
	01-404975-09408	Kit – Soft Air .....	1



PL-59003

**FILTER DRYER ASSEMBLY**

ILLUS.	PART NO.	NAME OF PART	AMT.
PL-59003			
1	01-400001-02062	Support – Dryer .....	2
2	WL-003-38	Lockwasher 1/4 Helical.....	2
3	SC-129-49	Mach. Screw 1/4-20 x 1/2 Hex Washer Hd. (SST).....	2
4	01-400101-00200	Hose Barb – Straight (1/4 In. MNPT x 1/4 Hose).....	1
5	01-400114-02020	Filter – Dryer .....	1
6	01-400101-00210	Hose Barb – Straight (1/4 In. FNPT x 1/4 Hose).....	1
7	SC-129-49	Mach. Screw 1/4-20 x 1/2 Hex Washer Hd. (SST).....	1
8	WL-003-38	Lockwasher 1/4 Helical.....	1
9	01-400005-00323	Gas Inlet Assy. ....	1
10	NS-041-04	Lock Nut 1/4-20 Hex (SST) .....	1



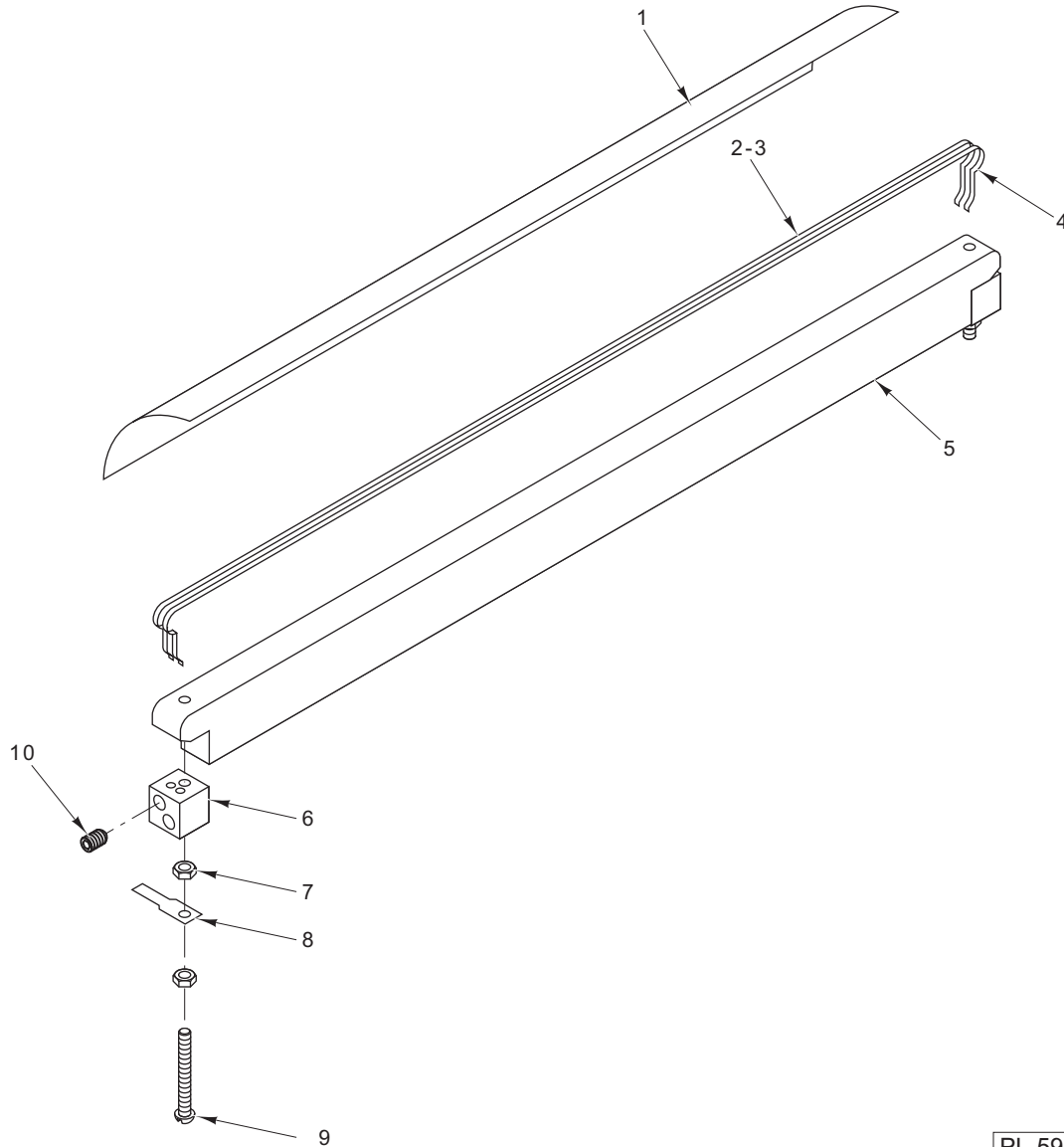
PL-59004

### GAS INJECTION

## GAS INJECTION

ILLUS.	PART NO.	NAME OF PART	AMT.
	PL-59004		
*1	01-400008-00464	Tube – Gas Injection Connection.....	AR
2	01-400005-00807	Bar Assy. – Rear Gas Injection .....	2
3	01-400005-00331	Bellows Assy. ....	4
4	WL-003-38	Lockwasher 1/4 Helical.....	4
5	NS-009-43	Nut 3/8-16 Hex .....	4
6	01-400005-00042	Bar Assy. – Front Gas Injection.....	2
*7	01-400104-00060	Hose .....	AR
8	01-400105-00200	Collar .....	1
9	01-400106-00010	Valve – Solenoid .....	1
*10	01-400104-00060	Hose .....	AR
11	01-400101-00036	Fitting .....	1
*12	01-400104-00060	Hose .....	AR
13	01-400105-00200	Collar .....	1
14	WL-008-07	Lockwasher #8 Internal.....	2
15	NS-011-12	Nut 8-32 Hex (SST) .....	2
16	SC-120-35	Mach. Screw 8-32 x 3/8 Phil. Pan Hd. (SST) .....	2
17	01-400101-00065	Tee .....	1
*18	01-400104-00060	Hose .....	AR
19	01-400101-00062	Clamp – Tee.....	1
20	01-400106-00010	Valve – Solenoid .....	1
21	01-400101-00036	Fitting .....	1
22	SC-120-35	Mach. Screw 8-32 x 3/8 Phil. Pan Hd. (SST) .....	2
23	WL-008-07	Lockwasher #8 Internal.....	2
24	NS-011-12	Nut #8-32 Hex (SST) .....	2
*25	01-400104-00060	Hose .....	AR
*26	01-400104-00060	Hose .....	AR
*27	01-400104-00060	Hose .....	AR
28	01-400105-00200	Collar .....	1
29	NS-018-01	Jam Nut 1/4-20 Hex (SST) .....	1
30	01-400005-00323	Insert.....	1
31	SC-129-49	Mach. Screw 1/4-20 x 1/2 Hex Washer Hd. ....	1
32	01-400105-00200	Collar .....	1
	01-400106-00030	Valve – Vacuum (Atmosphere) .....	2
	01-400106-00050	Valve – Vacuum (Atmosphere) .....	1
	01-400106-00070	Valve – Solenoid (Bellows) .....	1
	01-400106-10260	Valve – Solenoid .....	1
	01-400114-00147	Regulator – Pressure.....	1
	01-400114-00245	Gauge – Pressure.....	1
	01-400114-00170	Support – Pressure Regulator .....	1
	01-404975-09409	Kit – Gas Flush .....	1
	01-400106-00310	Kit – Rebuild .....	1

\* Sold per foot.



PL-59005

**SEAL BAR PRE-ASSEMBLY**

ILLUS.	PART NO.	NAME OF PART	AMT.
	PL-59005		
*1	01-400003-0021R	Tape – Teflon (19 In.)	AR
*2	01-400039-00270	Element – Profile Cut (19 In.)	AR
*3	01-400039-00200	Element – Sealing (Use On Double Seal) (2-19 In.)	AR
*4	01-400039-00230	Band – Reflex Seal (Use With Cut Element) (19 In.)	AR
5	01-400002-00015	Bar – Seal	1
6	01-400002-00031	Connector	2
7	NS-011-12	Nut 8-32 (SST)	4
8	01-400027-00400	Adapter – Connector	2
9	SC-028-16	Mach. Screw 8-32 x 1 1/4 Slotted Round Hd. (Brass)	2
10	SC-055-02	Set Screw 1/4-20 x 1/4 Hex Hdls., Cup Pt.	4
	01-400005-00382	Seal Bar – Pre-Assy. (Bag Cut) (Incls. Items 1, 2, & 4 thru 10)	4
	01-400005-00267	Seal Bar – Pre-Assy. (Double Seal) (Incls. Items 1, 3, & 5 thru 10)	4

\* Sold per foot.