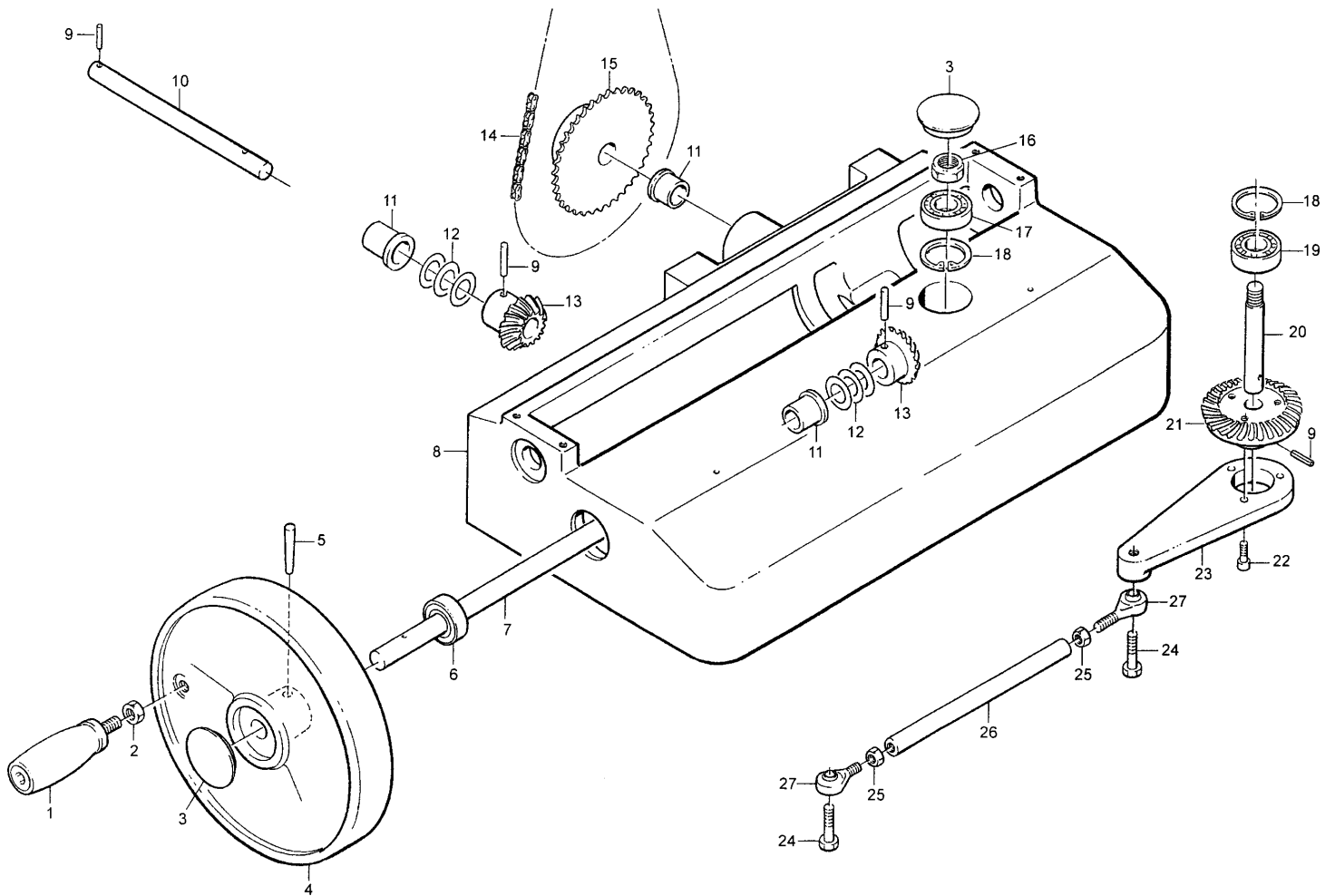
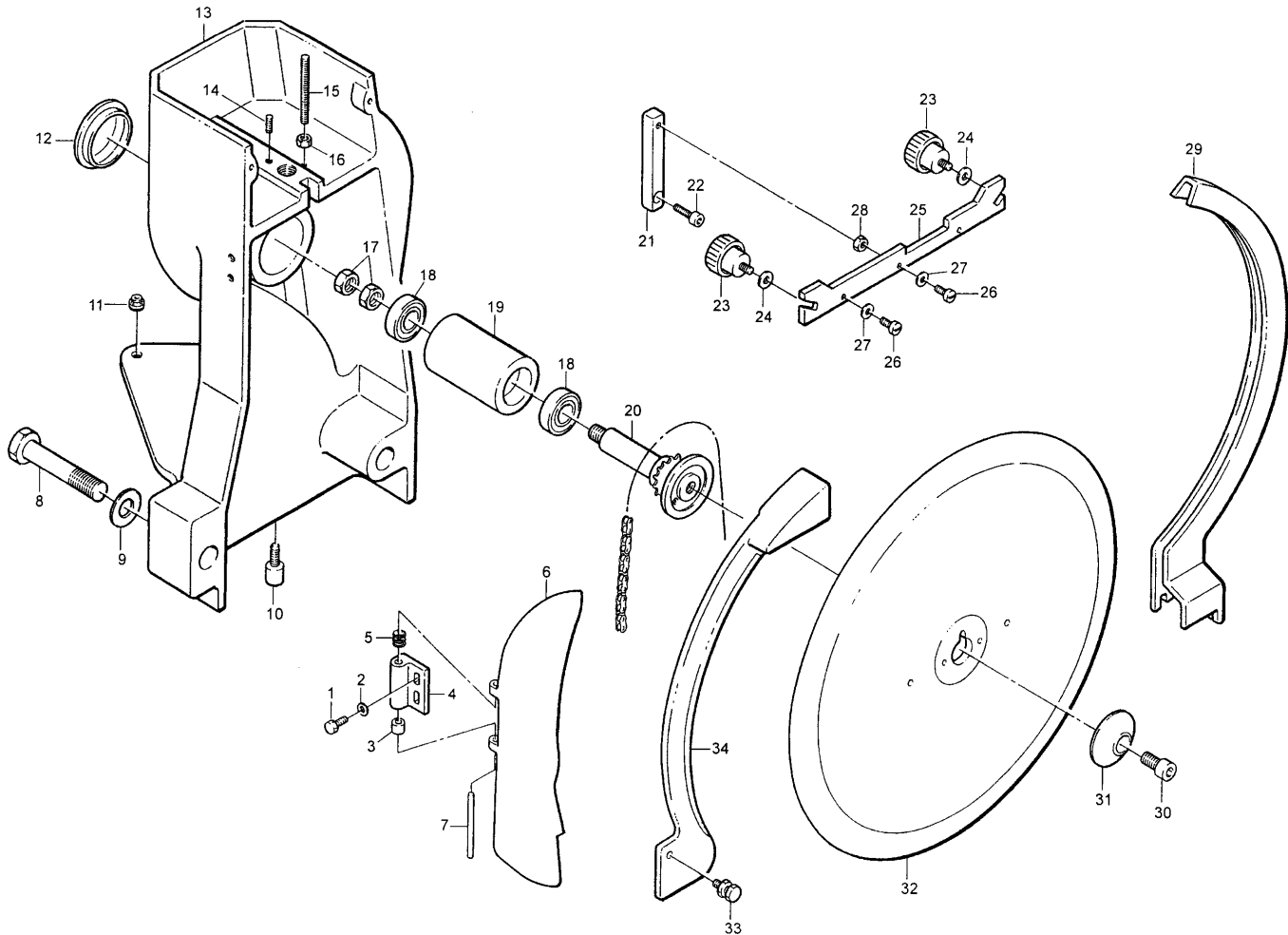


Base



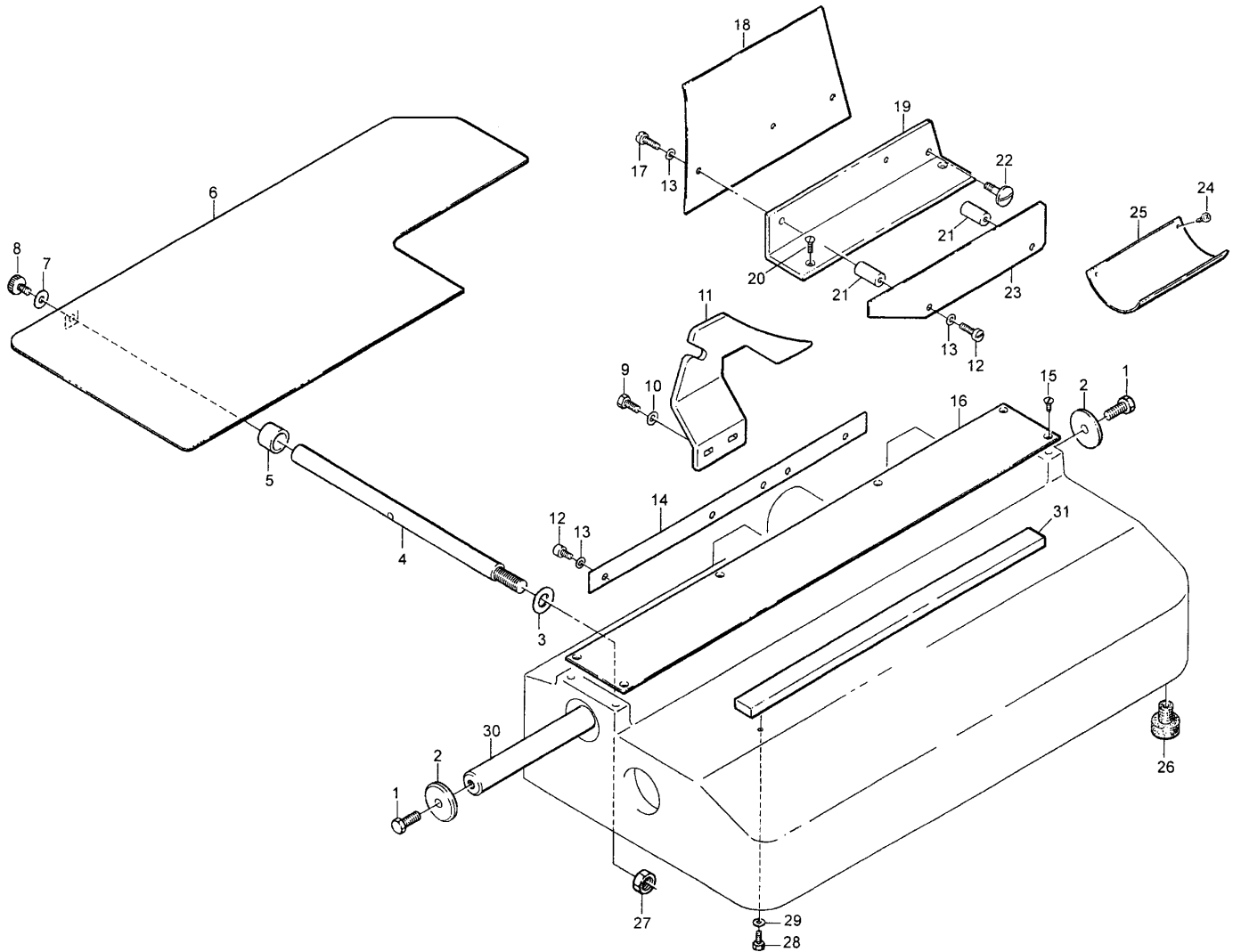
Item	Description	Part No.	Item	Description	Part No.
1	Handle	330M-00001	15	Pinion	330M-00015
2	Nut	330M-00002	16	Nut	330M-00016
3	Cover	330M-00003	17	Bearing 32004	330M-00017
4	Fly-Wheel	330M-00004	18	Circlip	330M-00018
5	Conic Pin	330M-00005	19	Bearing 6004 2Z	330M-00019
6	Bearing 6204	330M-00006	20	Threaded Shaft	330M-00020
7	Rod	330M-00007	21	Gear	330M-00021
8	Case	330M-00008	22	Screw	330M-00022
9	Springy Pin	330M-00009	23	Crankwheel	330M-00023
10	Shaft	330M-00010	24	Screw	330M-00024
11	Bushing 20 28 35	330M-00011	25	Nut	330M-00025
12	Ring	330M-00012	26	Connecting Rod	330M-00026
13	Gear	330M-00013	27	Joint Ball	330M-00027
14	Chain	330M-00014			

Transmission



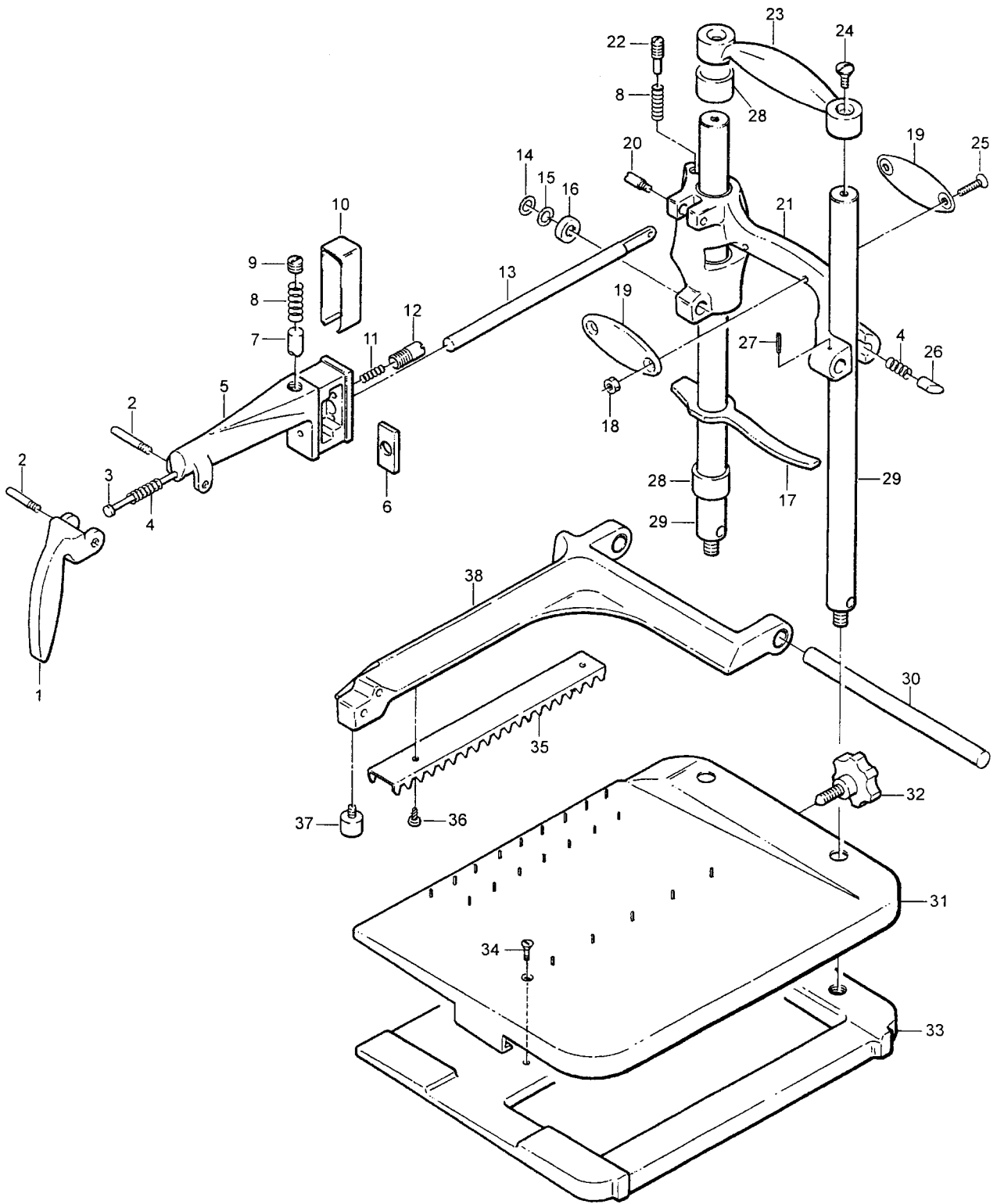
Item	Description	Part No.	Item	Description	Part No.
1	Screw	330M-00028	18	Bearing 72002B	330M-00045
2	Washer	330M-00029	19	Pin	330M-00046
3	Spacer	330M-00030	20	Blade-Carrier Shaft	330M-00047
4	Hinge	330M-00031	21	Sharpener Slide	330M-00048
5	Spring	330M-00032	22	Screw	330M-00049
6	Slice Deflector	330M-00033	23	Knob	330M-00050
7	Pin	330M-00034	24	Washer	330M-00051
8	Screw	330M-00035	25	Sharpener Guard	330M-00052
9	Washer	330M-00036	26	Screw	330M-00053
10	Foot	330M-00037	27	Washer	330M-00054
11	Rubber Stop	330M-00038	28	Nut	330M-00055
12	Cover	330M-00039	29	Back Blade Cover	330M-00056
13	Head	330M-00040	30	Screw	330M-00057
14	Grub Screw	330M-00041	31	Flange	330M-00058
15	Threaded Bar	330M-00042	32	Blade	330M-00059
16	Nut	330M-00043	33	Screw	330M-00060
17	Nut	330M-00044	34	Front Blade Cover	330M-00061

Guards



Item	Description	Part No.	Item	Description	Part No.
1	Screw	330M-00062	17	Screw	330M-00078
2	Washer	330M-00063	18	Chain Guard	330M-00079
3	Washer	330M-00064	19	Guard	330M-00080
4	Pin	330M-00065	20	Screw	330M-00081
5	Rubber Tube	330M-00066	21	Spacer	330M-00082
6	Tray	330M-00067	22	Screw	330M-00083
7	Washer	330M-00068	23	Guard	330M-00084
8	Knob	330M-00069	24	Screw	330M-00085
9	Screw	330M-00070	25	Gear Guard	330M-00086
10	Washer	330M-00071	26	Rubber Foot	330M-00087
11	Shoe	330M-00072	27	Nut	330M-00088
12	Screw	330M-00073	28	Screw	330M-00089
13	Washer	330M-00074	29	Washer	330M-00090
14	Guard	330M-00075	30	Bar	330M-00091
15	Screw	330M-00076	31	Square Bar	330M-00092
16	Rear Cover	330M-00077			

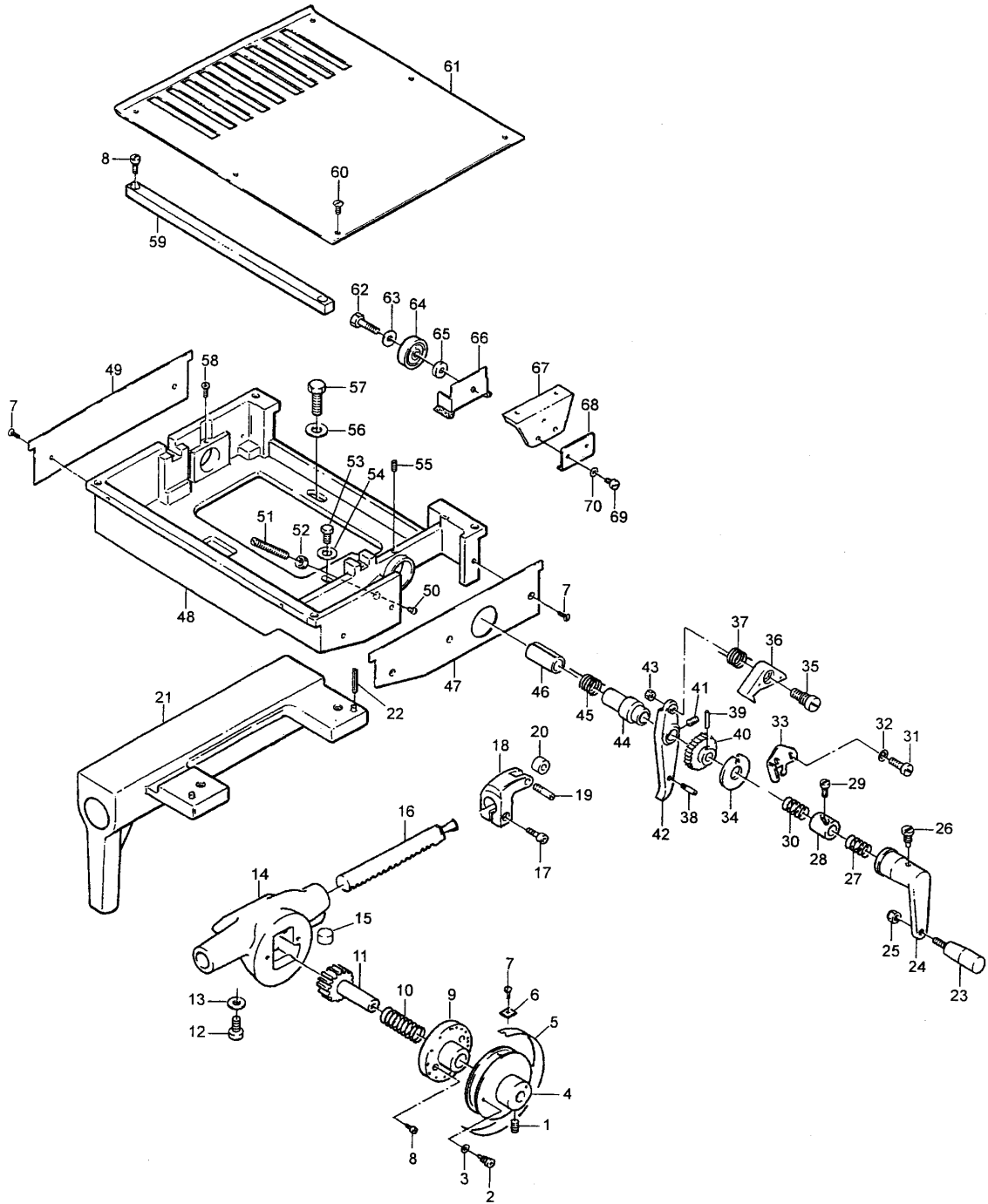
Sliding Plate



Sliding Plate

Item	Description	Part No.
1	Aluminum Handle	330M-00093
2	Pin	330M-00094
3	Brake Rod	330M-00095
4	Spring	330M-00096
5	Brake Body	330M-00097
6	Brake Plate	330M-00098
7	Brass Tablet	330M-00099
8	Spring	330M-00100
9	Grub Screw	330M-00101
10	Brake Protection	330M-00102
11	Spring	330M-00103
12	Brake Pin	330M-00104
13	Pin	330M-00105
14	Washer	330M-00106
15	Spring Lock Washer	330M-00107
16	Metal Ring	330M-00108
17	Hand Grip Brake	330M-00109
18	Nut	330M-00110
19	Cheek	330M-00111
20	Pin	330M-00112
21	Hand Grip Body	330M-00113
22	Pin	330M-00114
23	Arc	330M-00115
24	Screw	330M-00116
25	Screw	330M-00117
26	Brass Tablet	330M-00118
27	Springy Pin	330M-00119
28	Rubber Tube	330M-00120
29	Column	330M-00121
30	rod	330M-00122
31	Stainless Steel Plate Cover	330M-00123
32	Fixing Plate Knob	330M-00124
33	Aluminum Plate	330M-00125
34	Screw	330M-00126
35	Rack	330M-00127
36	Screw	330M-00128
37	Nylon Spacer	330M-00129
38	Hand Grip	330M-00130

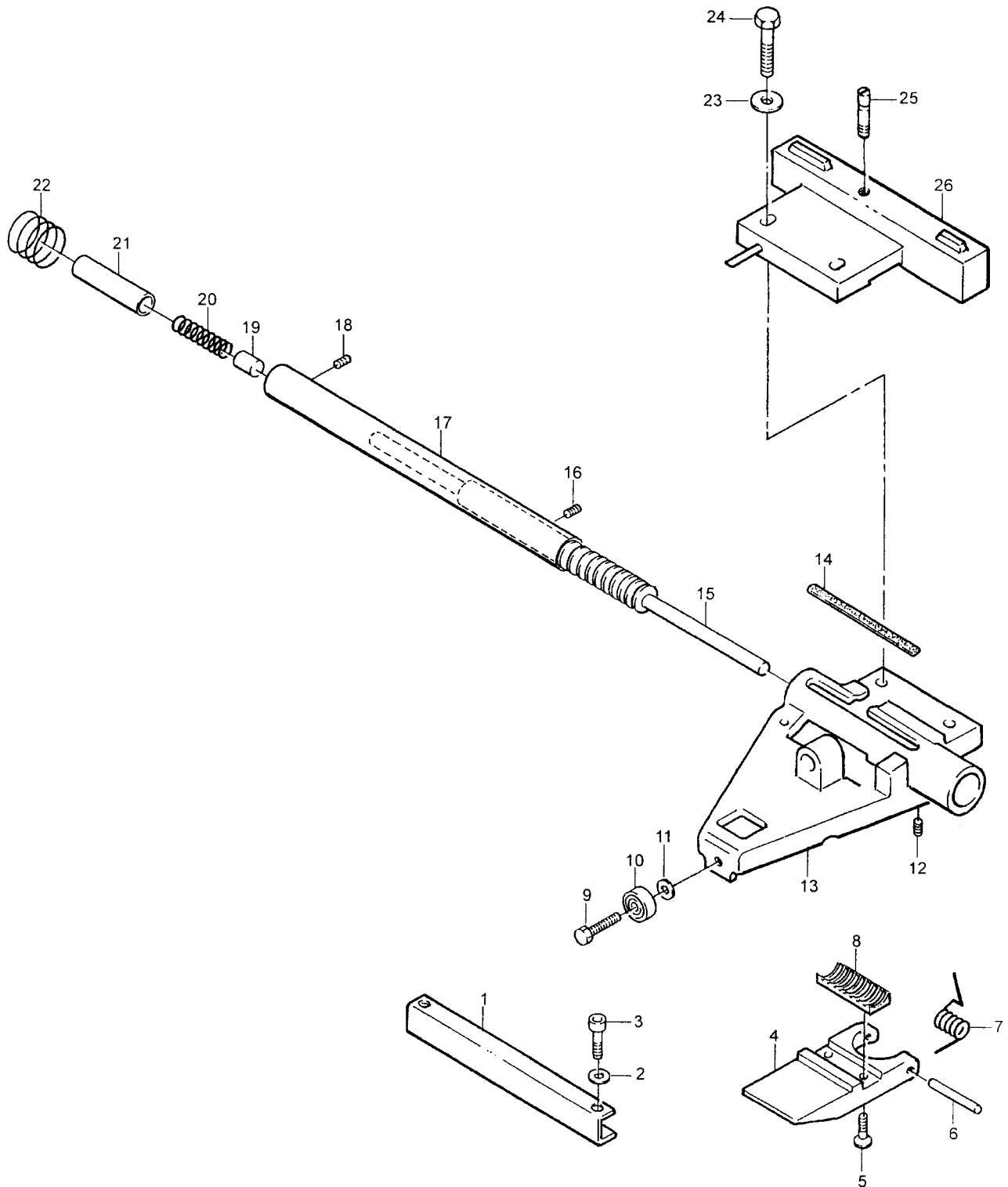
Carriage



Carriage

Item	Description	Part No.	Item	Description	Part No.
1	Grub Screw	330M-00131	36	Pawl	330M-00166
2	Screw	330M-00132	37	Spring	330M-00167
3	Washer	330M-00133	38	Pin	330M-00168
4	Alum. Flange Index Head	330M-00134	39	Springy Pin	330M-00169
5	Graduated Badge	330M-00135	40	Pinion	330M-00170
6	Plate	330M-00136	41	Grub Screw	330M-00171
7	Screw	330M-00137	42	Lever	330M-00172
8	Screw	330M-00138	43	Nut	330M-00173
9	Flange	330M-00139	44	Bushing	330M-00174
10	Spring	330M-00140	45	Spring	330M-00175
11	Pinion	330M-00141	46	Bushing	330M-00176
12	Screw	330M-00142	47	SS Front Part	330M-00177
13	Washer	330M-00143	48	Plate Carrier	330M-00178
14	Index Head	330M-00144	49	SS Front Part	330M-00179
15	Grub Screw	330M-00145	50	Pin	330M-00180
16	Rack	330M-00146	51	Threaded Pin	330M-00181
17	Screw	330M-00147	52	Nut	330M-00182
18	Feeder	330M-00148	53	Screw	330M-00183
19	Pin	330M-00149	54	Washer	330M-00184
20	Retainer	330M-00150	55	Screw	330M-00185
21	Carriage	330M-00151	56	Washer	330M-00186
22	Springy Pin	330M-00152	57	Screw	330M-00187
23	Advancement Handle	330M-00153	58	Screw	330M-00188
24	Advancement Knob	330M-00154	59	Carriage Bar	330M-00189
25	Nut	330M-00155	60	Screw	330M-00190
26	Screw	330M-00156	61	SS Plate Cover	330M-00191
27	Spring	330M-00157	62	Screw	330M-00192
28	bushing	330M-00158	63	Washer	330M-00193
29	Screw	330M-00159	64	Bearing 626ZZ	330M-00194
30	Spring	330M-00160	65	Washer	330M-00195
31	Screw	330M-00161	66	SS Plate Cover	330M-00196
32	Washer	330M-00162	67	Bearing Support	330M-00197
33	Plate	330M-00163	68	SS Plate Cover	330M-00198
34	Washer	330M-00164	69	Screw	330M-00199
35	Screw	330M-00165	70	Washer	330M-00200

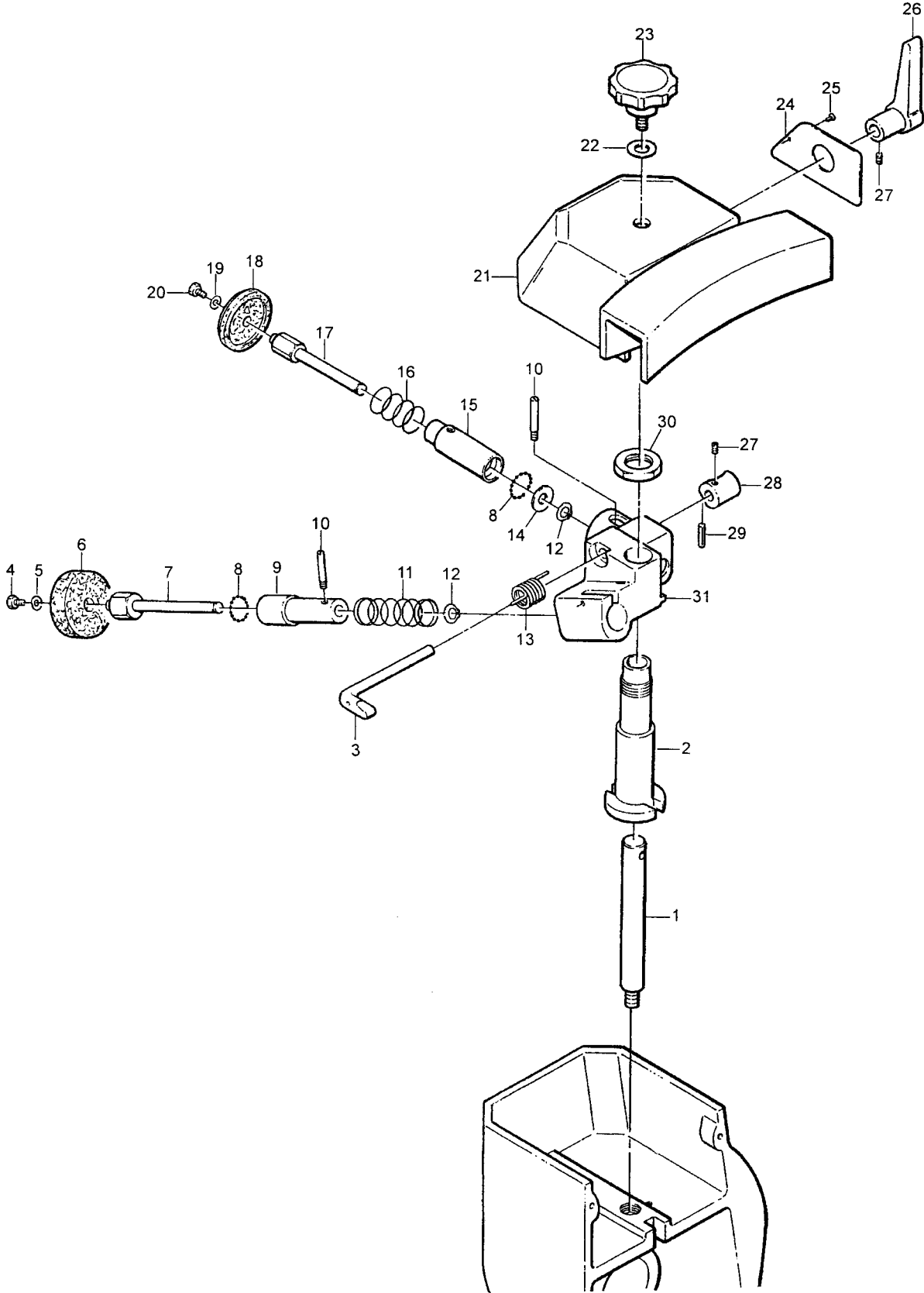
Thickness Regulator



Thickness Regulator

Item	Description	Part No.
1	Sliding Guide	330M-00201
2	Washer	330M-00202
3	Screw	330M-00203
4	Rack Support	330M-00204
5	Screw	330M-00205
6	Pin	330M-00206
7	Spring	330M-00207
8	Rack Support	330M-00208
9	Screw	330M-00209
10	Bearing 626 2RS	330M-00210
11	Washer	330M-00211
12	Grub Screw	330M-00212
13	Feeding Carriage	330M-00213
14	Felt	330M-00214
15	Endless Screw	330M-00215
16	Grub Screw	330M-00216
17	Screw Guard Tube	330M-00217
18	Grub Screw	330M-00218
19	Spacer	330M-00219
20	Spring	330M-00220
21	Bushing	330M-00221
22	spring	330M-00222
23	Washer	330M-00223
24	Screw	330M-00224
25	Block Table Pin	330M-00225
26	Carriage Carrier Support	330M-00226

Sharpener



Sharpener

Item	Description	Part No.
1	Sharpener Support Pin	330M-00227
2	Sharpener Support	330M-00228
3	Cam Lever	330M-00229
4	Screw	330M-00230
5	Washer	330M-00231
6	Stone	330M-00232
7	Threaded Shaft	330M-00233
8	Balls	330M-00234
9	Bushing	330M-00235
10	Pin	330M-00236
11	Spring	330M-00237
12	Circlip	330M-00238
13	Spring	330M-00239
14	Washer	330M-00240
15	Bushing	330M-00241
16	Spring	330M-00242
17	Threaded Shaft	330M-00243
18	Stone	330M-00244
19	Washer	330M-00245
20	Screw	330M-00246
21	Cover	330M-00247
22	Washer	330M-00248
23	Knob	330M-00249
24	late	330M-00250
25	Rivet	330M-00251
26	Sharpener Hand	330M-00252
27	Grub Screw	330M-00253
28	Cam Lever	330M-00254
29	Springy Pin	330M-00255
30	Nut	330M-00256
31	Sharpener body	330M-00257