



**ZEPHAIRE E  
MECHANICAL & SOLID STATE CONTROLS  
ELECTRICAL CONVECTION OVENS  
REPLACEMENT PARTS LIST**

**EFFECTIVE AUGUST 5, 2010**

**BLODGETT OVEN COMPANY**, 44 Lakeside Avenue, Burlington, Vermont 05401 USA

Telephone: (802) 860-3700 (800) 331-5842 Fax: (802) 860-3732

*www.blodgett.com*

Superseding All Previous Parts Lists.

The Company reserves the right to make substitution in the event that items specified are not available.

ERRORS: Descriptive and/or typographic errors are subject to correction.

**www.blodgett.com**

**IMPORTANT:** When ordering parts, please provide the model, gas type and serial number of the oven. The identification plate is located on the left side of the combustion compartment and, also, above the control panel under the ledge.

◆ Doors Are Not Returnable  
\* Item Is Too Large For UPS

## ELECTRICAL COMPONENTS

### (MECHANICAL CONTROLS)

Ref. No.	Part No.	Description
8	32232	Motor, 208/240V, 1 PH, 1/3 HP, 1 SP
8	32244	Motor, 208/240V, 1 PH, 1/3 HP, 2 SP
	34691	Harness, Motor Centrifugal Switch 1 SP
	34693	Harness, Motor, Junction Box 1 SP
	34690	Harness, Motor Centrifugal Switch 2 SP
	34692	Harness, Motor, Junction Box 2 SP
	NOTE:	All harnesses above on ovens after 11/01/99 or S.N. XXXXXXXXXXXXXXXXX
	20349	Buzzer, 120V
	5147	Timer, 60 Minute Mechanical
	15956	Timer, for Buzzer
	16030	Knob, Timer
	16536	Thermostat, KX-234-36
	16393	Dial, Thermostat
	21082	Bracket Assy., Thermostat
12	35702	Microswitch Kit
	35419	Bracket Assy., Microswitch
	20444	Wiring Harness, Cook
4	6498	Cool Down Switch, Rocker SPDT Red
4	6500	Blower Switch, Rocker DPST Blue
4	6497	Light Switch, Rocker SPST White
5	16037	Indicator Light, 250V, Red, Round
11	33245	Element Assy., 208V
11	20320	Element Assy., 220V
11	33244	Element Assy., 240V
11	20322	Element Assy., 440V
11	20319	Element Assy., 480V
	16765	Retainer, Element
14	21413	Contactactor, 50 AMP
	21419	Bracket, Contactactor
10	17556	Terminal Block Assy.
	21414	Bracket, Terminal Block
7	20162	Fuse, 10 AMP (Before 05/20/97)
6	20163	Fuse Holder Assy. (Before 05/20/97)
	16605	Fuse, 10 AMP (After 05/20/97)
	20442	Fuse Holder Assy. (After 05/20/97)
	17754	Transformer, 480V to 240V
	4342	Lamp
	4922	Socket, Lamp
	16819	Window & Retainer Assy, for lamp

## ELECTRICAL COMPONENTS

### (SOLID STATE CONTROLS)

Ref. No.	Part No.	Description
8	32232	Motor, 208/240V, 1 PH, 1/3 HP, 1 SP
8	32244	Motor, 208/240V, 1 PH, 1/3 HP, 2 SP
	23077	Capacitor, Motor 2 SP
	20362	Conduit Assy., Motor 1 SP
	20065	Conduit Assy., Motor 2 SP
1	20350	Buzzer, 240V
2	18226	Timer, 60 Minute, 240V, 60 HZ
3	16686	Knob, Timer
	33152	Temperature Controller w/ Potentiometer
15	18588	Probe, Temperature
3	16686	Knob, Thermostat
13	21430	Axial Fan, 230V, 3"
	23034	Axial Fan, 230V, 4"
12	35702	Microswitch Kit
	35419	Bracket Assy., Microswitch
	20444	Wiring Harness, Cook
4	6502	Cool Down Switch, Rocker DPDT Red
4	6500	Blower Switch, Rocker DPST Blue 1 SP
4	7636	Blower Switch, Rocker 3PDT Black 2 SP
4	6497	Light Switch, Rocker SPST White
5	16037	Indicator Light, 250V, Red, Round
11	33245	Element Assy., 208V
11	20320	Element Assy., 220V
11	33244	Element Assy., 240V
11	20322	Element Assy., 440V
11	20319	Element Assy., 480V
	16765	Retainer, Element
14	90588	Contactactor, 50 AMP
	21419	Bracket, Contactactor
10	17556	Terminal Block Assy.
	21414	Bracket, Terminal Block
7	20162	Fuse, 10 AMP (Before 05/20/97)
6	20163	Fuse Holder Assy. (Before 05/20/97)
	16605	Fuse, 10 AMP (After 05/20/97)
	20442	Fuse Holder Assy. (After 05/20/97)
	17754	Transformer, 480V to 240V
	4342	Lamp
	4922	Socket, Lamp
	16819	Window & Retainer Assy, for lamp
	32874	Box, Element Terminal Kit
	20604	Element Cover, Terminal (used with 32874)
	17250	Cover, Transformer Top
	17252	Mount, Transformer & Base Assy.
18	36755	Switch, Thermal Cooking

**INTERIOR COMPONENTS**

Ref. No.	Part No.	Description
	20594	Liner Baffle, Aluminized
	16813	Liner Baffle, Porcelain
	21085	Liner Bottom, Aluminized
	21560	Liner Bottom, Porcelain
9	5001	Blower Wheel Assy.
	20353	Clip, Thermostat Bulb (For Ovens Prior to 2/01/04)
	19751	Clip, Thermostat Bulb (For Ovens Made After 2/01/04)
	20246	Rack, Oven (27-7/8" x 28-3/16")
	21422	Rack Support (Set of 2)
	21086	Rack Stop (Set of 2)
	90046	Support Assy., Baffle (Set of 4)
	19667	Motor Mount & Panel Assy.

**INDEPENDENT DOOR COMPONENTS****(NO LOWER DOOR SUPPORT,  
TWO DOOR HANDLES ON UNIT)**

Ref. No.	Part No.	Description
◆	21090	Door Assy., Solid LH
◆	21091	Door Assy., Solid RH
◆	21557	Door Assy., Glass LH
◆	21558	Door Assy., Glass RH

**NOTE: Lower door pins no longer come with the door assemblies. The pins must be ordered separately.**

◆	35580	Door Conversion Kit, Independent to Dependent, Glass
◆	35579	Door Conversion Kit, Independent to Dependent, Solid
	9036	Glass Assy. (10-1/8" x 17-1/8")
	21097	Door Handle Assy.
	21099	Handle Bracket, Top
17	21098	Catch Assy., Roller (On Top of Door)
16	21100	Striker Plate (On Oven)
	17519	Gasket, Perimeter Door
	23120	Gasket, Center Door (3 Piece)
	21092	Door Stop Bushing w/ Pin
	16657	Upper Bushing Sleeve
	15932	Bearing, Flanged
	21094	Door Pin, Upper Assy.
	21095	Door Pin, Lower Assy. (Before 12/02/93)
	30654	Door Pin, Lower Assy. (After 12/02/93)
	21096	Door Pins, Upper & Lower (Set of 4) (Before 12/02/93)
	30653	Door Pins, Upper & Lower (Set of 4) (After 12/02/93)
	30655	Bearing, Door Hinge (Set of 2) (After 12/02/93)
	90053	Door Switch Cam Assy. (Before 12/02/93)
	30652	Door Switch Cam Assy. (After 12/02/93)

**DEPENDENT DOOR COMPONENTS****(HAS LOWER DOOR SUPPORT,  
ONE DOOR HANDLE ON UNIT)**

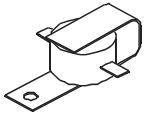
Ref. No.	Part No.	Description
◆	20806	Door Assy., Solid LH
◆	20805	Door Assy., Solid RH
◆	20804	Door Assy., Glass LH
◆	20803	Door Assy., Glass RH
◆	35580	Door Conversion Kit, Independent to Dependent, Glass
◆	35579	Door Conversion Kit, Independent to Dependent, Solid
	9036	Window Assy., Drop In (10-1/8" x 17-1/8")
	17558	Handle, Porcelain Door
	18081	Top Plate, Door Handle
	90074	Sprocket Assy.
	90017	Washers, Door (Set of 2)
	90004	Bushings, Door Hinge (Set of 2)
	16657	Sleeve, Upper Door Bushing
	17557	Hinge Pin, Upper Door
12	19978	Microswitch Assy., Door
	20324	Bracket, Door Switch (Microswitch)
	90077	Cam Assy, Door Switch
	17311	Trim, Center Door
	16448	Pressure Lock (Attaches to front of door)
	36606	Pressure Lock (Attaches to side of door)
	17519	Door Gasket, Perimeter Before(12/012005)
	36876	Door Gasket, Perimeter After (12/01/2005)
	20359	Arm Assy, LH Door
	90076	Arm Assy, RH Door
	20659	Support Assy, Lower Door

**EXTERIOR COMPONENTS**

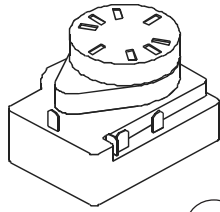
Ref. No.	Part No.	Description
	23190	Crown Assy. (After 12/02/93)
	21417	Control Panel Assy. w/o Lights (Mechanical)
	31024	Control Panel & Decal w/Lights (Solid State)
	31026	Control Panel & Decal w/o Lights (Solid State)
		*Comes with Panel retainer, label, fuse label
	20898	Access Control Panel S/S (wraps around bodyside) used with 31026
	34745	Control Panel & Decal w/o Lights (Solid State)
	21418	Trim Assy., Bottom S/S (Before 12/02/93)
	20738	Trim Assy., Bottom S/S (After 12/02/93)
	21103	Nameplate, Zephaire 4-5/8" (Before 12/15/89)
	23295	Nameplate, Blodgett/Zephaire 7-15/16" (After 12/16/89)
	21104	Flue Box, Single Oven
	21107	Flue Assy., Stacking (3 Piece)
	21835	Back Panel, S/S (Before 02/23/99, S.N. 022399ZA002S)
	34761	Back Panel, S/S (After 02/23/99, S.N. 022399ZA002S)
	34570	Bodyside, RH S/S (Prior to 11-21-05)
	34571	Bodyside, LH S/S (Prior to 11-21-05)

**NOTE: The bodysides 34570 & 34571 replace part #17363 & #15994. See next page for units after 11-21-05**

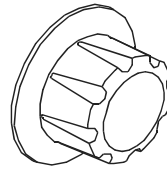
### SOLID STATE CONTROLS



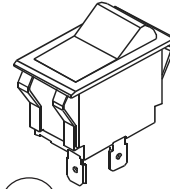
1  
20350



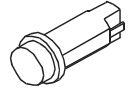
2  
18826



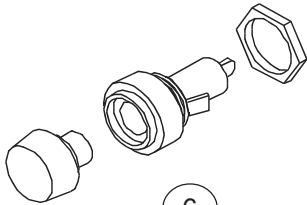
3  
16686



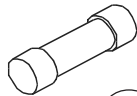
4  
6502  
6500  
7636  
6497  
6498



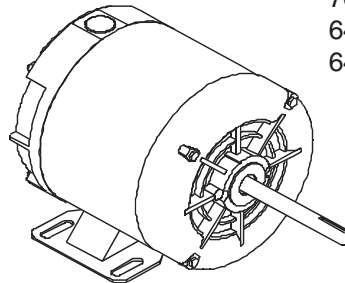
5  
16037



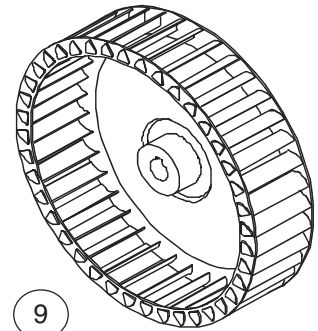
6  
20163



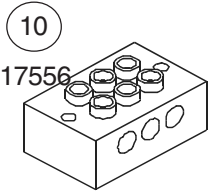
7  
20162



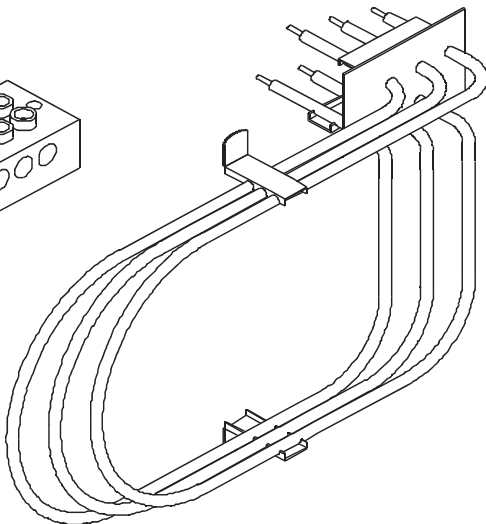
8  
32232  
32244



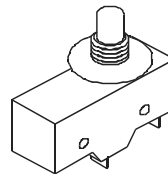
9  
5001



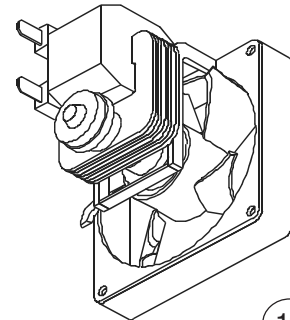
10  
17556



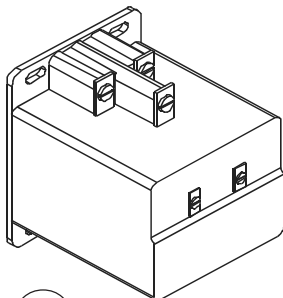
11  
33245  
20320  
33244  
20322  
20319



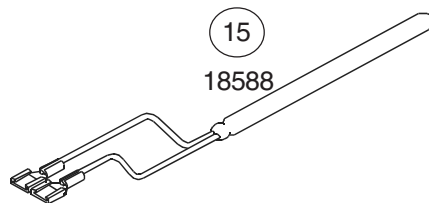
12  
35702



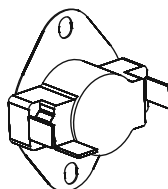
13  
21430



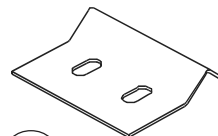
14  
90588



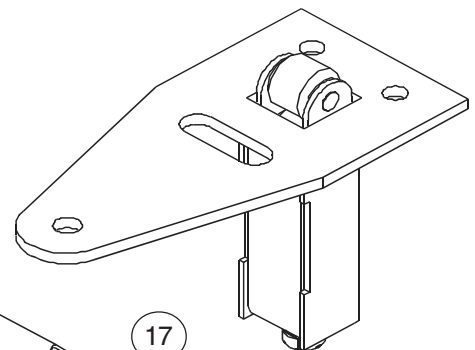
15  
18588



18  
36755



16  
21100



17  
21098

**EXTERIOR COMPONENTS - cont'd**

<u>Ref. No.</u>	<u>Part No.</u>	<u>Description</u>
	36407	Bodyside, RH S/S (11-21-05 and after)
	37205	Bodyside, LH S/S (11-21-05 and after)
	20223	Bodytop S/S
	8600	Legs, 6" w/ Bolts, S/S (Set of 4)
	8598	Legs, 25" w/ Bolts, S/S (Set of 4)
	7847	Leg Bolts (Set of 4)
	92000	Leg Studs (Set of 4)
	21053	Open Stand w/ Feet, S/S
	20878	Open Stand w/ Casters, S/S
	16002	Caster Kit, Sgl Oven (Set of 4)
	5779	Caster Kit, Dbl Oven (Set of 4)
	19528	Caster Kit, Low Profile (Set of 4)
	31013	Caster Kit, Heavy Duty Low Profile (Set of 4)
	31803	Clips, Dbl Stacking (Set of 2)

**EXCLUSIVE TO EXPORT**

<u>Ref. No.</u>	<u>Part No.</u>	<u>Description</u>
	M8593	Fuse, 10AMP CE
	M3167	Fuseholder, Type HTB-36M CE
	33333	Decal, SSD CE
	33452	Wiring Harness
	33569	Harness, Switch
	31025	Control Panel & Decal w/Lights Solid State
	31026	Control Panel & Decal w/o Lights Solid State *Comes with Panel retainer, label, fuse label
	34745	Control Panel & Decal w/o Lights Solid State
	36066	Thermostat, High Limit Kit (Manual Reset) CE Repalces M3295

**ROLL-IN UNIT & PARTS**

<u>Ref. No.</u>	<u>Part No.</u>	<u>Description</u>
	20517	Docking Plate Assy.
	8355	Docking Pins, Transport Cart
	8356	5" Casters, Transport Cart
	9052	Handle, Transport Cart (Sgl Oven)
	8359	Catch Mechanism, Transport Cart
	8357	Locking Bar, Transport Cart
	8358	Tracks & Shelf Assy., Transport Cart
	9015	Handle, Transport Cart (Dbl Oven)
	7931	Vertical Posts (Each)
	9017	Upper Tracks & Shelf Assy. (Dbl Oven)
	21087	Track, LH
	21088	Track, RH
	21089	Rack Stop, S/S
	7689	Transport Cart, CTRG
	8626	Transport Cart, CTRG-2
	7365	Roll-In Basket Dolly, DBRI-L
	11206	Roll-In Pan Rack, RPR-L9 (w/ 5 Racks)
	7590	Racks for Pan Rack, L9 (26" x 26")