



# BC20G SERIES

## SERIAL NUMBERS WITH JP REPLACEMENT PARTS LIST



**EFFECTIVE JUNE 2, 2010**

**BLODGETT OVEN COMPANY**, 44 Lakeside Avenue, Burlington, Vermont 05401 USA

Telephone: (802) 860-3700 (800) 331-5842 Fax: (802) 860-3732

[www.blodgett.com](http://www.blodgett.com)

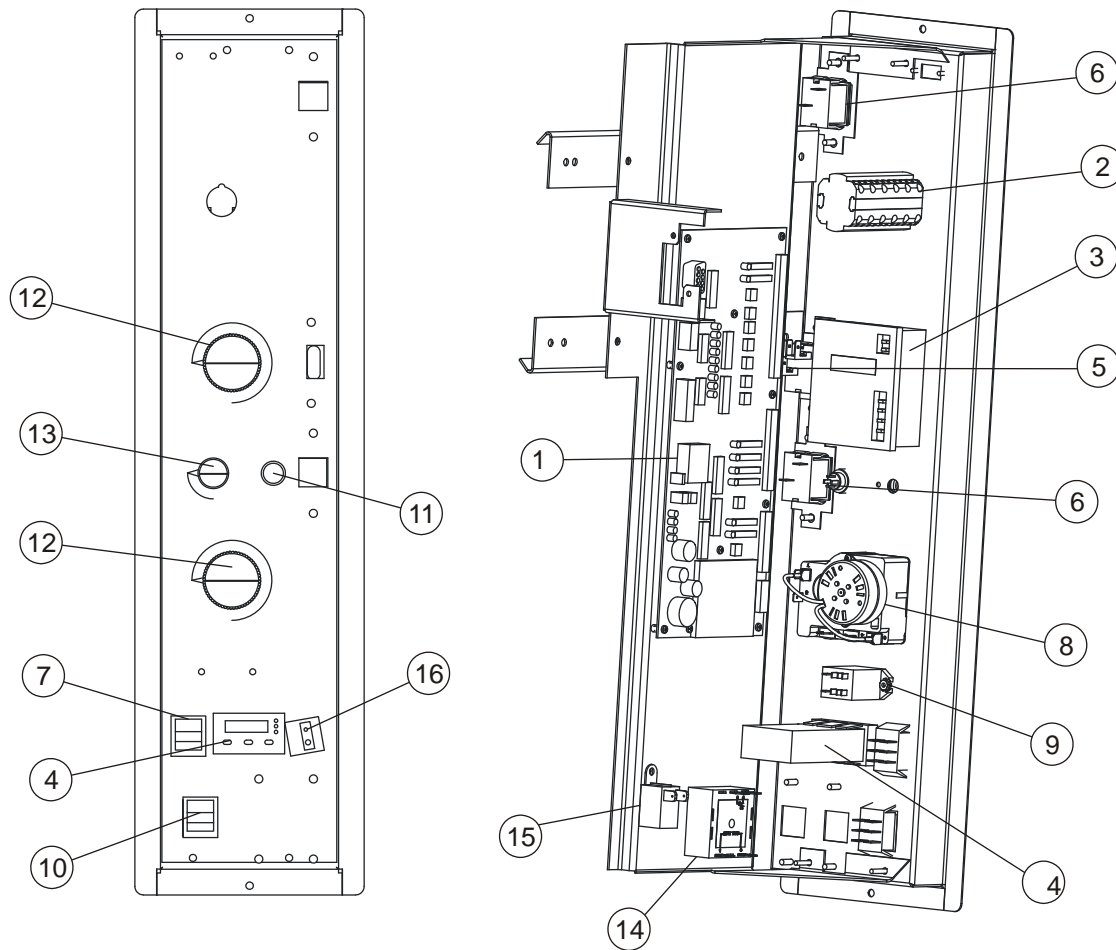
Superseding All Previous Parts Lists.

The Company reserves the right to make substitution in the event that items specified are not available.

ERRORS: Descriptive and/or typographic errors are subject to correction.

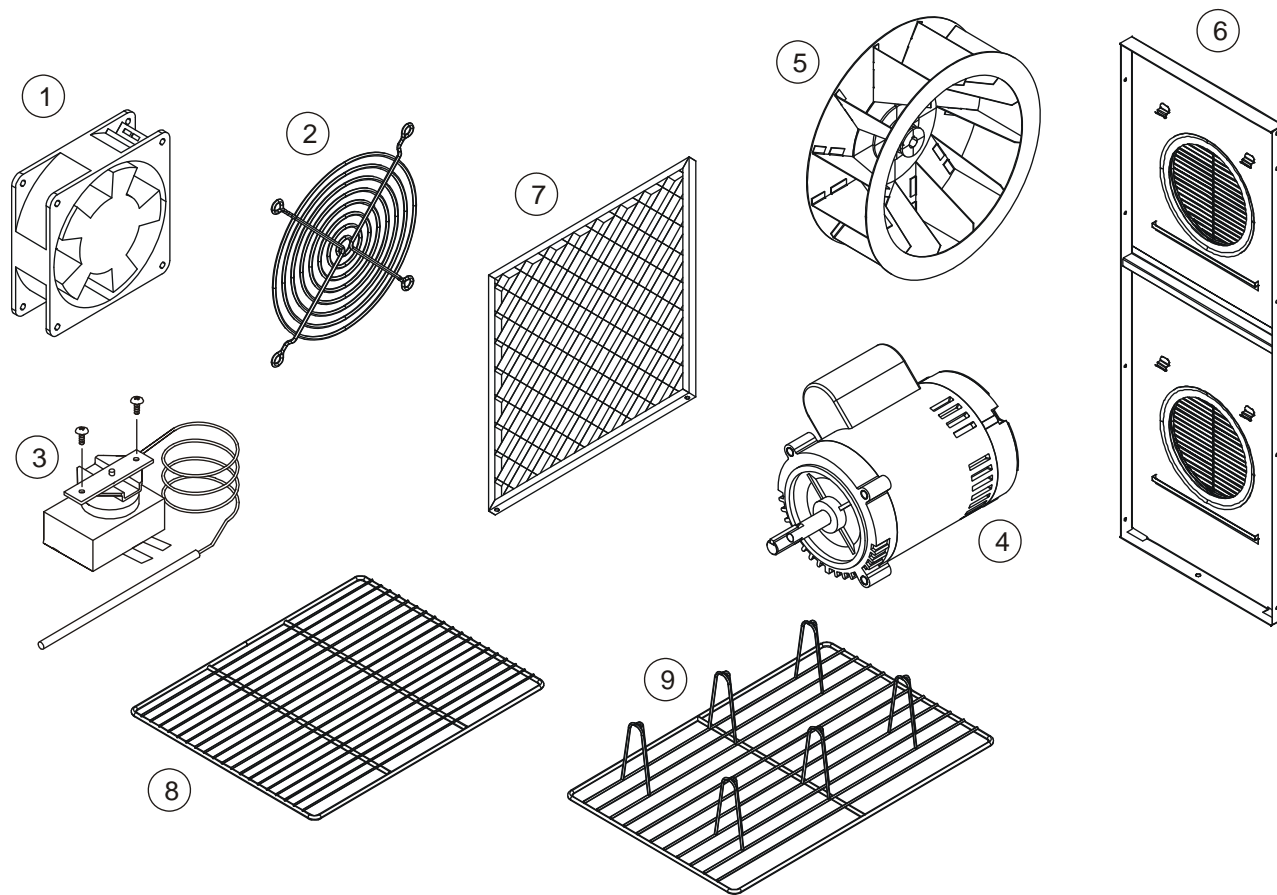
[www.blodgett.com](http://www.blodgett.com)

# Control Panel Components



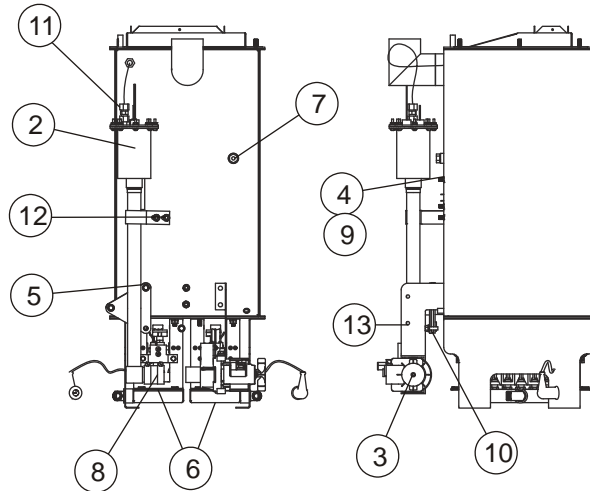
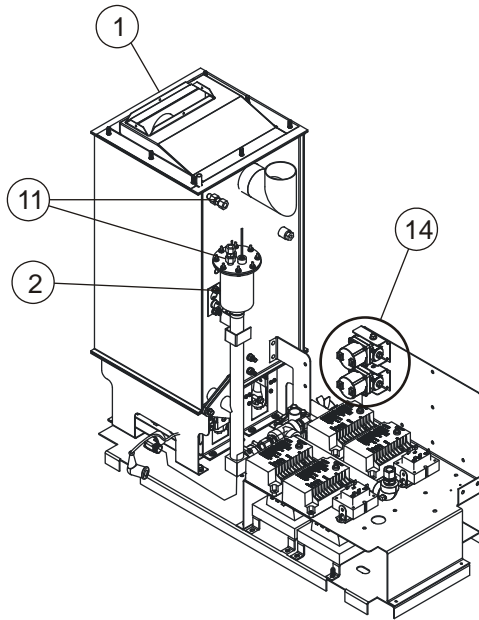
<b>Ref. No.</b>	<b>Part No.</b>	<b>Description</b>
1	R10353	Module, Assy Logic BC14G
2	R4623	Switch, Mode 4 position
	R8515	Knob and Shaft Assy, Mode Switch.
3	R6407	Control, 150-500 DEG
4	R5242	Control, Meat Probe
	R10378	Harness, Meat Probe
5	R0226	Light, Indicator, 250V Clear, rect
6	R1318	Light, Indicator, 250V Green, rect
7	R10515	Switch, Meat Probe
8	R2666	Timer, 120V
9	R2792	Relay, SPST 240V Coil
10	R8594	Switch, Fan Low/Hi
11	R8595	Switch, Push button
12	R8742	Knob, Large
13	R8743	Knob, Small
14	R9309	Control, Speed
15	R9498	Buzzer Assy, 240V
16	R5219	Connector, Panel jack
	R10332	Harness, Control
	R9386	Resistor Assy, Motor
	R10541	Slide, Control Panel

# Interior Oven Components



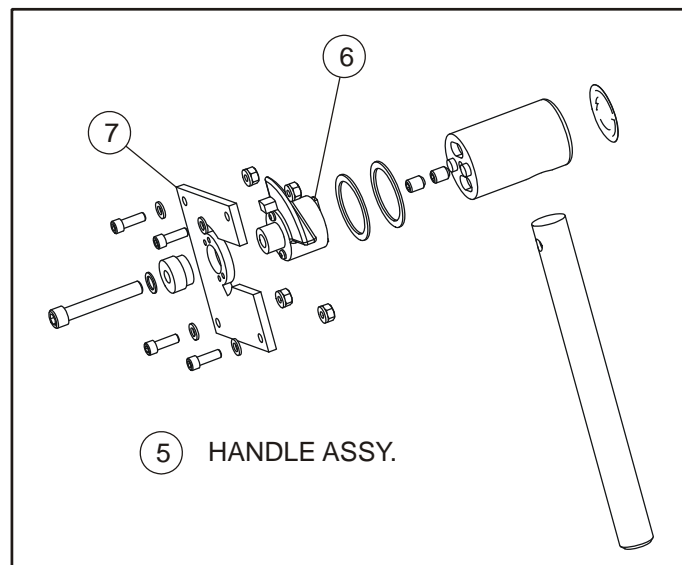
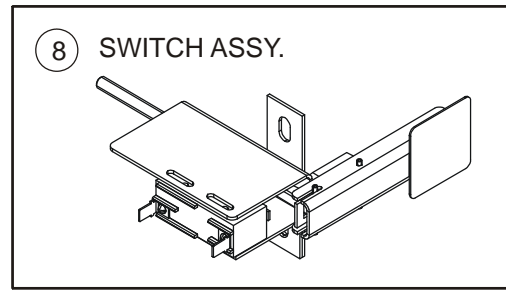
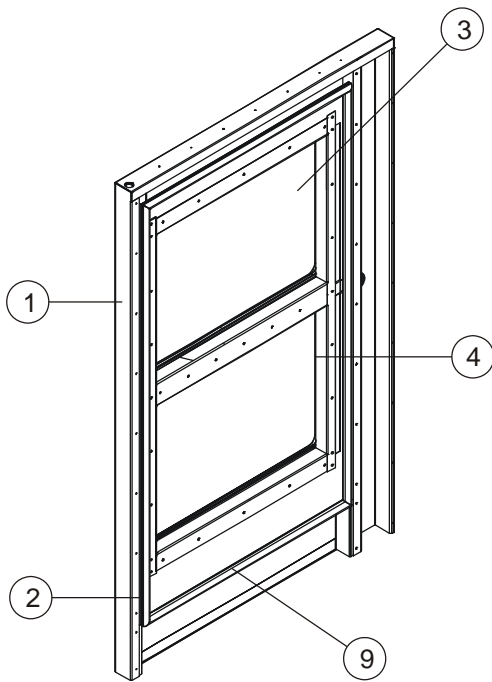
<u>Ref. No.</u>	<u>Part No.</u>	<u>Description</u>
1	23034	Fan, Axial, 230V 106CFM 4"
2	22718	Guard, axial fan
3	R1573	Thermostat, cooking compartment high limit
4	R5108	Motor, 115V/230V 1/2 hp
	R4244	Seal, motor shaft
	R2349	Plate, insulation cover
5	R5081	Wheel, blower
6	R4267	Liner Baffle Assy
7	R3760	Filter, grease
8	R1013	Racks, wire shelves.
	D0246	Rack, French Fry
9	R5379	Rack, chicken holder

# Steam Generator Components



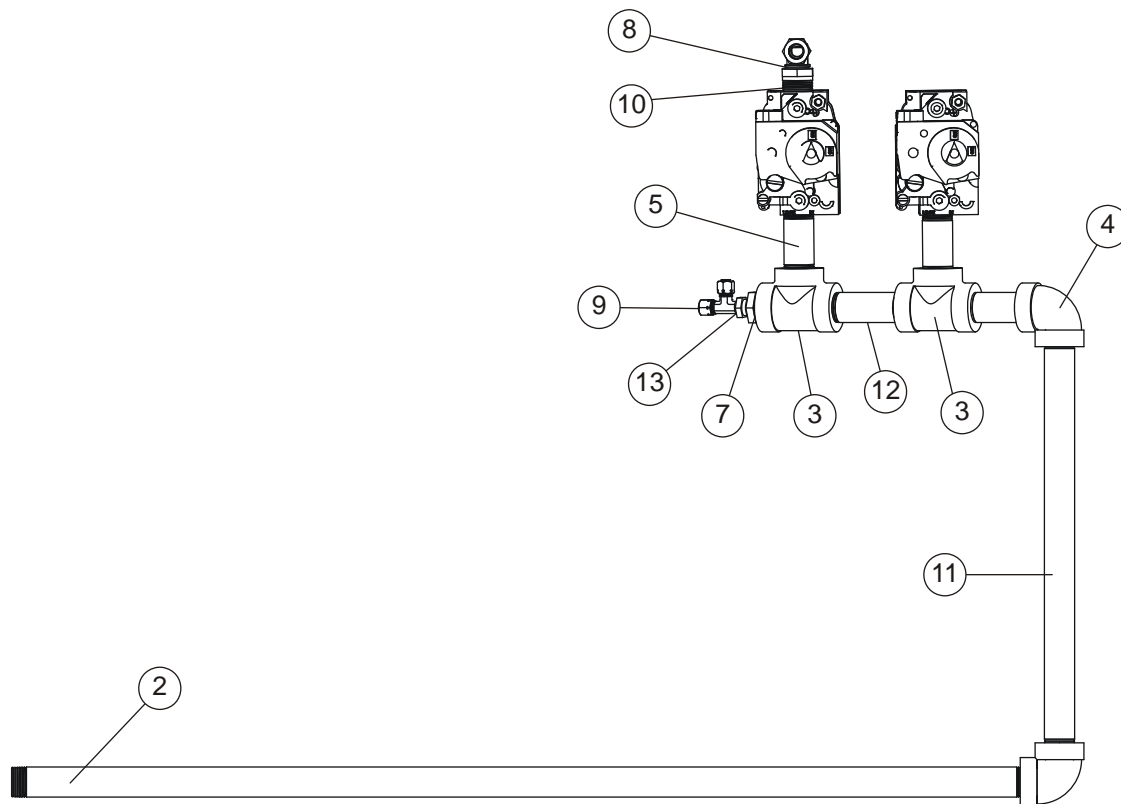
<u>Ref. No.</u>	<u>Part No.</u>	<u>Description</u>
1	R11217	Steam Generator Assy, Nat Gas (Burners are not included.)
2	50283	Float Swich Assy
3	R2726	Pump, Drain 115V
4	R8012	Thermostat : N/C:O(158)-C(131)- P11
5	R10745	Tube Assy, Fill
6	R8928	Burner Assy, Boiler, Nat
	R9239	Bracket, Float Tube Support
10	R10252	Gasket, Outer Plate
11	R8984	Fitting, Compression 3/8 x 3/8
	R11045	Insulation, Boiler (not shown)
	R8927	Insulation, Flue (not shown)
7	R8183	Plug, 1/4 NPT Brass
	R8071	Holder, Probe
	R8952	Tube, Flex .375 X 6"
8	R8175	Hose, 1.125 EDPM
9	R8016	Plate, Sensor MTG
13	R10774	Bracket, Pump MTG
	20348	Spark Box Nat & LP
14	R6490	Pilot Valve

# Door Components



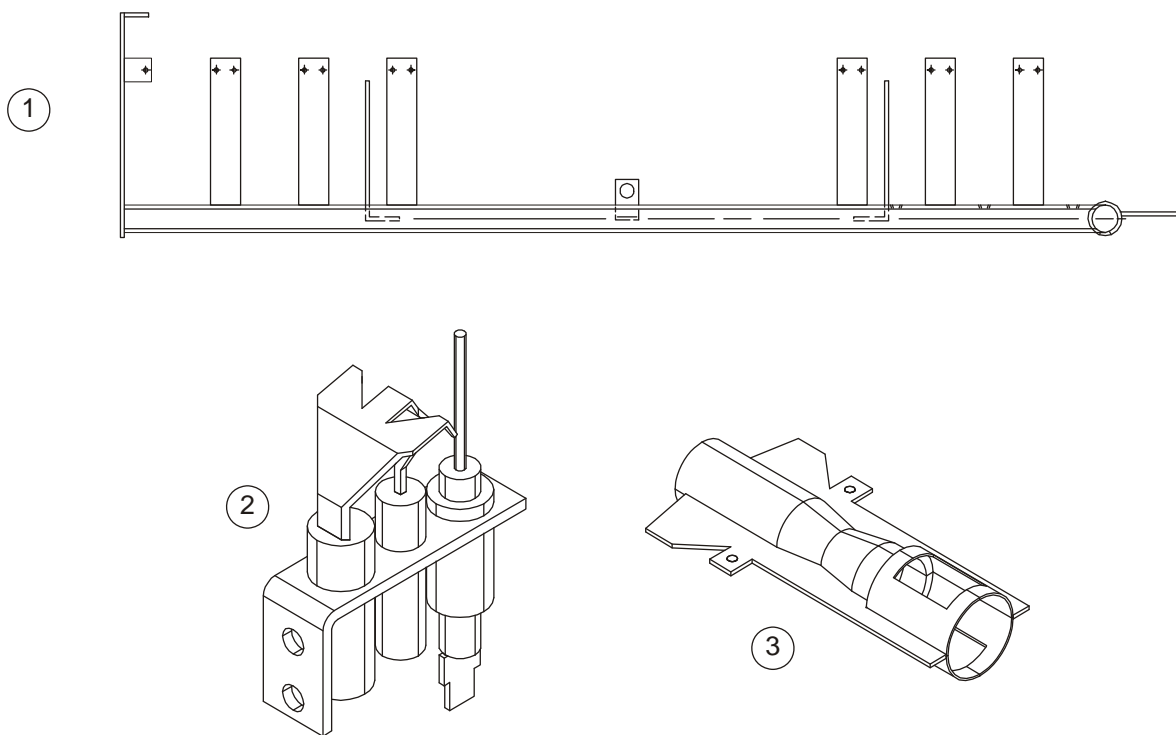
<u>Ref. No.</u>	<u>Part No.</u>	<u>Description</u>
1	R3460	Door Assy, BC20 Complete (includes Gasket part R4191 and the male end of the catch part R0923)
2	R4191	Gasket, Door Complete
	R3496	Retainer strip, Gasket, Verticle
	R3497	Retainer strip, Gasket, Horizontal
3	R5797	Window, Door
4	R2105	Gasket, Window (32 ft total)
5	R11106	Handle, Door Assy Complete
6	R1082	Latch, Door Cam
7	R7944	Plate, Door Latch Mounting
	R11104	Cap Screw, 3/8-16X2.50
	R0274	Catch assy, Door (on door)
	R0922	Catch, Ball- Female (on oven)
	R2844	Pin, Door, Upper
	R3510	Pin, Door, Lower
	R4130	Plate Hinge and Pin Assy
	4068	Grommet, Rubber
8	R4588	Switch Assy, Door
9	R6979	Door Gasket Guard
	R7945	Brackey, Latch Mount

# Gas Train Components- Hot Air



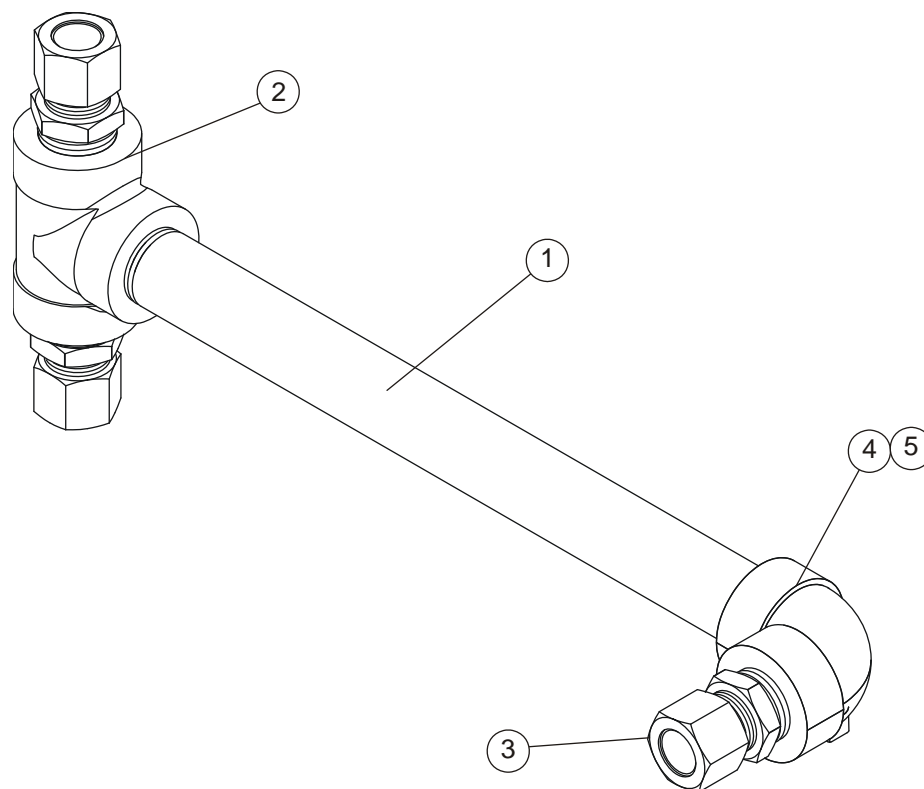
<b>Ref. No.</b>	<b>Part No.</b>	<b>Description</b>
2	R6161	Nipple, 3/4" NPT x 31.00
3	17875	Tee, 3/4" NPT
4	R4668	Elbow 3/4" NPT
5	R6162	Nipple, Pipe 3/4" NPT x 2.50
6	30005	VALVE, 24V NAT GAS
	30006	VALVE, 24V LP GAS
7	R6283	Bushing, Hex 3/4" NPT x 1/4" NPT
8	15660	Elbow, 1/2CC X 1/2 Male
9	R7469	Tee, Comp 1/8 NPT x 1/4 x 1/4
10	17876	Bushing, Hex
11	R6163	Nipple, Pipe 3/4" NPT x 14.00
12	R4692	Nipple, Pipe 3/4" NPT x 3.00
13	M0278	Bushing, Hex 1/4" x 1/8" NPT

# Manifold Assy



Ref. No.	Part No.	Description
	R10959	Manifold Assy, Nat Complete (includes everything listed below)
1	R3059	Manifold, Burner
	R10890	Orifice, Burner 1/16" Drill (qty 12)
2	R4551	Pilot Assy, (qty 2)
3	R2953	Burner, In shot (qty 12)
	R4628	Orifice, Pilot Nat (qty 2)
	4872	Plug, Pipe 1/8 steel
	M1420	Washer, Lock #6 steel (qty 28)
	R0726	Washer, Lock #10 (qty 4)
	R2825	Screw, Mach 10-32x3/8 SS (qty 4)
	5805	Screw, Mach 6-32x3/8 Unplt (qty 28)

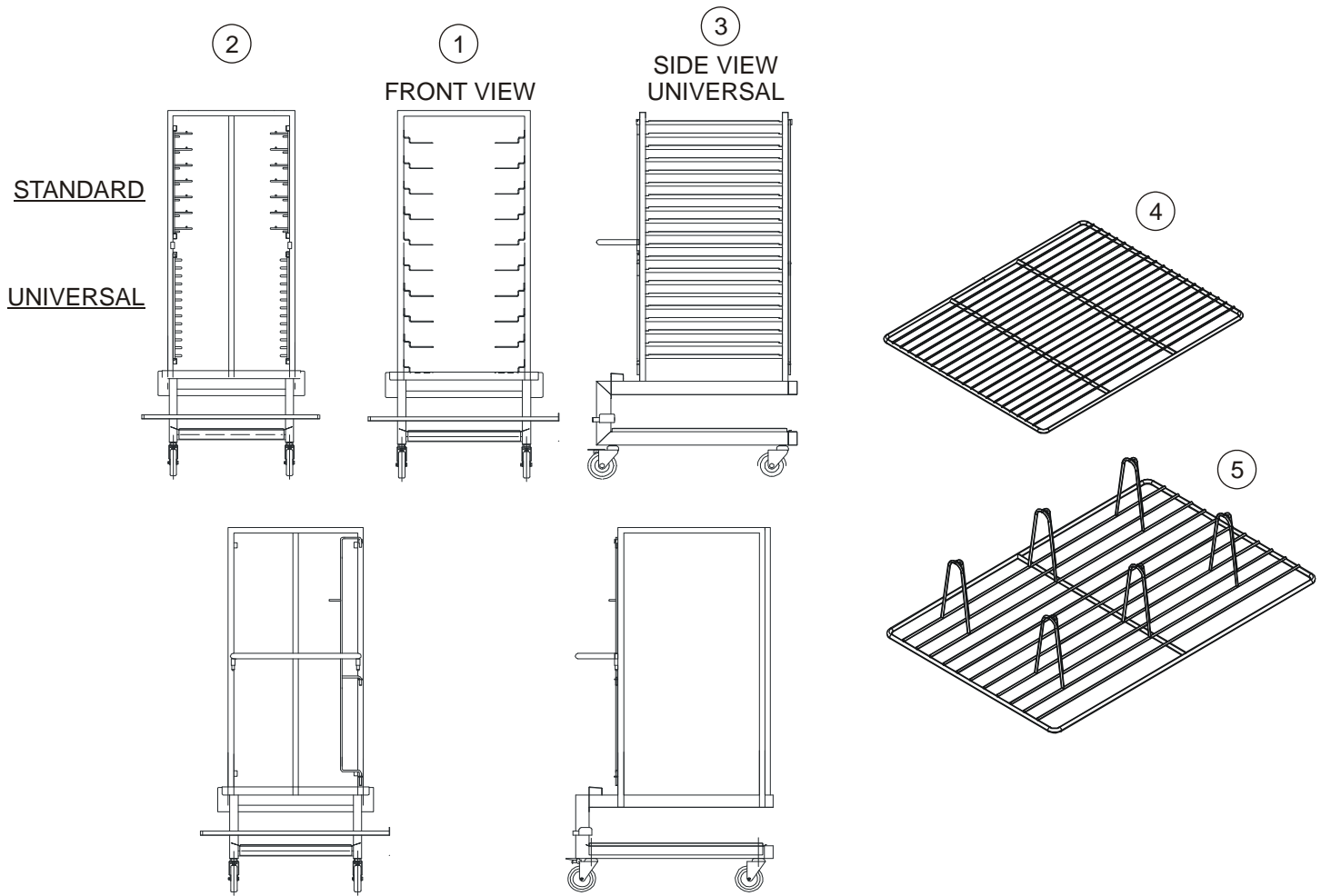
# Gas Steam Train Plumbing Assy



<b>Ref. No.</b>	<b>Part No.</b>	<b>Description</b>
	R10832	Assy, Gas Steam Train Plumbing (includes everything listed below)
1	R3376	Nipple, .5 X 9.7 NPT BLK.
2	R3378	Tee, 1/2 X 1/2 X 1/2
3	18570	Fitting, Compression
4	4872	Plug, Pipe 1/8 NPT
5	5115	Elbow, 1/2 " NPT



# Accessories



## TC 14 CART W/O RACK GUIDES

Ref. No.	Part No.	Description
	R5989	TC-10 Transport Cart, 10 Shelf Universal Rack Guides (welded, non-removable)
1	R5839	TC-20 Transport Cart, 20 shelves at 2-2/8" spacing
2	* R5792 + R4487 + R8654 *	TC14 CART SHOWN WITH BOTH THE SRG AND URG RACK GUIDES.
3	R5792	TC-14 Transport Cart- this is just the frame system. You need to choose which type of Rack Guides you would like to use.
	R4487	SRG- Standard Rack Guide- 2 sets per cart (4 each)
	R5321	URG- Universal Rack Guide - 2 Sets per cart (4 each)
	R3492	Standard Leg for cart (each)
	R4803	Seismic Leg for Cart (each)
	R6184	Seismic Leg for Cart (set of four)
4	R5324	Wire Shelf, for TC-14 style cart
4	R1013	Wire Shelf, for TC-20 style cart
	38073	Water Filter System BWG-12K
	38090	Kit, Water Filter Accessory (hardware for 38073)
	R10899	Hose Assy, 10', S/S Flex
	D0246	Rack, French Fry
5	R5379	Rack, Chicken
	20435	Leg Set, 4" Legs, Set of Four