

BLODGETT® **BLODGETT**® **BLODGETT**® **BLODGETT**®

BLODGETT® **BLODGETT**® **BLODGETT**®

BLODGETT® **BLODGETT**® **BLODGETT**® **BLODGETT**®

BLODGETT **COMBI**®

COS-6, COS-101 and COS-101S
ELECTRIC COOKING APPLIANCES
INSTALLATION – OPERATION – MAINTENANCE

COS-6, COS-101 and COS-101S
APPAREILS DE CUISSON D'ÉLECTRIQUE
MANUEL D'INSTALLATION – FONCTIONNEMENT – ENTRETIEN



BLODGETT COMBI

www.blodgett.com

44 Lakeside Avenue, Burlington, Vermont 05401 USA Telephone (800) 331-5842, (802) 860-3700 Fax: (802)864-0183

PN R8131 Rev J (4/09)

© 2009 – Blodgett Combi

**A PERSONAL WORD FROM BLODGETT COMBI
QUELQUES MOTS DE BLODGETT COMBI**

Congratulations on your purchase of a BLODGETT Combi appliance. We firmly believe that your choice has been a wise one, and trust you will receive many years of excellent service from your new Combi.

You will find that cooking with Combi appliances saves time, labor and extensive cleaning of both the kitchen and the unit.

With Combi appliances the quality, taste, consistency, and look of your food are improved, thus endorsing the policy to which we've always adhered: "For Better Cooking!"

Once you've had a chance to use your Combi, please tell us, your dealer and colleagues about any creative and interesting applications you have discovered; exchange ideas with other users. Be sure to advise us or your dealer immediately should any mechanical or technical problems be encountered (...we're here to help!) and above all "Enjoy Cooking the BLODGETT Combi Way!"

For information on cooking, please refer to our separate cooking guide.

Toutes nos félicitations sur votre achat d'appareil de Blodgett Combi. Nous croyons fermement que votre choix est un choix raisonnable et nous sommes certains que vous obtiendrez de nombreuses années d'excellent service de votre nouveau four multi-usages.

Vous allez découvrir que la cuisson dans les appareils Combi économise le temps, le travail et le degré de nettoyage de l'appareil aussi bien que de la cuisine.

Avec les appareil de Combi, la qualité, le goût, la consistance et l'apparence des aliments sont améliorés, s'accordant, de ce fait, avec notre politique "Pour une meilleure cuisson !"

Une fois que vous aurez eu la chance d'utiliser notre Combi, informez nous, votre concessionnaire et vos collègues, de toutes les applications nouvelles et intéressantes que vous avez découvertes ; échangez vos idées avec d'autres utilisateurs. N'hésitez pas à nous prévenir, ou votre concessionnaire, de tout problème mécanique ou technique que vous pourriez rencontrer (... nous sommes ici pour vous aider) et par-dessus tout "Régalez-vous à cuisiner à la façon BLODGETT Combi!"

Pour obtenir de plus amples informations sur l'art culinaire, veuillez consulter notre livre de cuisine séparé.

BLODGETT COMBI®

IMPORTANT

WARNING: IMPROPER INSTALLATION, ADJUSTMENT, ALTERATION, SERVICE OR MAINTENANCE CAN CAUSE PROPERTY DAMAGE, INJURY OR DEATH. READ THE INSTALLATION, OPERATING AND MAINTENANCE INSTRUCTIONS THOROUGHLY BEFORE INSTALLING OR SERVICING THIS EQUIPMENT

AVERTISSEMENT: UNE INSTALLATION, UN AJUSTEMENT, UNE ALTÉRATION, UN SERVICE OU UN ENTRETIEN NON CONFORME AUX NORMES PEUT CAUSER DES DOMMAGES À LA PROPRIÉTÉ, DES BLESSURES OU LA MORT. LISEZ ATTENTIVEMENT LES DIRECTIVES D'INSTALLATION, D'OPÉRATION ET D'ENTRETIEN AVANT DE FAIRE L'INSTALLATION OU L'ENTRETIEN DE CET ÉQUIPEMENT.

FOR YOUR SAFETY

Do not store or use gasoline or other flammable vapors or liquids in the vicinity of this or any other appliance.

AVERTISSEMENT

Ne pas entreposer ni utiliser de l'essence ni d'autres vapeurs ou liquides inflammables dans le voisinage de cet appareil, ni de tout autre appareil.

The information contained in this manual is important for the proper installation, use, and maintenance of this oven. Adherence to these procedures and instructions will result in satisfactory baking results and long, trouble free service. Please read this manual carefully and retain it for future reference.

Les informations données dans le présent manuel sont importantes pour installer, utiliser et entretenir correctement ce four. Le respect de ces instructions et procédures permettra d'obtenir de bons résultats de cuisson et une longue durée de service sans problèmes. Veuillez lire le présent manuel et le conserver pour pouvoir vous y reporter à l'avenir.

Errors: Descriptive, typographic or pictorial errors are subject to correction. Specifications are subject to change without notice.

Erreurs: Les erreurs de description, de typographie ou d'illustration font l'objet de corrections. Les caractéristiques sont sujettes à modifications sans préavis.

Your Service Agency's Address:
Adresse de votre agence de service:



Model/Modèle:

Serial Number/Numéro de série:

Your oven was installed by/
Installateur de votre four:

Your oven's installation was checked by/
Contrôleur de l'installation de votre four:

Table of Contents/Table des Matières

Introduction		Introduction	
The Blodgett Combi-Oven/Steamer	2	Le Combi-four/étuve à vapeur Blodgett . .	24
Description of the Combi-Oven/Steamer .	3	Description du Combi-four/étuve à vapeur	25
Oven Features	4	Caractéristiques du four	26
Installation		Installation	
Owner's Responsibilities	5	Responsabilités du propriétaire	27
Location	6	Placement	28
Agency Approvals	7	Normes et Codes	29
Utility Connections	8	Branchement Utilitaires	30
Utility Connections	9	Branchement Utilitaires	31
Leg Attachment	10	Fixation des pieds	32
Stacking	11	Superposition - Assemblage section double	33
Adjustments	12	Vérification finale et derniers réglages . .	34
Final Check Lists	13	Vérifications Finales	35
Operation		Utilisation	
Oven Start-Up	14	Mise en Marche du Four	36
Standard Controls	15	Contrôles Standards	37
Optional Cook & Hold	17	Cuisson et Pause en Option	39
Optional Meat Probe	20	Sonde à Viande en Option	43
Maintenance		Entretien	
Spray Bottle Operating Procedure	21	Procédé de fonctionnement de la bouteille vaporisatrice	44
Cleaning and Preventive Maintenance . .	22	Entretien Préventif et Nettoyage	45
Decalcification	23	Détartrage	46



Introduction

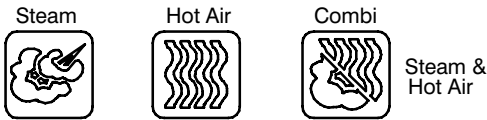
The Blodgett Combi-Oven/Steamer

For quite some time, commercial cooking equipment has remained more or less unchanged. There are kettles, deck ovens, the good old range with its legion of pots and many other extra appliances. The result: time expenditure, excessive manual work, and countless cleaning processes. The last few years have paved the way for a revolution in the equipment of restaurant and institutional kitchens.

The Blodgett Combi-Oven/Steamer offers a completely new method of cooking. With the Oven/Steamer you have the choice of **two cooking processes: Steam and Hot Air**, either...

- **Separately**
- **Combined, or**
- **In Sequence**

And for easy operation you can choose from three modes:



In the Steam mode you can:

- steam
- defrost
- blanch
- rethermalize
- poach

In the Hot Air mode you can

- roast
- bake
- braise

In the Combi mode you can:

- defrost
- reheat
- proof*
- roast
- bake
- cook & hold*
- rethermalize
- sous vide*

* with optional digital controls

Not only that, you can use two or three functions in sequence during one cooking process. We call this:

- combi-steaming
- combi-roasting
- combi-baking

The combination of circulating hot air and steam in the space saving, high performance Combi-Oven/Steamer leads to improvements in the following areas:

- increased productivity in the kitchen
- a reduction in capital expenditures for multiple equipment replacement
- a wider range of menu choices
- a simplified cleaning process

The work process is simplified since products are prepared on or in steam table pans and trays. Food can be cooked, stored, and transported with the same pans. Small amounts of product can be processed efficiently; pre-cooked and convenience foods can be reheated within minutes. Many frozen foods can be processed without pre-thawing. This flexibility reduces the need for kettles and steam tables since there is no need to keep large amounts of food warm for long periods of time.

Today the improvement of food quality is more important than ever. Vegetables are cooked in the Blodgett Combi-Oven/Steamer without water at the optimal temperature of just under 212°F (100°C), maintaining valuable vitamins, minerals, nutrients and trace elements. Cooking meat in the Combi results in less shrinkage and a firmer, juicier product. The Blodgett Combi-Oven/Steamer is being used more and more for baking. Steam and Hot Air modes make it a general purpose baking appliance.



Description of the Combi-Oven/Steamer

ABOUT THE OVEN/STEAMER

Blodgett Combi-Oven/Steamers are quality produced using high-grade stainless steel with first class workmanship.

The high performance fresh steam generator with its control system makes it possible to enjoy all of the advantages of a high quality steamer at the flick of a switch. Fresh steam enters the oven cavity without pressure and is circulated at high speed. This process enables quick and gentle cooking and ensures high quality food while providing convenient working methods. The steam generator is completely automatic and protected from running dry.

A patented quench system keeps the air in the oven clean. Fumes which arise from roasting and grilling are extracted from the appliance, quenched, and directed out through the condenser drain. The exhaust system is effective in all cooking modes and results in better quality foods and **no flavor transfer**. The fan, which is guarded against accidental finger contact, is driven by a quiet and powerful motor. The condenser draws out excess steam from the appliance. Condensation and waste water, which result during steaming and cleaning, are continuously drained.

The use of high quality insulation impedes excessive heat radiation and saves energy.

The Oven/Steamer has optional adjustable legs which adapt easily to slightly uneven surfaces and optional floor stands which are designed for use with all of the table models.

OVEN/STEAMER OPERATION

The practical oven door, with a viewing window, has a wide swing radius and handle which can be operated easily, even with wet or greasy hands.

Ease of operation is guaranteed through the simple arrangement of the controls. Graphic symbols make the appliance easy for even inexperienced kitchen staff to operate. Steam, Hot Air and Combi modes can be selected with one switch. A fourth function on the mode selection switch, the Cool Down mode, allows the oven cavity to cool down rapidly with the door opened or closed.

Cleaning is kept to a minimum. The interior is sprayed with a self-acting cleaning solution which interacts with steam to easily remove crusts and stains. The oven is designed for easy care and is welded water tight so that the internal cooking cavity may be rinsed with a hose after the steam cleaning process.



Introduction

Oven Features

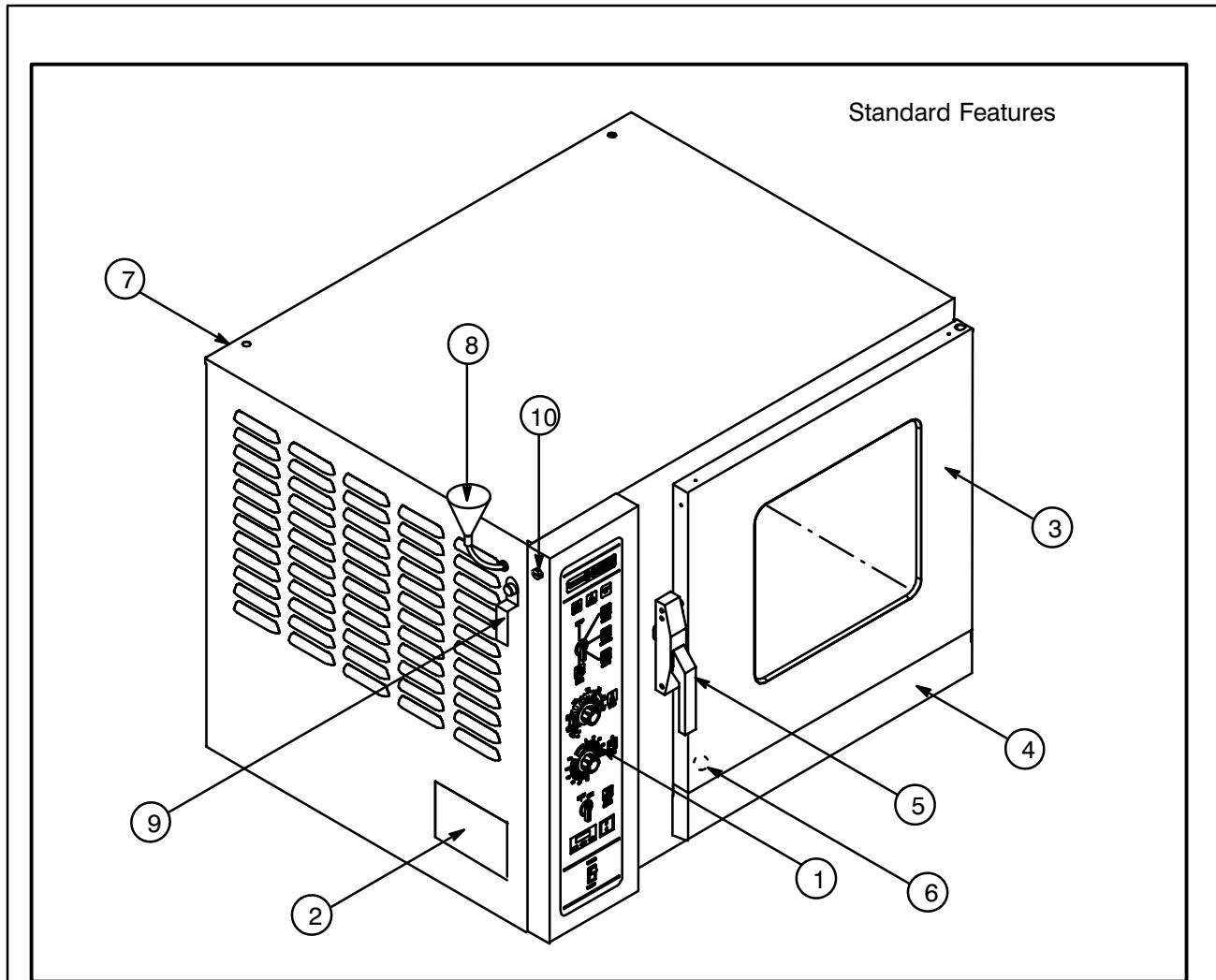


Figure 1

- | | |
|---|--------------------------------|
| 1 | Control Panel |
| 2 | Fuses, Power Supply |
| 3 | Oven Door |
| 4 | Drip Collector (self draining) |
| 5 | Door Handle |

- | | |
|----|--------------------------------------|
| 6 | Door Contact Switch |
| 7 | Vent (not shown) |
| 8 | Decalcifying Inlet & Funnel Assembly |
| 9 | Decalcifying Valve Lever |
| 10 | Tilt Down Panel Screw |

Installation



Owner's Responsibilities

- Oven(s) are uncrated, stacked (if applies) and put in place.

NOTE: Please refer to Leg Attachment and Stacking Addendum.

- The owner/operator must have the following plumbing and electrical requirements met and installed.

NOTE: Refer to the Utility Connection information provided.



WARNING!!

Improper installation, adjustment, alteration service or maintenance can cause property damage, injury or death. Read the installation, operation and maintenance instructions thoroughly before installing or servicing this equipment.

PLUMBING										
Water										
Water Pressure (min/max)					40 PSI min / 50 PSI max					
Cold Water Connection					3/4" Hose Fitting, 3/8" ID hose minimum					
Water Regulator Setting					35 PSI static					
Minimum requirements					TDS – less than 100 parts per million Total Hardness – 80-120 parts per million Chlorides – less than 30 parts per million pH Factor – 7.0-8.0					
Drainage					Atmospheric Vented Drain					
Drain Connection					2" Copper					
Avg Water Drain Temp.					Approximately 122°F / 50°C					
ELECTRICAL										
		COS-6			COS-101			COS-101S		
Electrical		9.4 kw			18.5 kw			18.5 kw		
		Amp/line (max)			Amp/line (max)			Amp/line (max)		
		Volt	3 Phase	1 Phase	Volt	3 Phase	1 Phase	Volt	3 Phase	1 Phase
		208	26	46	208	52	89	208	52	89
		240	23	40	240	45	77	240	45	77
					480	22	N/A	480	22	N/A
Blower Motor		.33 HP / .4 kW			.5 HP / .5 kW			.5 HP / .5 kW		



Installation

Location

The well planned and proper placement of your appliance will result in long term operator convenience and satisfactory performance.

The following clearances must be maintained between the unit and any combustible or non-combustible construction.

- Oven body right side – 1" (2.54 cm)
- Oven body left side – 4" (10 cm)
- Oven body back – 6" (15 cm)

NOTE: For models with hose assemblies on the back of the unit, the hose must be 1" (2.54 cm) from the wall.

The following clearances are recommended, but not required, for servicing.

- Oven body sides – 12" (30 cm)
- Oven body back – 12" (30 cm)

Place the unit in an area which is free of drafts and accessible for proper operation and servicing.

Keep the oven area free and clear of all combustibles such as paper, cardboard, and flammable liquids and solvents.

DO NOT place the oven on a curb base or seal to the wall; either condition will prevent proper ventilation to the blower motors. Slight unevenness can be corrected with the adjustable legs.

Heat and water sources must not be located near the air vents on the left side of the unit. Consult the factory for an optional protective side heat shield kit if a warm surface or water source is to the left of the unit.

On all models, tripping the blower motor's thermal overload device indicates an excessive ambient temperature on the left side of the unit. This must be corrected to prevent permanent damage to the appliance. All motor bearings are permanently lubricated by the manufacturer; there is no need for additional lubrication during the operational life-time of the motors.



Agency Approvals

THE INSTALLATION INSTRUCTIONS CONTAINED HEREIN ARE FOR THE USE OF QUALIFIED INSTALLATION AND SERVICE PERSONNEL ONLY. INSTALLATION OR SERVICE BY OTHER THAN QUALIFIED PERSONNEL MAY RESULT IN DAMAGE TO THE OVEN AND/OR INJURY TO THE OPERATOR.

Qualified installation personnel are individuals, a firm, a corporation, or a company which either in person or through a representative are engaged in, and are responsible for:

- The installation of electrical wiring from the electric meter, main control box or service outlet to the electric appliance.

Qualified installation personnel must be experienced in such work, be familiar with all precautions required and have complied with all requirements of state or local authorities having jurisdiction.

U.S. and Canadian Installations

Reference: *National Electrical Code, ANSI/NFPA 70—Latest Edition and/or Canadian Electrical Code CSA C22.1* as applicable.

This equipment is to be installed in compliance with the *Basic Plumbing Code of the Building Officials and Code Administrators International Inc. (BOCA)* and the *Food Service Sanitation Manual of the Food and Drug Administration (FDA)*.

Appliance is to be installed with backflow prevention in accordance with applicable federal, province and local codes.

General Export Installations

Installation must conform with Local and National installation standards. Local installation codes and/or requirements may vary. If you have any questions regarding the proper installation and/or operation of your unit, please contact your local distributor. If you do not have a local distributor, please call Blodgett Combi at 0011-802-860-3700.





Installation

Utility Connections

COLD WATER CONNECTION

Connect the appliance to quality water via a pressure hose with 3/4" couplings. A shut off valve is to be provided adjacent to the oven.

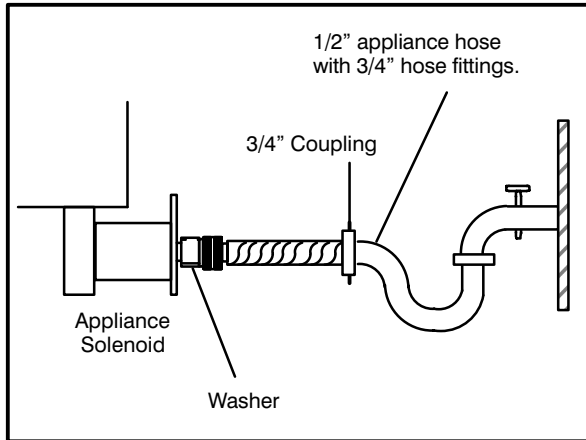


Figure 2



WARNING!!

The use of poor quality water will invalidate your warranty.

This product must be installed by a licensed Plumber or Gas Fitter when installed within the Commonwealth of Massachusetts.

DRAIN CONNECTION

The Drain Vent assembly, included with the unit, and a 2" (5 cm) copper pipe with standard drain pitch, must be run to an open drain or connected to a standpipe equipped with a vent.

NOTE: The waste water can also be directed to a nearby floor drain. Flexible hose which allows trapped water to accumulate in sagged runs must be avoided.



WARNING!!

Failure to install the drain kit provided will invalidate your warranty.

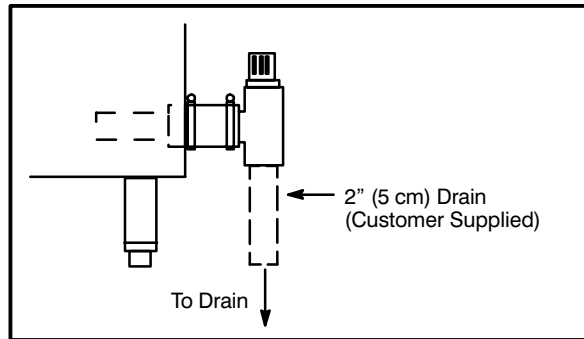


Figure 3

A 24" (61 cm) long standpipe must be connected to the DWV. This allows the escaping water vapor to exit above the inlet louvers on the back panel.

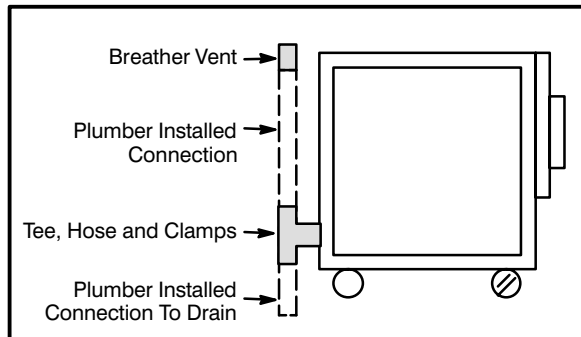


Figure 4



ELECTRICAL CONNECTIONS

Before making any electrical connections to these units, check that the power supply is adequate for the voltage, amperage, and phase requirements stated on the rating name plate mounted on the right side of the unit.

U.S. and Canadian installations

All ovens, when installed, must be electrically grounded in accordance with local codes, or in the absence of local codes, with the *National Electrical Code, ANSI/NFPA 70—Latest Edition and/or Canadian National Electric Code C22.2* as applicable.

General export installations

Installation must conform with Local and National installation standards.



WARNING!!

On 480V units, the fan should be checked to ensure the proper rotation after connecting the appliance. See Figure 5. If the fan turns in the wrong direction, the appliance will not function properly and damage to the unit can occur. Improper connection of the appliance renders the warranty invalid.

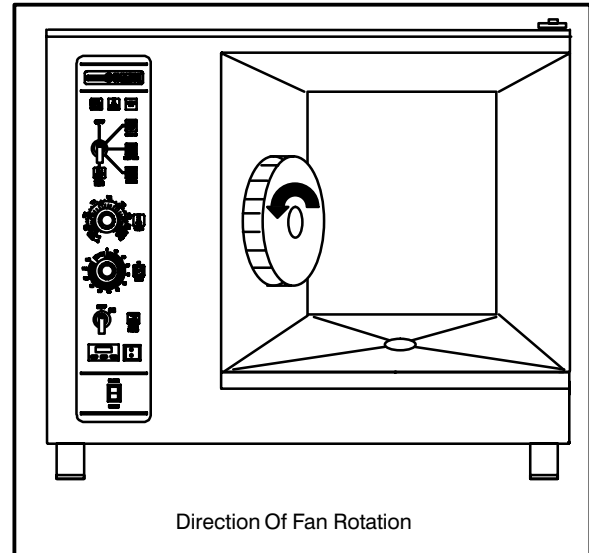


Figure 5

NOTE: Disconnect the power supply to the unit before servicing.

NOTE: All manual resets should be restored before connecting power to the appliance.



WARNING!!

Improper installation will invalidate your warranty.



Installation

Leg Attachment

LEG VARIATIONS

Legs are available in 4" (101mm), 6" (152mm) or 25" (635mm) lengths or low profile casters. The 6" legs are used on the lower section of a double stacked unit. The 4" legs may be used with the optional stands if additional height is required or when mounting on a counter. The 25" legs are used for a single oven located on the floor.

NOTE: For safety reasons, casters must not be used with the 25" legs.

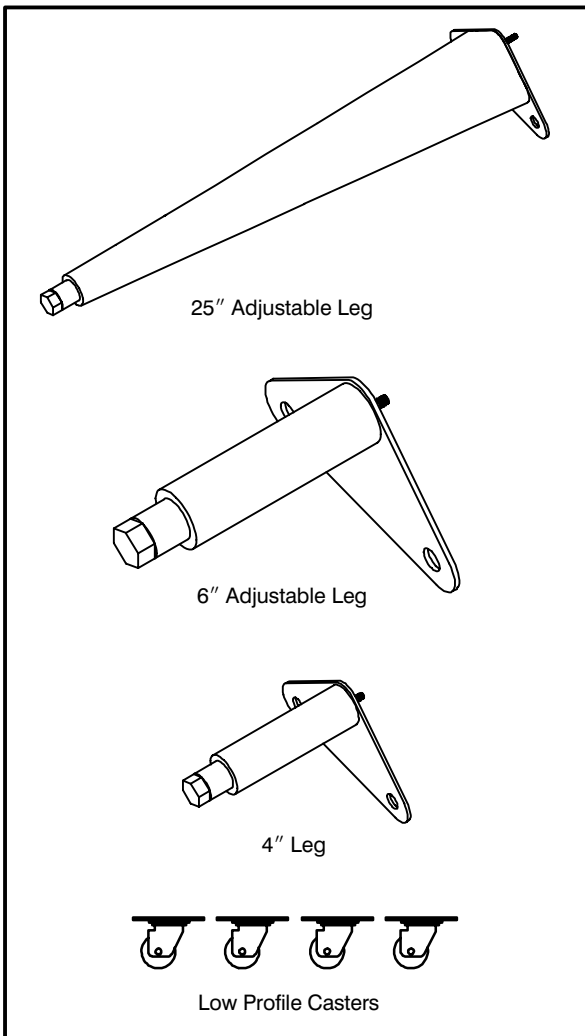


Figure 6

LEG ATTACHMENT

1. Align the threaded stud on one of the front legs to the bolt hole located in the unit's bottom corner. Turn the leg clockwise and tighten to the nearest full turn.
2. Align the leg plate holes with the bolt holes. Secure with the two 1/2" bolts provided.
3. Repeat the above steps with the other front leg. *If low profile casters are used, install them with the locking casters in the front of the oven. The rear casters do not lock. **Ensure that the locks are set on the front casters.***
4. Tip the oven up on the newly installed front legs. *If casters are used, check that the locks are set on the front casters.* Repeat the above steps for the rear legs.
5. Except for units with casters, level the oven by screwing the adjustable feet in or out as necessary.

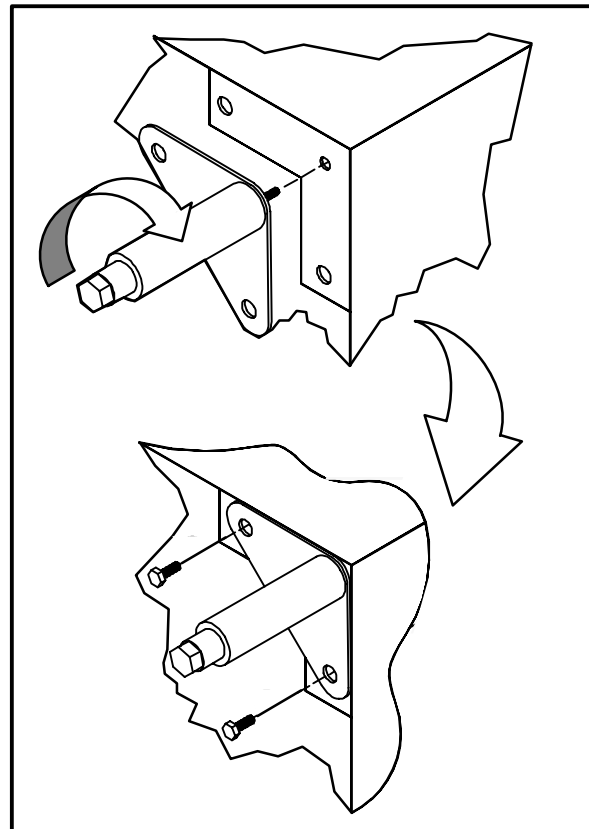


Figure 7



TO STACK TWO COS-6'S OR ONE COS-6 ON A COS-101:

1. Install the 6" legs as directed.
2. Center a COS-6 unit on top of the lower section.
3. Remove the screws from the rear access panel and remove the access panel from the bottom unit.
4. Carefully remove the fan plug and disassemble the steam vent.

NOTE: The fan plug connector can be easily damaged

5. Align the two rear bolt holes in the lower section with the two threaded holes in the upper section.
6. Insert a bolt from the bottom up through each of the two holes and tighten securely.
7. Reassemble the steam vent and reconnect the fan plug. Reinstall the rear access panel on the lower unit.

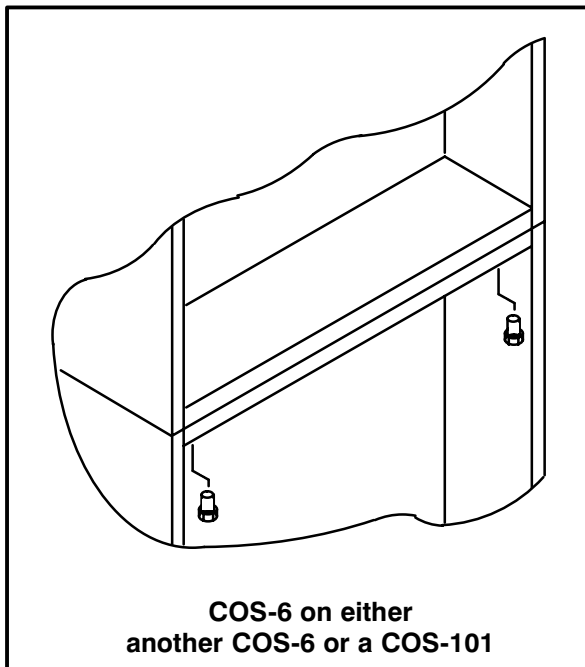


Figure 8

TO STACK A COS-6 ON A COS-101S:

1. Install the 6" legs as directed.
2. Place the COS-6 on top of the COS-101S. Make sure that the front and left hand side of the COS-6 line up evenly with the front and left hand side of the COS-101S.
3. Remove the left side access panel from the lower unit.
4. Thread one of the two supplied bolts up through the COS-101S's top rear frame member and into the bottom left rear corner of the COS-6.
5. Thread the second bolt down through the bottom rear frame member of the COS-6 into the nut welded to the frame member of the COS-101S.

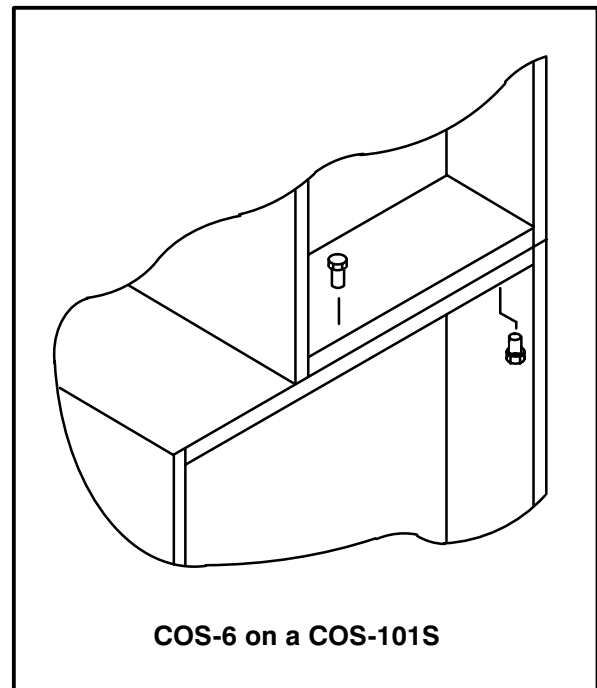


Figure 9



Installation

Adjustments

BEFORE SWITCHING THE APPLIANCE ON

Before applying power to the unit for the first time, check for the following conditions:

- All electrical safety provisions have been adhered to and the electrical connections are correct.
- The circulation fan turns counter-clockwise. Check rotation from inside the oven cavity.
- Water is connected, turned on and all of the connections are water tight.
- The grease filter and holder are in their proper positions.
- The pan holders on models COS-6 and COS-101 are inserted into the oven cavity. Stationary rack guides are provided with the COS-101S.



WARNING!!

If the fan turns in the wrong direction, the appliance will not function properly and can be damaged.

NOTE: When the unit is turned on, or after it has been OFF for 5 hours and then turned on, the steam generator automatically flushes for 75 seconds. The steam generator then fills to the proper water level. The unit is now ready for operation.

DOOR ADJUSTMENT

The door latch may be adjusted in two directions, in and out, and up and down, using the following procedure:

1. Adjust up and down by loosening the two bolts holding the latch to the face of the unit (A).
2. Make adjustments so that the leading face of the latch is centered in the opening of the handle assembly.
3. Tighten the bolts so that there is no further movement.
4. Adjust in and out by loosening the bolt on top of the latch (B).
5. The adjustment face is stepped so that movement is limited with the bolt tightened properly.
6. The adjustment is correct when the door closes firmly and no steam leaks from the gasket.

The hinges can also be adjusted as follows:

1. Be certain the latch is adjusted properly.
2. Adjust hinges so that the door back and the unit face are parallel (C).
3. The adjustment is correct when no steam leaks through the gasket.

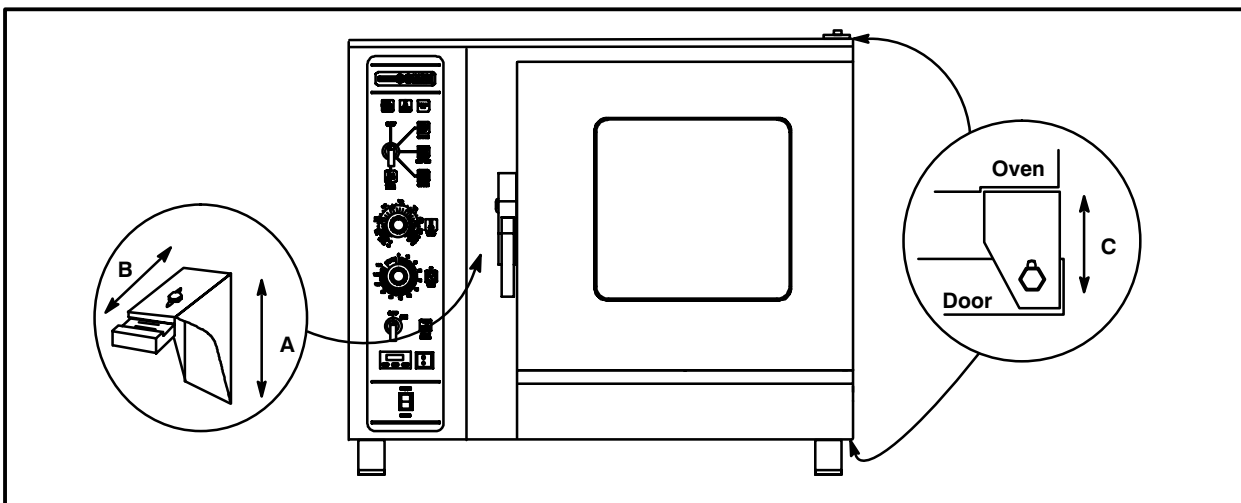


Figure 10



Final Check Lists

ELECTRICAL CONTROL COMPARTMENT

Applied voltage to unit voltage/phase suitable for appliance specified.

- Remove side panel
- Set motor protector (F2) to on position
- Adjust motor protector to maximum
- Reset high limit thermostats F3 and F6
- Check fuses
- Reinstall side panel

PLUMBING FINAL CHECK

- Incoming water pressure within 40 PSI (minimum) – 50 PSI (maximum)
- Atmospheric vented drain in place
- Water solenoid properly bracketed and not leaking
- Water feed lines intact without leaks
- Water pressure regulator is set to 35 psi
- Optional spray hose connected properly

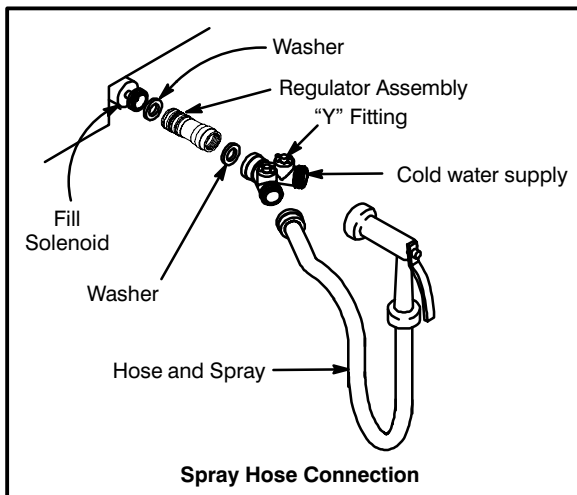


Figure 11

OVEN OPERATIONAL TESTS

NOTE: Checks to be made by customer or authorized service agent.

Cool Down Mode

- Verify oven fan runs with door open

Combi Mode

Turn to COMBI mode, set thermostat to 350°F (177°C) and verify:

- Boiler flushes and fills
- Boiler preheats to 185°F (85°C) then switches to HOT AIR
- When HOT AIR reaches 350°F (177°C) HOT AIR shuts off and STEAM comes on

Steam Mode

Turn on STEAM mode and verify (Control Panel Removed):

- Check timer operation in all three positions
 1. Set timer to OFF position, buzzer should sound
 2. Set timer in position other than OFF or STAY ON, timer should count down
 3. Set timer in STAY ON position, oven should operate continuously without timer
- Run light (power light) turns on
- Unit produces steam, window fogs, door seal does not leak
- Quenching system working

Hot Air Mode

Turn to HOT AIR mode and set thermostat to 400°F (205°C) and verify:

- Heat demand light is on
- Oven is heating properly
- Heat lights shuts off at 400°F (205°C) and oven maintains 400°F (205°C)



Operation

Oven Start-Up

STEAM MODE (if applicable)

1. Turn the mode selector switch to STEAM.
2. The green POWER Indicator lamp on the front control panel lights.
3. The steam generator flushes and drain automatically for 75 seconds if the unit has been off for at least 5 hours.
4. The steam generator begins to fill. After two minutes, the FILL indicator lamp on the front control panel blinks. The convection blower and POWER lamp turn off.
5. When the steam generator is filled to the proper level, the convection blower, interior lights and POWER indicator lamp turn on.
6. Steam fills the cavity and is controlled by a non-accessible internal thermostat.

HOT AIR MODE (if applicable)

1. Turn the mode selector switch to Hot Air.
2. The green POWER Indicator lamp on the front control panel lights.
3. Set the hot air thermostat to the desired temperature.
4. The thermostat lamp lights, indicating the cavity temperature is below the desired set point.
5. When the cavity temperature reaches the desired set point, the temperature indicator lamp goes off. The convection blower shuts off.

COMBI MODE (if applicable)

1. Turn the mode selector switch to COMBI.
2. The green POWER indicator lamp on the front control panel lights.
3. Set the Hot Air thermostat to the desired temperature.
4. The steam generator flushes and drain automatically for 75 seconds if the unit has been off for at least 5 hours.
5. The steam generator begins to fill. After two minutes the FILL indicator lamp on the front control panel blinks. The convection blower and POWER lamp do not shut down.
6. When the steam generator comes up to a predetermined temperature, the hot air thermostat lamp illuminates, indicating the cavity temperature is below the desired set point.
7. When the cavity temperature reaches the desired set point, the temperature indicator lamp goes off.
8. The steam and hot air burners toggle back and forth responding to the thermostat set points.



Standard Controls

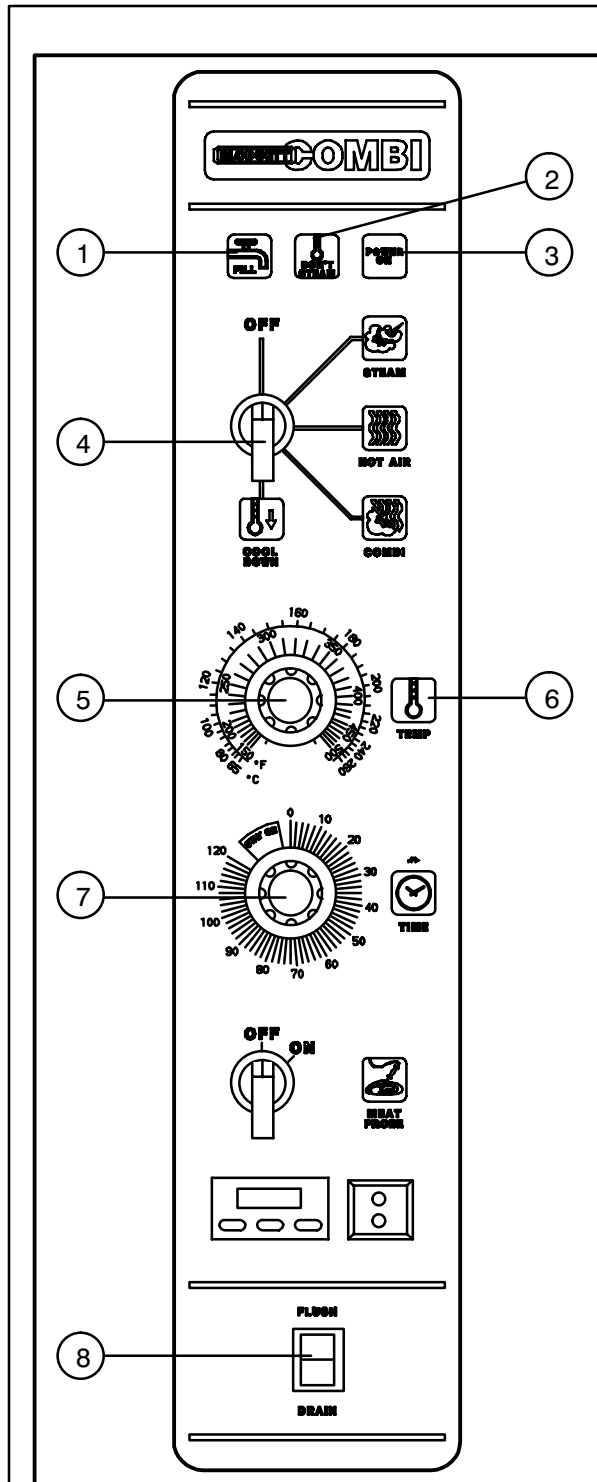


Figure 12

CONTROLS IDENTIFICATION

1. **LOW WATER FILL LIGHT** – during the fill cycle, this light remains on until the water in the steam generator is at the proper level and up to temperature. During normal operation the light should not be on. If the light comes on, check the water level in the steam generator.
2. **DON'T STEAM LIGHT** – indicates the unit is too hot to operate in the steam mode. Place the unit in the Cool Down mode until the temperature is below 230°F (110°C) and open the door. This light does not inhibit steam production.
3. **POWER ON LIGHT** – indicates the unit is in Steam, Hot Air or Combi.
4. **MODE SELECTOR SWITCH** – turns power to the oven on or off. Allows selection of Steam, Hot Air, Combi or Cool Down Modes.
5. **TEMPERATURE DIAL** – used to set desired cooking temperature.
6. **HEATING INDICATOR LIGHT** – lights when the Hot Air heating is in operation.
7. **TIMER DIAL** – used to set desired cooking time.
8. **FLUSH/DRAIN SWITCH** – used to flush/drain the steam generator for decalcification.

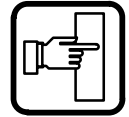


Operation

Standard Controls

OPERATION

1. Turn the MODE SELECTOR Switch (4) to the desired function.
The POWER ON Light (3) illuminates.
2. Set the TIMER (7) for the desired cooking time or set it to *STAY ON*. The buzzer sounds and the unit shuts off when the time has expired.
3. For the HOT AIR and COMBI modes, set the TEMPERATURE Dial (5) to the desired cook temperature. The HEATING INDICATOR Light (6) illuminates and stays lit until the desired temperature is reached. The temperature dial does not operate during the STEAM portion of the COMBI mode.
4. The selected mode operates automatically. The temperature, time and mode can be altered at any time during the cooking process. The operation can be stopped by the use of the Mode Selector Switch or by opening the door.
5. At the end of the specified time period, the buzzer sounds and the appliance shuts off automatically. Move the TIMER (7) to the *STAY ON* position to stop the buzzer and restart the unit.
6. To cool down the oven cavity, switch the MODE SELECTOR Switch (4) to COOL DOWN. In the Cool Down mode neither the temperature dial or the timer will be operational. The blower will function with the door open or closed.
7. The mode selector switch is also the main power switch. In the OFF position the appliance is not operational.



Optional Cook & Hold

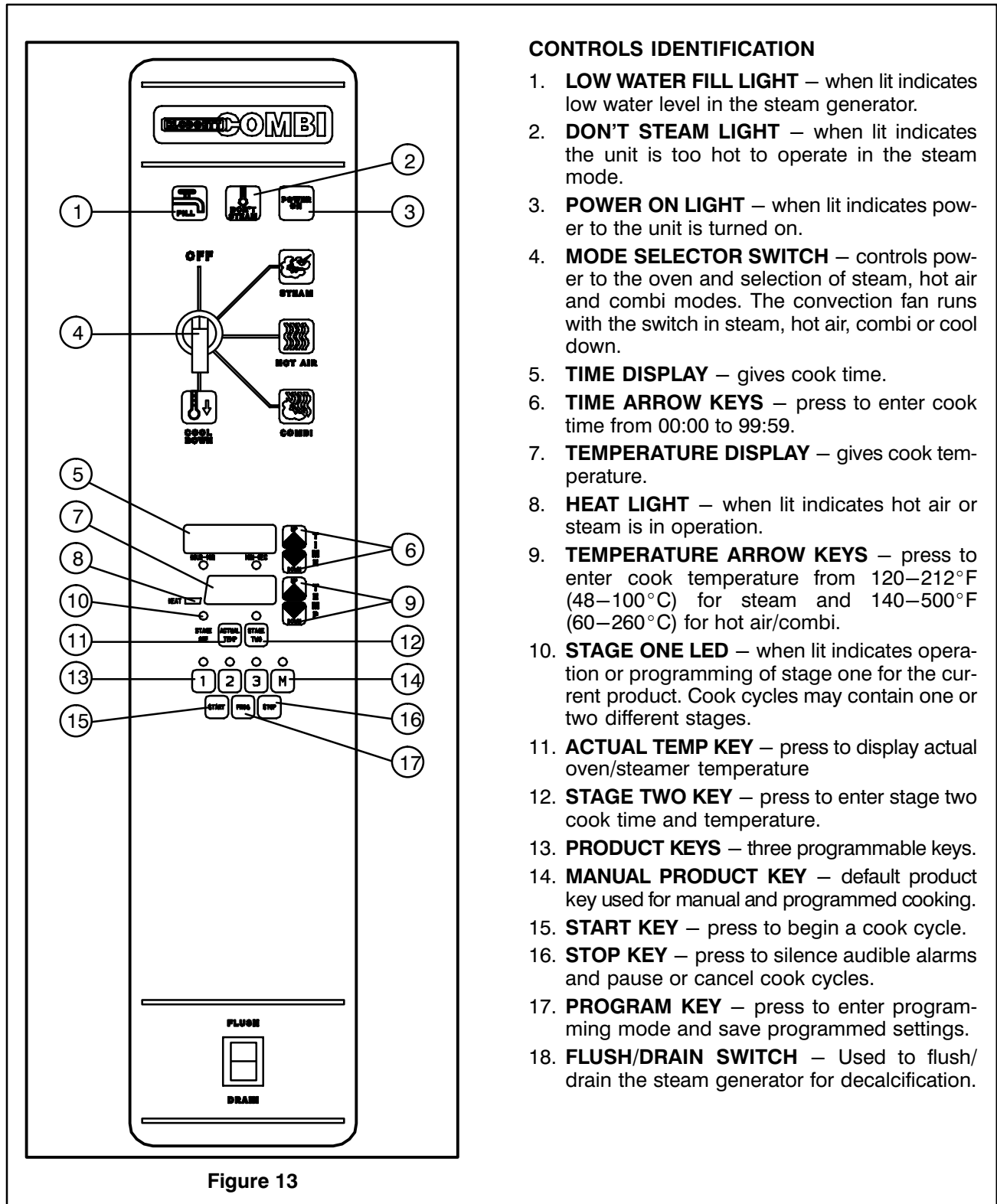


Figure 13

CONTROLS IDENTIFICATION

1. **LOW WATER FILL LIGHT** – when lit indicates low water level in the steam generator.
2. **DON'T STEAM LIGHT** – when lit indicates the unit is too hot to operate in the steam mode.
3. **POWER ON LIGHT** – when lit indicates power to the unit is turned on.
4. **MODE SELECTOR SWITCH** – controls power to the oven and selection of steam, hot air and combi modes. The convection fan runs with the switch in steam, hot air, combi or cool down.
5. **TIME DISPLAY** – gives cook time.
6. **TIME ARROW KEYS** – press to enter cook time from 00:00 to 99:59.
7. **TEMPERATURE DISPLAY** – gives cook temperature.
8. **HEAT LIGHT** – when lit indicates hot air or steam is in operation.
9. **TEMPERATURE ARROW KEYS** – press to enter cook temperature from 120–212°F (48–100°C) for steam and 140–500°F (60–260°C) for hot air/combi.
10. **STAGE ONE LED** – when lit indicates operation or programming of stage one for the current product. Cook cycles may contain one or two different stages.
11. **ACTUAL TEMP KEY** – press to display actual oven/steamer temperature
12. **STAGE TWO KEY** – press to enter stage two cook time and temperature.
13. **PRODUCT KEYS** – three programmable keys.
14. **MANUAL PRODUCT KEY** – default product key used for manual and programmed cooking.
15. **START KEY** – press to begin a cook cycle.
16. **STOP KEY** – press to silence audible alarms and pause or cancel cook cycles.
17. **PROGRAM KEY** – press to enter programming mode and save programmed settings.
18. **FLUSH/DRAIN SWITCH** – Used to flush/drain the steam generator for decalcification.



Operation

Optional Cook & Hold

MANUAL OPERATION

1. Turn the SELECTOR SWITCH (4) to the desired mode. The LED above the manual key lights.
2. Press the TEMPERATURE ARROW KEYS (9) to set the stage one cook temperature.
3. Press the TIME ARROW KEYS (6) to set the stage one cook time.
4. Press the STAGE TWO KEY (12).

NOTE: Stage two can be used for either a hold mode or a second cook temperature. Example: Cook meats or poultry at a low temperature for maximum moisture retention, then set the second stage for browning. To use the second stage for holding, you must set an appropriate hold time for the unit to count down from.

NOTE: If stage two is not required enter a cook time of 00:00.

5. Press the TEMPERATURE ARROW KEYS (9) to set the stage two cook temperature.
6. Press the TIME ARROW KEYS (6) to set the stage two cook time.
7. Press the START KEY (15) to begin the cook cycle. The STAGE ONE LED (10) lights. The TIME DISPLAY (5) counts down the stage one cook time.

If stage two is selected an alarm sounds at the end of stage one. The time display counts down the stage two cook time.

8. When all cook stages are complete the TIME DISPLAY (5) flashes 00:00, the TEMPERATURE DISPLAY (7) flashes 0 and an audible alarm sounds. Press the STOP KEY (16) to silence the alarm. The control maintains the stage one cook temperature.
9. Turn the SELECTOR SWITCH (4) to OFF to shut down the oven/steamer.

NOTE: Time and temperature settings may be changed at any time during manual operation. Press the time arrow keys to change the cook time. Press the temperature arrow keys to change the cook temperature.

PROGRAMMED OPERATION

NOTE: See page 19 for programming instructions.

1. Turn the SELECTOR SWITCH (4) to the desired mode.
2. Press the desired PRODUCT KEY (13). The LED above the selected key lights.
3. Press the START KEY (15) to begin the cook cycle. The STAGE ONE LED (10) lights. The TIME DISPLAY (5) counts down the stage one cook time.

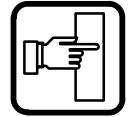
NOTE: Press the STOP KEY (16) once to pause an active stage one cycle. Press the START KEY (15) to resume.

NOTE: Press the STOP KEY (16) twice to cancel an active stage one cycle.

4. An alarm sounds at the end of stage one. The time display counts down the stage two cook time.

NOTE: Press the STOP KEY (16) once to cancel an active stage two cycle. Stage two cycles cannot be paused.

5. When all cook stages are complete, the TIME DISPLAY (5) flashes 00:00, the TEMPERATURE DISPLAY (7) flashes 0 and an audible alarm sounds. Press the STOP KEY (16) to silence the alarm. The control maintains the stage one cook temperature.



PROGRAMMING THE PRODUCT KEYS

NOTE: Each product key can hold two programs: one for steam and one for hot air/combi. Hot air programs can be used in combi.

1. Turn the SELECTOR SWITCH (4) to the desired mode.
2. Press the desired PRODUCT KEY (13).
3. Press and hold the PROGRAM KEY (17) for five seconds. The control beeps. The product key LED and STAGE ONE LED (10) light.
4. Press the TEMPERATURE ARROW KEYS (9) to set the stage one cook temperature.
5. Press the TIME ARROW KEYS (6) to set the stage one cook time.
6. Press the STAGE TWO KEY (12).

NOTE: Stage two can be used for either a hold mode or a second cook temperature. Example: Cook meats or poultry at a low temperature for maximum moisture retention, then set the second stage for browning. To use the second stage for holding, you must set an appropriate hold time for the unit to count down from.

NOTE: If stage two is not required enter a cook time of 00:00.

7. Press the TEMPERATURE ARROW KEYS (9) to set the stage two cook temperature.
8. Press the TIME ARROW KEYS (6) to set the stage two cook time.
9. Press and hold the PROGRAM KEY (17) to save the program settings.

PROGRAMMING THE MANUAL KEY

NOTE: The manual key may be used for manual cooking and programmed for two products, one for steam and one for hot air/combi. Hot air programs can be used in combi.

1. Turn the SELECTOR SWITCH (4) to the desired mode.
2. Press the MANUAL KEY (14). The LED above the manual key lights.
3. Press the TEMPERATURE ARROW KEYS (9) to set the stage one cook temperature.
4. Press the TIME ARROW KEYS (6) to set the stage one cook time.
5. Press the STAGE TWO KEY (12).

NOTE: Stage two can be used for either a hold mode or a second cook temperature. Example: Cook meats or poultry at a low temperature for maximum moisture retention, then set the second stage for browning. To use the second stage for holding, you must set an appropriate hold time for the unit to count down from.

NOTE: If stage two is not required enter a cook time of 00:00.

6. Press the TEMPERATURE ARROW KEYS (9) to set the stage two cook temperature.
7. Press the TIME ARROW KEYS (6) to set the stage two cook time.
8. Press and hold the PROGRAM KEY (17) to save the program settings.

NOTE: Time and temperature settings may be changed at any time during operation of a programmed manual key. Press the time arrow keys to change the cook time. Press the temperature arrow keys to change the cook temperature.



Operation

Optional Meat Probe

CONTROLS IDENTIFICATION

1. MEAT PROBE SWITCH

Controls power to the meat probe.

2. MEAT PROBE CONTROL

Use to set the desired probe temperature. Indicates the actual temperature of the product

3. MEAT PROBE CONNECTOR

Receptacle for the plug in meat probe.

NOTE: For sanitation it is recommended that the meat probe remain plugged into the front panel receptacle at all times.

OPERATION

Measuring the product core temperatures during long roasting periods is very practical. It is especially important for products such as Roast Beef to reach a specific internal temperature.

Place the probe through to the middle of the product's thickest section. Be sure the probe does not touch any bone and the tip is not in a fat pocket. These conditions can cause inaccurate readings.

1. Set the MODE SELECTOR Switch to the desired function.

2. Turn the MEAT PROBE Switch (1) to ON.

3. To set the desired core temperature press the blue SET BUTTON (4) on the MEAT PROBE CONTROL (2).

Use the up arrow key (6) to increase the set-point temperature. Use the down arrow key (5) to decrease the setpoint temperature.

Press the set button again to store the set-point.

4. Set the TIMER to STAY ON. The cooking process runs automatically.

When the selected core temperature is reached, the buzzer will sound and the appliance shuts off automatically.

The temperature and mode can be changed at any time during the process.

5. Shut the appliance off by setting the mode switch to OFF.

NOTE: When setting the internal temperature, be sure to allow for carry-over cooking after the roast is removed from the oven.

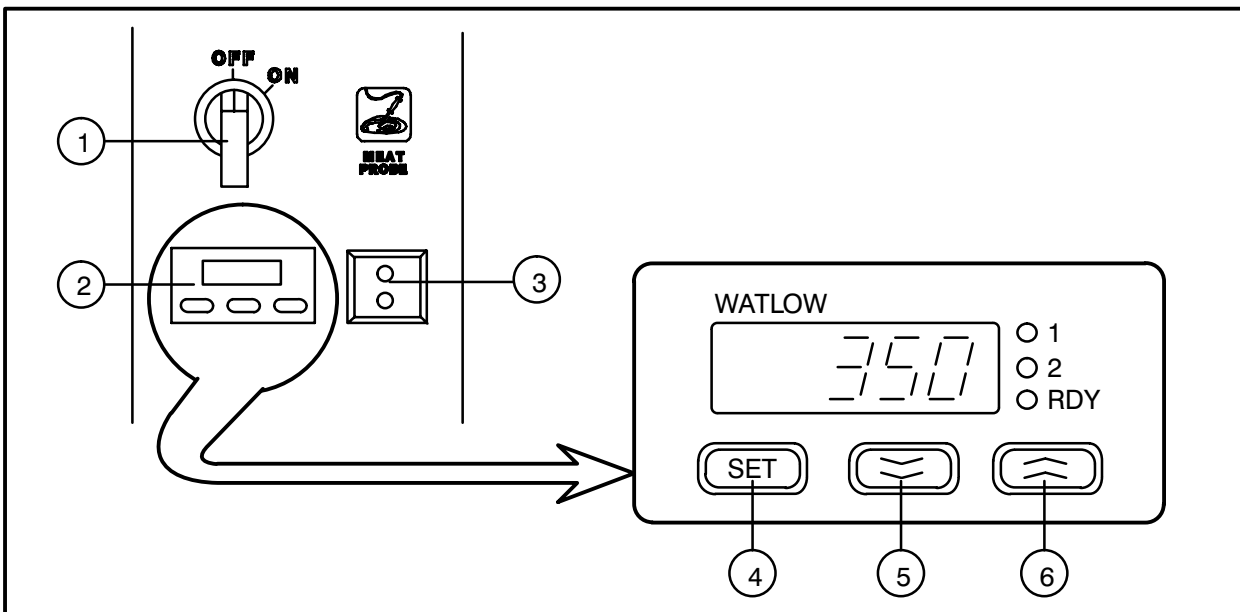


Figure 14

Maintenance



Spray Bottle Operating Procedure

1. Unscrew the sprayer head and fill the container to the MAX mark. Screw the head assembly on firmly to ensure an airtight seal. The liquid must be clean and free from foreign matter. Do not overfill - space must be left for compressing air.
2. To build up pressure, pump approximately 20 full strokes when the container is filled with liquid. The higher the pressure, the finer the spray. If the container is only partially filled, then more pumping is required to compress the additional air space.
3. To spray, depress the trigger with your thumb.
4. After a period of spraying, the pressure will drop. Restore the pressure by operating the air pump.
5. Release pressure after use by inverting the spray head and depressing the trigger or by slowly unscrewing the spray head assembly which will allow air to escape from around the filling aperture.
6. After use, rinse the spray bottle with clean water and check that the hole in the nozzle is perfectly clean and clear. Warm water (not hot) used with a household detergent is a useful cleaning agent for this purpose.

NOTE: Further information can be found in the instruction leaflet supplied with your spray bottle.

Service Parts:

Complete spray bottle	P/N R0006
Spray nozzle repair kit	P/N R6332



WARNING!!

Protective clothing and eye wear should be worn while using cleaning agents.

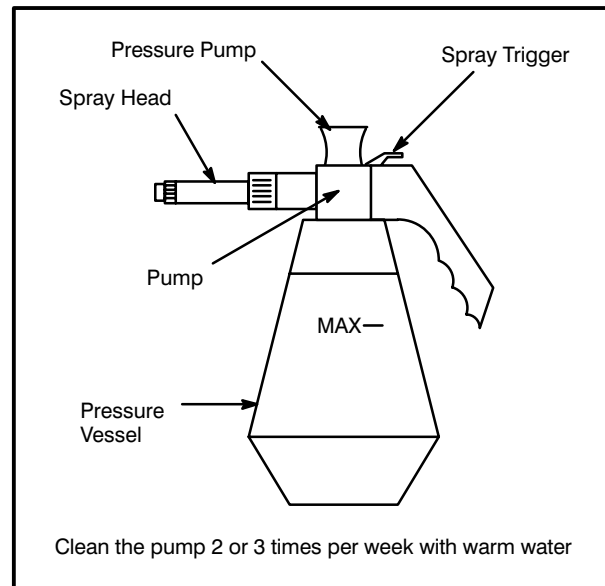


Figure 15



Maintenance

Cleaning and Preventive Maintenance

CLEANING THE INTERIOR

Daily cleaning of the appliance is essential for sanitation and to ensure against operational difficulties. Use an oven cleaning detergent in conjunction with the supplied spray bottle.

On stainless interiors, deposits of baked on splatter, oil, grease or light discoloration may be removed with a good non toxic industrial stainless steel cleaner. Apply cleaners when the unit is cold and always rub with the grain of the metal. The racks, rack supports and the blower wheel may be cleaned either in the unit or removed and soaked in a solution of ammonia and water.

NOTE: DO NOT use corrosive cleaners!

1. Cool the appliance down to 140°F (60°C) or, if the unit has been idle, turn the steam mode on for 3 to 4 minutes in order to warm the interior surfaces.
2. Fill the spray bottle and pump air into the container with the pressure pump.
3. Spray the interior of the unit with a cleaning solution.

NOTE: Never spray water into the unit when the temperature is above 212°F.

NOTE: NEVER SPRAY WATER IN THE UNIT AFTER USING THE HOT AIR OR COMBI MODES.

4. Let the cleaner work for 10 to 20 minutes with the unit off. For difficult cleaning allow to work over night.
5. Set the timer for 15 to 20 minutes. Turn the mode selector switch to Steam. This will soften all burned on residue.
6. Rinse the interior with the hose and spray assembly.
7. Set the mode selector to steam for another five minutes to flush out the interior and remove all detergent residue.

NOTE: The interior cavity should never be scoured or scraped.

CLEANING THE EXTERIOR

Exteriors may be cleaned and kept in good condition with a stainless steel polish.

NOTE: DO NOT spray the outside of the appliance with water.

PREVENTIVE MAINTENANCE

The best preventive maintenance measures are:

- the proper initial installation of the equipment
- delimiting the steam generator (if applicable)
- a program for routine cleaning.

These units requires no lubrication. Contact the factory, a factory representative or a local Blodgett Combi service company to perform maintenance and repairs should they be required.



WARNING!!

Disconnect the appliance from the power supply before servicing or cleaning.



Decalcification

1. Turn the Mode Selection Switch (1) to the STEAM mode. Wait until steam is produced. This will ensure that the water in the steam generator is hot.
2. Turn the Mode Selection Switch (1) to the COOL DOWN mode and leave the door open. Let the oven compartment cool to 150°F (66°C). This ensures that the Drain/Flush switch will function in STEP 8.
3. Turn the Mode Selection Switch (1) to OFF.
4. In a suitable size container, mix together the deliming solution and hot tap water. Refer to the following chart for the proper mixture:

Model	Deliming Solution	Hot Tap Water
COS-6	12 oz.	3 quarts
COS-101	18 oz.	1-1/4 gallons
COS-101S	18 oz.	1-1/4 gallons

NOTE: These volumes are approximate. You may need more or less hot water depending on your site.

5. Remove the Deliming Port Cap from the Deliming Inlet (5). Attach the supplied Funnel and Hose Assembly (3) to the deliming inlet.
6. Open the Deliming Port Valve (2) and pour in the deliming mixture. Stop pouring when the funnel stops draining. This is the correct amount for your site.

7. Shut the Deliming Port Valve (2). Screw on the Deliming Port Cap. Let the mixture stand for 20 minutes. In areas of the country with hard water, allow the mixture to stand for 1 hour.
8. Depress and hold the Drain/Flush Switch (4) in the FLUSH position for 90 seconds. This completes the deliming procedure.

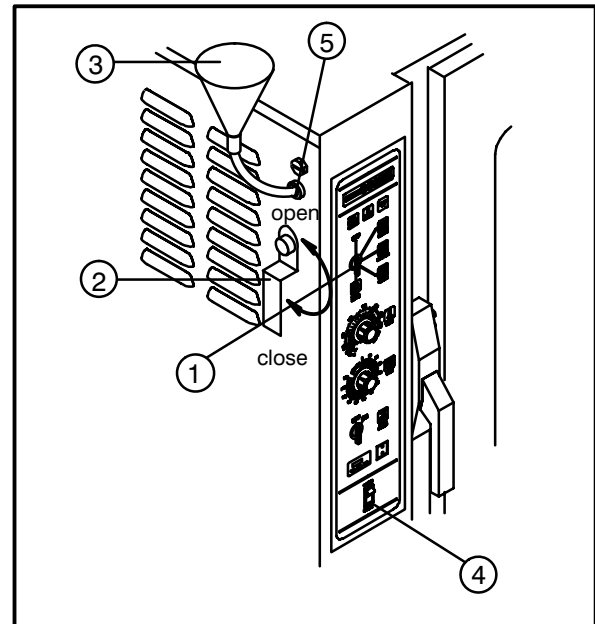


Figure 16



Introduction

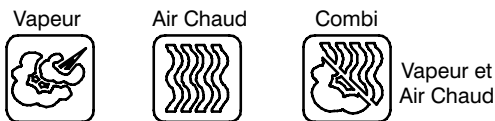
Le Combi-four/étuve à vapeur Blodgett

Depuis un certain temps le matériel de cuisson commerciale est resté plus ou moins inchangé. Il y a des bouilloires, des fours ouverts, des bonnes vieilles cuisinières avec leurs régiments de casseroles et de nombreux autres appareils. Le résultat: gaspillage de temps, excès de travail manuel, et des processus de nettoyage interminables. Ces quelques dernières années ont préparées la voie pour une révolution dans l'équipement des cuisines de restaurants et de collectivités.

Le Combi-four/étuve à vapeur de Blodgett offre une entièrement nouvelle méthode pour cuisiner. Avec le Four-étuve à Vapeur vous avez le choix entre **deux procédés de cuisson: À la vapeur et à l'air chaud**, soit...

- **Séparément**
- **En combinaison, ou**
- **En séquence**

Et pour faciliter le fonctionnement vous pouvez choisir entre trois modes:



En mode Vapeur vous pouvez:

- cuire à la vapeur
- blanchir
- pocher
- décongeler
- thermaliser

En mode Air chaud vous pouvez:

- rotir
- cuire au four
- braiser

En mode Combinaison vapeur et air chaud vous pouvez:

- décongeler
- rotir
- thermaliser
- réchauffer
- cuire au four
- sous vide*
- apprêter*
- cuisson et pause*

* avec commandes numériques en option

Non seulement cela, mais en plus vous pouvez utiliser deux ou trois fonctions en séquence au cours d'un processus de cuisson. Nous appelons cela:

- Combi-vapeur
- Combi-rôtir
- Combi-au four

La combinaison de l'air chaud et de la vapeur circulants dans l'espace réduit du Combi-four/étuve à vapeur de haute performance apporte des améliorations dans les zones d'influence suivantes:

- productivité augmentée dans la cuisine
- réduction des dépenses de remplacement de multiples appareils
- une plus grande gamme de choix pour les menus
- un processus de nettoyage simplifié

Le processus de travail est simplifié puisque les aliments sont préparés sur ou dans des pots et des plats pour table chaude. La nourriture peut être cuite, rangée et transportée dans les mêmes ustensiles. Des petites quantités d'aliments peuvent être traitées efficacement ; plats préparés et aliments pratiques peuvent être réchauffés en quelques minutes. La plupart des aliments congelés peuvent être traités sans avoir été décongelés. Cette flexibilité de préparation diminue le besoin de bainsmarie et de tables chaudes pour garder la nourriture à la bonne température pendant de longues périodes de temps.

Aujourd'hui l'amélioration de la qualité de la nourriture est plus importante que jamais. Les légumes cuits sans eau dans le Combi-four/étuve à vapeur de Blodgett à la température optimale de juste au-dessous de 100° C (212° F) qui conserve les vitamines et les minéraux importants, les substances nutritives et autres éléments. La cuisson de la viande dans le Combi donne un produit plus ferme, plus juteux et moins réduit. Le Combi-four/étuve à vapeur de Blodgett est de plus en plus utilisé pour la cuisson au four. Les modes Vapeur et Air chaud en font un four à usage général.



Description du Combi-four/étuve à vapeur

AU SUJET DU FOUR/ÉTUVE À VAPEUR

Les Combi-four/étuve à vapeur sont des produits de qualité, fabriqués avec des aciers inoxydables de haut grade par une main d'oeuvre de première classe.

Le générateur de vapeur fraîche à haute performance, avec son système de commande, permet de profiter de tous les avantages d'une étuve à vapeur de haute qualité par le simple mouvement d'un interrupteur. Une vapeur fraîche entre dans le four sans pression et circule à haute vitesse. Ce procédé permet une cuisson rapide et douce qui assure des nourritures de haute qualité tout en offrant des méthodes pratiques de travail. Le générateur de vapeur est complètement automatique et il est protégé contre le fonctionnement à sec.

Un système éliminateur breveté garde l'air du four propre. Les exhalaisons qui s'échappent pendant que les aliments rôtissent ou grillent sont aspirées hors de l'appareil, éliminées et sorties par l'intermédiaire du tube de condensation. Le système d'évacuation est efficace dans tous les modes de cuisson et a pour résultat une meilleure qualité des aliments sans **transfert de goût**. Le ventilateur qui est protégé contre tout contact accidentel avec les doigts est actionné par un moteur puissant et silencieux. Le tube de condensation retire les excès de vapeur de l'appareil. Condensation et eau perdue qui sont le résultat de la cuisson étuvée et du nettoyage s'écoulent continuellement.

L'usage d'une isolation de haute qualité empêche une radiation thermique excessive et économise l'énergie.

Le Four/étuve à Vapeur a des pieds réglables, en option, qui s'adaptent facilement sur les surfaces légèrement inégales et, également en option, des bâtis d'assise au sol qui sont conçus pour être utilisés avec tous les modèles de table.

FONCTIONNEMENT FOUR/ÉTUVE À VAPEUR

La porte du four pratique avec fenêtre a un large rayon d'ouverture et une poignée qui fonctionne facilement même avec des mains mouillées ou grasses.

La facilité de fonctionnement est garantie par le simple arrangement des commandes. Les symboles graphiques facilitent l'usage du four, même par des employés de cuisine sans expérience. Les modes vapeur, air chaud et combi peuvent être choisis à partir d'un seul commutateur. Une quatrième fonction sur le commutateur de sélection de mode, le mode de refroidissement, permet à l'intérieur du four de se refroidir rapidement que la porte soit ouverte ou fermée.

Le nettoyage est minimal. L'intérieur est vaporisé avec une solution de nettoyage auto-active qui interagit avec la vapeur pour enlever facilement les croûtes et les taches. Le four est conçu pour un entretien facile et il est soudé étanche ce qui permet de rincer l'intérieur du four avec un jet d'eau après le processus de nettoyage à la vapeur.



Introduction

Caractéristiques du four

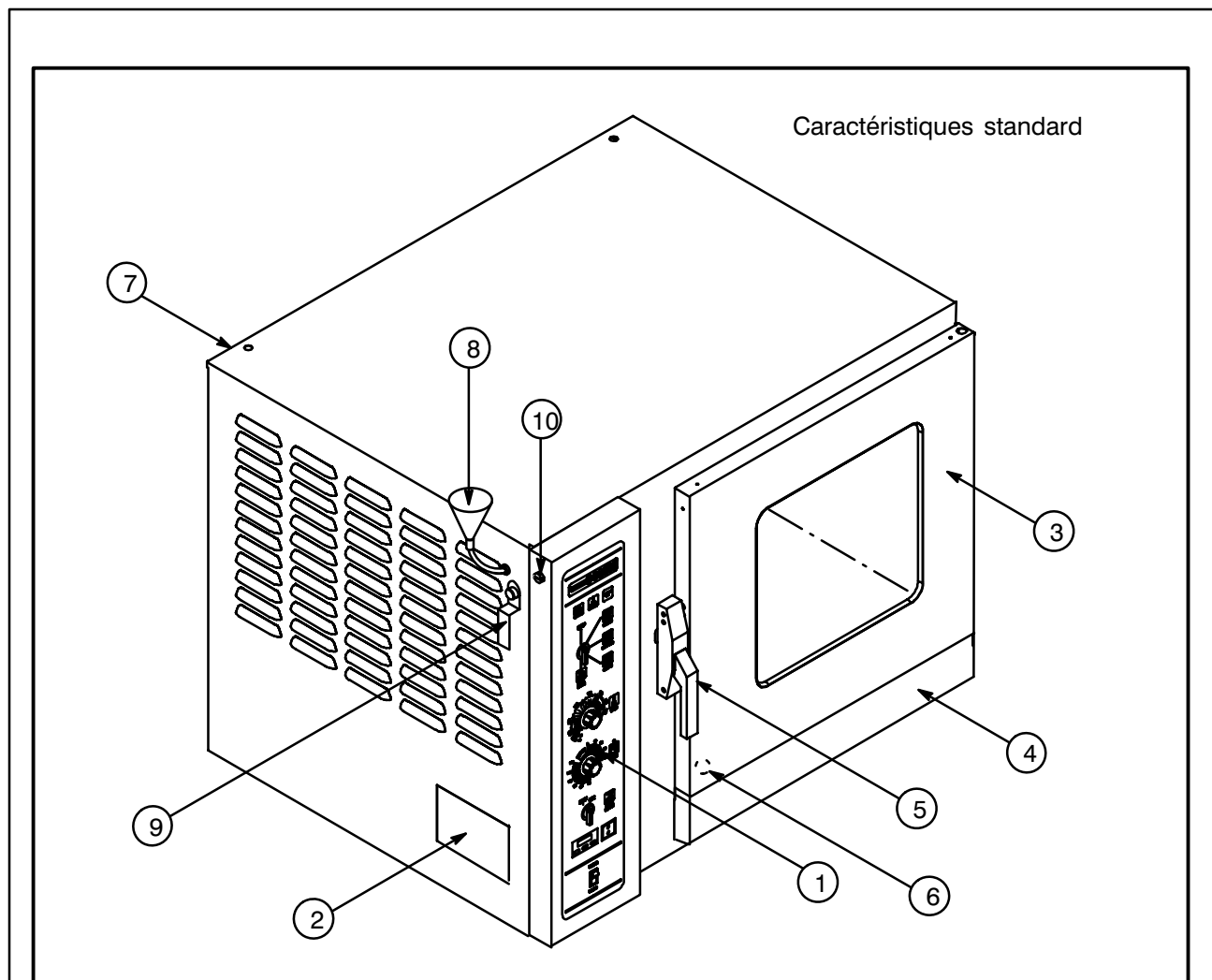


Figure 1

- 1 Panneau de commande
- 2 Fusibles, Connexion électrique
- 3 Porte du four
- 4 Collecteur d'égouttement (amovible pour nettoyage)
- 5 Poignée de la porte

- 6 Interrupteur du contact de la porte
- 7 Ventilation (pas montré)
- 8 Entrée de détartrage et assemblage entonnoir
- 9 Levier de la soupape de détartrage
- 10 Les bouchons amovibles permettent d'accéder aux vis qui maintiennent le bac de récupération.



Responsabilités du propriétaire

1. Les fours sont sortis de leurs caisses d'emballage, empilés (le cas échéant) et mis en place.

REMARQUE: Consultez les informations fournies dans les sections Fixation des pieds et Superposition.

2. Le propriétaire/utilisateur doit remplir les conditions de plomberie et d'électricité suivantes.

REMARQUE: Consultez les informations fournies dans la section Branchements utilitaires.



AVERTISSEMENT!!

Une mauvaise installation, un mauvais réglage, l'apport de modifications inadéquates ou un mauvais entretien de cet appareil peuvent entraîner l'endommagement du matériel ainsi que des blessures graves, voire mortelles. Lisez soigneusement les instructions d'installation, d'utilisation et d'entretien avant d'installer ou de procéder à l'entretien de ces appareils.

PLOMBERIE										
Eau										
Pression de l'eau (min/max)					40 PSI min / 50 PSI max					
Provision pour eau froide					Raccord de tuyau de 3/4 po, 3/8 po de diamètre intérieur (d.i) min					
Réglage du régulateur de pression					35 psi statique					
Conditions requises minimum					Total des solides en suspension (TDS) – doit être moins que 100 parties par million Dureté totale de l'eau – 80-120 parties par million Chlorides – doit être moins que 30 parties par million Le pH de l'eau – 7.0-8.0					
Drainage					Drain mis à l'air libre					
Raccordement du drain					2 po en cuivre					
Température moyenne de l'eau drainée					A peu près 50°C (122°F)					
CARACTÉRISTIQUES ÉLECTRIQUES										
		COS-6			COS-101			COS-101S		
Électrique		9.4 kw			18.5 kw			18.5 kw		
		A/ligne (max.)			A/ligne (max.)			A/ligne (max.)		
		VAC	3φ	1φ	VAC	3φ	1φ	VAC	3φ	1φ
		208	26	46	208	52	89	208	52	89
		240	23	40	240	45	77	240	45	77
					480	22	N/A	480	22	N/A
Moteur de Ventilateur		.33 HP / .4 kW			.5 HP / .5 kW			.5 HP / .5 kW		



Installation

Placement

Un emplacement correct et soigneusement prévu pour l'appareil aura pour résultat, à long terme, une utilisation pratique et un rendement satisfaisant.

Les espaces de dégagement ci-dessous doivent être prévus entre le four et les munis d'assemblages et toute construction combustible ou non.

- Côté droit du four – 2.54 cm (1 po)
- Côté gauche du four – 10 cm (4 po)
- Arrière du four – 15 cm (6 po)

REMARQUE: Pour les modèles munis d'assemblages de tuyaux à l'arrière de l'appareil, le tuyau doit se trouver à 6 po (15 cm) du mur.

Les espaces de dégagement ci-dessous doivent être possible pour permettre l'entretien.

- Côté du four – 30 cm (12po)
- Arrière du four – 30 cm (12po)

Placer le four dans une zone sans courants d'air et accessible pour permettre son fonctionnement et son entretien.

Garder la zone du l'appareil libre et dégagée de toutes matières combustibles, telles que papiers, cartons, liquides inflammables et solvants.

NE PLACEZ PAS l'appareil sur un socle courbé, et ne le fixez pas au mur. Dans ces deux cas, les moteurs à soufflerie ne pourraient pas être convenablement ventilés. Une petite dénivellation peut se corriger avec les pieds réglables.

Les grilles d'aération situées du côté gauche le l'appareil doivent être protégées de la chaleur, de la vapeur et des sources d'eau. Consultez le fabricant pour obtenir un bouclier thermique, en option, si la chaleur ou la vapeur ambiante affecte le côté gauche de l'appareil.

Sur tous les modèles : le déclenchement du dispositif de surcharge thermique des moteurs à soufflerie indique que la température ambiante à l'arrière du four est trop élevée. Cette température doit être corrigée afin d'empêcher que le four ne soit irrémédiablement endommagé. Tous les paliers de moteur sont lubrifiés en permanence à l'usine; ils ne nécessitent aucune lubrification supplémentaire pendant la durée de vie opérationnelle des moteurs.



LES CONSEILS D'INSTALLATION ET D'ENTRETIEN CONTENUS DANS CE MANUEL NE S'ADRESSENT QU'À UN PERSONNEL QUALIFIÉ. UN PERSONNEL NON QUALIFIÉ PEUT SE BLESSE ET/OU ABÎMER LE FOUR LORS DE SON INSTALLATION ET/OU SON ENTRETIEN.

Un personnel d'installation qualifié est représenté soit par des personnes physiques, soit par un société, une usine, une corporation qui en personne ou par l'intermédiaire d'un représentant s'engage à et est responsable de:

- l'installation du câblage électrique reliant le compteur d'électricité, l'armoire électrique ou la prise de courant à l'appareil électrique.

Le personnel d'installation qualifié doit être expérimenté dans ce type de travail, s'être familiarisé avec toutes les précautions requises et respecter tous les règlements promulgués par les autorités provinciales ou locales compétentes.

Installations aux États-Unis et au Canada

L'installation doivent être en accord avec les codes locaux, ou en l'absence de codes locaux, avec le *Code Électrique National (National Electrical Code)*, *ANSI/NFPA 70—Dernière édition et/or Code Électrique Canadien CSA C22.2* si applicable.

Cet équipement doit être installé en respectant les normes du code de base de la plomberie des professionnels du bâtiment américain et du code international des administrateurs (*Basic Plumbing Code of the Building Officials and Code Administrators International Inc (BOCA)*), ainsi que celles du manuel de l'hygiène de l'industrie de la restauration du secrétariat américain aux produits alimentaires et pharmaceutiques [*Food Service Sanitation Manual of the Food and Drug Administration (FDA)*].

L'appareil doit être installé avec l'empêchement de refoulement selon les codes fédérale, provincial et locaux.

Installations des appareils exportés

L'installation doit suivre les normes locales et nationales. Les codes d'installation et/ou les exigences peuvent varier d'une localité à l'autre. Si vous avez des questions portant sur l'installation et/ou l'utilisation adéquate de votre four Blodgett, veuillez contacter votre distributeur local. Si aucun distributeur local n'est situé dans votre localité, veuillez appeler Blodgett Combi au 0011-802-860-3700.





Installation

Branchement Utilitaires

BRANCHEMENT D'EAU FROIDE

Brancher l'appareil sur une arrivée d'eau froide de qualité à l'aide du tuyau de pression ayant un raccord de 19 mm (3/4 po). Une vanne de fermeture doit être prévue à proximité du four.

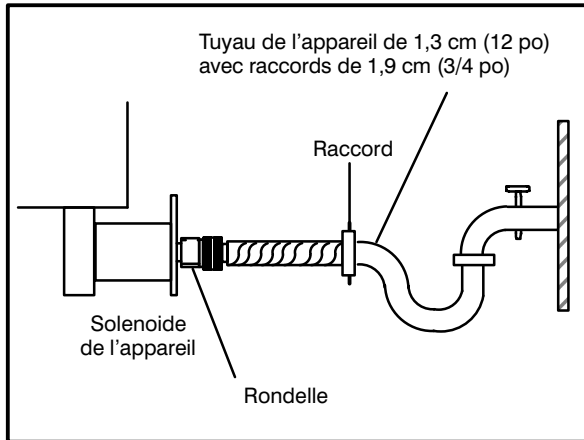


Figure 2



AVERTISSEMENT!!

L'usage d'eau de mauvaise qualité annule la garantie.

Ce produit doit être installé par un assembleur autorisé de plombier ou de gaz une fois installé dans le Commonwealth du Massachusetts.

BRANCHEMENT DU TUBE D'ÉCOULEMENT

Un tuyau de 5cm avec une pente de vidange standard doit aller jusqu'à un puisard ou être connecté sur une colonne descendante équipée d'un évent.

REMARQUE: Les eaux perdues peuvent aussi être dirigées vers un écoulement au sol proche. Si un tuyau flexible est utilisé, s'assurer qu'il n'a pas de longueur pendant où les eaux usées peuvent s'accumuler.



AVERTISSEMENT!!

Négliger d'installer le kit de purge annule la garantie.

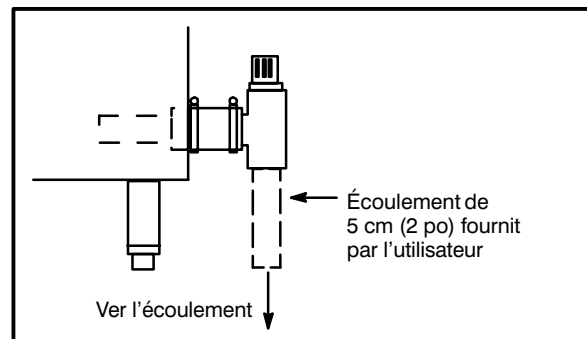


Figure 3

Un conduit de descente de 60 cm (24 po) de longueur doit être branché sur le tuyau d'évacuation. Ceci permet aux vapeurs d'eau qui se dégagent de sortir au-dessus des ouïes qui sont sur le panneau arrière.

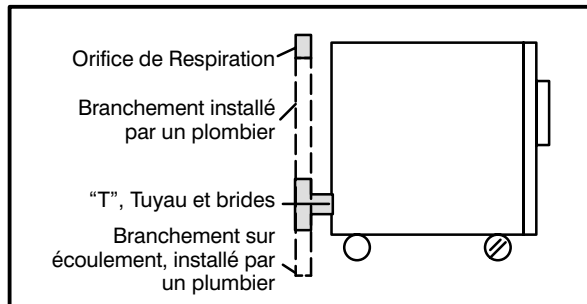


Figure 4



BRANCHEMENTS D'ÉLECTRICITÉ

Avant toutes connexions électriques de ces unités, vérifier que l'alimentation électrique est adéquate pour le voltage, l'ampérage et la phase demandés sur la plaque signalétique du constructeur qui est montée sur l'unité.

Installations aux États-Unis et au Canada

Au moment de l'installation, tous les fours doivent être électriquement mis à la terre en accord avec les codes locaux ou, en l'absence de codes locaux, avec le Code Électrique National (National Electrical Code), ANSI/NFPA 70—Dernière édition et/or Code Électrique Canadien CSA C22.1 si applicable.

Installations des appareils exportés

L'installation doit suivre les normes locales et nationales.

AVERTISSEMENT!!

480V modèles: s'assurer de la rotation des éventailles. Voir le Figure 5. Si les éventailles tournent dans la mauvaise direction, il y aura possibilité d'endommager le four. Si le four n'ai pas brancher proprement, l'annulation de la garantie sera omit.

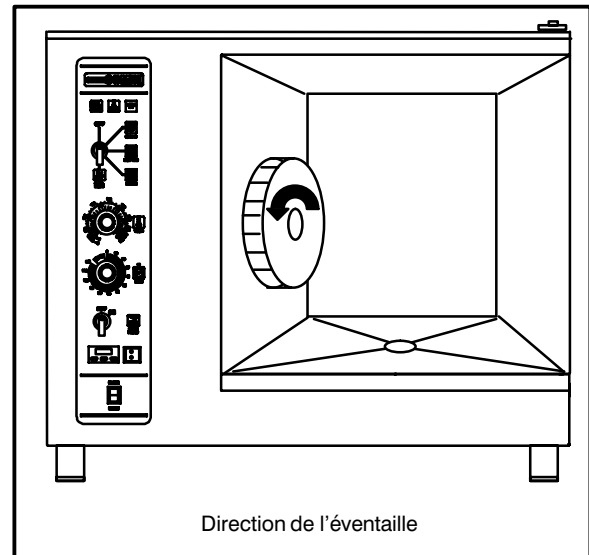


Figure 5

REMARQUE: Débrancher l'appareil de l'alimentation électrique avant le service.

REMARQUE: Tous les règlement de sécurité devraient être vérifiés avant de brancher le courant à l'appareil.

AVERTISSEMENT!!

Une installation défectueuse invalide la garantie.



Installation

Fixation des pieds

VARIATIONS DE PIEDS

Des pieds sont disponibles en des longueurs de 10,1 cm (4 po), 15,2 cm (6 po) ou 63,5 cm (25 po) ou en roulettes de profil bas. Les pieds de 15,2 cm sont utilisés sur le four inférieur d'une double unité superposée. Les pieds de 10,1 cm peuvent être utilisés sur les bâtis (en option) si une hauteur supplémentaire est nécessaire ou lors du montage du four sur un comptoir. Les pieds de 63,5 cm sont utilisés pour un four unique posé au sol.

REMARQUE: Pour des raisons de sécurité, les roulettes ne doivent pas être utilisées avec les pieds de 63,5 cm (25 po).

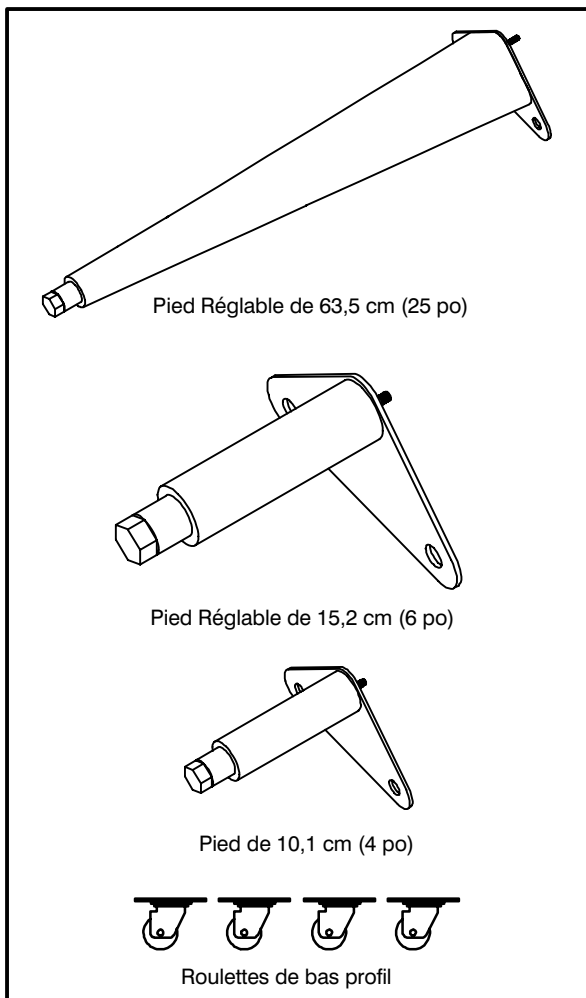


Figure 6

FIXATION DES PIEDS

1. Aligner le goujon fileté de l'un des pieds avant sur le trou de vis situé au coin inférieur de l'unité. Tourner le pied dans le sens des aiguilles d'une montre et serrer jusqu'au tour complet suivant.
2. Aligner les trous de la plaque du pied sur les trous de vis. Assujettir avec les deux boulons de 12,7 mm (1/2 po) fournis.
3. Répéter les étapes ci-dessus avec le deuxième pied avant. **Si des roulettes de bas profil sont utilisées, les installer en utilisant les roulettes à freins. Les roulettes pour l'arrière du four n'ont pas de frein. S'assurer que les freins sont bloqués sur les roulettes avant.**
4. Basculer le four sur les pieds avant qui viennent d'être posés. *Si des roulettes sont utilisées, vérifier que les freins sont bloqués sur les roulettes avant.* Répéter les étapes ci-dessus pour les pieds arrière.
5. Sauf pour les unités avec roulettes, mettre le four à niveau en vissant ou dévissant, suivant besoin, la vis de mise à niveau du pied.

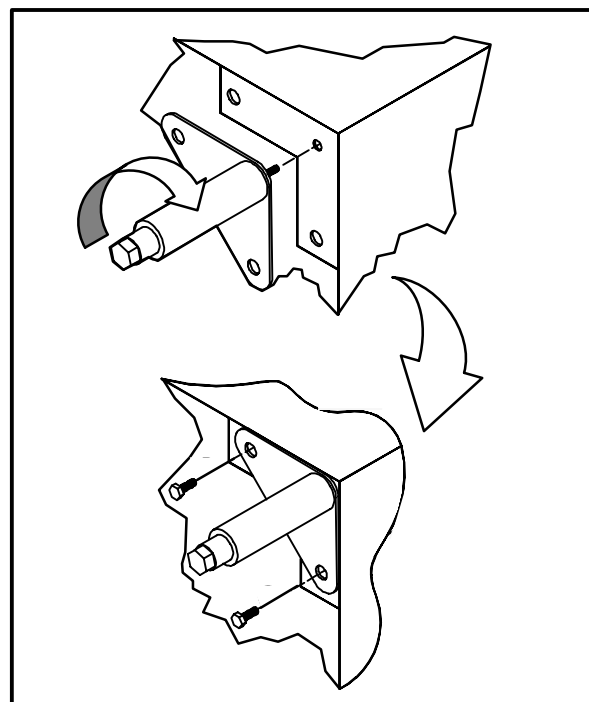


Figure 7



Superposition - Assemblage section double

POUR SUPER-POSER DEUX COS-6'S OU UN COS-6 SUR UN COS-101:

1. Installer les pattes de 15 cm (6 po) comme recommander.
2. Centrer le COS-6 au-dessus de l'unité du bas.
3. Enlever les vis de l'accès arrière des deux unités.
4. Débrancher la connection de l'éventaille, puis déassembler le ventilateur d'ébullition.
REMARQUE: La connection de l'éventaille, peut-être facilement endommager.
5. Aligner les deux trous dans la section du bas avec les deux trous filer de la section du haut.
6. Insérer les vis du bas vers le haut dans chacun des trou, puis serrer promptement.
7. Rassembler le ventilateur d'ébullition et brancher l'éventaille, installer le panneau d'accès arrière sur l'unité du bas.

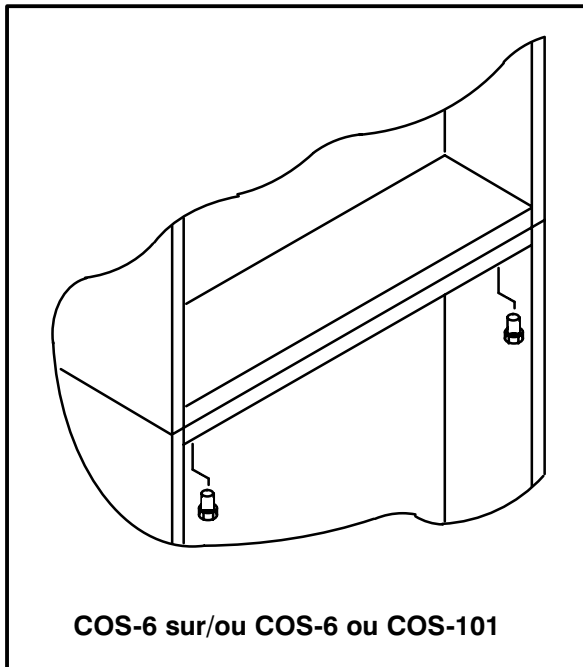


Figure 8

POUR SUPER-POSER UN COS-6 OU UN COS-101S:

1. Installer les pattes de 15 cm (6 po) comme recommander.
2. Placer le COS-6 dessus le COS-101S. Soyez sûr que le devant et le côté gauche du COS-6 soit également aligner avec le devant et le côté gauche du COS-101S.
3. Retirer le panneau d'accès gauche de l'unité du bas.
4. Prendre une des deux vis fournis. Afiler dans le haut du coin derrière du COS-101S's avec le bas du coin gauche du COS-6.
5. Prendre la deuxième vis, afiler dans le bas du chasis du COS-6 dans la noix souder à l'intérieur du COS-101S.

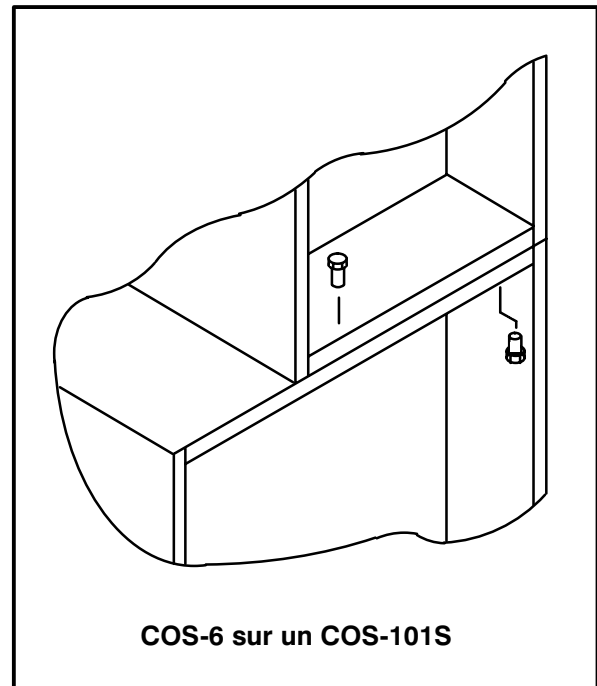


Figure 9



Installation

Vérification finale et derniers réglages

AVANT DE METTRE L'APPAREIL EN MARCHÉ

Avant de mettre l'appareil sous tension pour la première fois, vérifier les conditions suivantes:

- Tous les régléments de sécurité électrique ont été appliqués et toutes les connexions électriques sont correctes.
- L'éventaille devrait tourner dans le sens inverse des aiguilles, vérifier la direction par l'ouverture de la cavité.
- L'eau est branchée, ouverte et tous les raccords sont étanches.
- Le filtre à graisse et son soutien, soit à leur position.
- Les lèchefrites des models COS-6 et COS-101 sont insérer dans la cavité. Grilles stationnaires son fournis avec le model COS-101S.



AVERTISSEMENT!!

Si les éventailles tournent dans la mauvaise direction, le four ne fonctionnera pas propement, et il y aura possibilité d'endommagement.

REMARQUE: La première fois que l'unité est mise sous tension, ou quand l'unité a été à l'ARRÊT pendant 5 heures ou plus, puis rallumée, elle vidange automatiquement le générateur de vapeur pendant une période de 45 secondes. Le générateur de vapeur se

remplit alors au niveau correct. L'unité est alors prête pour fonctionner.

RÉGLAGE DE LA PORTE

Le loquet de la porte peut être réglé dans deux directions, vers l'intérieur ou l'extérieur et vers le haut ou le bas, en suivant le procédé ci-dessous:

1. Régler le loquet vers le haut ou le bas en desserrant les deux vis qui tiennent le loquet sur le devant de l'unité (A).
2. Faire ce réglage de façon à ce que la face avant du loquet soit centrée dans l'ouverture de l'assemblage de la poignée.
3. Resserrer les vis jusqu'à ce qu'il n'y ait plus de mouvement.
4. Régler le loquet vers l'intérieur ou l'extérieur en desserrant la vis qui est sur le dessus du loquet (B).
5. La face de réglage est à échelons et donc le mouvement est limité quand la vis est correctement serrée.
6. Le réglage est correct quand la porte ferme serrée et qu'aucune vapeur ne s'échappe par le joint.

Les charnières peuvent aussi être réglées comme suit:

1. S'assurer que le loquet est correctement ajusté.
2. Régler les charnières pour que l'intérieur de la porte soit parallèle avec le devant de l'unité (C).
3. Le réglage est correct quand aucune vapeur ne s'échappe par le joint.

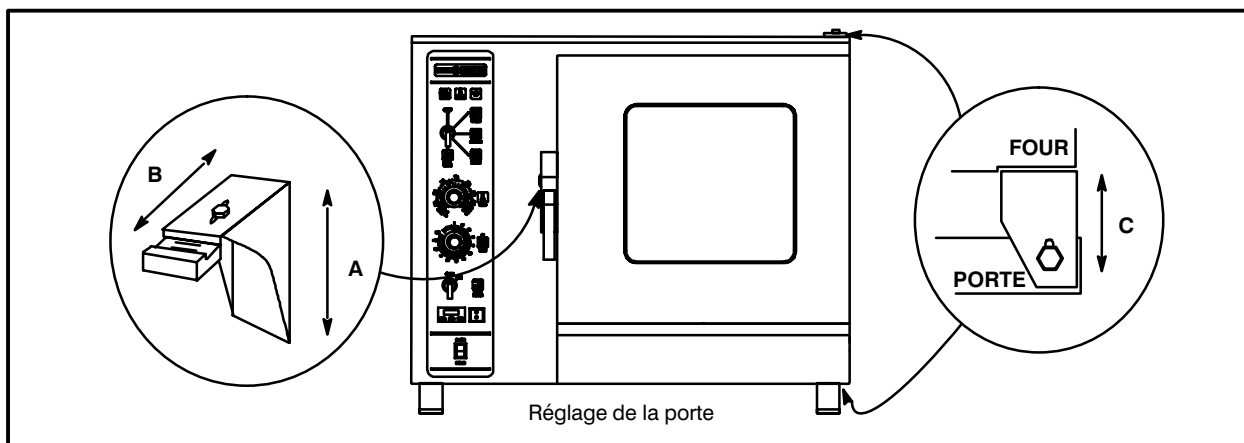


Figure 10



Vérifications Finales

BOÎTIER DES COMMANDES ÉLECTRIQUES

Le voltage utilisé pour le voltage/phase de l'appareil correspond à l'appareil qui a été spécifié.

- Enlevez le panneau latéral
- Réglez les dispositifs de protection du moteur (F2) sur MARCHE (ON)
- Réglez les dispositifs de protection du moteur sur maximum
- Réglez à nouveau les thermostats sur la limite maximum (F3 et F6)
- Vérifiez les fusibles
- Remontez le panneau latéral

VÉRIFICATION FINALE DE LA PLOMBERIE

- La pression d'eau entrante doit se situer entre 40 PSI (minimum) – 50 PSI (maximum)
- Le système de purge atmosphérique est en place
- Les électrovannes d'eau sont correctement encadrées et ne coulent pas
- Les conduites d'alimentation en eau ne fuient pas
- Le régulateur de pression d'eau est réglé à 35 psi.
- Le tuyau d'arrosage est correctement branché

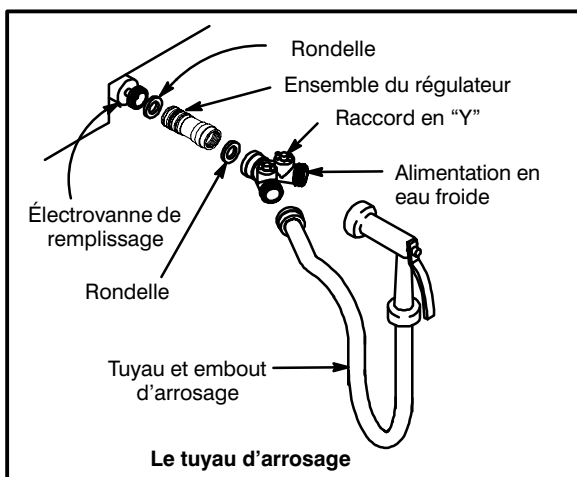


Figure 11

TESTS DE FONCTIONNEMENT DU FOUR

REMARQUE

REMARQUE: Ces vérifications doivent être effectuées par le client ou par le prestataire de services agréés.

Mode refroidissement (le cas échéant)

- Réglez l'interrupteur sur REFROIDISSEMENT (COOL DOWN), et assurez-vous que le moteur fonctionne lorsque la porte est ouverte.

Mode Combi (le cas échéant)

Mettez l'appareil en mode Combi, réglez le thermostat sur 177°C (350°F) et vérifiez que :

- Le générateur de vapeur se vide et se remplit
- Le générateur de vapeur préchauffe à 175°F (79°C), puis passe en mode air chaud
- Lorsque l'air chaud atteint les 177°C (350°F), sa production est remplacée par de la vapeur

Mode vapeur (le cas échéant)

Enlevez le panneau de commandes, réglez l'appareil sur le mode VAPEUR (STEAM) et vérifiez :

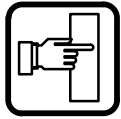
- Chaque position du minuteur
 1. Régler le minuteur à l'arrêt (OFF); l'alarme devrait sonner.
 2. Réglez le minuteur sur une position autre que ON ou STAY ON, il devrait entamer un compte à rebours
 3. Réglez le minuteur sur ON, le four devrait fonctionner de façon continue sans minuteur.

- Le voyant marche s'allume
- L'appareil produit de la vapeur, les fenêtres s'embuent, le dispositif d'étanchéité de la porte ne fuit pas.
- Le système de refroidissement fonctionne

Mode Air chaud (le cas échéant)

Réglez le four sur AIR CHAUD (HOT AIR), réglez le thermostat sur 205°C (400°F) et vérifiez si :

- L'indicateur de chauffage est allumé
- Le four chauffe de façon appropriée
- Le voyant indicateur de chauffage s'éteint lorsque la température a atteint 205°C (400°F) et si le four maintient une température de 205°C (400°F)



Utilisation

Mise en Marche du Four

MODE VAPEUR (si applicable)

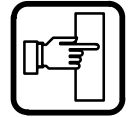
1. Tourner le sélecteur de mode sur la position *STEAM*.
2. Le voyant indicateur marche marche (POWER) s'allume sur le panneau de commande.
3. Le générateur de vapeur se vidange automatiquement pendant 75 secondes si l'unité a été arrêtée pendant 5 heures ou plus.
4. Le générateur de vapeur commence à se remplir. Le voyant indicateur remplissage (FILL) sur le panneau de commande commence à clignoter.
5. Quand le générateur de vapeur est plein jusqu'au bon niveau, la soufflerie de convection se remet en marche et le voyant indicateur marche (POWER) s'allument.
6. Très vite l'intérieur du four se remplit de vapeur qui est contrôlée par un thermostat interne non-accessible.

MODE AIR CHAUD (si applicable)

1. Tourner le sélecteur de mode sur la position *HOT AIR*.
2. Le voyant indicateur marche marche (POWER) s'allume sur le panneau de commande.
3. Régler le thermostat de l'air chaud sur la température désirée.
4. Le voyant du thermostat s'allume indiquant que la température de l'intérieur du four est au-dessous du point de réglage.
5. Quand la température de l'intérieur du four atteint le point réglé désiré, le voyant indicateur de température s'éteint. La soufflerie de convection se ferme.

MODE COMBI (si applicable)

1. Tourner le sélecteur de mode sur la position *COMBI*.
2. Le voyant indicateur marche marche (POWER) s'allume sur le panneau de commande.
3. Régler le thermostat de l'air chaud sur la température désirée.
4. Le générateur de vapeur se vidange automatiquement pendant 75 secondes si l'unité a été arrêtée pendant 5 heures ou plus.
5. Le générateur de vapeur commence à se remplir. Après 2 minutes, le voyant indicateur remplissage (FILL) sur le panneau de commande commence à clignoter. La soufflerie de convection pas ferment et le voyant indicateur marche (POWER) pas s'éteint.
6. Une fois que le générateur de vapeur atteint une température prédéterminée, le voyant du thermostat d'air chaud s'allume, indiquant que la température intérieure du four est au-dessous du point de réglage.
7. Quand la température de l'intérieur du four atteint le point réglé désiré, le voyant indicateur de température s'éteint.
8. Les brûleurs pour vapeur et air chaud passent de l'un à l'autre en fonction des points de réglage du thermostat.



Contrôles Standards

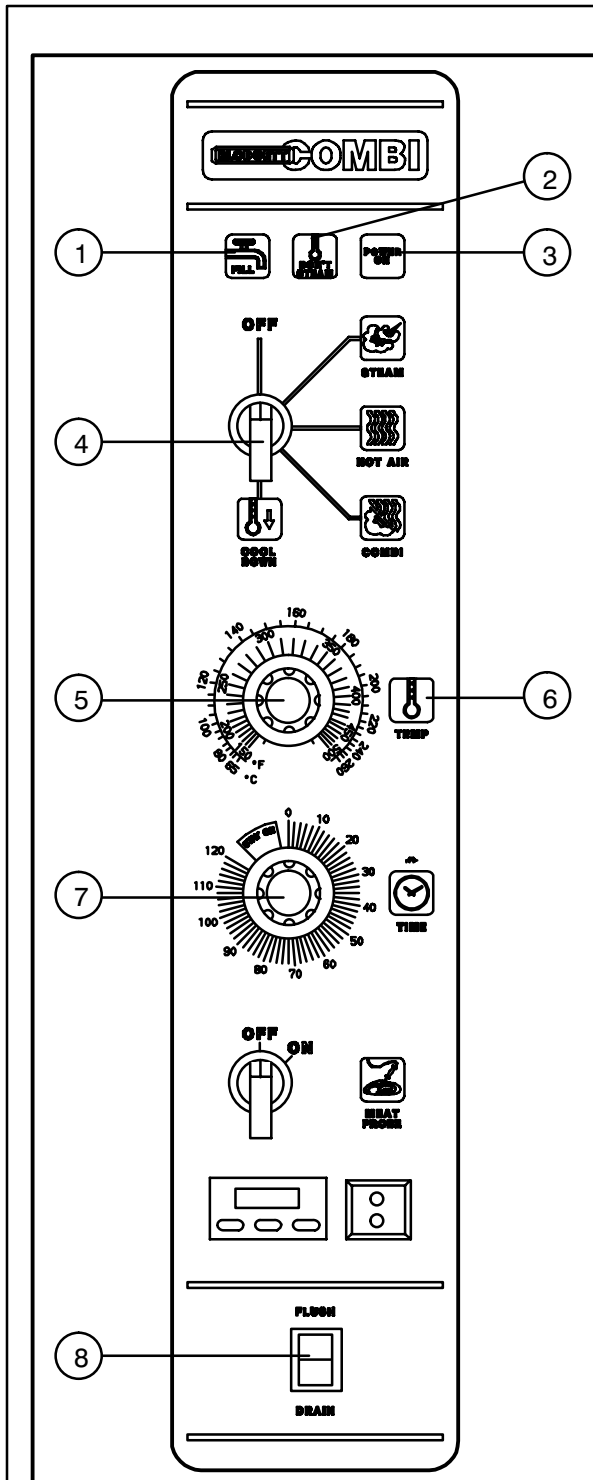
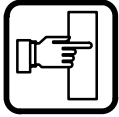


Figure 12

IDENTIFICATION DES CONTRÔLES

1. **VOYANT INDICATEUR DE BAS NIVEAU D'EAU** – Lors du cycle de remplissage, cette lumière reste allumée jusqu'à ce que l'eau dans le générateur de vapeur atteigne la température et le niveau adéquats. La lumière devrait être éteinte lors du cours normal des opérations. Si elle s'allume, vérifiez le niveau d'eau du générateur de vapeur.
2. **VOYANT PAS DE VAPEUR** – Indique que la température de l'appareil est trop élevée pour pouvoir fonctionner en mode vapeur. Sélectionner le mode Refroidissement [Cool down] jusqu'à ce que la température descende au dessous de 110°C. Ce voyant n'empêche pas la production de vapeur.
3. **VOYANT DE MISE SOUS TENSION** – Indique que l'unité est en mode Vapeur [Steam], Air chaud [Hot Air] ou Combi.
4. **INTERRUPTEUR SELECTION DE MODE** – Permet de mettre en marche ou d'arrêter le four, ainsi que de sélectionner les modes Vapeur [Steam], Air chaud [Hot Air], Combi ou Refroidissement [Cool down].
5. **CADRAN DE TEMPÉRATURE** – Sert à régler la température de cuisson désirée.
6. **VOYANT INDICATEUR DE CHAUFFAGE** – S'allume quand le chauffage par Air Chaud est en marche.
7. **CADRAN DE MINUTERIE** – Utilisé pour régler le temps de cuisson désiré.
8. **INTERRUPTEUR PURGER/VIDANGER** – Utilisé lors de la purge/vidange du générateur de vapeur durant la décalcarisation.



Utilisation

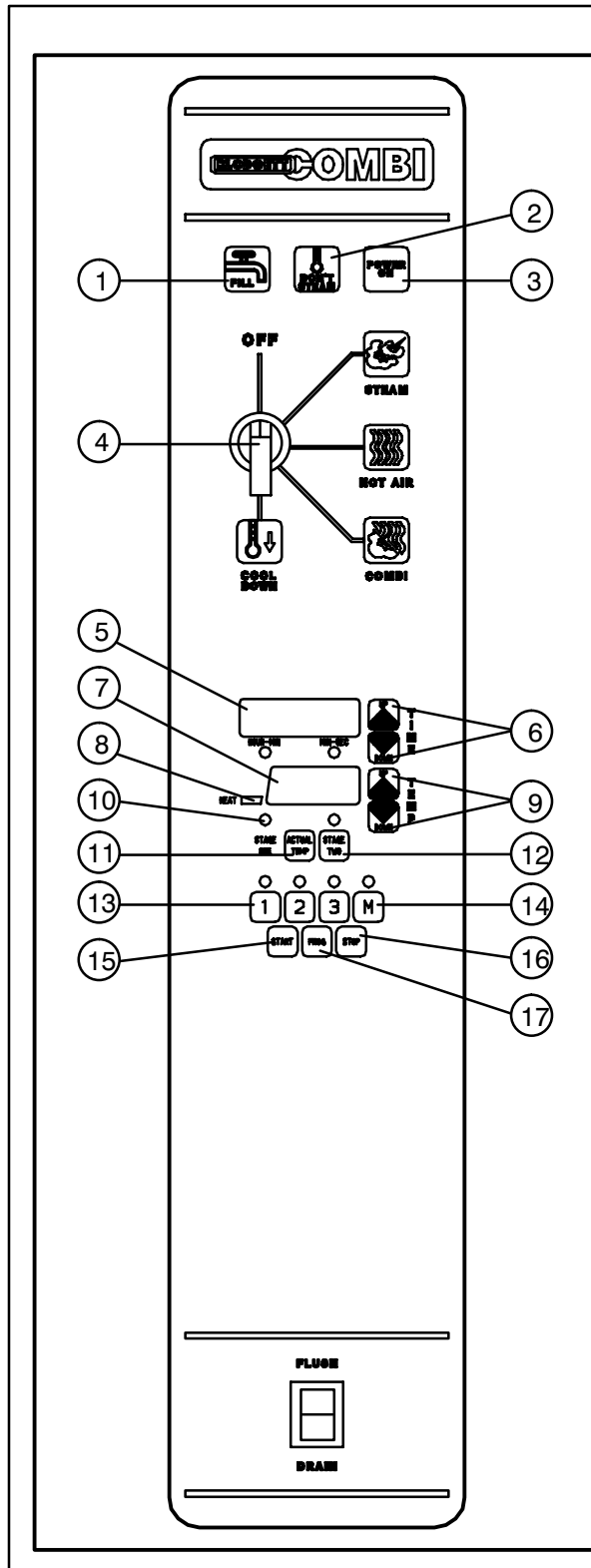
Contrôles Standards

UTILISATION

1. Régler l'INTERRUPTEUR SÉLECTEUR (4) sur la position désirée.
Le voyant MISE SOUS TENSION (3) s'allume.
2. Régler la MINUTERIE (7) sur le temps de cuisson désiré ou sur *MARCHE [STAY ON]*. L'alarme retentit et l'unité s'éteint lorsque le délai s'est écoulé.
3. Pour les modes AIR CHAUD [HOT AIR] et COMBI, régler le bouton TEMPÉRATURE (5) sur la température désirée. Le voyant INDICATEUR DE CHALEUR (6) s'allume et reste allumé jusqu'à ce que l'unité ait atteint la température désirée. Le bouton de réglage de la température ne fonctionne pas durant le laps de temps VAPEUR [STEAM] du mode COMBI.
4. Le mode sélectionné fonctionne automatiquement. La température, la durée et le mode peuvent être modifiés à tout moment durant le processus de cuisson. Ce dernier peut être interrompu en utilisant l'interrupteur Sélecteur de mode ou en ouvrant la porte.
5. Lorsque le laps de temps spécifié s'est écoulé, l'alarme retentit et l'appareil s'éteint automatiquement. Régler la MINUTERIE (7) sur *MARCHE [STAY ON]* afin d'arrêter l'alarme et de remettre l'unité en marche.
6. Pour refroidir la cavité du four, régler l'interrupteur SÉLECTEUR DE MODE (4) sur *REFROIDISSEMENT [COOL DOWN]*. Ni le bouton de réglage de la température, ni la minuterie ne fonctionnent en mode REFROIDISSEMENT [COOL DOWN]. Le ventilateur fonctionne que la porte soit ouverte ou fermée.
7. L'interrupteur Sélecteur de mode est l'interrupteur principal de mise sous/hors tension. Si cet interrupteur est sur OFF l'unité ne fonctionnera pas.



Cuisson et Pause en Option



IDENTIFICATION DES CONTRÔLES

1. **VOYANT INDICATEUR DE BAS NIVEAU D'EAU** – Lors du cycle de remplissage, cette lumière reste allumée jusqu'à ce que l'eau dans le générateur de vapeur atteigne la température et le niveau adéquats. La lumière devrait être éteinte lors du cours normal des opérations. Si elle s'allume, vérifiez le niveau d'eau du générateur de vapeur.
2. **VOYANT PAS DE VAPEUR** – Il s'allume quand la température de l'appareil est trop élevée pour pouvoir fonctionner en mode vapeur.
3. **VOYANT DE MISE SOUS TENSION** – Il s'allume quand l'unité est sous tension.
4. **SÉLECTEUR DE MODE** – Il permet de mettre en marche ou d'arrêter le four, ainsi que de sélectionner les modes Vapeur [Steam], Air chaud [Hot Air], Combi ou Refroidissement [Cool down]. Lorsque le sélecteur est réglé sur le mode Vapeur, Air chaud, Combi ou Refroidissement, le ventilateur se met en route.
5. **CADRAN DE LA MINUTERIE** – Indique le temps de cuisson.
6. **TOUCHE FLÉCHÉES DE LA MINUTERIE** – Appuyer sur ces touches afin d'entrer le temps de cuisson, de 00:00 à 99:59.
7. **CADRAN DE LA TEMPÉRATURE** – Indique la température de cuisson.
8. **VOYANT INDICATEUR DE CHAUFFAGE** – Ce voyant s'allume quand le chauffage par air chaud ou vapeur fonctionne.
9. **TOUCHES FLÉCHÉES DE TEMPÉRATURE** – Appuyer sur ces touches afin d'entrer la température de cuisson de 48° à 100°C pour la cuisson à la vapeur et 60° à 260°C pour la cuisson à Air chaud/Combi.
10. **DIODE PREMIÈRE ÉTAPE** – Cette diode s'allume lors du fonctionnement ou de la programmation de la première étape de cuisson du produit. Les cycles de cuisson ont une ou deux étapes.
11. **TOUCHE DE TEMPÉRATURE VÉRITABLE** – Appuyer sur cette touche pour afficher la température véritable du four /vapeur.
12. **TOUCHE DEUXIÈME ÉTAPE** – Appuyer sur cette touche pour entrer le temps de cuisson et la température de la deuxième étape.



Utilisation

Cuisson et Pause en Option

13. **TOUCHES DE PRODUIT** – Trois touches programmables.
14. **TOUCHE DE PRODUIT CUISSON MANUELLE** – C'est la touche de produit par défaut, utilisée pour une cuisson manuelle et programmée.
15. **TOUCHE DÉMARRAGE** – Appuyer sur cette touche pour démarrer un cycle de cuisson.
16. **TOUCHE ARRÊT** – Appuyer sur cette touche pour stopper les alarmes, arrêter momentanément le four ou annuler les cycles de cuisson.
17. **TOUCHE DE PROGRAMMATION** – Appuyer sur cette touche pour entrer le mode de programmation et pour sauvegarder les paramètres de programmation.
18. **INTERRUPTEUR PURGER/VIDANGER** – Utilisé lors de la purge/vidange du générateur de vapeur durant la décalcarisation.

FONCTIONNEMENT MANUELLE

1. Régler le SÉLECTEUR (4) sur le mode désiré. La DIODE située au-dessus de la touche Cuisson manuelle s'allume.
2. Appuyer sur les TOUCHES FLÉCHÉES DE TEMPÉRATURE (9) afin de régler la température de cuisson de la première étape.
3. Appuyer sur les TOUCHES FLÉCHÉES DE LA MINUTERIE (6) pour régler le temps de cuisson de la première étape.
4. Appuyez sur la TOUCHE DEUXIÈME ÉTAPE (12).

REMARQUE: On peut utiliser l'étape deux (2) soit comme mode d'attente, soit comme deuxième température de cuisson. Par exemple : Cuire la viande ou la volaille à basse température pour une rétention maximale de l'humidité, puis régler sur la seconde étape pour le brunissement. Si vous souhaitez utiliser la seconde étape comme mode d'attente, vous devez régler un temps d'attente approprié à partir duquel l'appareil effectuera le compte à rebours.

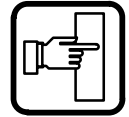
REMARQUE: Si une deuxième étape n'est pas nécessaire, entrez 00:00 pour le temps de cuisson.

5. Appuyer sur les TOUCHES FLÉCHÉES DE TEMPÉRATURE (9) pour régler la température de cuisson de la deuxième étape.
6. Appuyer sur les TOUCHES FLÉCHÉES DE LA MINUTERIE (6) pour régler le temps de cuisson de la deuxième étape.
7. Appuyer sur la TOUCHE DÉMARRAGE (15) pour démarrer le cycle de cuisson. La DIODE PREMIÈRE ÉTAPE (10) s'allume. Le CADRAN DE LA MINUTERIE (5) affiche le compte à rebours du temps de cuisson de la première étape.

Si une deuxième étape a été sélectionnée, une alarme retentit à la fin de la première étape. Le cadran de la minuterie affiche alors le compte à rebours du temps de cuisson de la deuxième étape.

8. Lorsque toutes les étapes de cuisson sont terminées, LE CADRAN DE LA MINUTERIE (5) affiche 00:00 en clignotant, le CADRAN D'AFFICHAGE DE LA TEMPÉRATURE (7) affiche 0 en clignotant et une alarme retentit. Appuyer sur la TOUCHE ARRÊT (16) pour arrêter l'alarme. Le contrôle maintient la température de cuisson de la première étape.
9. Régler le SÉLECTEUR (4) sur OFF pour arrêter le four/vapeur.

REMARQUE: Le temps de cuisson et la température choisis peuvent être modifiés à tout moment durant l'opération manuelle du four. Appuyer sur les touches fléchées de la minuterie pour changer le temps de cuisson. Appuyer sur les touches fléchées de température pour modifier la température de cuisson.



Cuisson et Pause en Option

FONCTIONNEMENT PROGRAMMÉ

REMARQUE: Référez-vous à la page 42 pour les instructions de programmation.

1. Régler le SÉLECTEUR (4) sur le mode désiré.
2. Appuyer sur la TOUCHE DE PRODUIT (13) appropriée. La DIODE située au dessus de la touche sélectionnée s'allume.
3. Appuyez sur la TOUCHE DÉMARRAGE (15) pour démarrer le cycle de cuisson. La DIODE PREMIERE ÉTAPE (10) s'allume. Le CADRAN DE LA MINUTERIE (5) affiche le compte à rebours du temps de cuisson de la première étape.

REMARQUE: Appuyer une fois sur la TOUCHE ARRET (16) pour arrêter momentanément la première étape d'un cycle déjà entamé. Appuyer sur la TOUCHE DÉMARRAGE (15) pour redémarrer le cycle.

REMARQUE: Appuyer deux fois sur la TOUCHE ARRET (16) pour annuler la première étape d'un cycle déjà entamé..

4. Une alarme retentit pour annoncer la fin de la première étape. Le Cadran de la minuterie affiche le compte à rebours du temps de cuisson de la deuxième étape.

REMARQUE: Appuyer une fois sur le TOUCHE ARRET (16) pour annuler la deuxième étape d'un cycle déjà entamé. Si la deuxième étape d'un cycle est déjà entamée, ce dernier ne peut être interrompu momentanément.

5. Lorsque toutes les étapes de la cuisson sont achevées, le CADRAN DE LA MINUTERIE (5) affiche 00:00 en clignotant, le CADRAN DE LA TEMPÉRATURE (7) affiche 0 en clignotant et une alarme retentit. Appuyer sur la TOUCHE ARRET (16) pour arrêter l'alarme. Le contrôle maintient la température de cuisson de la première étape.

PROGRAMMATION DES TOUCHES DE PRODUITS

REMARQUE: Chaque touche de produit peut être programmée pour deux programmes:

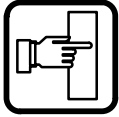
Vapeur et Air chaud/Combi. Les programmes Air chaud peuvent être utilisés en mode Combi.

1. Régler le SÉLECTEUR (4) sur le mode désiré.
2. Appuyer sur la TOUCHE DE PRODUIT (13) appropriée.
3. Appuyer sur la TOUCHE DE PROGRAMMATION (17) et maintenez-la enfoncée pendant cinq secondes. Le contrôle émet un signal sonore. La DIODE de la touche de produit et la DIODE PREMIERE ÉTAPE (10) s'allument.
4. Appuyer sur les TOUCHES FLÉCHÉES DE TEMPÉRATURE (9) pour régler la température de cuisson de la première étape.
5. Appuyer sur les TOUCHES FLÉCHÉES DE LA MINUTERIE (6) pour régler le temps de cuisson de la première étape.
6. Appuyer sur la TOUCHE DEUXIEME ÉTAPE (12).

REMARQUE: On peut utiliser l'étape deux (2) soit comme mode d'attente, soit comme deuxième température de cuisson. Pare exemple : Cuire la viande ou la volaille à basse température pour une rétention maximale de l'humidité, puis régler sur la seconde étape pour le brunissement. Si vous souhaitez utiliser la seconde étape comme mode d'attente, vous devez régler un temps d'attente approprié à partir duquel l'appareil effectuera le compte à rebours.

REMARQUE: Si la deuxième étape de cuisson n'est pas nécessaire, entrez 00:00 pour le temps de cuisson.

7. Appuyer sur les TOUCHES FLÉCHÉES DE TEMPÉRATURE (9) pour régler la température de cuisson de la deuxième étape.
8. Appuyer sur les TOUCHES FLÉCHÉES DE LA MINUTERIE (6) pour régler le temps de cuisson de la deuxième étape.
9. Press and hold the TOUCHE DE PROGRAMMATION (17) et maintenez-la enfoncée pour sauvegarder les paramètres de programmation.



Utilisation

Cuisson et Pause en Option

PROGRAMMATION DE LA TOUCHE CUISSON MANUELLE

REMARQUE: La touche Cuisson manuelle peut être utilisée pour la cuisson en mode manuel et programmée pour deux produits, Vapeur et Air chaud/Combi. Les programmes Air chaud peuvent être utilisés en mode Combi.

1. Régler le SÉLECTEUR (4) sur le mode désiré.
2. Appuyer sur la TOUCHE CUISSON MANUELLE (14). La DIODE située au dessus de la touche Cuisson manuelle s'allume.
3. Appuyer sur les TOUCHES FLÉCHÉES DE TEMPÉRATURE (9) pour régler la température de cuisson de la première étape.
4. Appuyer sur les TOUCHES FLÉCHÉES DE LA MINUTERIE (6) pour régler le temps de cuisson de la première étape.
5. Appuyer sur la TOUCHE DEUXIEME ÉTAPE (12).

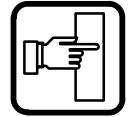
REMARQUE: On peut utiliser l'étape deux (2) soit comme mode d'attente, soit comme deuxième température de cuisson. Pare exemple : Cuire la viande ou la volaille à basse température pour une rétention maximale de l'humidité, puis régler sur la seconde étape pour le brunissement. Si vous souhaitez

utiliser la seconde étape comme mode d'attente, vous devez régler un temps d'attente approprié à partir duquel l'appareil effectuera le compte à rebours.

REMARQUE: Si la deuxième étape de cuisson n'est pas nécessaire, entrez 00:00 pour le temps de cuisson.

6. Appuyer sur les TOUCHES FLÉCHÉES DE TEMPÉRATURE (9) pour régler la température de cuisson de la deuxième étape.
7. Appuyer sur les TOUCHES FLÉCHÉES DE LA MINUTERIE (6) pour régler le temps de cuisson de la deuxième étape.
8. Appuyer sur la TOUCHE DE PROGRAMMATION (17) et maintenez-la enfoncée pour sauvegarder les paramètres de programmation.

REMARQUE: Le temps de cuisson et la température choisis peuvent être modifiés à tout moment durant l'opération manuelle du four. Appuyer sur les touches fléchées de la minuterie pour changer le temps de cuisson. Appuyer sur les touches fléchées de température pour modifier la température de cuisson.



Sonde à Viande en Option

IDENTIFICATION DES CONTRÔLES

1. INTERRUPTEUR DE LA SONDE À VIANDE

Contrôle la marche ou l'arrêt de la sonde à viande.

2. CONTRÔLE DE LA SONDE À VIANDE

Sert à régler la température désirée de la sonde. Indique la température réelle du produit.

3. CONNECTEUR DE LA SONDE À VIANDE

Pris pour le branchement de la sonde à viande.

REMARQUE: Pour des raisons d'hygiène il est recommandé que la sonde à viande reste toujours branchée sur la prise du panneau avant.

UTILISATION

Pouvoir mesurer la température au coeur du produit pendant les longues périodes de cuisson est très pratique. Il est particulièrement important pour des aliments tels que le Roast Beef d'atteindre une température interne spécifique.

Planter la sonde dans le milieu de la partie la plus épaisse du produit. S'assurer que la sonde ne touche pas d'os et que sa pointe n'est pas plantée dans une poche de gras. Ces conditions pouvant causer des lectures non précises.

1. Régler le COMMUTATEUR SÉLECTEUR sur la fonction désirée.
2. Tourner l'INTERRUPTEUR DE LA SONDE À VIANDE (1) sur *MARCHE*.
3. Pour régler la température à coeur désirée, appuyer se le BOUTON DE RÉGLAGE (4) bleu sur le CONTRÔLE DE LA SONDE À VIANDE (2).

Utiliser la touche avec la flèche montante (6) pour augmenter le point de réglage de la température. Utiliser la touche avec la flèche descendante (5) pour diminuer le point de réglage de la température.

Appuyer à nouveau sur bouton de réglage pour entrer le point de réglage en mémoire.

4. Régler la MINUTERIE sur *RESTE EN MARCHE*. Le processus de cuisson marche automatiquement.

Quand la température à coeur choisie est atteinte, un ronfleur se fait entendre et l'appareil s'arrête automatiquement.

La température et le mode peuvent être changés à tout moment en cours de cuisson.

5. Arrêter l'appareil en mettant tous les interrupteurs sur *ARRÊT*.

REMARQUE: Lors du réglage de la température interne, être sûr de prévoir la continuation de cuisson après que le rôti est sortit du four.

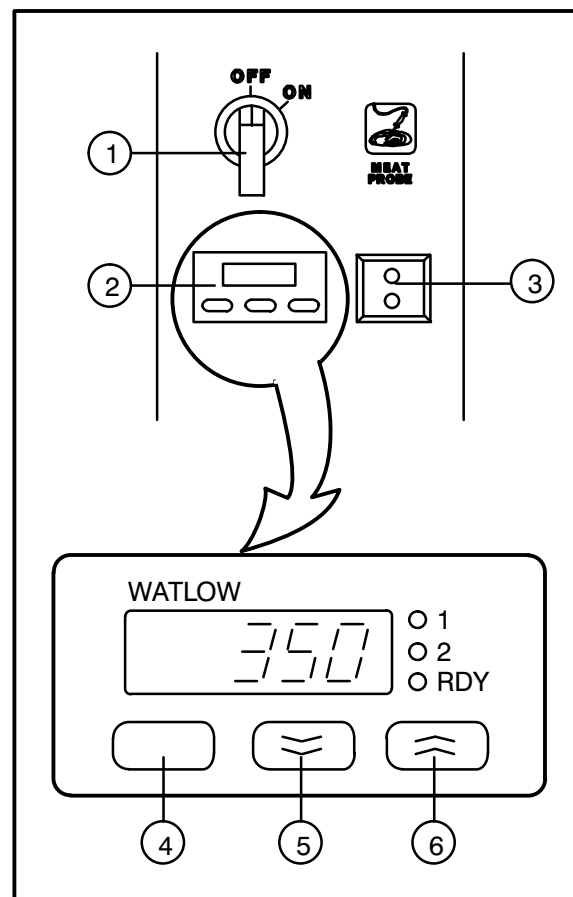


Figure 13



Entretien

Procédé de fonctionnement de la bouteille vaporisatrice

1. Dévisser la tête du vaporisateur et remplir la bouteille jusqu'à la marque MAX. Revisser fermement la tête en place pour assurer une jointure étanche. Le liquide doit être clair et propre de tous corps étrangers. Ne pas sur-emplir - il faut laisser un espace pour compresser l'air.
2. Pour établir la pression, quand le conteneur est plein de liquide, pomper environ une vingtaine de fois. Plus la pression est élevée plus la pulvérisation est fine. Si la bouteille est seulement partiellement remplie, il suffit de pomper plus longtemps pour compresser l'épaisseur d'air supplémentaire.
3. Pour vaporiser, appuyer sur la détente avec le pouce.
4. Après une période de vaporisation, la pression descend. Remonter la pression en actionnant la pompe à air.
5. Après usage, relâcher la pression en inversant la tête du vaporisateur et en appuyant sur la détente, ou en dévissant la tête lentement pour laisser l'air s'échapper par l'ouverture de remplissage.
6. Après usage, rincer la bouteille avec de l'eau claire et vérifier que l'orifice de la buse est parfaitement propre et sans obstruction. De l'eau tiède (pas chaude) avec un détergent ménager est un agent pratique pour ce nettoyage.

REMARQUE: Des informations supplémentaires se trouvent sur le feuillet d'instructions qui est fourni avec la bouteille vaporisatrice.

Pièces de rechange :

Vaporisateur complet	réf. R0006
Kit de réparation de la tête vaporisatrice	réf. R6332



AVERTISSEMENT!!

Des vêtements et des lunettes de sécurité doivent être portés pendant l'usage de produits de nettoyage.

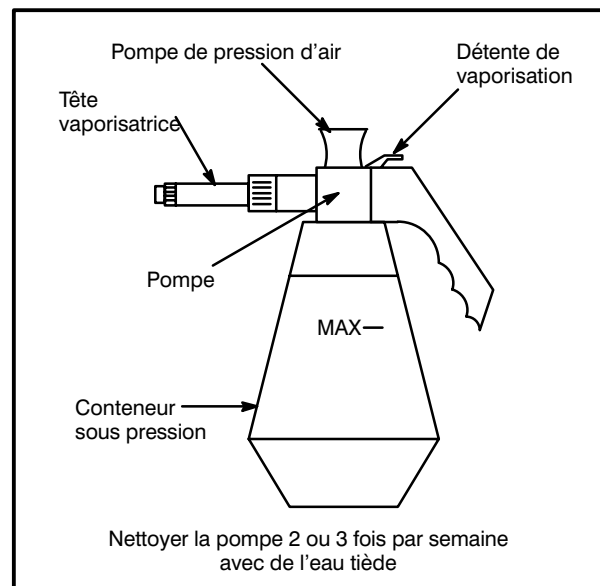


Figure 14



Entretien Préventif et Nettoyage

NETTOYAGE DE L'INTÉRIEUR

Un nettoyage quotidien de l'appareil est essentiel pour des raisons d'hygiène et pour éviter des difficultés de fonctionnement. Utiliser un détergent pour nettoyage de four en conjonction avec la bouteille vaporisatrice fournie.

Sur les intérieurs en acier inoxydable, les résidus recuits d'éclaboussures, d'huile, de graisse ou les décolorations légères peuvent être retirés avec un non-toxique nettoyeur industriel d'acier inoxydable. Appliquer les produits de nettoyage quand le four est froid et toujours frotter dans le sens du grain du métal. Les grilles, leurs supports et la roue de soufflerie peuvent être nettoyés dans le four ou en les sortant du four et en les faisant tremper dans une solution d'ammoniaque et d'eau.

REMARQUE: NE PAS utiliser de produits corrosifs.

1. Laissez refroidir l'appareil jusqu'à une température de 60°C (140°F) ou, si l'appareil n'a pas été utilisé, activez le mode vapeur jusqu'à ce que de la buée recouvre la fenêtre.
2. Remplir la bouteille vaporisatrice et pomper l'air dans le conteneur à l'aide de la pompe de pression.
3. Vaporiser l'intérieur du four avec la solution de nettoyage.

REMARQUE: Ne jamais vaporiser d'eau dans l'unité quand sa température est au-dessus de 100°C.

REMARQUE: NE JAMAIS VAPORISER D'EAU DANS L'UNITÉ APRES AVOIR UTILISÉ LES MODES AIR CHAUD OU COMBI.

4. Laisser agir le produit de nettoyage pendant 10 à 20 minutes avec le four à l'arrêt.
5. Régler la minuterie pour 15 ou 20 minutes. Mettre le sélecteur de mode sur Vapeur. Ceci ramollira les résidus recuits.
6. Rincez l'intérieur avec l'ensemble tuyau/bouteille vaporisatrice.
7. Régler le sélecteur de mode sur vapeur pendant cinq minutes pour purger l'intérieur du four et retirer tous les résidus de détergent.

REMARQUE: L'intérieur du four ne doit jamais être gratté ni décapé.

NETTOYAGE DE L'EXTÉRIEUR

Les extérieurs peuvent être nettoyés et conservés en bon état avec un nettoyeur d'acier inoxydable.

REMARQUE: L'extérieur de l'appareil ne doit pas être vaporisé avec de l'eau.

ENTRETIEN PRÉVENTIF

Les meilleures mesures d'entretien préventif sont:

- une installation correcte de l'équipement
- deliming the steam generator (if applicable)
- un programme de nettoyage régulier

L'appareil ne nécessite aucune lubrification. Si des réparations ou de la maintenance est nécessaire, prendre contact avec l'usine, avec le représentant de l'usine ou avec une entreprise de service Blodgett Combi locale.



AVERTISSEMENT!!

Débrancher l'appareil de l'alimentation électrique avant le service ou le nettoyage.



Entretien

Détartrage

1. Tourner le Commutateur de sélection de mode (1) sur le mode VAPEUR. Attendre qu'il y ait production de vapeur, ce qui assure que l'eau dans le générateur de vapeur est chaude.
2. Tourner le Commutateur de sélection de mode (1) sur le mode REFROIDISSEMENT et laisser la porte ouverte. Laisser le four se refroidir à 66°C, ce qui assure que l'interrupteur Vidange/Chasse fonctionnera à l'ÉTAPE 8.
3. Tourner le Commutateur de sélection de mode (1) sur ARRÊT.
4. Dans un récipient de bonne dimension, mélanger la solution de détartrage et l'eau chaude du robinet. Se reporter au tableau ci-dessous pour connaître le bon dosage:

Modèle	Solution Détartrante	Eau chaude du robinet
COS-6	355 ml	2.8 litres
COS-101	532 ml	4.7 litres
COS-101S	532 ml	4.7 litres

REMARQUE: Ces volumes sont approximatifs. Vous pouvez avoir besoin de plus ou moins d'eau chaude suivant le site.

5. Retirer le bouchon de l'orifice de détartrage (5). Attacher l'ensemble de l'entonnoir et du tuyau (3) fourni, sur l'entrée de détartrage.
6. Ouvrir la vanne de l'orifice de détartrage (2) et verser le mélange de détartrage. Arrêter de verser quand l'entonnoir arrête d'absorber le liquide. C'est la quantité correcte pour le site.

7. Fermer la vanne de l'orifice de détartrage (2). Visser le bouchon de l'orifice de détartrage. Laisser le mélange agir pendant 20 minutes. Dans les zones d'eau dure, attendre 1 heure.
8. Enfoncer et tenir enfoncé l'interrupteur vidange/chasse (4) en position de CHASSE pendant 90 secondes. Ceci complète le procédé de détartrage.

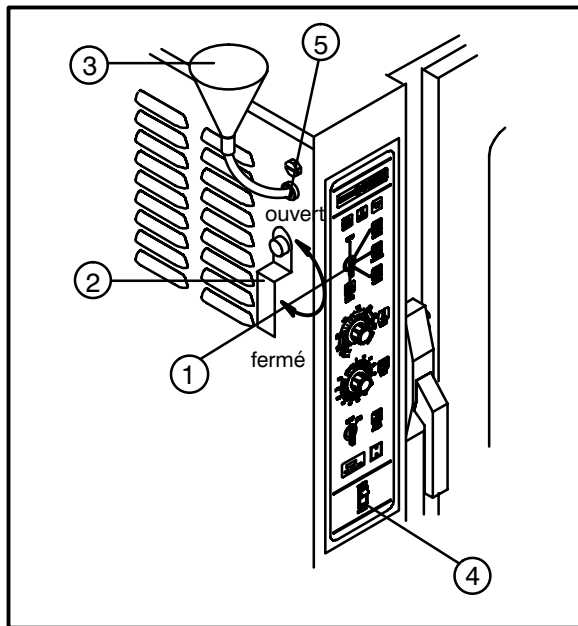


Figure 15

**INSERT
WIRING DIAGRAM
HERE**

**PLACEZ VOS
SCHÉMAS ÉLECTRIQUES
ICI**