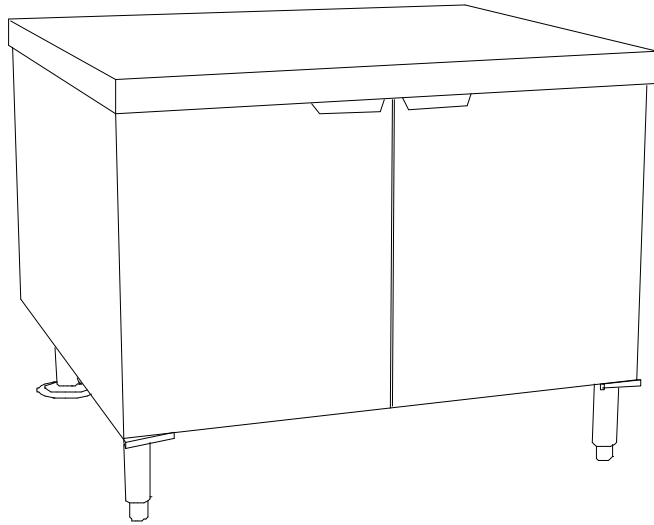




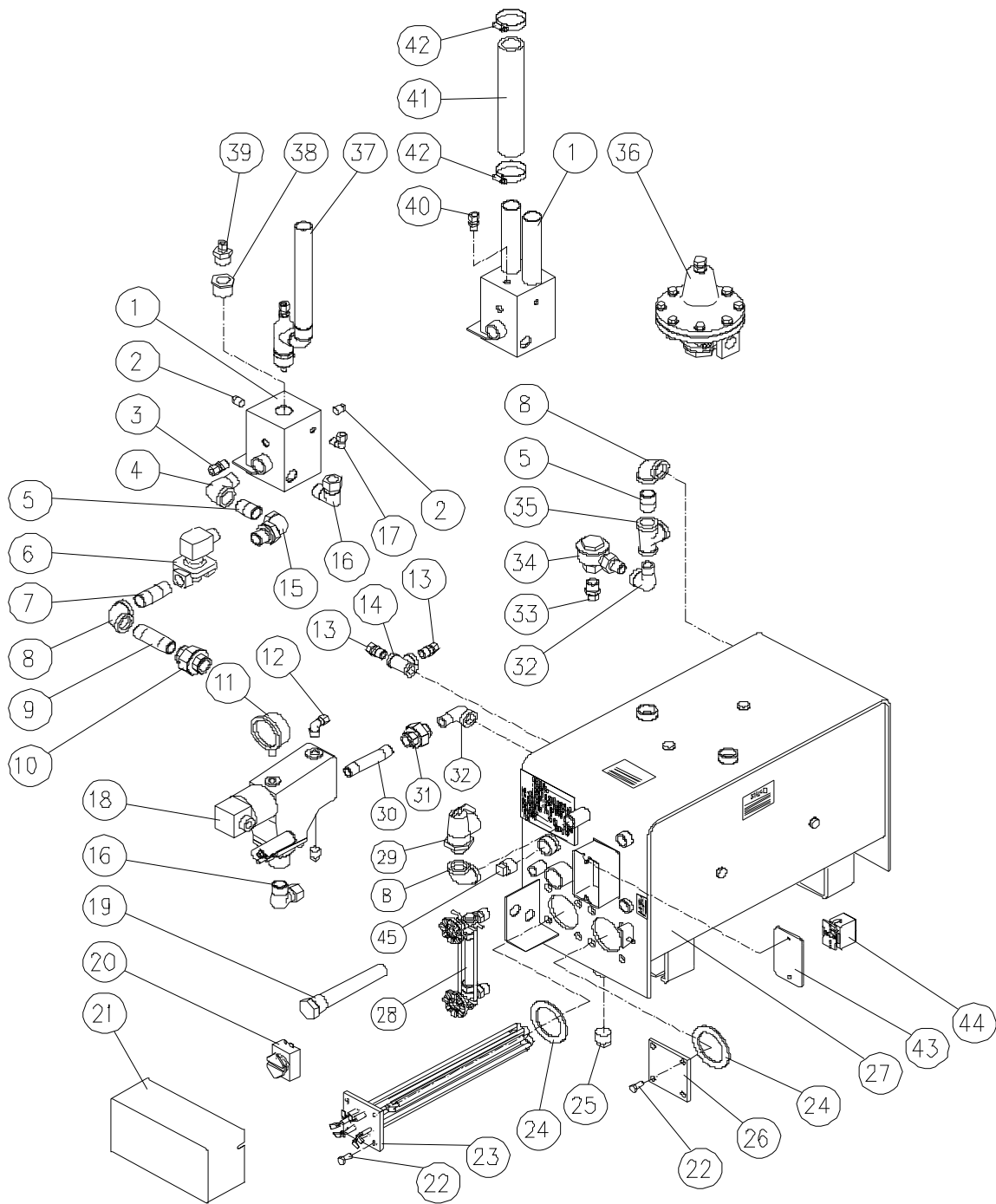
PARTS LIST
ELECTRIC BOILERS

MODELS: CB24-24E
CB36-24E
CB36-36E
CB36-42E



April 6, 2007
BLODGETT OVEN CO ▪ 44 lakeside Ave ▪ Burlington, VT 05446
Tel. 800-331-5842 ▪ Fax 802-860-3732 ▪ www.blodgett.com

FIGURE 1



5480-1R0

FIGURE 1

ITEM	Part #	DESCRIPTION	QUANTITY	
**	1	41199	Appliance Drain (Pressureless)	1
		41200	Appliance Drain (Pressure)	1
	2	41814	Square Plug 1/4 NPT	1
	3	40431	Connector 3/8C x 3/8 NPT	1
	4	41791	Street Elbow 3/4 NPT 150 #	1
	5	42962	Close Nipple 3/4"	2
* **	6	40551	Ball Valve	1
		40604	Blowdown Solenoid	1
	7	43279	Nipple 3/4 x 2-1/2"	1
	8	41789	Elbow 3/4", 150 #	3
	9	42966	Nipple 3/4 x 3"	1
	10	42942	Ground Joint Union 3/4", 150 #	1
	11	40576	Pressure Gauge 30 PSI	1
	12	40445	Elbow 3/8C x 3/8 NPT	1
	13	40431	Connector 3/8C x 3/8 NPT	2
	14	42939	Tee 3/8", 150 #	1
	15	40617	Union Elbow 3/4"	1
	16	40439	Elbow 3/4C x 3/4 NPT	1
	17	40444	Elbow 3/8C x 1/4 NPT	1
	18	41009	Water Level Control	1
	*	41748	Float	1
	*	41747	Switch	1
	*	41745	Round Gasket	1
	*	41746	Square Gasket	1
*	18	41749	Blowdown Valve	1
**	19	42371	Anode-Screw Type	1
	*	41728	Anode	1

<u>ITEM</u>	<u>Part #</u>	<u>DESCRIPTION</u>	<u>QUANTITY</u>	
	20	40996	Condensate Thermostat	1
	21	43378	Element Cover	1
	22	40098	Hex Bolt 5/16 - 18 x 3/4	4 Per Element
**	23	41379	Element, 24 kW, 208V	1
		41380	Element, 24 kW, 240V	1
		41381	Element, 24 kW, 480V	1
		41385	Element, 24 kW, 220/380V	1
		42223	Element, 24 kW, 347V, (600V),	1
		41375	Element, (18 kW), 36 kW, 208V	2
		41376	Element, (18 kW), 36 kW, 220/380V	2
		41377	Element, (18 kW), 36 kW, 240V	2
		41378	Element, (18 kW), 36 kW, 480V	2
		42220	Element, (18 kW), 36 kW, 347V, (600V)	2
		41375	Element, (18 kW), 42 kW, 208V	1
		41379	Element, (24 kW), 42 kW, 208V	1
		41376	Element, (18 kW), 42 kW, 220/380V	1
		41385	Element, (24 kW), 42 kW, 220/380V	1
		41377	Element, (18 kW), 42 kW, 240V	1
**	23	41380	Element, (24 kW), 42 kW, 240V	1
		41378	Element, (18 kW), 42 kW, 480V	1
		41381	Element, (24 kW), 42 kW, 480V	1
		42220	Element, (18 kW), 42 kW, 347V (600V)	1
		42223	Element, (24 kW), 42 kW, 347V (600V)	1
		41380	Element, (24 kW), 48 kW, 240, 415, 240/415V	2
		41385	Element, (24 kW), 48 kW, 220/380, 380V	2
		41381	Element, (24 kW), 48 kW, 480V	2
		42223	Element, (24 kW), 48 kW, 347V (600V)	2
	24	41619	Element Gasket	2

<u>ITEM</u>	<u>Part #</u>	<u>DESCRIPTION</u>	<u>QUANTITY</u>	
	25	43364	Square Plug 3/4"	1
**	26	42316	Blank Plate	1
	*	42336	Mounting Plate complete with Anode	1
	27	41501	Boiler Shell	1
	28	40618	Water Gauge Assembly	1
	*	41877	Water Gauge Glass - 4-3/4"	1
	*	41741	Rods	2
	*	41743	Rubber Washers	2
	*	41744	Brass Washers	2
	29	40611	Relief Valve 15 PSI	1
	30	42957	Nipple, 1/2 x 4" Brass	1
	31	41797	Ground Joint Union 1/2", 150 #	1
	32	41970	Street Elbow, 1/2", 150#	2
	33	40432	Connector, 3/8C x 1/2 NPT	1
	34	40615	Steam Trap, 1/2"	1
	35	42938	Tee, 3/4 x 1/2 x 3/4, 150#	1
	36	40578	Pressure Regulator, 3-15 PSI	1
	37	42811	Drain Assembly (Pressure)	1
	38	42949	Reducer Bushing 1 x 3/4 NPT	1
	39	40431	Connector, 3/8C x 3/8 NPT	1
	40	404030	Connector, 3/8C x 1/4 NPT	1
	41	42216	Drain Hose (Pressureless)	2
	42	41800	Gear Clamp	4
	43	41890	High Limit Box Cover	1
	44	41888	High Limit Thermostat	1
	*	43008	Screw 6-32 x 1/4	2
	45	43364	Square Head Plug, 3/4 NPT	1

STANDARD CONTROLS

FIGURE 2

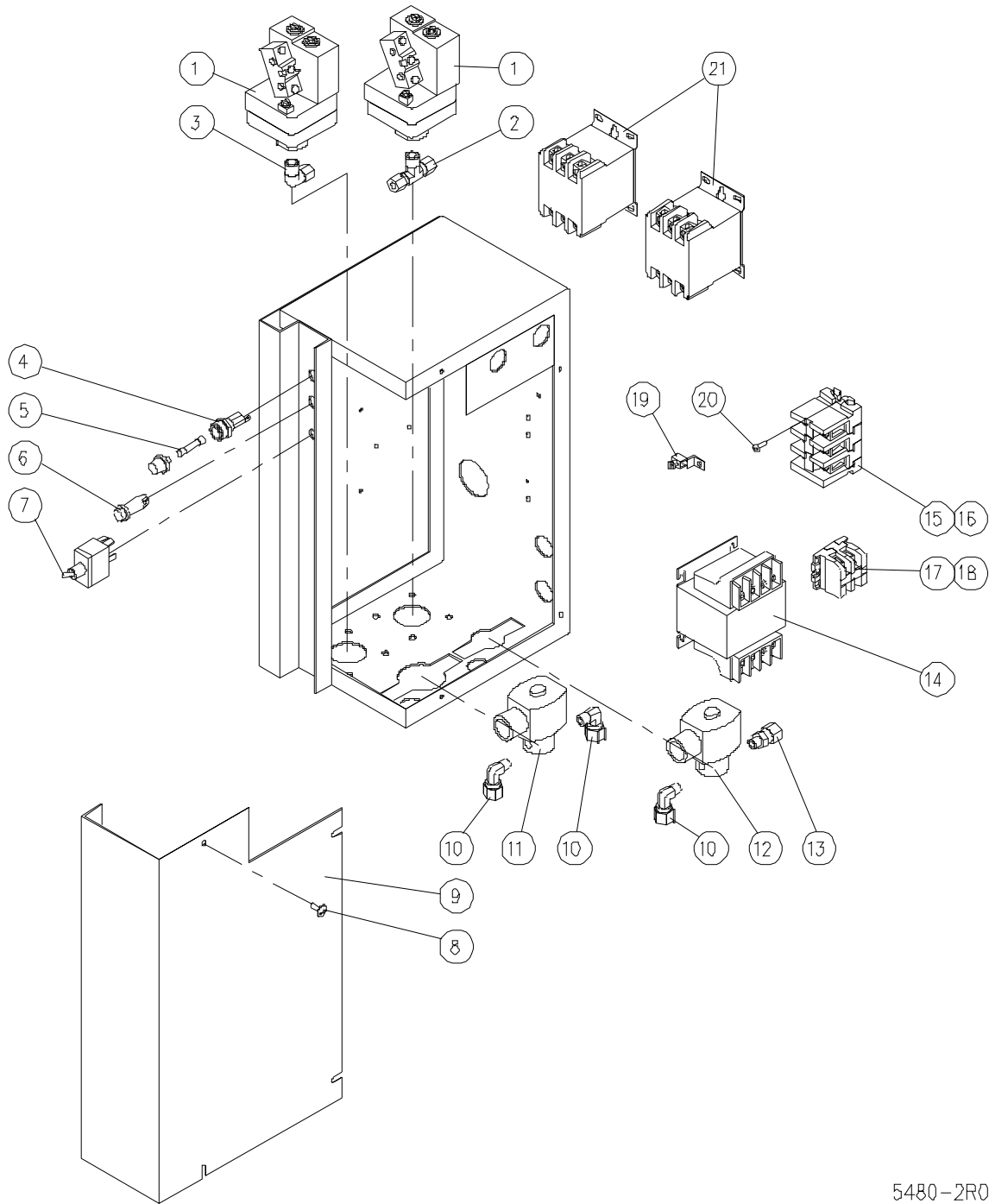


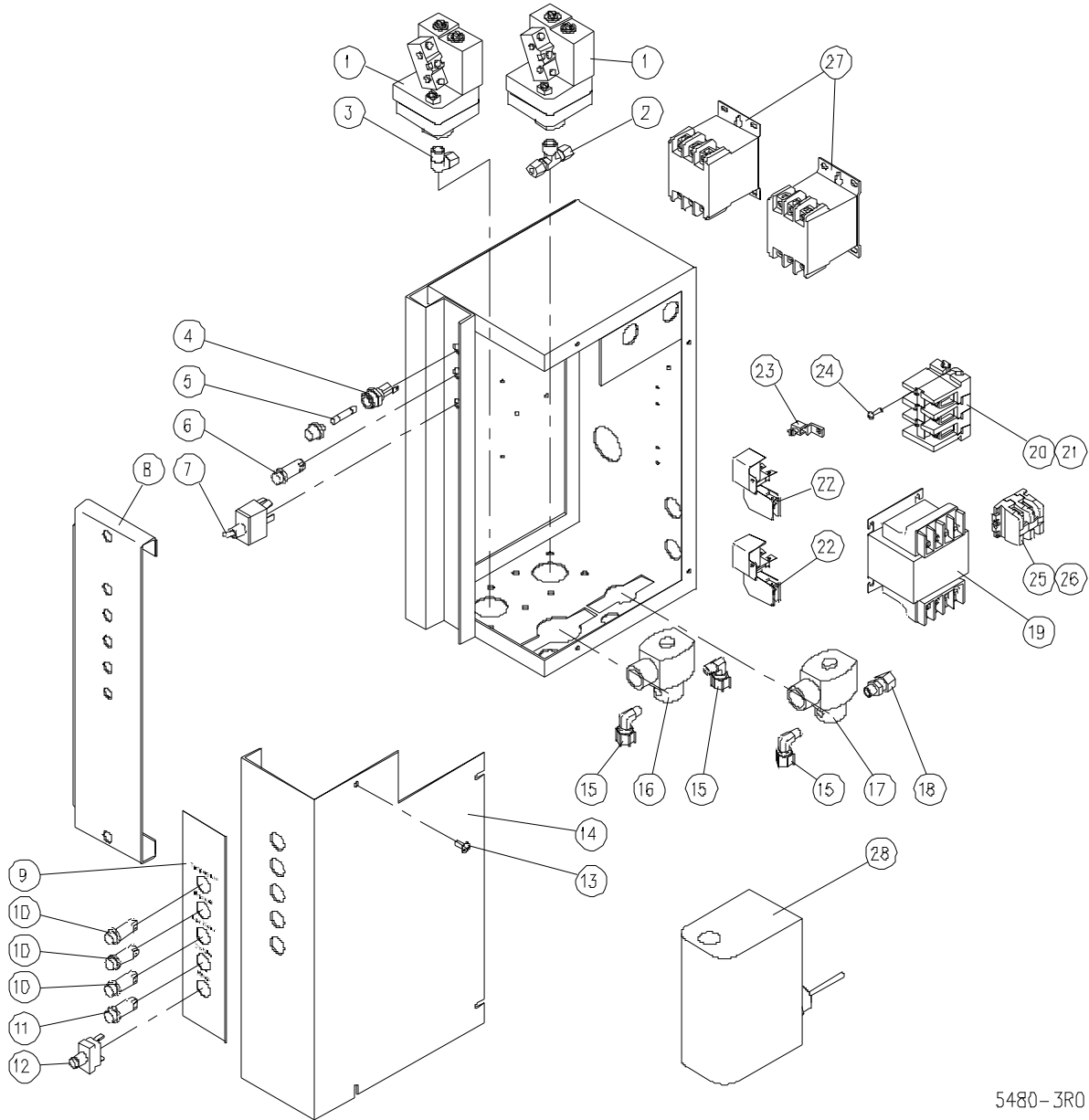
FIGURE 2

<u>ITEM</u>	<u>Part #</u>	<u>DESCRIPTION</u>	<u>QUANTITY</u>
1	40809	Pressure Switch complete with Transducer	2
2	40459	Tee, 1/4C x 1/4 NPT	1
3	40444	Elbow, 1/4 C x 1/4 NPT	1
4	41862	Fuse Holder	1
**	41861	Fuse, 3 Amp., 250V	1
	42971	Fuse, 2 Amp., 250V (480V, 42 kW)	1
6	40945	Pilot Light - Green	1
7	41883	ON/OFF Switch	1
8	43007	Screw, 10 - 32 x 1/4	4
9	41456	Control Box Cover	1
10	40443	Elbow, 3/8C x 1/8 NPT	3
11	40592	Water Fill Valve	1
12	40590	Condensate Valve	1
13	40429	Connector, 3/8C x 1/8 NPT	1
**	40981	Transformer, 208/120, 60 Hz, 200VA	1
	40978	Transformer, 220/110, 50/60 Hz, 200VA	1
	40978	Transformer, 240/120, 50/60 Hz, 200VA	1
	40979	Transformer, 380/120, 50/60 Hz, 200VA	1
	40979	Transformer, 415/120, 50/60 Hz, 200VA	1
	40978	Transformer, 480/120, 50/60 Hz, 200VA	1
	42733	Transformer, 600/120, 60 Hz, 200VA	1
15	40734	Terminal Block Section	3
16	40733	End Section	1
17	40708	Terminal Block Section	2
18	40707	End Section	1
19	40840	Ground Lug	1
*	42013	Earth I.D. Tag	1

<u>ITEM</u>	<u>Part #</u>	<u>DESCRIPTION</u>	<u>QUANTITY</u>	
	20	43009	Screw, 8-32 x 1/4	2
**	21	40919	Contactor, 24 kW, 208, 220, 240V	2
		40919	Contactor, 24 kW, 380, 415, 600, 220/380, 240/415V	1
		40922	Contactor, 36 kW, 208V	2
		40919	Contactor, 36 kW, 220, 240V	2
		40922	Contactor, 36 kW, 380, 415, 220/380, 240/415V	1
		40919	Contactor, 36 kW, 480, 600V	1
		40922	Contactor, 42 kW, 208, 220, 240V	2
		40924	Contactor, 42 kW, 380, 22/380V	1
		40922	Contactor, 42 kW, 415, 480, 240/415V	1
		40919	Contactor, 42 kW, 600V	1
		40922	Contactor, 48 kW, 240V	2
		40924	Contactor, 48 kW, 380, 415, 220/380, 240/415V	1
		40922	Contactor, 48 kW, 480V	1
		40919	Contactor, 48 kW, 600V	1

* NOT SHOWN.

** SELECT AS REQUIRED.



5480-3R0

FIGURE 3

ITEM	Part #	DESCRIPTION	QUANTITY	
	1	40809	Pressure Switch complete with Transducer	2
	2	40459	Tee, 1/4C x 1/4 NPT	1
	3	40442	Elbow, 1/4C x 1/4 NPT	1
	4	41862	Fuse Holder	1
**	5	41861	Fuse, 3 Amp., 250V	1
		41860	Fuse, 2 Amp., 250V (480V, 42 kW)	1
	6	40945	Pilot Light, Green	1
	7	41883	ON/OFF Switch	1
	8	42858	Control Panel	1
	9	41216	Control Decal	1
	10	40950	Pilot Light, Red	3
	11	40948	Pilot Light, Amber	1
	12	41746	Reset Switch	1
	13	43007	Screw 10-32 x 1/4	4
	14	42729	Control Box Cover	1
	15	40443	Elbow, 3/8C x 1/8 NPT	3
	16	40592	Water Fill Valve	1
	17	40590	Condensate Valve	1
	18	40429	Connector, 3/8C x 1/8 NPT	1
**	19	40981	Transformer, 208/120, 60 Hz, 200VA	1
		40978	Transformer, 220/110, 50/60 Hz, 200VA	1
		40978	Transformer, 240/120, 50/60 Hz, 200VA	1
		40979	Transformer, 380/120, 50/60 Hz, 200VA	1
		40979	Transformer, 415/120, 50/60 Hz, 200VA	1
**	19	40978	Transformer, 480/120, 50/60 Hz, 200VA	1
		42733	Transformer, 600/120, 60 Hz, 200VA	1
	20	40734	Terminal Block Section	3

<u>ITEM</u>	<u>Part #</u>	<u>DESCRIPTION</u>	<u>QUANTITY</u>	
	21	40733	End Section	1
	22	42095	Relay Single Pole, 120V	2
	23	40840	Ground Lug	1
	*	42013	Earth I.D. Tag	1
	24	43009	Screw 8-32 x 14	2
	25	40708	Terminal Block Section	2
	26	40707	End Section	1
**	27	40919	Contactor, 24 kW, 208, 220, 240V	2
		40919	Contactor, 24 kW, 380, 415, 600, 220/380, 240/415V	1
		40922	Contactor, 36 kW, 208V	2
		40919	Contactor, 36 kW, 220, 240V	2
		40922	Contactor, 36 kW, 380, 415, 220/380, 240/415V	1
		40919	Contactor, 36 kW, 480, 600V	1
		40922	Contactor, 42 kW, 208, 220, 240V	2
		40924	Contactor, 42 kW, 380, 22/380V	1
		40922	Contactor, 42 kW, 415, 480, 240/415V	1
		40919	Contactor, 42 kW, 600V	1

<u>ITEM</u>	<u>Part #</u>	<u>DESCRIPTION</u>	<u>QUANTITY</u>	
**	27	40922	Contactora, 48 kW, 240V	2
		40924	Contactora, 48 kW, 380, 415, 220/380, 240/415V	1
		40922	Contactora, 48 kW, 480V	1
		40919	Contactora, 48 kW, 600V	1
	28	41010	Secondary Low Water Cut Off	1
*		41011	Probe	1

* NOT SHOWN.

** SELECT AS REQUIRED.

FIGURE 4

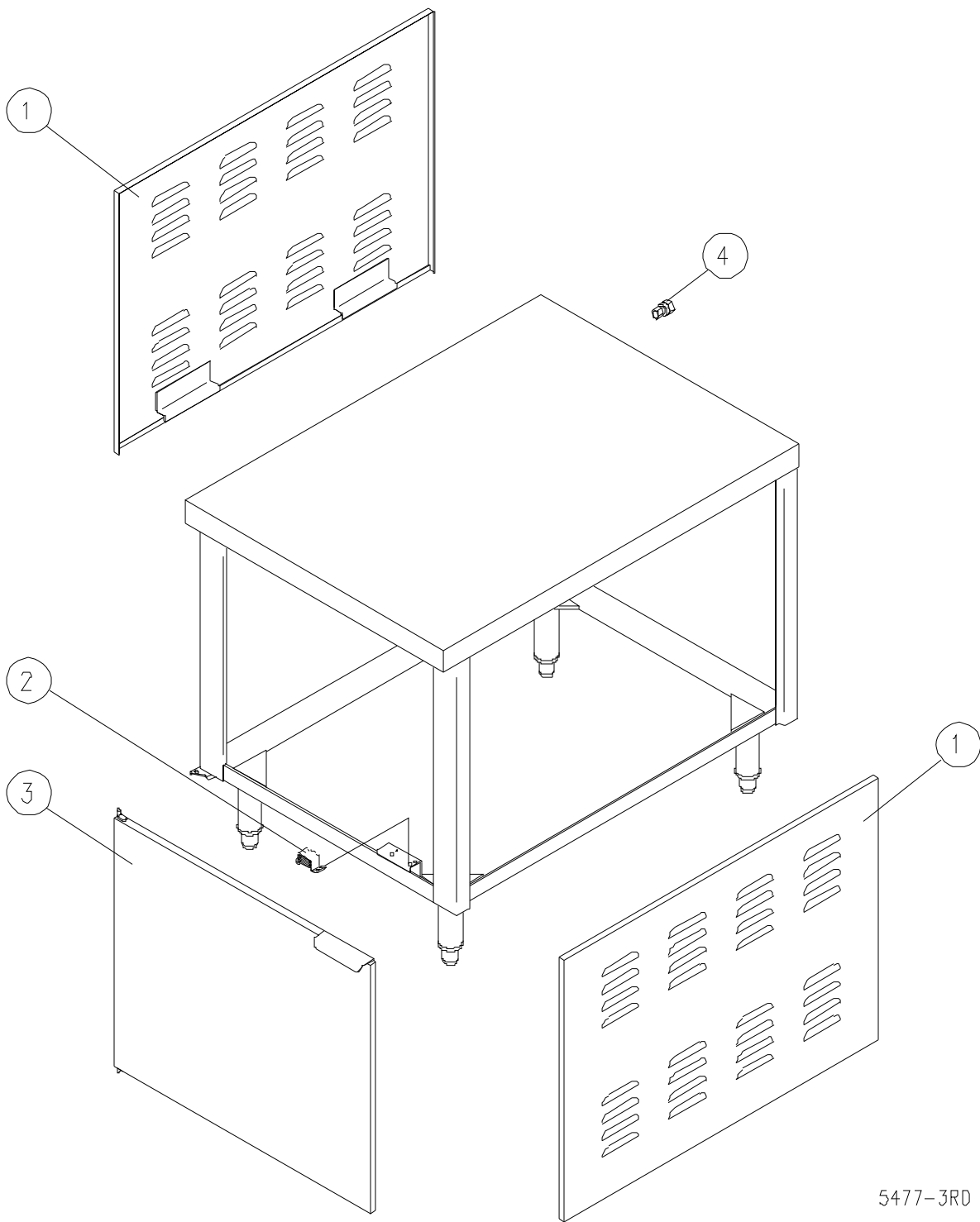


FIGURE 4**CABINET 28" HEIGHT**

<u>ITEM</u>	<u>Part #</u>	<u>DESCRIPTION</u>	<u>WIDTH</u>		
			<u>24"</u>	<u>36"</u>	<u>48"</u>
1	43366	Side Panel	2	2	2
2	41140	Magnet Catch	1	2	2
	40006	Catch Screw	4	8	8
3	42663	Cabinet Door	1		
*	41466	Right Hand Door		1	
*	41468	Left Hand Door		1	
*	42324	Right Hand Door			1
*	42331	Left Hand Door			1
4	40418	Water Connection	1	1	1

CABINET 32" HEIGHT

FIGURE 4

<u>ITEM</u>	<u>Part #</u>	<u>DESCRIPTION</u>	<u>WIDTH</u>					
			<u>24"</u>	<u>36"</u>	<u>42"</u>	<u>44"</u>	<u>48"</u>	<u>60"</u>
1	41473	Side Panel	2	2	2	2	2	2
2	41140	Magnetic Catch	1	2	2	2	2	3
	40006	Catch Screws	4	8	8	8	8	12
3	43379	Door	1					
*	41467	Right Hand Door		1				
*	41469	Left Hand Door		1				
*	42329	Right Hand Door			1			
*	42335	Left Hand Door			1			
*	42323	Right Hand Door				1		
*	42330	Left Hand Door				1		
*	42328	Right Hand Door					1	
*	42334	Left Hand Door					1	
*	42326	Right Hand Door						1
*	42333	Left Hand Door						1
*	42327	Centre Door						1
4	40418	Water Connection		1	1	1	1	1

* NOT SHOWN.