



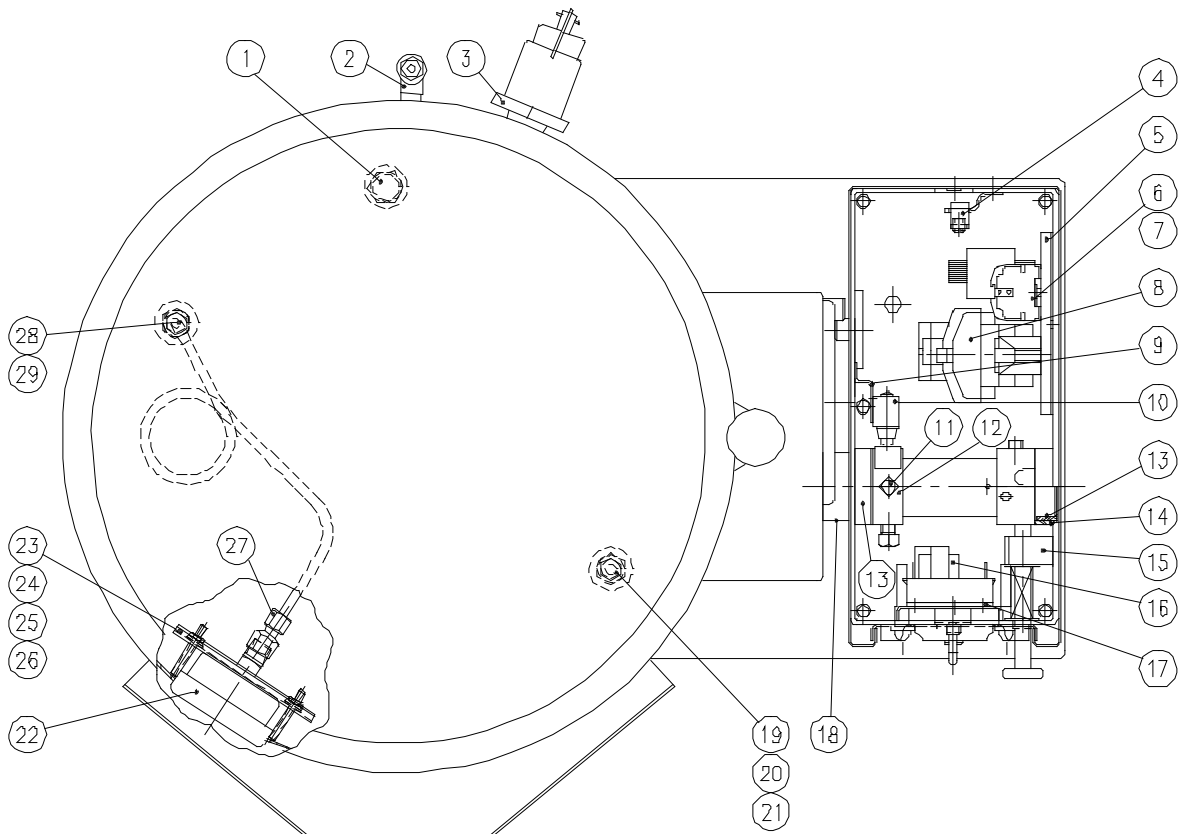
**PARTS LIST**  
**SELF-GENERATING STEAM JACKETED COUNTER TILTING KETTLES**  
**BLODGETT MODELS: KTT-6E**  
**KTT-10E**  
**KTT-12E**



April 7, 2010  
**BLODGETT OVEN CO** • 44 Lakeside Ave •  
Burlington, VT 05446  
Tel. 800-331-5842 • Fax 802-860-3732 •  
[www.blodgett.com](http://www.blodgett.com)

PARTS LIST, SELF-GENERATING STEAM JACKETED COUNTER TILTING KETTLES,  
KTT-6E, KTT-10E, KTT-12E

**Figure 1**



00464R0  
1/4

PARTS LIST, SELF-GENERATING STEAM JACKETED COUNTER TILTING KETTLES,  
KTT-6E, KTT-10E, KTT-12E

<u>ITEM</u>	<u>PART#</u>	<u>DESCRIPTION</u>	<u>QUANTITY</u>	
			<u>KTT-6E</u>	<u>KTT-10E</u> <u>KTT-12E</u>
1	40930	Liquid Level Probe	1	1
2	40548	Air Vent Assembly	1	1
3	40613	Safety Relief Valve	1	1
4	40840	Ground Lug	1	1
5	42176	Component Mounting Bracket	1	1
6	40708	Terminal Block	3	3
7	40707	Terminal block section	1	1
**	40943	Contactor (208, 240V)	2	2
	40943	Contactor (380, 416, 480, 600V)	1	1
9	42668	Micro Switch Bracket	1	1
10	40938	Micro Switch	1	1
11	41803	Square Head Set Screw 3/8 -16NC x 1/2	2	2
12	40372	Actuating Collar	1	1
13	41753	Trunnion Bronze Bearing	1	1
14	40358	Trunnion Bearing Housing	2	2
15	41219	Marine Lock Assembly	1	1
16	43561	Temperature Controller	1	1
17	40807	Mounting Plate	1	1
18	40357	Boston Bronze Bearing	1	1
19	40300	Reducer 3/8NPT - 1/4NPT	1	1
20	40423	Compression Fitting	1	1
21	41008	Temperature Probe	1	1
22	40907	Pressure Gauge	1	1
*	40751	"O" Ring	1	1
23	42667	Pressure Gauge Plate	1	1

PARTS LIST, SELF-GENERATING STEAM JACKETED COUNTER TILTING KETTLES,  
KTT-6E, KTT-10E, KTT-12E

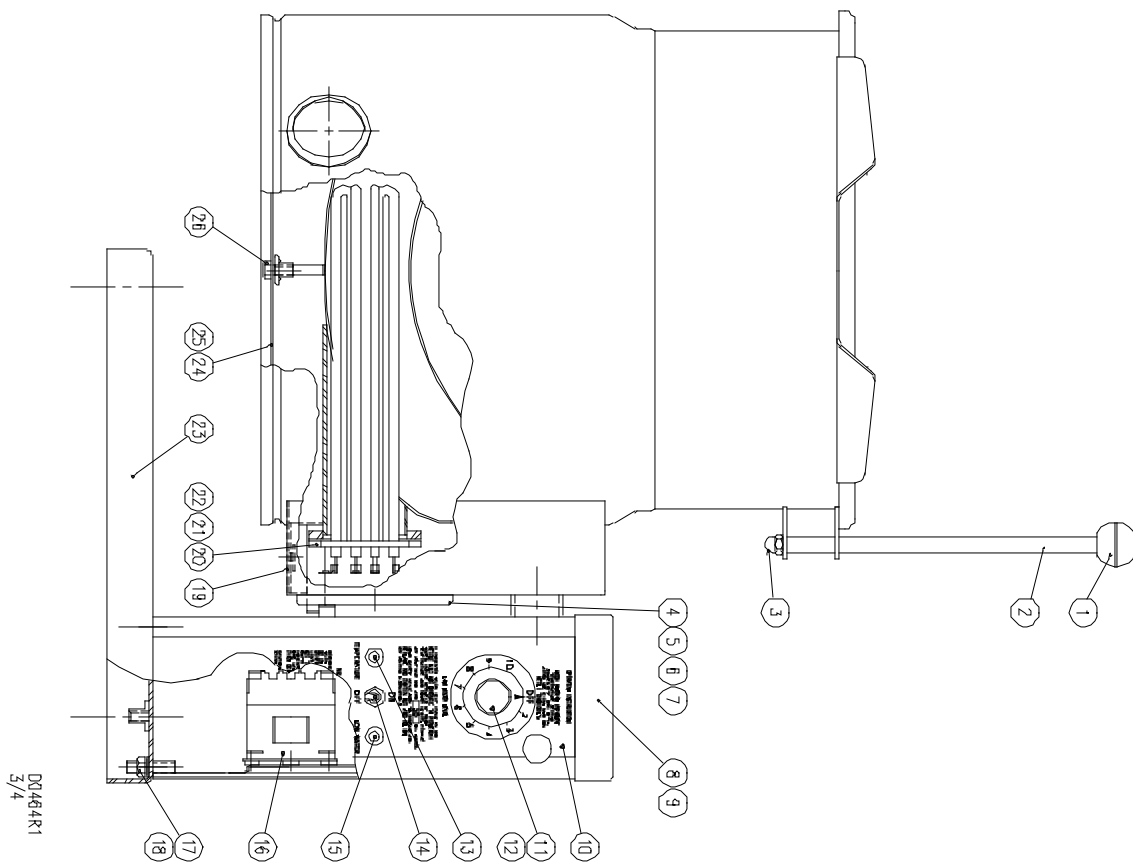
<u>ITEM</u>	<u>PART#</u>	<u>DESCRIPTION</u>	<u>QUANTITY</u>		
				<u>KTT-6E</u>	<u>KTT-10E</u> <u>KTT-12E</u>
	24	43289	Hex Nut #10 - 32NC Zinc	2	2
	25	43003	Flat Washer #10 Zinc	2	2
	26	43023	Split Lock Washer #10 Zinc	2	2
	27	40415	Compression Fitting	1	1
	28	40425	Compression Fitting	1	1
	29	41621	Copper Tubing		1
		41620	Copper Tubing	1	
*	30	40689	Wire Harness - Thermostat	1	1
*	31	40690	Wire Harness - Elements	1	1
*	32	43290	Hex Bolt 5/16-18 x 1-1/4	4	4
*	33	43291	Flat Washer 5/16 x 1-1/2 OD	4	4
*	34	41044	Relief Valve Extension	1	1

\* NOT SHOWN

\*\* SELECT AS REQUIRED

PARTS LIST, SELF-GENERATING STEAM JACKETED COUNTER TILTING KETTLES,  
KTT-6E, KTT-10E, KTT-12E

**FIGURE 2**



PARTS LIST, SELF-GENERATING STEAM JACKETED COUNTER TILTING KETTLES,  
KTT-6E, KTT-10E, KTT-12E

				<b><u>FIGURE 2</u></b>	
<b><u>ITEM</u></b>	<b><u>PART#</u></b>			<b><u>QUANTITY</u></b>	
				<b><u>KTT-6E</u></b>	<b><u>KTT-10E KTT-12E</u></b>
1	43029		Handle Knob	1	1
2	41519		Tilt Handle	1	1
3	43292		Acorn Nut 3/8" - 16UNC	1	1
4	41214		Element Access Cover Assembly	1	1
5	40802		Gasket	1	1
6	42601		Int. Tooth Lock Washer 1/4"	1	1
7	43293		Hex. Nut 1/4" - 20NC Zinc	1	1
8	40473		Console Cover Gasket	1	1
9	40352		Top Cover, Console	1	1
10	42898		Decal		1
	42891		Decal	1	
11	41118		Potentiometer complete with Wires and Push On Terminals	1	1
12	42456		Knob	1	1
13	40820		Temperature Pilot, Red	1	1
14	41883		Power Switch	1	1
15	40821		Low Water Pilot, Amber	1	1
16	43561		Liquid Level Control	1	1
17	41808		Hex Nut 3/8 - 16NC Zinc	5	5
18	43004		Flat Washer 3/8" Zinc	5	5
19	40353		Trunnion Box Bottom	1	
	40359		Trunnion Box Bottom		1
	40895		Gasket	1	
19	40896		Gasket		1

PARTS LIST, SELF-GENERATING STEAM JACKETED COUNTER TILTING KETTLES,  
KTT-6E, KTT-10E, KTT-12E

				<b><u>FIGURE 2</u></b>	
<b><u>ITEM</u></b>	<b><u>PART#</u></b>			<b><u>QUANTITY</u></b>	
				<b><u>KTT-6E</u></b>	<b><u>KTT-10E KTT-12E</u></b>
	40076		Screw 10-32 x ½	2	2
** 20	41363		Element Assembly, 7.5 kW, 208V	1	
	41364		Element Assembly, 7.5 kW, 220/380V	1	
	41365		Element Assembly, 7.5 kW, 240/416V	1	
	41366		Element Assembly, 7.5 kW, 480V	1	
	40758		Element Assembly, 7.5 kW, 600V	1	
	41367		Element Assembly, 12.0 kW, 208V		1
	41368		Element Assembly, 12.0 kW, 240/416V		1
	41369		Element Assembly, 12.0 kW, 220/380V		1
	41370		Element Assembly, 12.0 kW, 480V		1
	42221		Element Assembly, 12 kW, 600V		1
21	41618		Element Gasket	1	
	41619		Element Gasket		1
22	43294		Hex. Screw 5/16-18NC x 3/4, ST/ST	4	4
23	42665		Base Assembly	1	1
24	40355		Bottom Cover	1	
	40360		Bottom Cover		1
25	40806		Bottom Cover Gasket	1	
	40807		Bottom Cover Gasket		1
26	43295		Hex. Screw 5/16 - 18NC x ½ Zinc	1	1
* 27	43296		Element Terminal Screw, 10-32 x 3/8	4	4
* 28	40536		Faucet Bracket, (Optional)	1	1
* 29	42666		Kettle Cover, (Optional)	1	
	42477		Kettle Cover, (Optional)		1

PARTS LIST, SELF-GENERATING STEAM JACKETED COUNTER TILTING KETTLES,  
KTT-6E, KTT-10E, KTT-12E

				<b><u>FIGURE 2</u></b>	
<b><u>ITEM</u></b>	<b><u>PART#</u></b>			<b><u>QUANTITY</u></b>	
				<b><u>KTT-6E</u></b>	<b><u>KTT-10E KTT-12E</u></b>
* ** 30	40974		Transformer 380/416V-120V, 50/60 Hz, 100VA	1	1
	40980		Transformer 480V-120V, 60 Hz, 100VA	1	1
	40985		Transformer 600V-120V, 60 Hz, 100VA	1	1
* 31	41769		Fuse Holder 380, 416, 480V	2	2
* 32	41765		Fuse, ½ Amp, 600V (380, 416, 480, 600V)	2	2
* 33	43482		24" s/s stand with sliding drawer and drain connection	1	

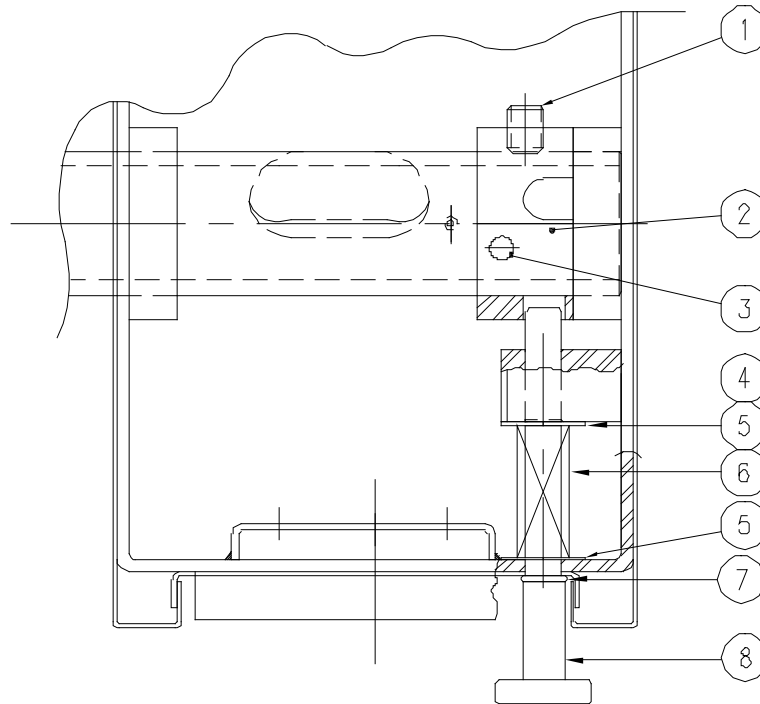
\* NOT SHOWN.

\*\* SELECT AS REQUIRED.



PARTS LIST, SELF-GENERATING STEAM JACKETED COUNTER TILTING KETTLES,  
KTT-6E, KTT-10E, KTT-12E

**FIGURE 3**



00465R0  
1/4

<u>ITEM</u>	<u>PART#</u>	<u>DESCRIPTION</u>	<u>QUANTITY</u>
1	41837	Hex. Socket Set Screw 3/8 -16NCX 1/2	1
2	41307	Cam Collar	1
3	41841	Spring Pin 1/4 Dia. x 2 1/4" Lg.	1
4	40134	External Ring Spae-Naur #R1000-37	1
5	43297	Plain Washer 3/8 ID x 7/8 OD x T = 0.048	2
6	40808	Spring	1
7	40138	"O" Ring Seal, E-515-80-11, 5/16 I.D.	1
8	40803	Locking Pin	1