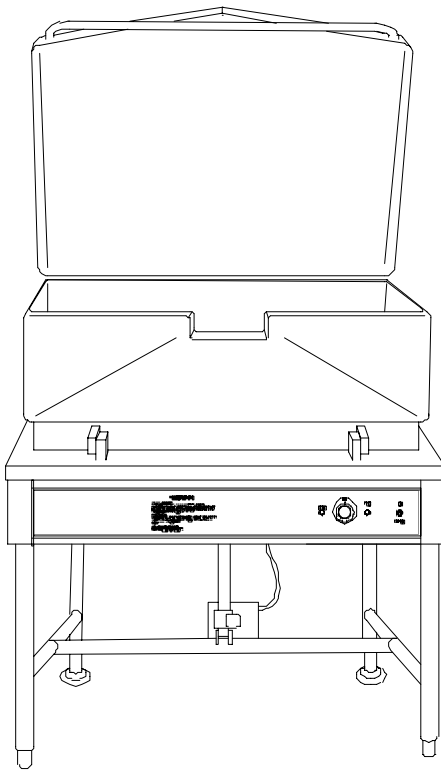


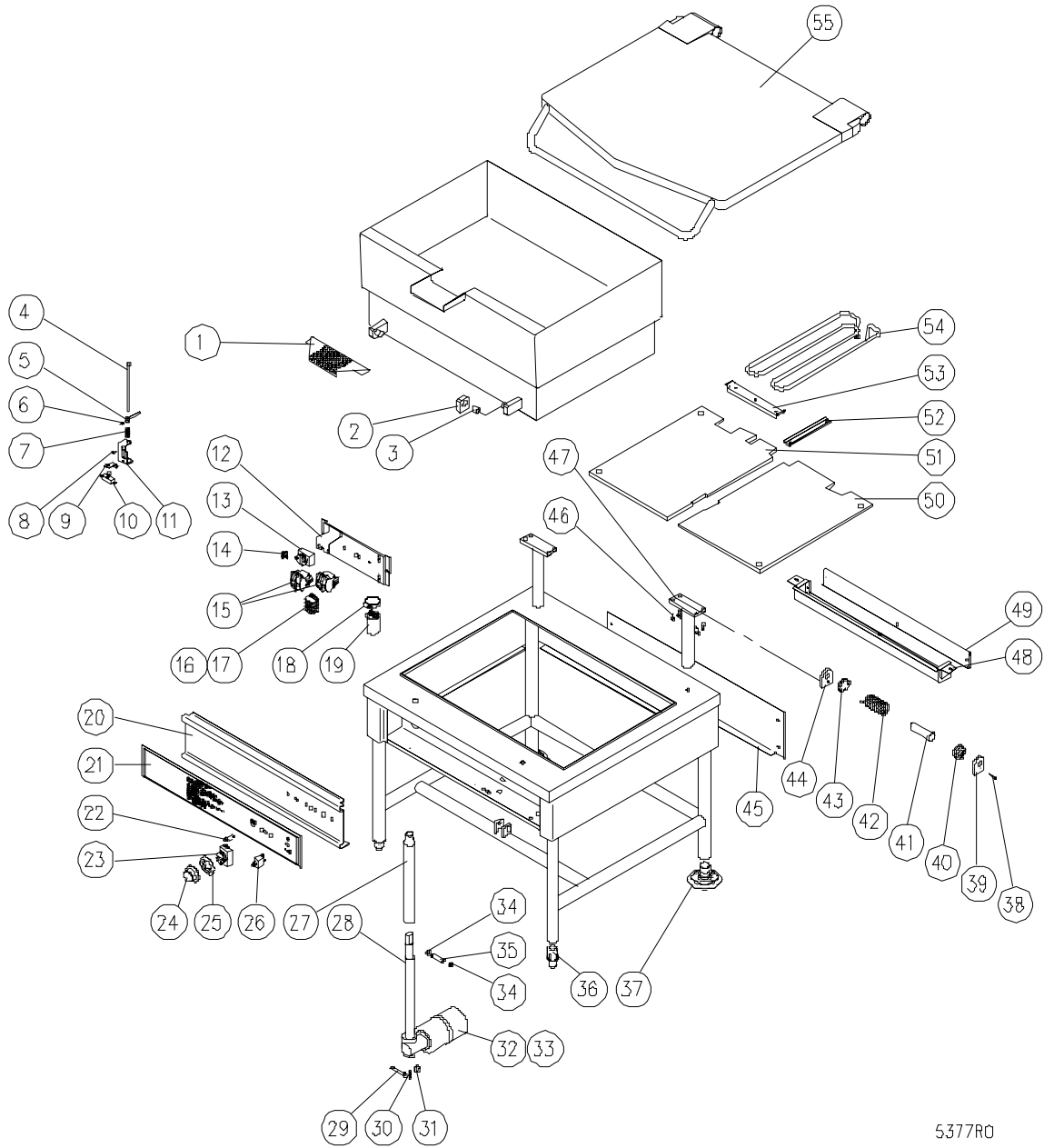


**PARTS LIST**  
**ELECTRIC MODULAR SKILLETS**  
**MODELS: BLP-30-E**  
**BLP-40-E**



**BLODGETT OVEN CO** ▪ 44 lakeside Ave ▪ Burlington, VT 05446  
Tel. 800-331-5842 ▪ Fax 802-860-3732 ▪ [www.blodgett.com](http://www.blodgett.com)

**FIGURE 1**



5377R0

**FIGURE 1**

<u>ITEM</u>	<u>PART NO.</u>	<u>DESCRIPTION</u>	<u>QUANTITY</u>		
			<u>30</u>	<u>40</u>	
1	42224	Pour Strainer	1	1	
2	43312	Tilt Bracket	2	2	
3	40452	Bushing	2	2	
	43344	Hx Bolt ½ - 13 x 1 S.S.	4	4	
4	43316	Actuator Rod	1	1	
5	43315	Actuator Arm	1	1	
6	43310	Set Screw #8-32 UNC x 3/16	1	1	
7	43309	Spring ½ O.D.	1	1	
8	43308	Truss Screw #10-24 UNC x 3/8	2	2	
9	43307	Switch Bracket	1	1	
10	42137	Limit Switch	1	1	
11	43306	Actuator Mounting Bracket	1	1	
12	42541	Panel Sub Assembly	1	1	
13	41004	Hi Limit Thermostat	1	1	
14	40840	Ground Lug	1	1	
	42013	Earth ID Tag	1	1	
**	15	40943	Contactor (220/380, 240/415V)	1	1
		40941	Contactor (208, 220, 240V)	2	2
		40942	Contactor (380, 415, 480, 600V)	1	1
**	16	40708	Terminal Block Section (208, 220, 240V)	3	
		40707	End Section (208, 220, 240V)	1	
		40708	Terminal Block Section (380, 415, 480, 600V)	2	2
		40707	End Section (380, 415, 480, 600V)	1	1
**	17	40734	Terminal Block Section (208, 220, 240V)		3
		40733	End Section (208, 220, 240V)		1

<u>ITEM</u>	<u>PART NO.</u>	<u>DESCRIPTION</u>	<u>QUANTITY</u>	
			<u>30</u>	<u>40</u>
	40734	Terminal Block Section (380, 415, 480, 600V)	3	3
	40733	End Section (380, 415, 480, 600V)	1	1
	40734	Terminal Block Section (220/380, 240/415V)	4	4
	40733	End Section (220/380, 240/415V)	1	1
18	41800	Gear Clamp	1	1
**	19	42264 Capacitor (220V)	1	1
	42266	Capacitor (120V)		
20	40181	Control Panel	1	
	40193	Control Panel		1
21	42293	Decal - Control Panel	1	
	42294	Decal - Control Panel		1
22	40951	Pilot Light - Red	1	1
23	41005	Thermostat - Operating	1	1
**	24	40848 Dial (F)	1	1
	40849	Dial (C)	1	1
25	40994	Bezel	1	1
26	41884	Tilt Switch	1	1
27	41096	Motor Actuator Shield	1	1
**	28	41125 Ball Drive Actuator Assembly, 220V, (Includes items 27, 32, 33)	1	1
	41126	Ball Drive Actuator Assembly, 120V (380, 415, 480, 600V, Includes items 27, 32, 33)	1	1
29	43305	Lower Pin	1	1
30	43298	Cotter Pin 1/8 x 1"	2	2
31	41850	Washer 7/16" 10 x 1" OD	2	2
**	32	42265 Motor, 220V	1	1
	42267	Motor, 120V (380, 415, 480, 600V)	1	1

<u>ITEM</u>	<u>PART NO.</u>	<u>DESCRIPTION</u>	<u>QUANTITY</u>	
			<u>30</u>	<u>40</u>
33	40720	Motor Cover	1	1
34	40127	Retaining Ring	2	2
35	41932	Yoke Pin	1	1
36	41130	Adjustable Feet	2	2
37	41474	Flanged Adjustable Feet	2	2
38	41543	Lock Pin	2	2
39	41546	End Lock Plate	2	2
40	43106	Stationary Disc	2	2
41	41100	Core	2	2
42	43345	Spring	2	2
43	43107	Rotary Disc	2	2
44	41520	End Stop Plate	2	2
45	43346	Rear Cover	1	
	43347	Rear Cover		1
46	40098	Machine Screw 1/4-20 x 3/4	8	8
47	43299	Hinge Support Assembly	2	
	43300	Hinge Support Assembly		2
48	43348	Element Enclosure Box	1	
	43349	Element Enclosure Box		1
49	40183	Enclosure Box Cover	1	
	40184	Enclosure Box Cover		1
50	41165	Element Insulation Shield Right Hand	1	
	40223	Element Insulation Shield Right Hand		1
51	41166	Element Insulation Shield Left Hand	1	
	40224	Element Insulation Shield Left Hand		1
52	40428	Bulb Enclosure	1	1
53	43178	Element Clamp	6	

<u>ITEM</u>	<u>PART NO.</u>	<u>DESCRIPTION</u>	<u>QUANTITY</u>	
			<u>30</u>	<u>40</u>
	40185	Element Clamp		9
** 54	41945	Element, 4 kW, 208V	3	
	41950	Element, 4 kW, 277V (480V)	3	
	41951	Element, 4 kW, 220V (220/380V)	3	
	41952	Element, 4 kW, 347V (600V)	3	
	41949	Element, 4 kW, 240V (240/415)	3	
	42271	Element, 5 kW, 208V		3
	42280	Element, 5 kW, 240V (240/415V)		3
	42273	Element, 5 kW, 220V (220/380V)		3
	42274	Element, 5 kW, 277V (480V)		3
	42279	Element, 5 kW, 347V (600V)		3
	42272	Element, 6 kW, 208V		3
	42275	Element, 6 kW, 240V (240/415V)		3
	42276	Element, 6 kW, 220V (220/380V)		3
	42277	Element, 6 kW, 277V (480V)		3
	42278	Element, 6 kW, 347V (600V)		3
55	42154	Pan Cover (7021)	1	
	42155	Pan Cover (7022)		1
* 56	40520	Faucet Bracket	1	1
* 57	42972	Self Adhesive Gasket Strip 45" Long (for control panel sealing)	1	
	43350	Self Adhesive Gasket Strip 57" Long (for control panel sealing)		1
* 58	43351	Inlet Grill Cover	1	1
* 59	43352	Transformer, 380/415V - 120V, 50/60 Hz, 500VA	1	1
**				
	43353	Transformer, 480/120V, 60 Hz, 500VA	1	1
	43354	Transformer, 600/120V, 60 Hz, 500VA	1	1

	<u>ITEM</u>	<u>PART NO.</u>	<u>DESCRIPTION</u>	<u>QUANTITY</u>	
				<u>30</u>	<u>40</u>
*	60	41767	Fuse, 3 Amp (380, 415, 480V)	2	2
**		43355	Fuse, 2 Amp (600V)	2	2
*	61	41769	Fuse Holder	2	2
**					

\* NOT SHOWN.

\*\* SELECT AS REQUIRED.