



## PARTS LIST

GAS TILTING SKILLETS  
BLODGETT MODELS:           BLT-30G  
  BLT-40G

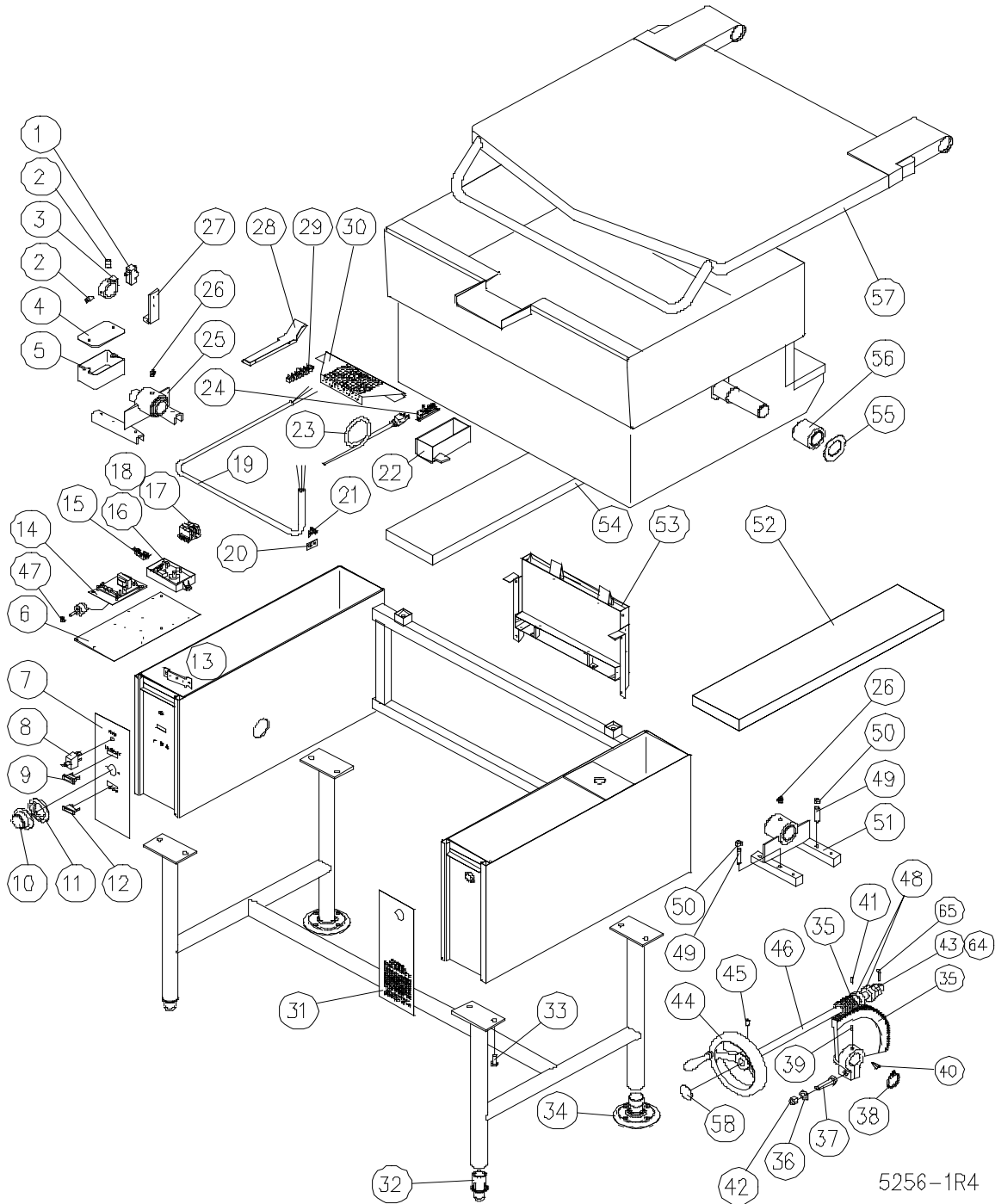


April 5, 2010

**BLODGETT OVEN CO** ▪ 44 lakeside Ave ▪ Burlington, VT  
05446

Tel. 800-331-5842 ▪ Fax 802-860-3732 ▪ [www.blodgett.com](http://www.blodgett.com)

**FIGURE 1**



5256-1R4

<b>ITEM</b>	<b>Part #</b>	<b>DESCRIPTION</b>	<b>30</b>	<b>40</b>
1.	40938	Micro switch	1	1
2.	41803	Square Head Set Screw, 3/8 - 16 x 1/2	2	2
3.	40372	Actuator Collar (8-3087)	1	1
4.	41827	Electrical Box Cover	1	1
5.	41828	Electrical Box	1	1
6.	40166	Component Mounting Plate	1	1
7.	42643	Console Decal (9-3283)	1	1
8.	41883	Power Switch	1	1
9.	43240	Pilot Light, Temp. 125V (Red)	1	1
** 10.	40740	Dial (F)	1	1
	40828	Dial (C)	1	1
11.	40994	Bezel	1	1
12.	40913	Pilot Light - Ignition, 125V	1	1
13.	40438	Potentiometer Spacer	1	1
14.	41127	Temperature Control Complete With Potentiometer, 120V	1	1
15.	41844	Fuse Holder	1	1
	41861	Fuse 250V, 3 Amp.	1	1
16.	41093	Ignition Module	1	1
*	40871	Ignition Module Wire Harness	1	1
17.	40708	Terminal Block Section	3	3
18.	40707	End Section	1	1
19.	41057	Brass Tube C/W Thermocouple, High Limit Lead Wires		1
*	40735	Thermocouple Only	1	
	41058	Brass Tube C/W Thermocouple, High Limit Lead Wires	1	
*	40736	Thermocouple Only		1
20.	43180	Earth ID Tag	1	1
21.	40840	Ground Lug	1	1
22.	41054	Hi Limit Cover Assembly	1	1
23.	42706	Cord Set, 120V	1	1
24.	41920	Hi Limit Switch	1	1
25.	41300	Trunnion Housing Assembly	1	1

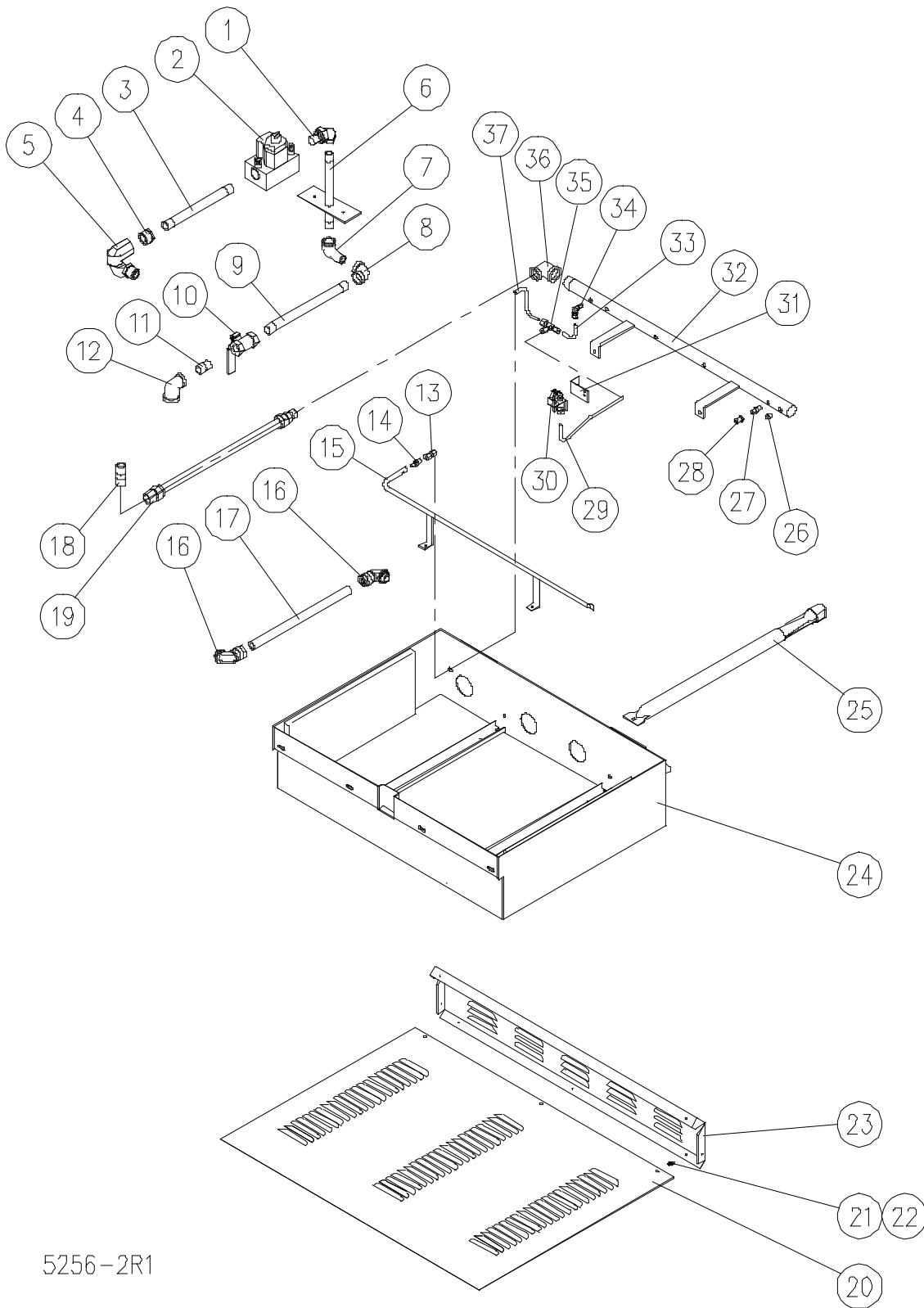
<b>ITEM</b>	<b>Part #</b>	<b>DESCRIPTION</b>	<b>30</b>	<b>40</b>
	43014	Hex Bolt, 3/16 - 18 x 5/8	4	4
26.	40887	Grease Fitting, 1/8	1	1
27.	40374	Limit Switch Bracket	1	1
28.	40858	Terminal Block Enclosure	1	1
29.	42270	Terminal Block	1	1
30.	42224	Strainer (2672-1)	1	1
31.	42211	Console Decal	1	1
32.	41130	Adjustable Foot	2	2
33.	40103	Bolt, 3/8 - 16 X 1	8	8
34.	41474	Adjustable Flanged Foot	2	2
35.	41095	Segment Gear and Worm Kit (Includes Items 36 to 42)		
36.	40132	Lock Washer, 1/2	1	1
37.	40249	Hex Bolt, 1/2 - 13 x 2	1	1
38.	40126	Spring Clip	1	1
39.	40082	Set Screw, 1/4 - 20 x 1/2	1	1
40.	41564	Key	1	1
41.	40266	Roll Pin	1	1
42.	40113	Hex Nut, 1/2 - 13	1	1
43.	40258	Jam Nuts	2	2
44.	41554	Hand Wheel	1	1
	41555	Spindle for Handwheel	1	1
45.	40101	Set Screw, 3/8 - 16 x 1/2	1	1
46.	41235	Tilt Shaft	1	1
47.	41882	Shaft Seal	1	1
48.	41090	Thrust Bearing	2	2
49.	42635	Set Screw, 3/8 - 16 x 1-1/2	2	2
50.	40108	Hex Nut, 3/8 - 16	2	2
51.	41299	Trunnion Housing Assembly	1	1
	43014	Hex Bolt, 3/16 - 18 x 5/8	4	4
** 52.	40363	Right Hand Console Cover	1	1
	70888	Right Hand Console Cover for Faucet (Optional)	1	1

<b>ITEM</b>	<b>Part #</b>	<b>DESCRIPTION</b>	<b>30</b>	<b>40</b>
53.	41253	Flue Assembly	1	
	41252	Flue Assembly		1
54.	40889	Left Hand Console Cover	1	1
55.	40404	Washer	2	2
56.	42478	Spacer	2	2
57.	43262	Pan Cover Assembly	1	
	43263	Pan Cover Assembly		1
58.	43212	Tilt Label	1	1
* 59	40738	Thermocouple - 48"	1	1
** 60	40474	Transformer and Fuse Mounting Bracket	1	1
** 61	40991	Transformer, 220/240 - 120V	1	1
*	40984	Transformer, 208/415 - 120V	1	1
** 62	40726	Double Pantry Faucet - 18" Spout	1	1
**	40727	Double Pantry Faucet - 12" Spout	1	1
**	40729	Single Pantry Faucet - 18" Spout	1	1
**	40730	Single Pantry Faucet - 12" Spout	1	1
** 63	40860	Caster Complete With Brake	2	2
**	40861	Caster Without Brake	2	2
64.	41091	Washer, 3/4 ID x 1-1/4 OD	1	1
65.	41092	Cotter Pin S.S. 3/16 x 1	1	1
* 66.	41099	Label - Service Warning	1	1

\* NOT SHOWN.

\*\* SELECT AS REQUIRED.

**FIGURE 2**



5256-2R1

<b><u>ITEM</u></b>	<b><u>Part #</u></b>	<b><u>DESCRIPTION</u></b>	<b><u>30</u></b>	<b><u>40</u></b>
1.	40616	Union Elbow, ½"	1	1
** 2.	41045	Combination Gas Control, ½, Natural Gas	1	1
	41046	Combination Gas Control, ½, LP Gas	1	1
3.	41778	Nipple, ½ x 8"	1	1
4.	41811	Reducing Bushing, ¾ x ½	1	1
5.	42268	Swivel Joint, ¾ x ¾	1	1
6.	43257	Gas Inlet Assembly, ½"	1	1
7.	41790	90° ST. Elbow, ½	1	1
8.	41788	90° Elbow, ½	1	1
9.	41779	Nipple, ½ x 9-1/2	1	1
10.	41893	Gas Shut Off Valve, ½"	1	1
11.	41773	Close Nipple, ½	1	1
12.	41796	90° Reducing Elbow, ¾ x ½	1	1
13.	40414	Connector, 1/4 c x 1/8 FPT	1	1
** 14.	42281	Lighter Tube Orifice, #56, Natural Gas	1	1
	42284	Lighter Tube Orifice, #72, LP Gas	1	1
15.	40172	Lighter Tube Assembly	1	
	40173	Lighter Tube Assembly		1
16.	42944	Liquid Tite Elbow, 3/8	2	2
17.	43258	Liquid Tite Conduit, 3/8	1	1
18.	41775	Nipple, ½ x 2	1	1
19.	42269	Gas Flex Hose	1	1
20.	41255	Bottom Cover	1	
	41254	Bottom Cover		1
21.	43259	Speed Nut, 8-32	8	10
22.	43260	Screw, 8-32 x 1/4	8	10
23.	40177	Manifold Cover	1	-
	40178	Manifold Cover	-	1
24.	41352	Burner Box	1	-
	41353	Burner Box	-	1

<b><u>ITEM</u></b>	<b><u>Part #</u></b>	<b><u>DESCRIPTION</u></b>	<b><u>30</u></b>	<b><u>40</u></b>
25.	42550	Burner	4	6
26.	41813	Pipe Plug, 1/8	1	1
27.	43261	Orifice Nipple	4	6
** 28.	42299	Burner Orifice, Natural Gas #44	4	
	42307	Burner Orifice, LP Gas #55	4	
	42308	Burner Orifice, LP Gas #56	-	6
	42300	Burner Orifice, Natural Gas #47	-	6
29.	41074	Burner Pilot Inlet Tube	1	1
** 30.	41041	Pilot Burner Complete With Ignitor (.018), Nat. Gas	1	1
	41042	Pilot Burner Complete With Ignitor (.010), LP Gas	1	1
31.	41040	Pilot Mounting Bracket	1	1
32.	40174	Manifold Assembly	1	-
	40176	Manifold Assembly	-	1
33.	41072	Manifold Outlet Tube	1	1
34.	40441	90° Elbow, 1/4 c x 1/8 MPT	1	1
35.	40408	Tee, 1/4 C	1	1
36.	41796	90° Reducing Elbow, 3/4 x 1/2	1	1
37.	41073	Orifice Inlet Tube	1	1

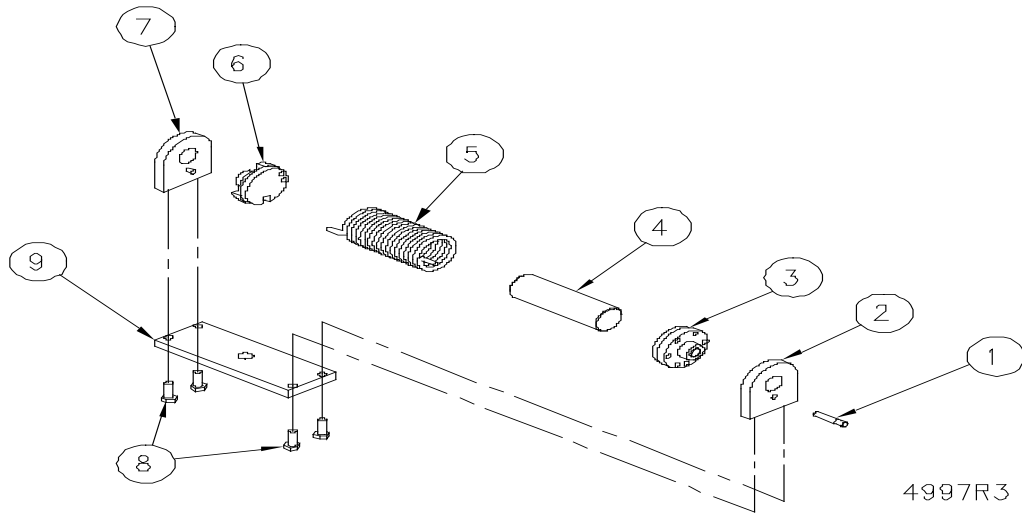
\* NOT SHOWN

\*\* SELECT AS REQUIRED



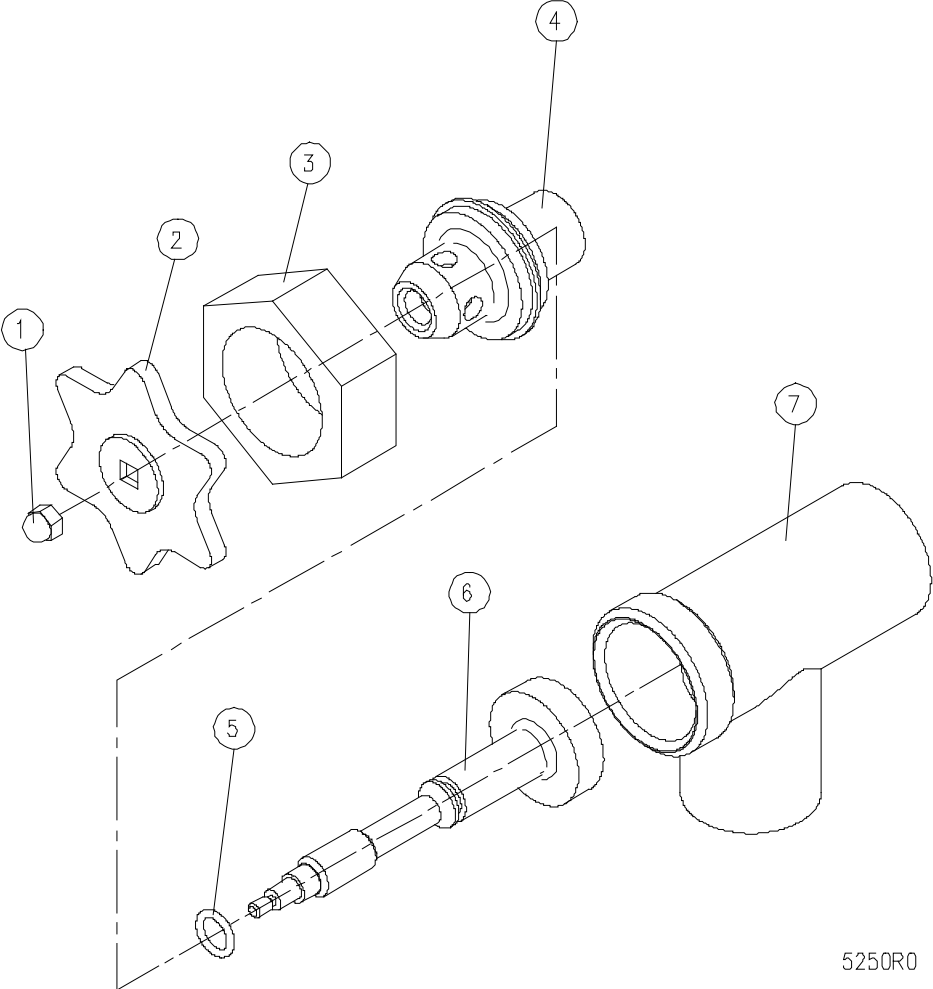
**HINGE ASSEMBLY**

**FIGURE 3**



<b><u>ITEM</u></b>	<b><u>Part #</u></b>	<b><u>DESCRIPTION 24 &amp; 30 GAL.</u></b>	<b><u>QUANTITY</u></b>
	42112	LARGE HINGE ASSEMBLY	
1.	41543	Lock Pin	1
2.	41546	End Lock Plate	1
3.	43106	Stationary Disc	1
4.	41100	Core	1
5.	41526	Spring	1
6.	43107	Rotary Disc	1
7.	41520	End Stop Plate	1
8.	40098	Cap Screws	4
9.	40462	Base Plate	1

**FIGURE 4**



5250R0

<b><u>ITEM</u></b>	<b><u>Part #</u></b>	<b><u>DESCRIPTION</u></b>	<b><u>QTY.</u></b>
	40553	1-1/2" DRAW-OFF VALVE ASSEMBLY	
1.	41809	Acorn Nut 10-24 UNC	1
2.	40662	Handle, Stainless Steel	1
3.	40560	Bonnet	1
4.	40559	Gland Nut	1
5.	40562	"O" Ring	1
6.	40561	Stem Assembly	1
7.	43246	Valve Body	1

<b><u>ITEM</u></b>	<b><u>Part #</u></b>	<b><u>DESCRIPTION</u></b>	<b><u>QTY.</u></b>
	40554	2" DRAW-OFF VALVE ASSEMBLY	
1.	41809	Acorn Nut 10-24 UNC	1
2.	40662	Handle, Stainless Steel	1
3.	40564	Bonnet	1
4.	40563	Gland Nut	1
5.	40566	"O" Ring	1
6.	40565	Stem Assembly	1
7.	42481	Valve Body	1

<b><u>ITEM</u></b>	<b><u>Part #</u></b>	<b><u>DESCRIPTION</u></b>	<b><u>QTY.</u></b>
	40556	3" DRAW-OFF VALVE ASSEMBLY	
1.	40567	Acorn Nut, 7/16 - 14 UNC	1
2.	40568	Handle, Stainless Steel	1
3.	40570	Bonnet	1
4.	40569	Gland Nut	1
5.	40572	"O" Ring	1
6.	40571	Stem Assembly	1
7.	43248	Valve Body	1