



**XR8-G
ROTATING RACK GAS CONVECTION OVEN
REPLACEMENT PARTS LIST**



EFFECTIVE OCTOBER 19, 2010

BLODGETT OVEN COMPANY, 44 Lakeside Avenue, Burlington, Vermont 05401 USA
Telephone: (802) 860-3700 (800) 331-5842 Fax: (802) 860-3732
www.blodgett.com

Superseding All Previous Parts Lists.
The Company reserves the right to make substitution in the event that items specified are not available.
ERRORS: Descriptive and/or typographic errors are subject to correction.

www.blodgett.com

SERIAL NUMBER LOCATION / KEY:

IMPORTANT: When ordering parts, please provide the model, gas type and serial number of the oven. The identification plate is located behind the control panel. To access, remove the two screws on the right side of the control panel. Pull the control panel toward the right side of the oven. Then pull away from the oven and rotate out.

SERIAL NUMBER IDENTIFICATION CODE:**DG = XR8-G GAS ROTATING RACK CONVECTION OVEN****SERIAL NUMBER EXAMPLES****071907DG027Z****07/19/07 = DATE****DG = LETTER CODE FOR XR8-G****001 = FACTORY SEQUENCE**

***PLEASE NOTE THAT THE SERIAL NUMBERS
ON THE XR8-G ARE ONLY 12 DIGITS LONG!!!***

TO OBTAIN LITERATURE:

Blodgett Literature Department

800-331-5842, x6157

Fax: 802-860-3755

Email: literature@blodgett.com

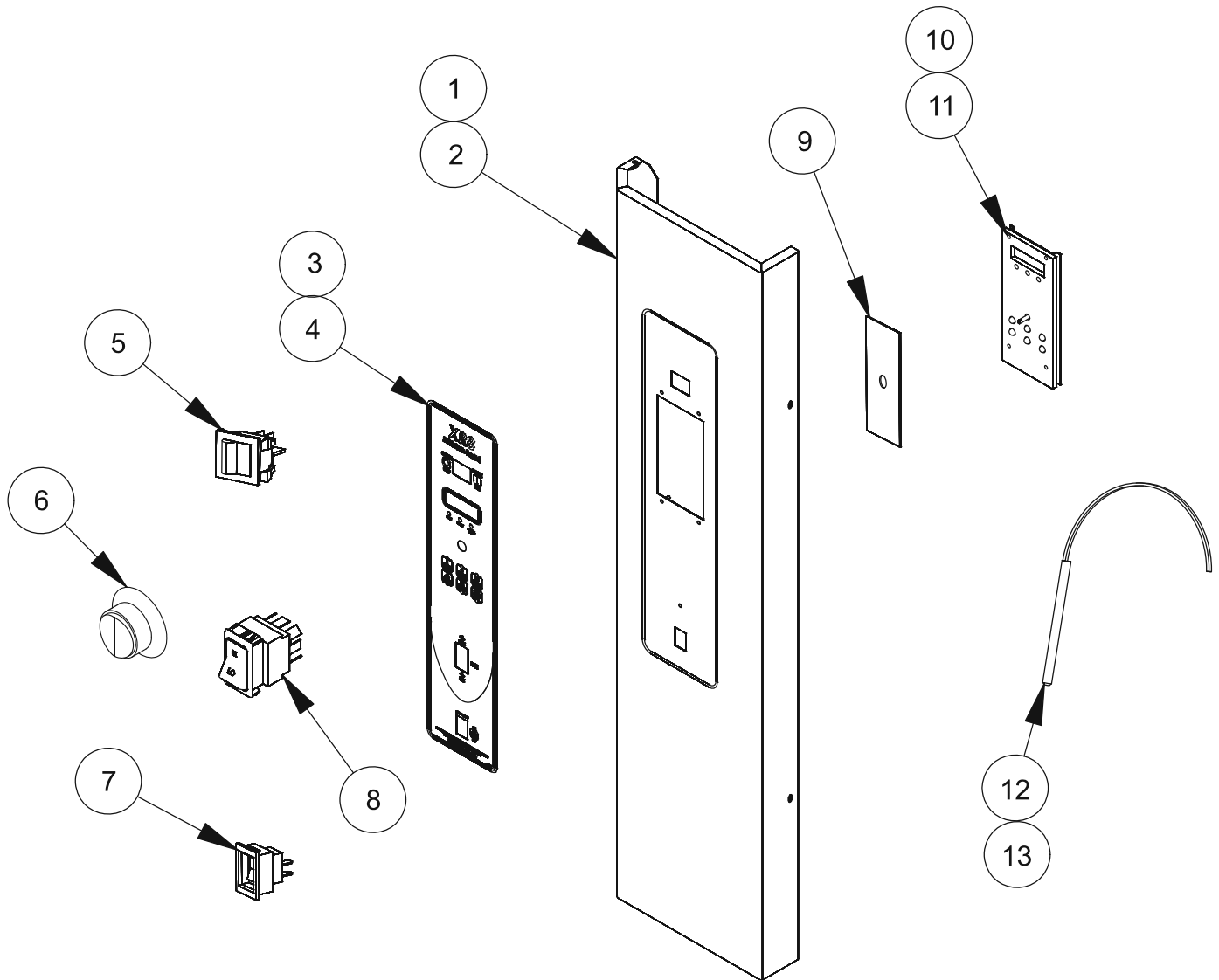
or

www.blodgett.com

TABLE OF CONTENTS

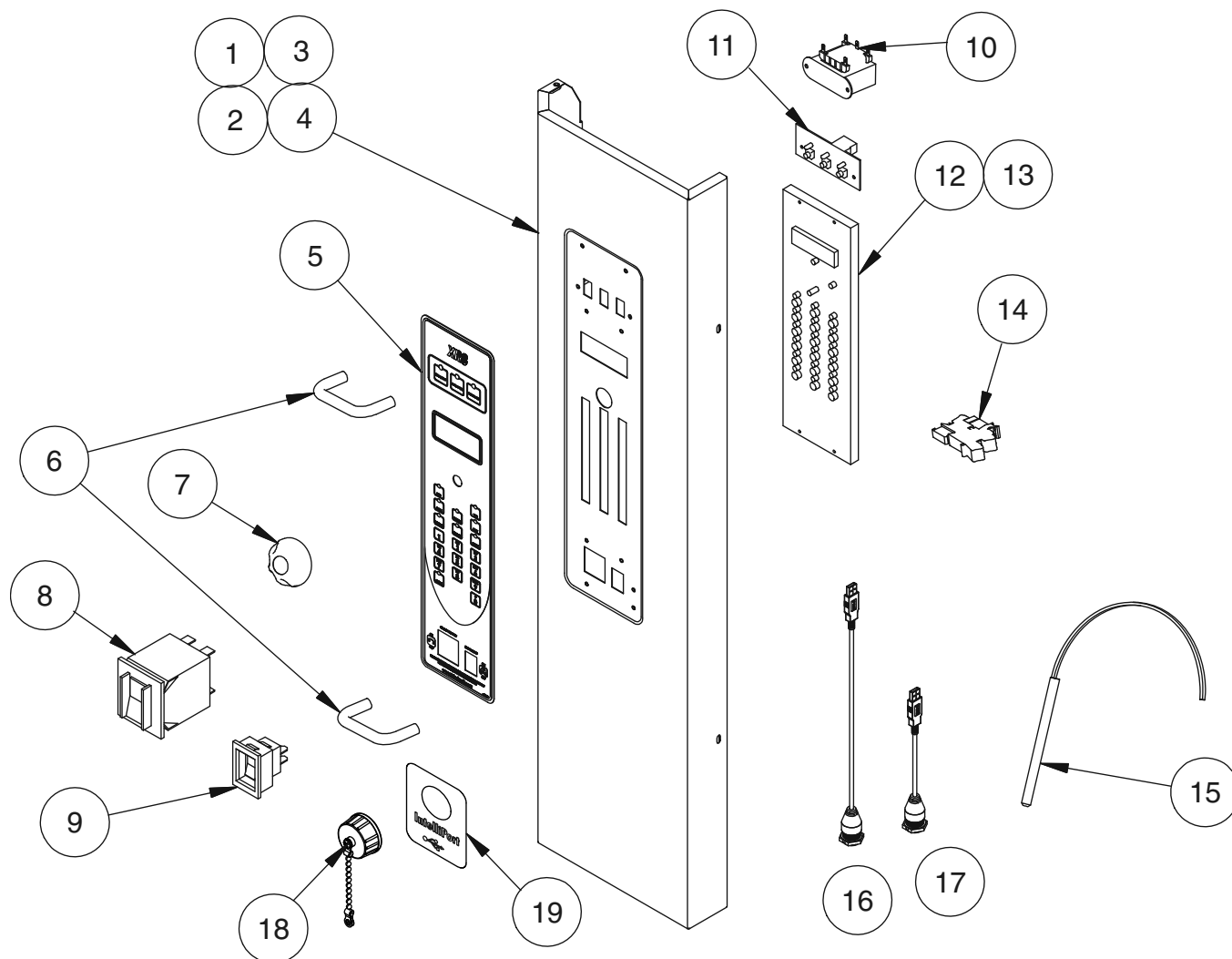
<i>SOLID STATE CONTROLS</i>	<i>PAGE 4</i>
<i>MENUSELECT CONTROLS</i>	<i>PAGE 5</i>
<i>ELECTRICAL COMPARTMENT</i>	<i>PAGE 6</i>
<i>HOT AIR SYSTEM</i>	<i>PAGE 7</i>
<i>GAS TRAIN COMPONENTS</i>	<i>PAGE 8</i>
<i>STEAM SYSTEM.....</i>	<i>PAGE 9</i>
<i>INTERIOR ITEMS</i>	<i>PAGE 10</i>
<i>DOOR COMPONENTS.....</i>	<i>PAGE 11</i>
<i>CAROUSEL DRIVE SYSTEM</i>	<i>PAGE 13</i>
<i>ACCESSORIES</i>	<i>PAGE 14</i>

SOLID STATE CONTROLS



Ref. No.	Part No.	Description
1	38483	Control panel, for ovens manufactured before 07-19-2007
2	50797	Control panel, for ovens manufactured after 07-19-2007
3	38482	Decal, single speed blower
4	51752	Decal, two speed blower
5	19619	Switch, power on/off
6	36617	Control knob
7	36376	Switch, gas on/off
8	20530	Switch, blower (2 speed only)
9	24725	Silicone spacer
10	50785	Control upgrade kit for ovens manufactured before 03-20-2007 (includes probe item #13)
11	38506	Control, solid state for ovens manufactured after 03-20-2007
12	50787	Probe, 100K or ovens manufactured before 03-20-2007
13	50786	Probe, 1K for ovens manufactured after 03-20-2007
	38607	Wiring harness, 1 speed
	51751	Wiring harness, 2 speed
	38618	Complete control panel assy, for ovens manufactured before 07-19-2007 (includes all items except probe)
	51976	Complete control panel assy, 1 speed for ovens manufactured after 07-19-2007 (includes all items except probe)
	50844	Complete control panel assy, 2 speed (includes all items except probe)

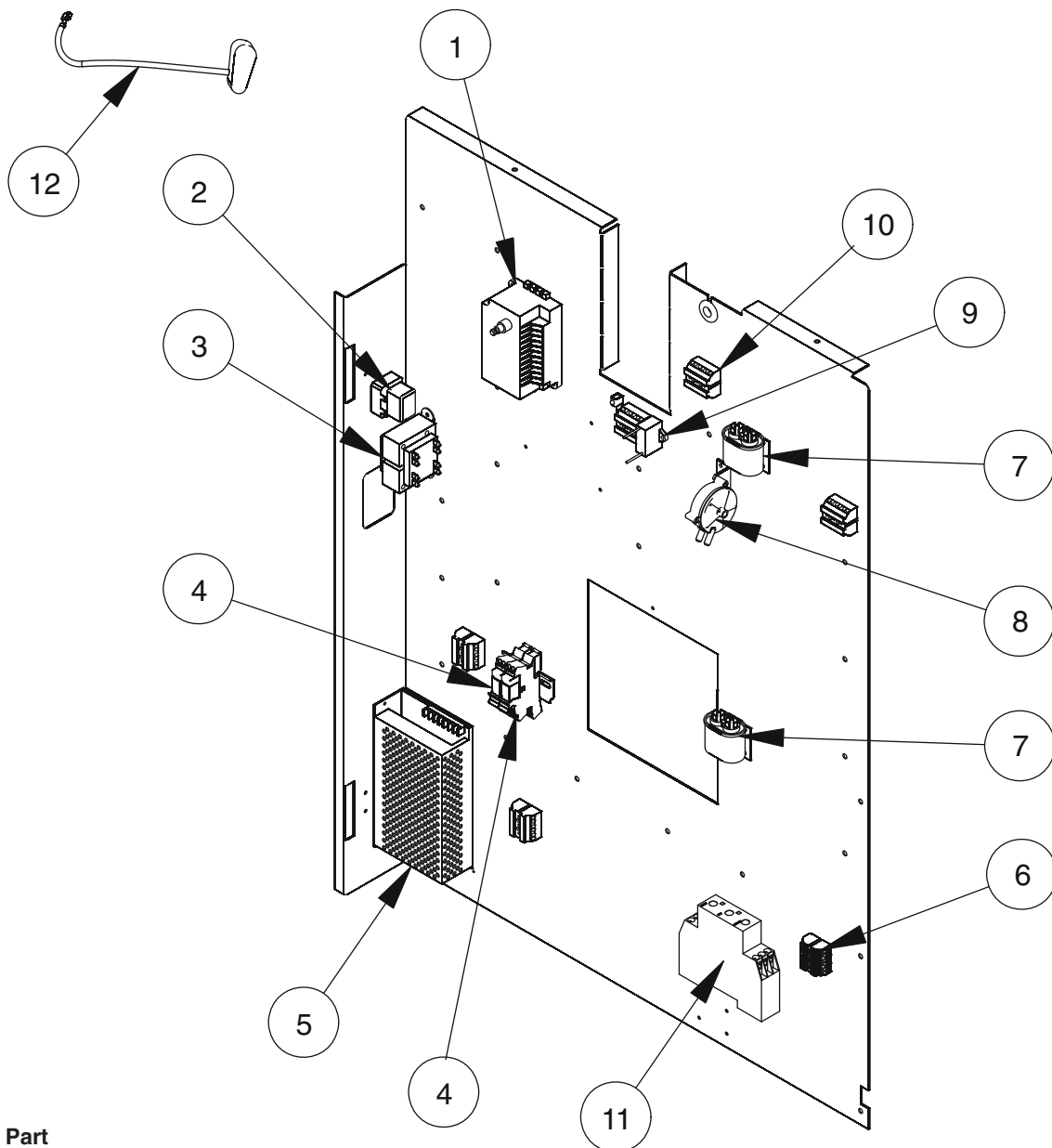
MENUSELECT™ CONTROLS



Ref. No.	Part No.	Description
1	38949	Control panel, for ovens manufactured before 07-19-2007
2	50536	Control panel, for ovens manufactured after 07-19-2007
3	52699	Control panel, complete for Dunkin Donuts
4	50665	Complete control panel assy
5	38693	Control decal
6	R4413	Handle
7	51372	Knob
	50986	Decal, "PRESS TO ENTER"
8	36429	Circuit breaker
9	36376	Switch, gas on/off
	20356	Transformer, 115/230 to 24V
11	39122	Board, 3 button
12	53382	Control, Menuselect™
13	52693	Control, VFD, Dunkin Donuts only (for ovens built after 1-08-10)
	53300	Control, VFD, Dunkin Donuts only (for ovens built before 1-08-10)
14	38604	Relay, 24 VDC DPDT (qty of 6 in oven)

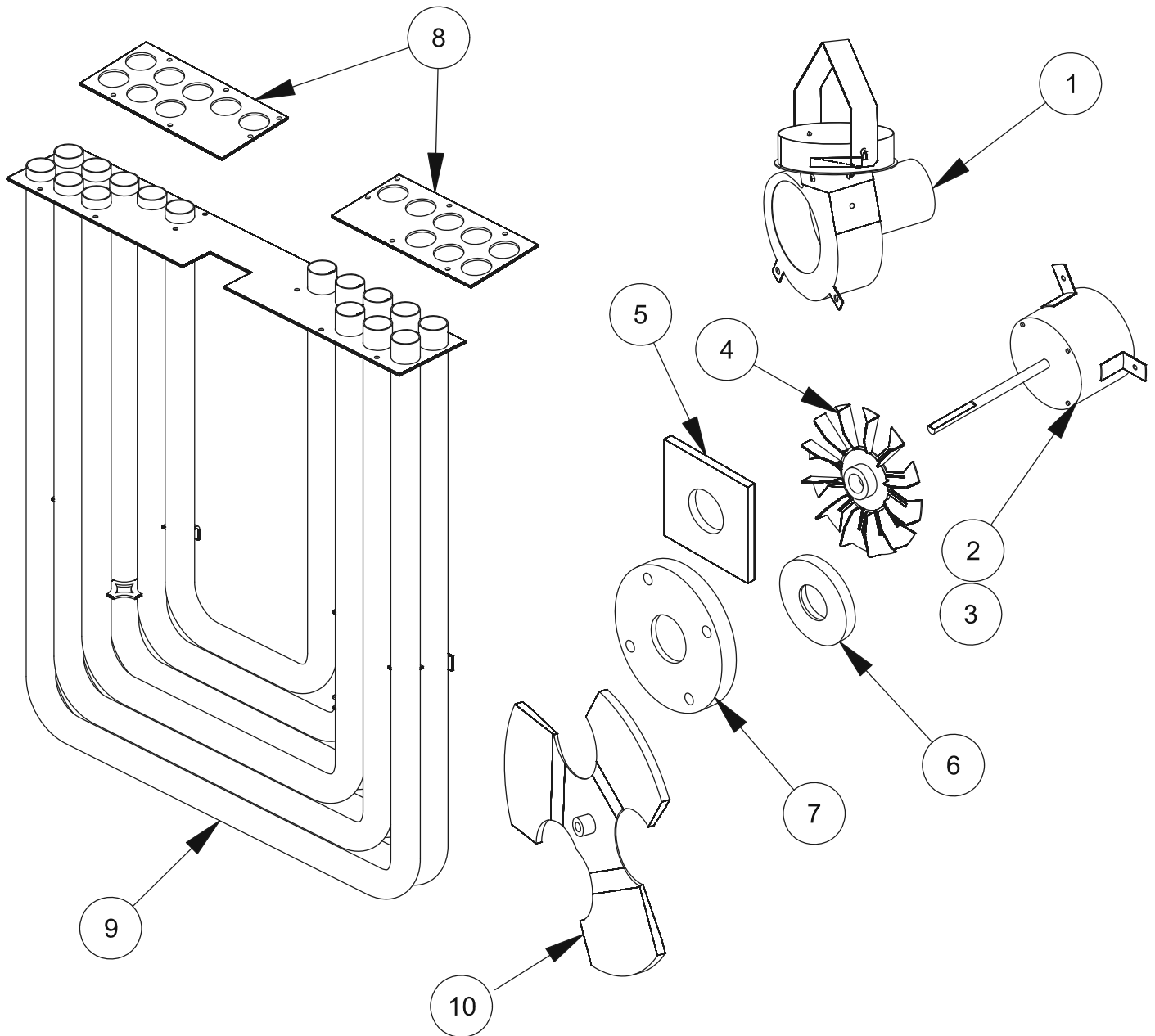
Ref. No.	Part No.	Description
15	50786	Probe, 1K
16	52647	USB cable, 36" (for ovens built after 1-08-10)
17	52160	USB cable, 18" (for ovens built before 1-08-10)
18	52161	Protective cap, USB
19	52269	Decal, USB
	39998	Thermistor, 5 ohm
	39529	Harness, high voltage
	39533	Harness, low voltage
	52926	Flash drive, USB, 2GB (2 gigabyte)

ELECTRICAL COMPARTMENT



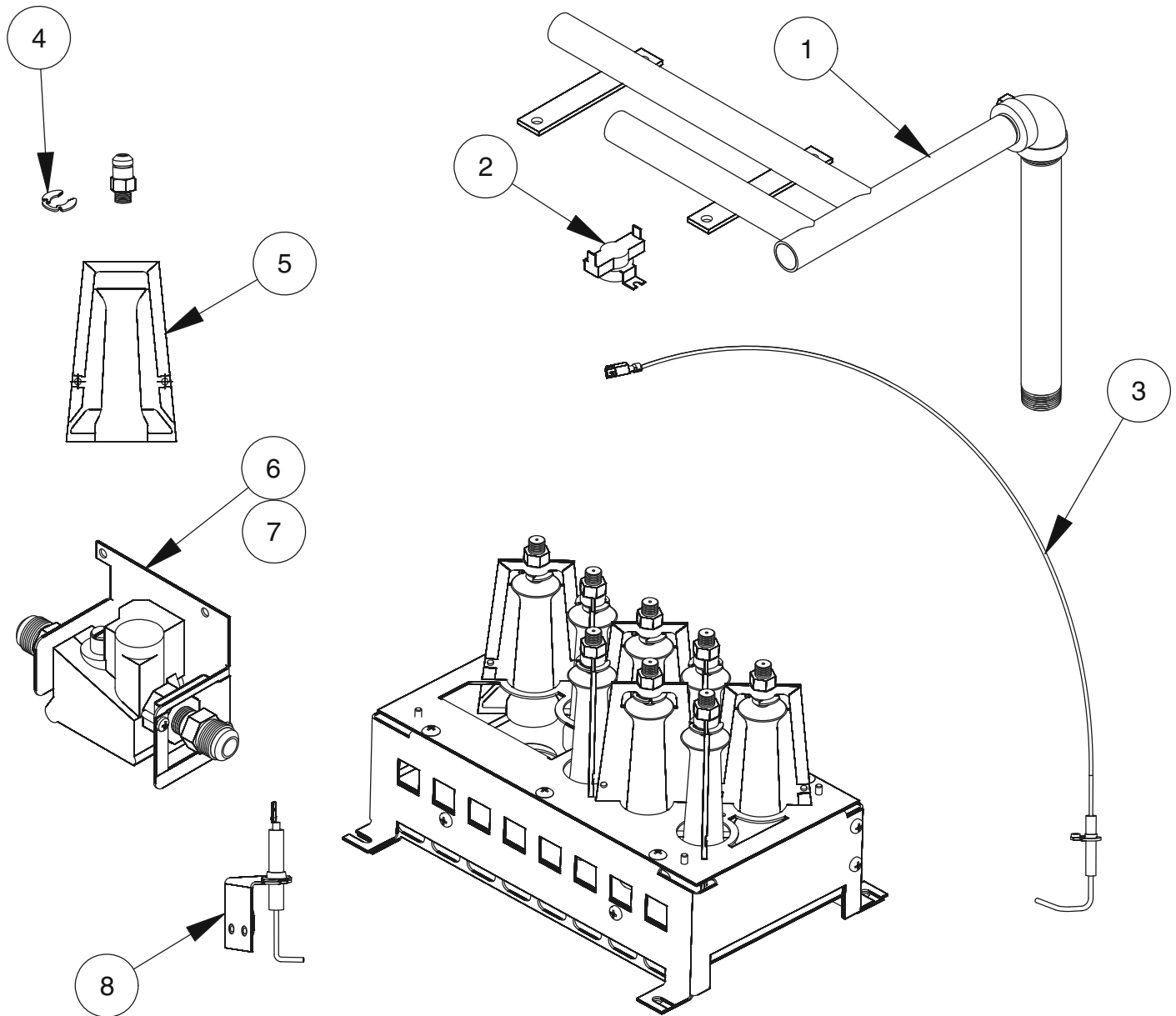
<u>Ref. No.</u>	<u>Part No.</u>	<u>Description</u>
1	36432	Control, ignition
2	36441	Thermostat, high limit
3	36700	Transformer, 115/230V-24V
4	38604	Relay, 24VDC DPDT
5	52946	Power supply, 24VDC
	M3166	Fuse, power supply
6	38605	Terminal block, incoming power
7	38610	Capacitor, electrolytic
8	M9422	Pressure switch
9	38609	Capacitor, rack motor
10	R11255	Terminal block, 3 pole (qty of 5 in oven)
11	39784	Relay, timing
12	36605	Spark wire
	52669	Wiring diagram, Menuselect
	52670	Schematic, Menuselect
	52673	Wiring diagram, SSD, 2 spd
	52672	Schematic, SSD, 2 spd

HOT AIR SYSTEM



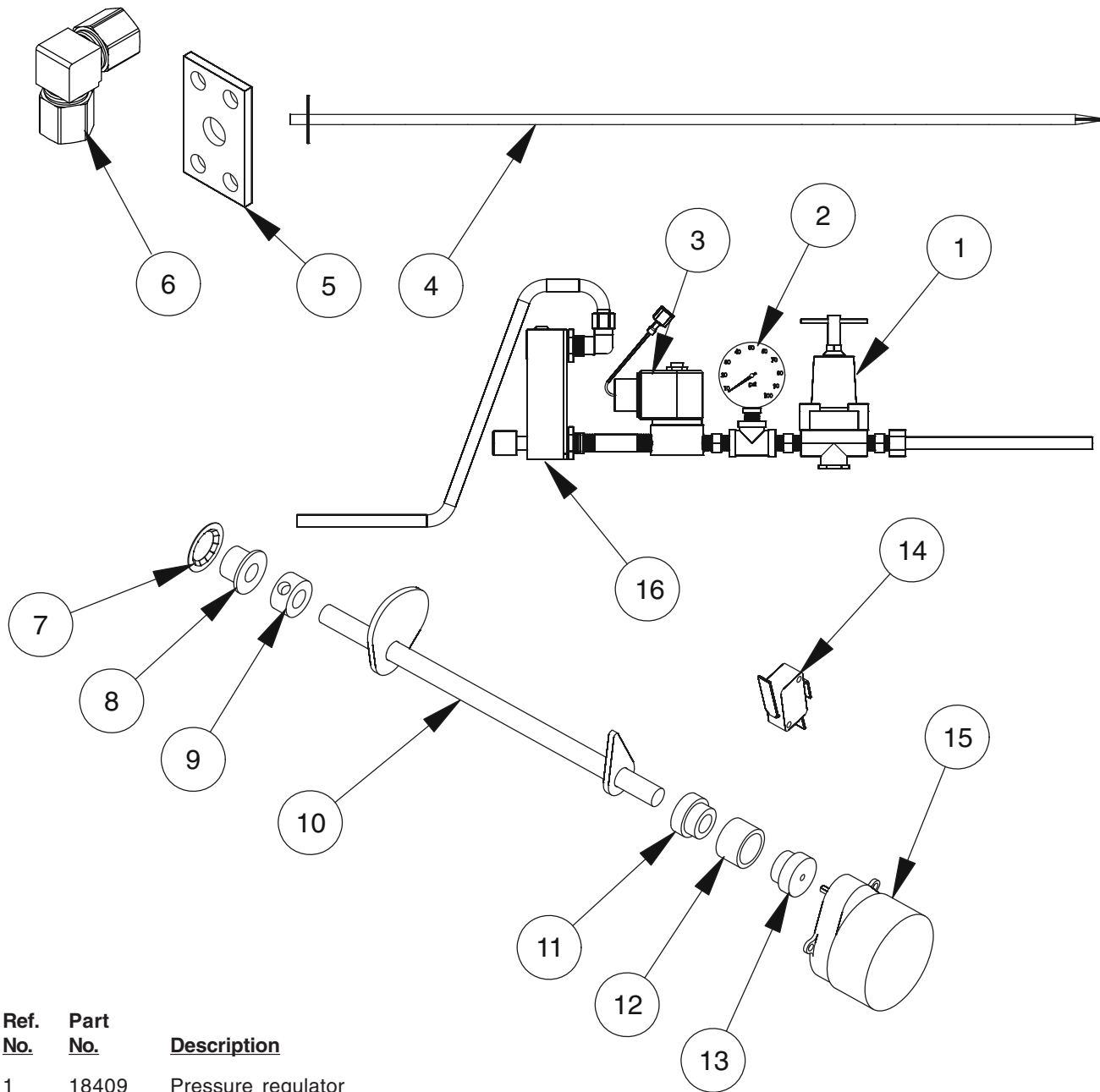
Ref. No.	Part No.	Description
1	38938	Draft inducer assembly
2	38354	Blower motor, single speed
3	50779	Blower motor, two speed
4	38595	Cooling fan
5	38593	Shaft seal, square
6	39640	Shaft seal, round
7	39641	Shaft seal retainer
8	38416	Gasket, heat exchanger
9	38348	Heat exchanger
10	38411	Fan blade

GAS TRAIN COMPONENTS



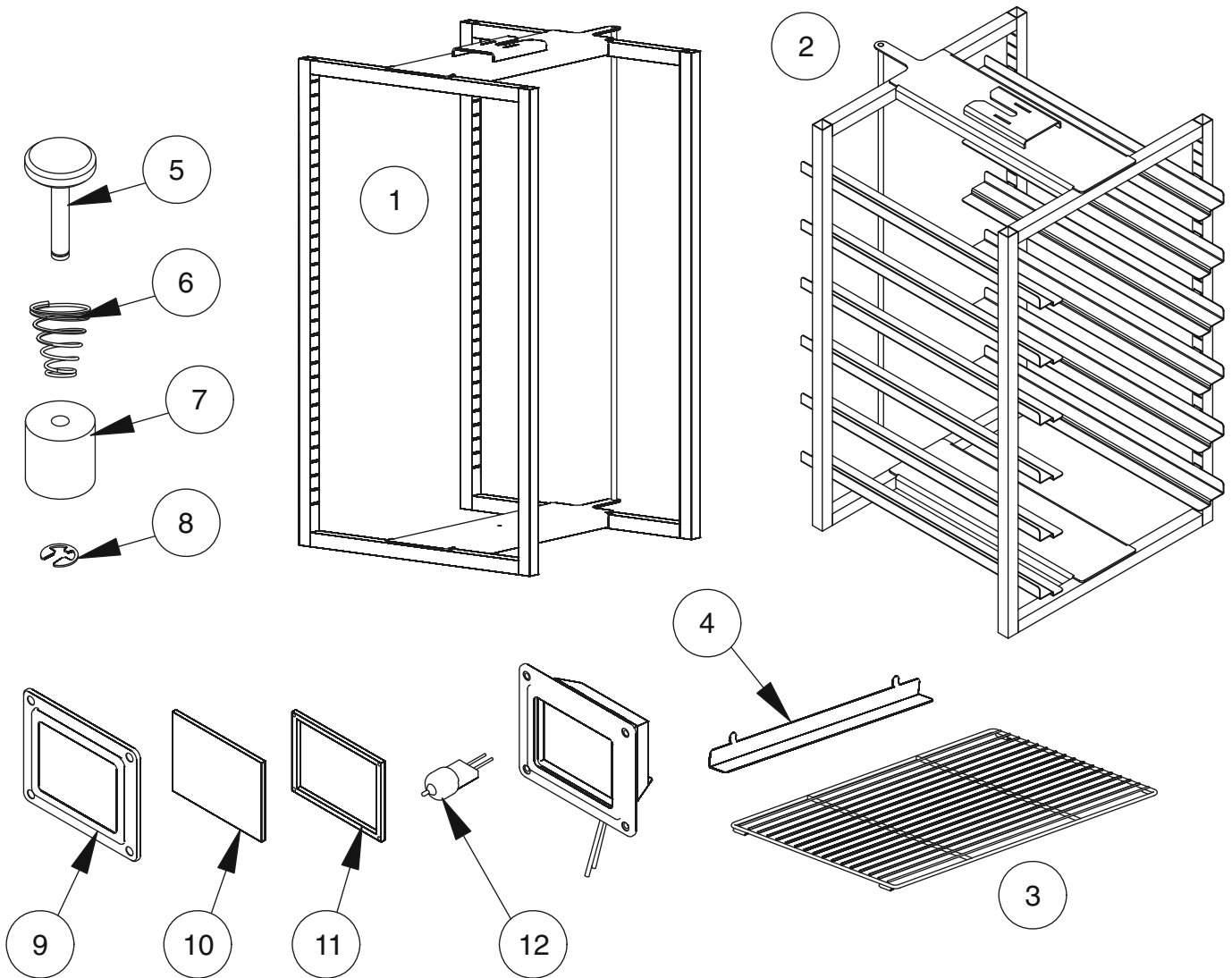
<u>Ref. No.</u>	<u>Part No.</u>	<u>Description</u>
1	38433	Manifold assembly
2	22724	High limit switch
3	39831	Electrode, flame sense
4	38964	Orifice retaining ring (set of 8)
5	38566	Burner, inshot (set of 8)
6	38742	Valve, natural gas
7	38743	Valve, LP gas
8	51633	Ignitor assembly
	38962	Burner assembly, natural gas (includes all items above except gas valve)
	38966	Burner assembly, LP gas (includes all items above except gas valve)
	36605	Spark wire

STEAM SYSTEM



Ref. No.	Part No.	Description
1	18409	Pressure regulator
2	18411	Pressure gauge
3	18300	Water valve
4	38382	Steam tube
5	38390	Steam tube gasket
6	R8986	Fitting, 90 degree
	52178	Kit, steam tube
7	38584	Bushing retainer
8	38585	Bushing
9	38575	Collar
10	38494	Vent rod assembly
11	38586	Coupling, 3/8 ID
12	38588	Sleeve
13	38587	Coupling, 1/8 ID
14	38576	Vent motor
15	37392	Micro switch
16	53423	Flowmeter kit (for ovens built before 2-28-10)
	53243	Flowmeter kit (for ovens built after 2-28-10)

INTERIOR ITEMS

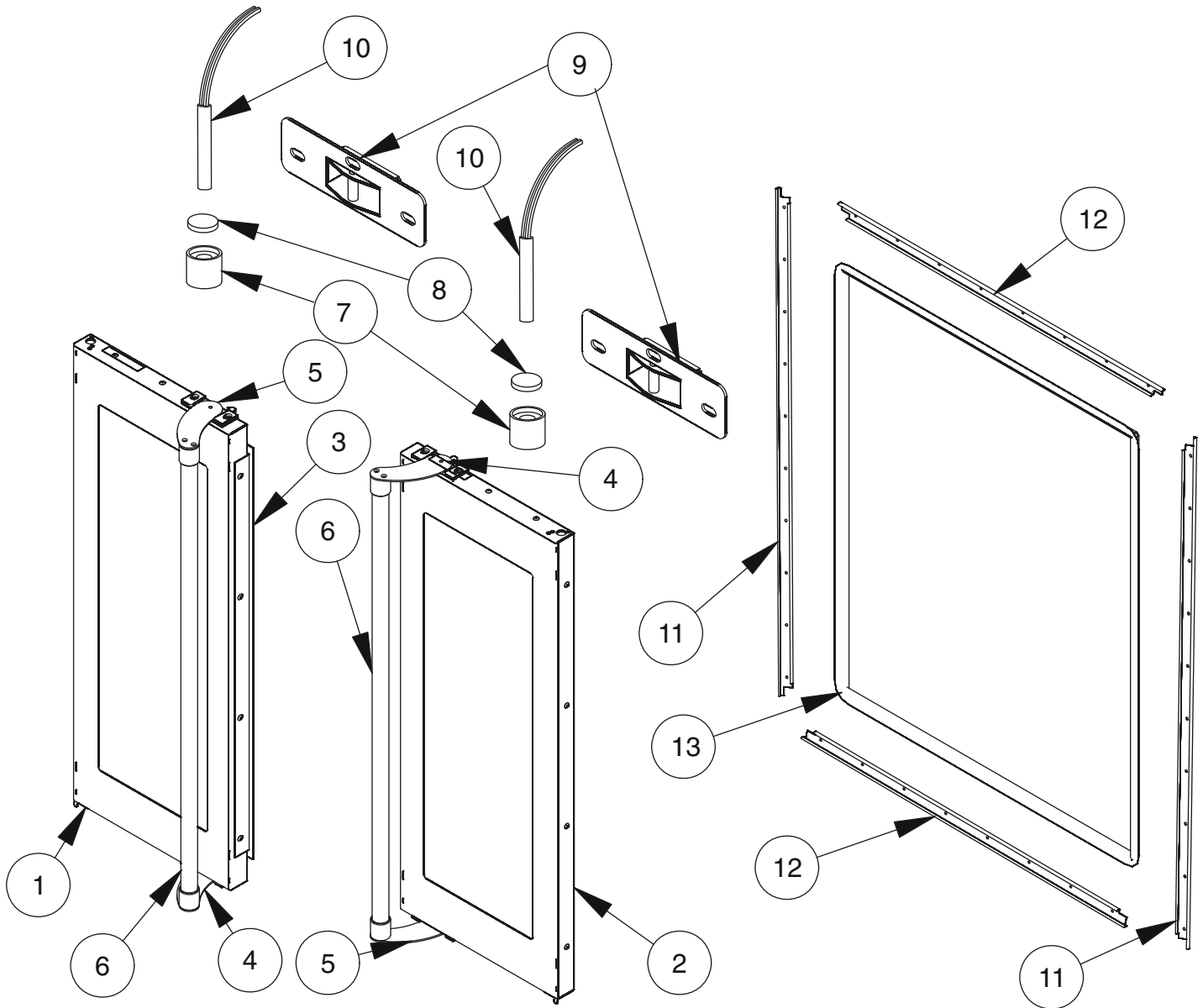


Ref. No.	Part No.	Description
1	38346	Carousel assembly
2	52601	Carousel assembly, Dunkin Donuts only
3	38905	Wire rack
4	38338	Pan support (1 of 16)
5	38312	Plunger
6	38367	Plunger spring
7	38310	Carousel bushing
8	38956	Retaining ring, plunger
9	D0125	Lamp bezel
10	50192	Lamp lens
11	D0127	Gasket, lamp bezel
12	D0128	Bulb, halogen

DOOR COMPONENTS

(For Ovens Built After 07-19-07.

These ovens will have the model code "DJ" within the serial number)



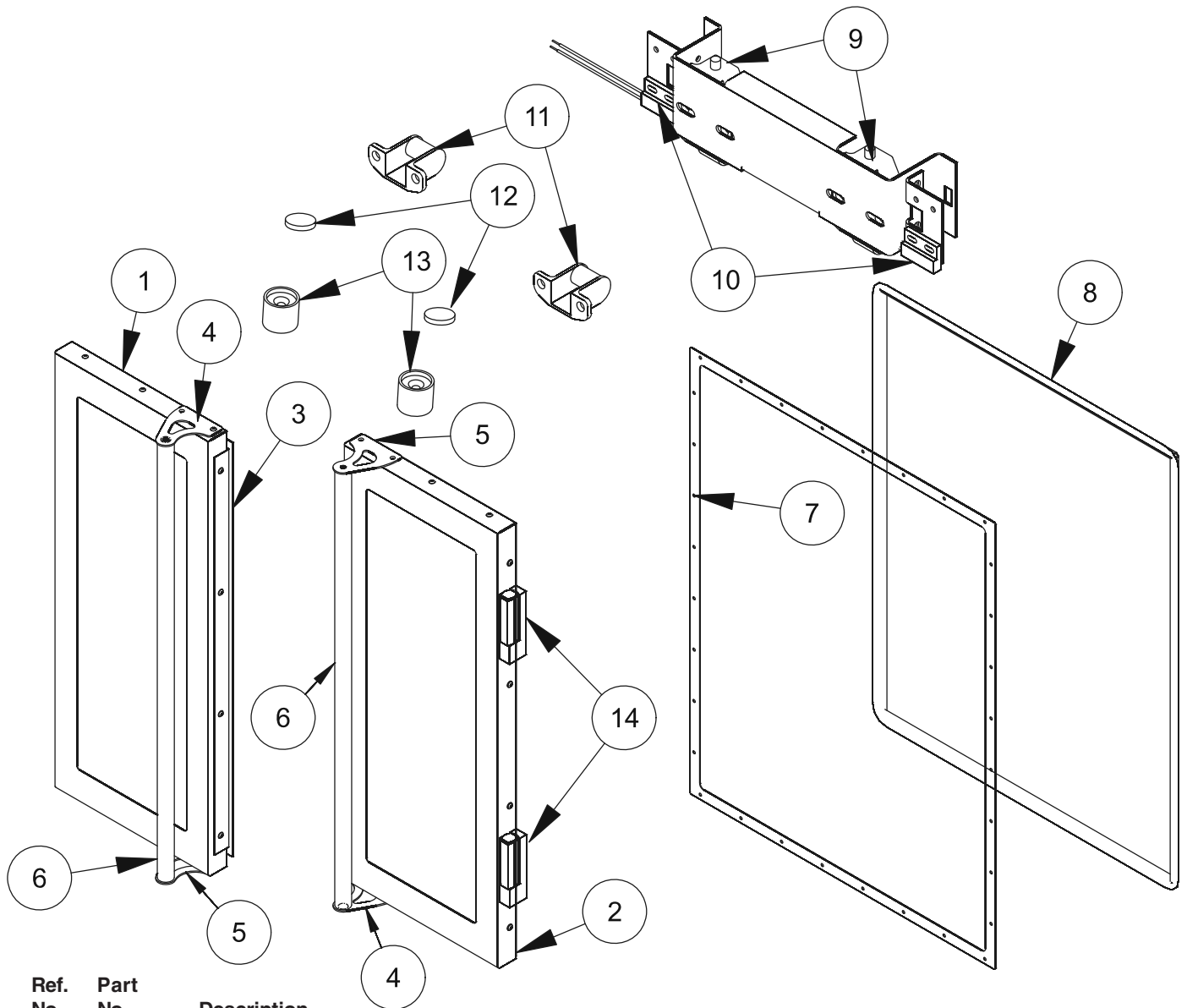
Ref. No.	Part No.	Description
1	◆ 50630	Door assembly, LH glass (comes with item #3 only)
2	◆ 50625	Door assembly, RH glass (comes with item #3 only)
3	38913	Center door gasket w/retainer
4	50227	Latch assembly, door
5	50228	Latch assembly, door
6	50241	Door handle
7	38791	Cup, magnet
8	38792	Magnet, door
9	50514	Door catch (top or bottom)
10	39744	Proximity switch, magnetic
11	50100	Gasket retainer, left / right
12	50099	Gasket retainer, top / bottom
13	50064	Door gasket
	50213	Handle end caps

◆ Doors Are Not Returnable

DOOR COMPONENTS

(For Ovens Built Before 07-19-07.

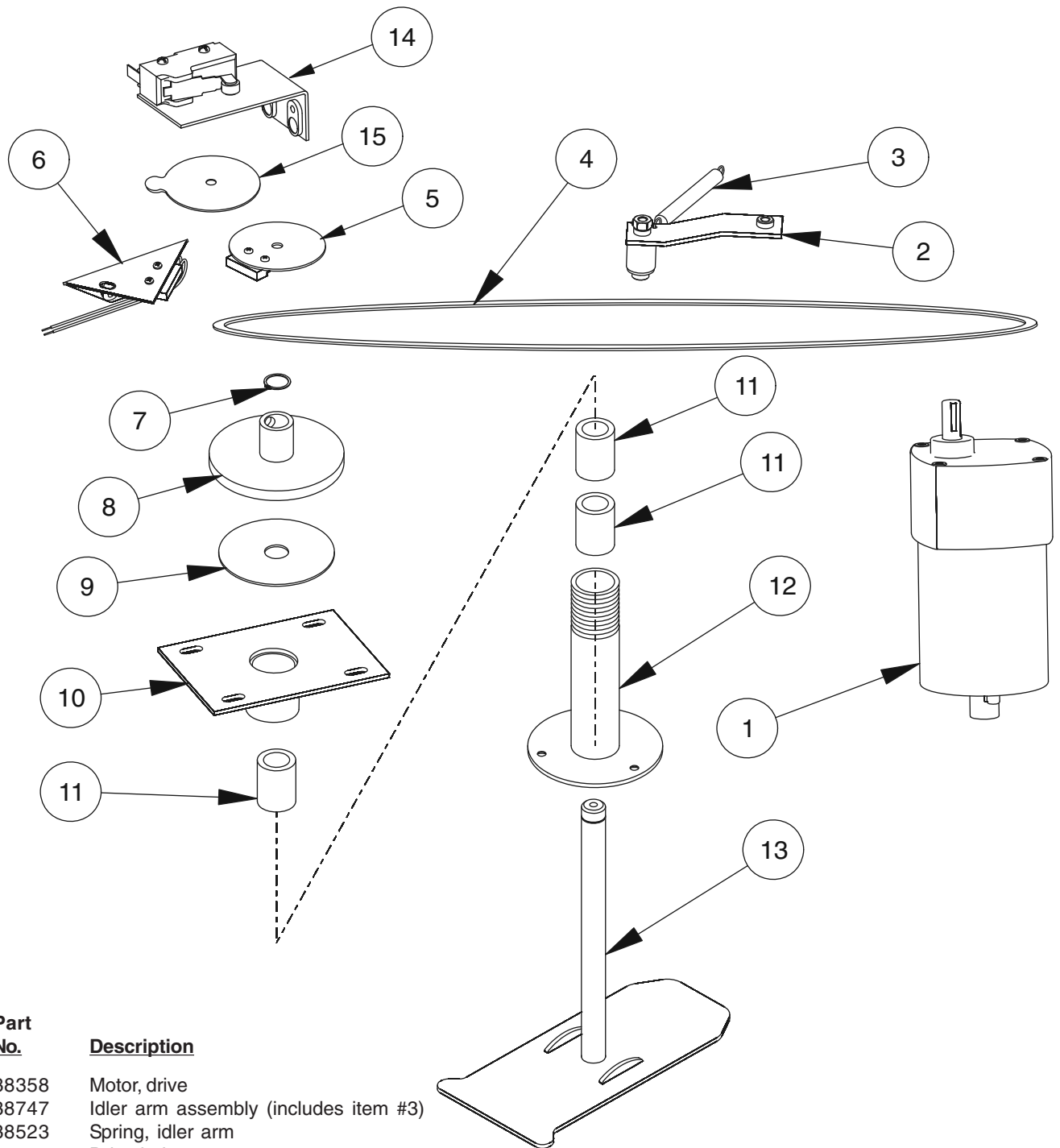
These ovens will have the model code "DF" within the serial number)



Ref. No.	Part No.	Description
1	◆ 38225	Door assembly, LH glass (comes with item #3 only)
2	◆ 38226	Door assembly, RH glass (comes with item #3 only)
3	38913	Center door gasket w/retainer
4	38473	Bracket, door handle
5	38835	Bracket, door handle
6	38833	Door handle
	38836	Door handle assembly (includes items #4, 5 and 6)
7	38355	Gasket retainer
8	38356	Oven gasket
9	38960	Latch body
10	38381	Sensor, magnetic
	38967	Latch assembly complete (includes items #9 and 10)
11	38961	Latch striker
12	38792	Magnet, door
13	38791	Cup, magnet
14	38918	Hinge, door (right or left)

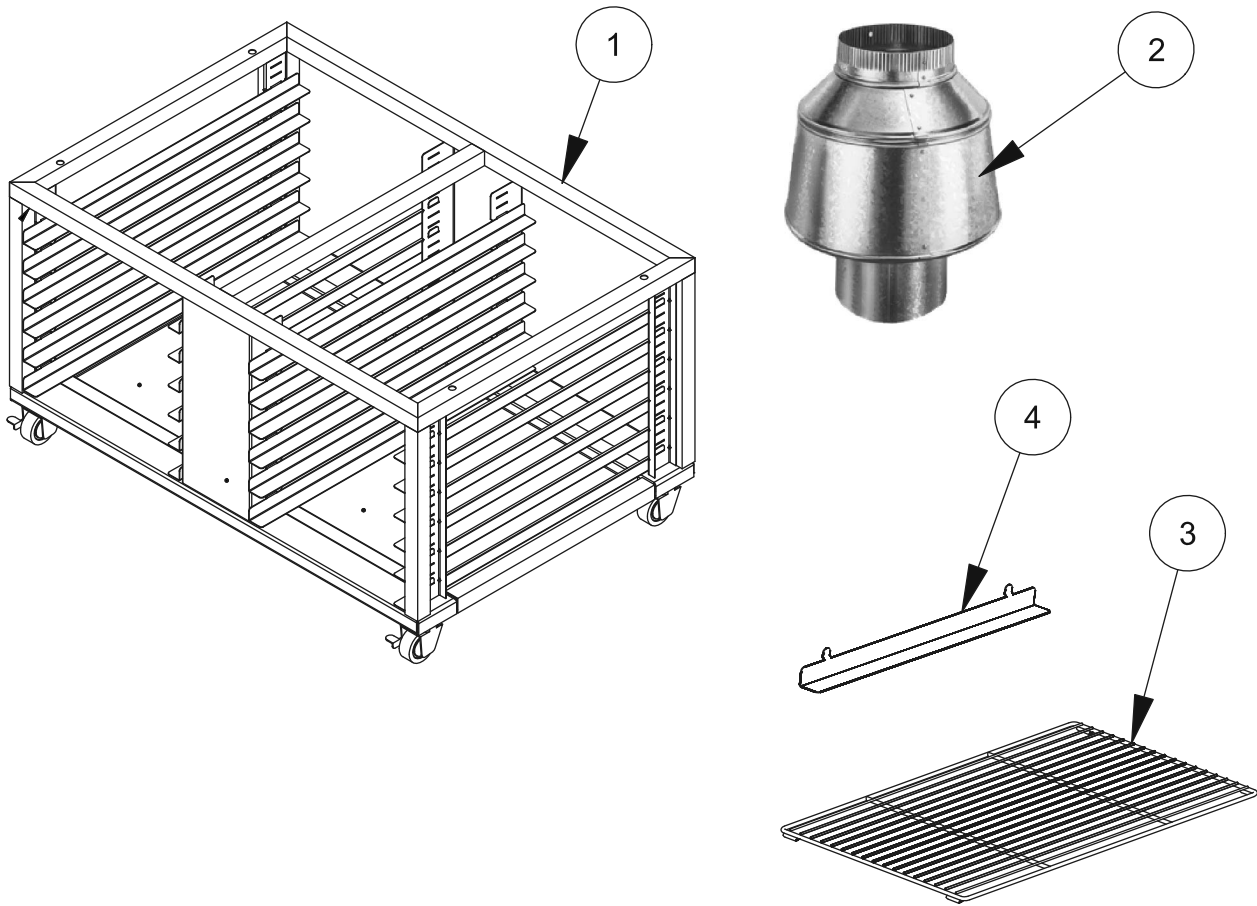
◆ Doors Are Not Returnable

CAROUSEL DRIVE SYSTEM



<u>Ref. No.</u>	<u>Part No.</u>	<u>Description</u>
1	38358	Motor, drive
2	38747	Idler arm assembly (includes item #3)
3	38523	Spring, idler arm
4	38410	Drive belt
5	38839	Indicator, rack position (ovens manufactured before 07-22-09)
6	38838	Sensor, rack position (ovens manufactured before 07-22-09)
7	38314	Retainer clip
8	38290	Load bearing
9	38295	Thrust bearing
10	38292	Top plate
11	38294	Bearing, sleeve
12	38362	Plate assembly, inside top
13	38347	Carousel support
14	52698	Microswitch assembly (ovens manufactured after 07-22-09)
15	52643	Cam, microswitch (ovens manufactured after 07-22-09)
	38296	Pulley

ACCESSORIES



Ref. No.	Part No.	Description
1	38978	Crated stand
2	38557	Direct vent draft hood
3	38905	Wire racks
4	38338	Pan slides
	21242	48" flex gas hose with quick disconnect and restraining device
	21826	36" flex gas hose with quick disconnect and restraining device
	53163	Caster shim kit