

PARTS LIST, ELECTRIC CONVECTION STEAMER, SC-7E & SC-10E



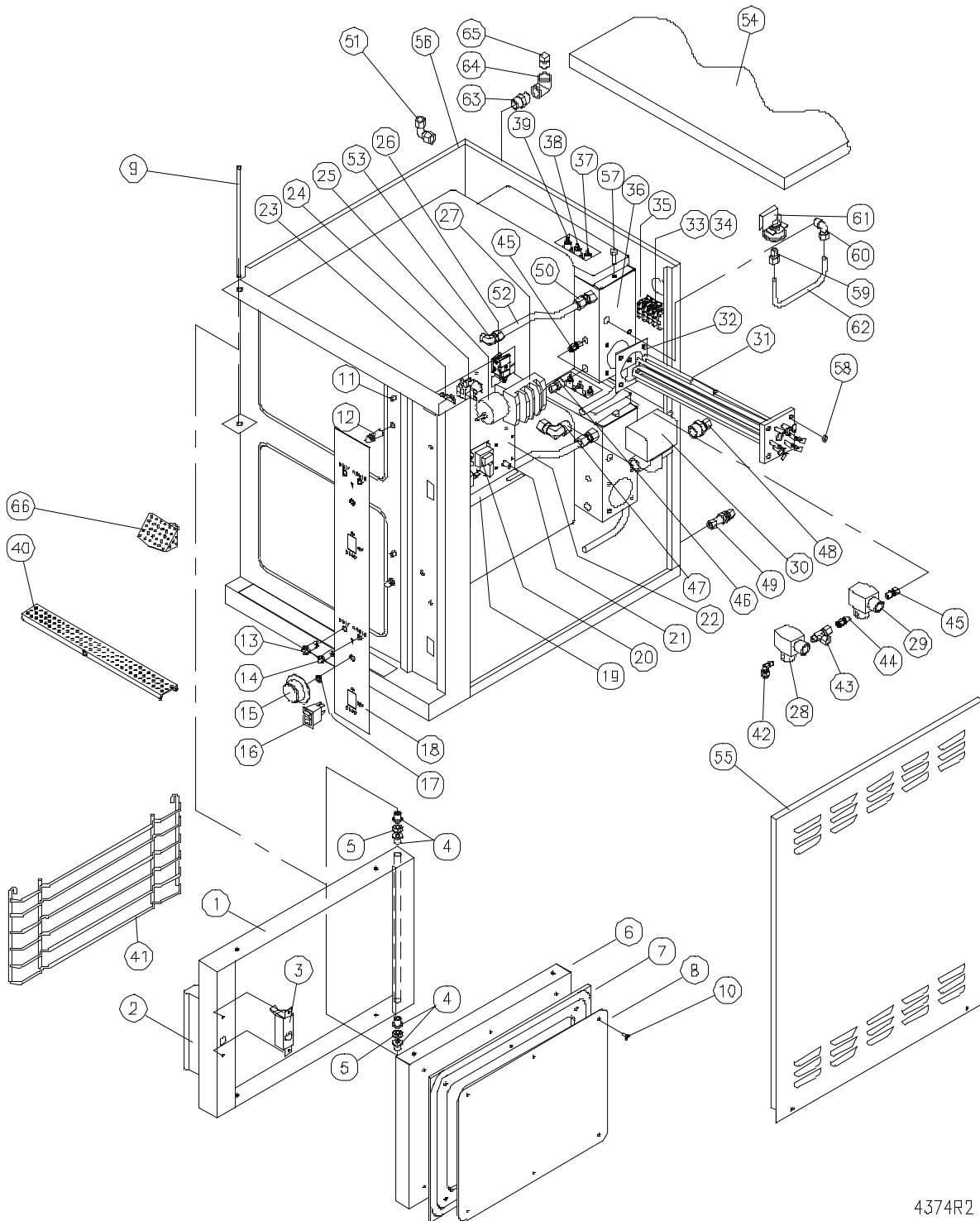
PARTS LIST
ELECTRIC CONVECTION STEAMER
BLODGETT MODELS: SC-7E
SC-10E



April 5, 2010

BLODGETT OVEN CO ▪ 44 lakeside Ave ▪ Burlington, VT 05446
Tel. 800-331-5842 ▪ Fax 802-860-3732 ▪ www.blodgett.com

FIGURE 1



PARTS LIST, ELECTRIC CONVECTION STEAMER, SC-7E & SC-10E

FIGURE 1

<u>ITEM</u>	<u>Part#</u>	<u>DESCRIPTION</u>	<u>SC-7</u>	<u>SC-10</u>	
*	1A	41691	Door Assembly (Top)	1	
		41689	Door Assembly (Lower)	1	
		41690	Door Assembly		2
	1	41650	Door Frame (Top)	1	
		41648	Door Frame (Lower)	1	
		41649	Door Frame		2
	2	41675	Door Handle Assembly	2	2
*		42258	Door Handle Decal	2	2
*		40648	Door Handle	2	2
*		40647	Door Handle Plate	2	2
*		40090	Socket Set Screw 1/4-20 x 1-3/4	2	2
*		40086	Socket Set Screw 1/4 - 20 x 3/4	1	1
*		40646	Spacer	2	2
*		40268	Lock Washer 1/4	2	2
*		40093	Hex Nut 1/4-20	2	2
	3	41679	Latch Assembly	2	2
	4	41699	Door Bushing	8	8
	5	43264	Spacer	4	4
	6	41672	Door Panel (Top)	1	
		41670	Door Panel (Lower)	1	
		41671	Door Panel		2
	7	43326	Door Gasket (Top)	1	
		41656	Door Gasket (Lower)	1	
		41657	Door Gasket		2
	8	41665	Gasket Plate (Top)	1	
		41663	Gasket Plate (Lower)	1	
		41664	Gasket Plate		2
	9	40543	Hinge Rod	1	
		40544	Hinge Rod		1
*		42322	Stainless Steel Washer	1	1

<u>ITEM</u>	<u>Part#</u>	<u>DESCRIPTION</u>	<u>SC-7</u>	<u>SC-10</u>	
	10	41875	Gasket Panel Screws	14	16
	11	42285	Actuator c/w Retaining Ring	2	2
*		42137	Door Switch	2	2
	12	41631	Striker	2	2
*		41632	Stainless Steel Washer	2	2
*		40112	Lock Washer	2	2
*		40114	Hex Nut	2	2
	13	40946	Pilot Light - Green	2	2
	14	40951	Pilot Light - Red	2	2
**	15	42456	Dial (60 Minutes, 50 Hz)	2	2
		42456	Dial (60 Minutes)	2	2
		42456	Dial (120 Minutes)	2	2
	16	41886	Power Switch	2	2
	17	41881	Rotary Shaft Seal	2	2
**	18	42568	Control Decal	1	
*		42570	Control Decal - Continuous Steam	1	
		42569	Control Decal		1
*		42571	Control Decal - Continuous Steam		1
	19	40244	Component Mounting Board	2	2
**	20	40625	Level Control, 10K OHM	2	2
		41064	Level Control, 1M OHM	4	4
	21	41887	Operating Thermostat	2	2
	22	41888	Safety Thermostat	2	2
	23	42094	Relay, Single Pole, 240V	2	2
	24	42092	Relay, Double Pole, 240V	2	2
**	25	40971	Timer (60 Minutes)	2	2
		40973	Timer (120 Minutes)	2	2
	26	40852	Buzzer, 240V	2	2
**	27	40892	Contactactor (208, 220, 240V)	2	2
		40943	Contactactor (380, 415, 480, 600V)	2	2

PARTS LIST, ELECTRIC CONVECTION STEAMER, SC-7E & SC-10E

<u>ITEM</u>	<u>Part#</u>	<u>DESCRIPTION</u>	<u>SC-7</u>	<u>SC-10</u>	
	28	41037	Cooling Solenoid, 240V	2	
		40307	Cooling Solenoid, 240V		2
		43562	Cooking solenoid, adjustable (optional)		2
	29	41037	Fill Solenoid, 240V	2	2
	30	40602	Drain Solenoid, 240V	2	2
**	31	41718	Element Assembly, 7.5 kW, 208V, (Top)	1	
		41719	Element Assembly, 7.5 kW, 220V, (Top)	1	
		41720	Element Assembly, 7.5 kW, 240V, (Top)	1	
		41721	Element Assembly, 7.5 kW, 480V, (Top)	1	
		43327	Element Assembly, 7.5 kW, 600V, (Top)	1	
		41636	Element Assembly, 10 kW, 208V, (Lower)	1	
		41642	Element Assembly, 10 kW, 220V, (Lower)	1	
		41637	Element Assembly, 10 kW, 240V, (Lower)	1	
		41638	Element Assembly, 10 kW, 480V, (Lower)	1	
**	31	41723	Element Assembly, 10 kW, 600V, (Lower)	1	
		41639	Element Assembly, 15 kW, 208V		2
		41640	Element Assembly, 15 kW, 220V		2
		41641	Element Assembly, 15 kW, 240V		2
		41643	Element Assembly, 15 kW, 480V		2
		41724	Element Assembly, 15 kW, 600V		2
	32	41703	Element Gasket	2	2
**	33	40734	Terminal Block Section	4	4
		40734	Terminal Block Section, 380, 415, 480, 600V	3	3
	34	40733	End Section	1	1
	35	40840	Ground Lug	1	1
	36	41297	Generator Tank	2	2

<u>ITEM</u>	<u>Part#</u>	<u>DESCRIPTION</u>	<u>SC-7</u>	<u>SC-10</u>	
*	40234	Tank Cover	2	2	
*	42138	Tank Gasket	2	2	
37	40469	Probe 5" (Low Level Cut Off)	2	2	
38	40468	Probe 4.25" (Low Level)	2	2	
39	40931	Probe 3.6875" (High Level)	2	2	
40	41633	Perforated Trough	1	1	
41	40199	Pan Rack (Upper)	2		
	40200	Pan Rack (Lower)	2		
	40201	Pan Rack		4	
*	40843	Rack Pin Assembly	8	8	
42	40441	Elbow 1/4C x 1/8 MPT	2	2	
43	40457	Tee 3/8C x 1/8 MPT	2	2	
44	40429	Connector 3/8C x 1/8 MPT	2	2	
45	40424	Connector 1/4C x 1/8 MPT	4	4	
46	40205	Thermostat Fitting 3/8C x 3/8 MPT	2	2	
47	40450	Elbow 1/2C x 3/4 MPT	2	2	
48	40435	Connector 1/2C x 3/4 MPT	2	2	
49	40475	Water Connection 3/8C	1	1	
50	40406	Union Coupling 1/2C	2	2	
51	40411	Elbow 1/2C	2	2	
**	52	41047	Right Hand Steam Tube ½" Diameter	2	2
		41748	Left Hand Steam Tube, ½" Diameter	2	2
	53	40447	Elbow 1/2C x 1/4 MPT	4	4
*		40369	Steam Diverter	4	4
	54	42390	Top	1	1
	55	41179	Side Panel, Right-hand	1	
		41180	Side Panel, Right-hand		1
	56	41177	Left Hand Side and Back Panel	1	
		41178	Left Hand Side and Back Panel		1
*		41856	Nut Cage 1/4-20	2	2

PARTS LIST, ELECTRIC CONVECTION STEAMER, SC-7E & SC-10E

<u>ITEM</u>	<u>Part#</u>	<u>DESCRIPTION</u>	<u>SC-7</u>	<u>SC-10</u>	
57	40097	Hex Bolt 5/16-18 x 1	4	4	
58	40093	Hex Nut 1/4-20	8	8	
59	43272	Connector 3/8C x 1/8 FPT	2	2	
60	40445	Elbow 3/8C x 3/8 MPT	2	2	
61	41102	Pressure Switch, 5 PSI	2	2	
62	41114	Copper Tube 3/8"	2	2	
63	43269	Brass Nipple 1/2-14	2	2	
64	43270	Brass Elbow 1/2-14	2	2	
65	43271	Brass Plug, 1/2-14	2	2	
66	41059	Compartment Strainer	2	2	
* **	67	41864	Switch - Continuous Steam	2	2
* **	68	41766	Fuse 1A, 600V (380, 415, 480, 600V)	4	4
		41860	Fuse 2A, 250V (208, 220, 240V)	4	4
		41860	Fuse 2A, 250V (380/220, 415/240V)	2	2
* **	69	41844	Fuse Holder (208, 220, 240V)	4	4
		41844	Fuse Holder (380/220, 415/240)	2	2
		41769	Fuse Holder (380, 425, 480, 600V)	4	4
* **	70	40980	Transformer 480 - 240V, 60 Hz, 100 VA	2	2
		40974	Transformer 380/415 -240V, 100 VA	2	2
		40985	Transformer 600 - 240V, 60 Hz, 100 VA	2	2
*	71	41143	Wiring Harness	1	1
*	72	41164	Cabinet Assembly (EC Models Only)	1	1
		41355	Cabinet Door	1	1
		41140	Magnetic Catch	1	1
		41211	Pan Guide, Right Hand	1	1
		42857	Pan Guide, Left Hand	1	1

* NOT SHOWN.

** SELECT AS REQUIRED.