



**XR8 SERIES  
GAS & ELECTRIC ROTATING RACK CONVECTION OVENS  
REPLACEMENT PARTS LIST**



**EFFECTIVE JANUARY 6, 2012**

Superseding All Previous Parts Lists.

The Company reserves the right to make substitution in the event that items specified are not available.

ERRORS: Descriptive and/or typographic errors are subject to correction.

---

**BLODGETT OVEN COMPANY**

44 Lakeside Avenue, Burlington, Vermont 05401 USA Telephone: (802) 658-6600 Fax: (802) 860-3732  
[www.blodgett.com](http://www.blodgett.com)

P/N 54780

## **SERIAL NUMBER LOCATION / KEY:**

*IMPORTANT: When ordering parts, please provide the model, gas type and serial number of the oven. The identification plate is located behind the control panel. To access, remove the two screws on the right side of the control panel. Pull the control panel toward the right side of the oven. Then pull away from the oven and rotate out.*

## **SERIAL NUMBER IDENTIFICATION CODE:**

**DG = XR8-G GAS ROTATING RACK CONVECTION OVEN**

**DL - XR8-E ELECTRIC ROTATING RACK CONVECTION OVEN**

## **SERIAL NUMBER EXAMPLES**

**071907DG027Z**

**07/19/07 = DATE**

**DG = LETTER CODE FOR XR8-G**

**001 = FACTORY SEQUENCE**

PLEASE NOTE THAT THE SERIAL NUMBERS

ON THE XR8 ARE ONLY 12 DIGITS LONG!!!

## **TO OBTAIN LITERATURE:**

Email: [literature@blodgett.com](mailto:literature@blodgett.com)

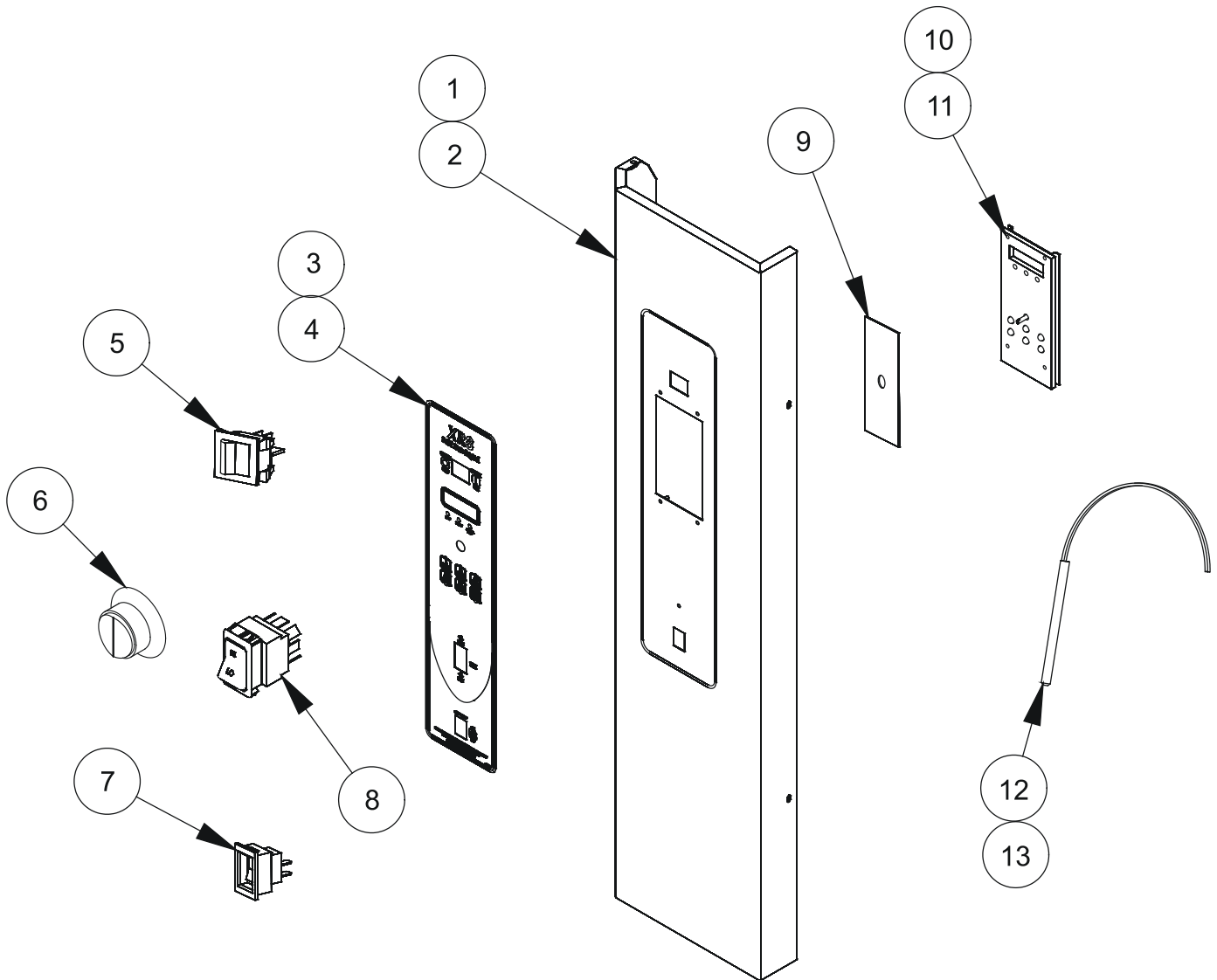
or visit

[www.blodgett.com](http://www.blodgett.com)

# TABLE OF CONTENTS

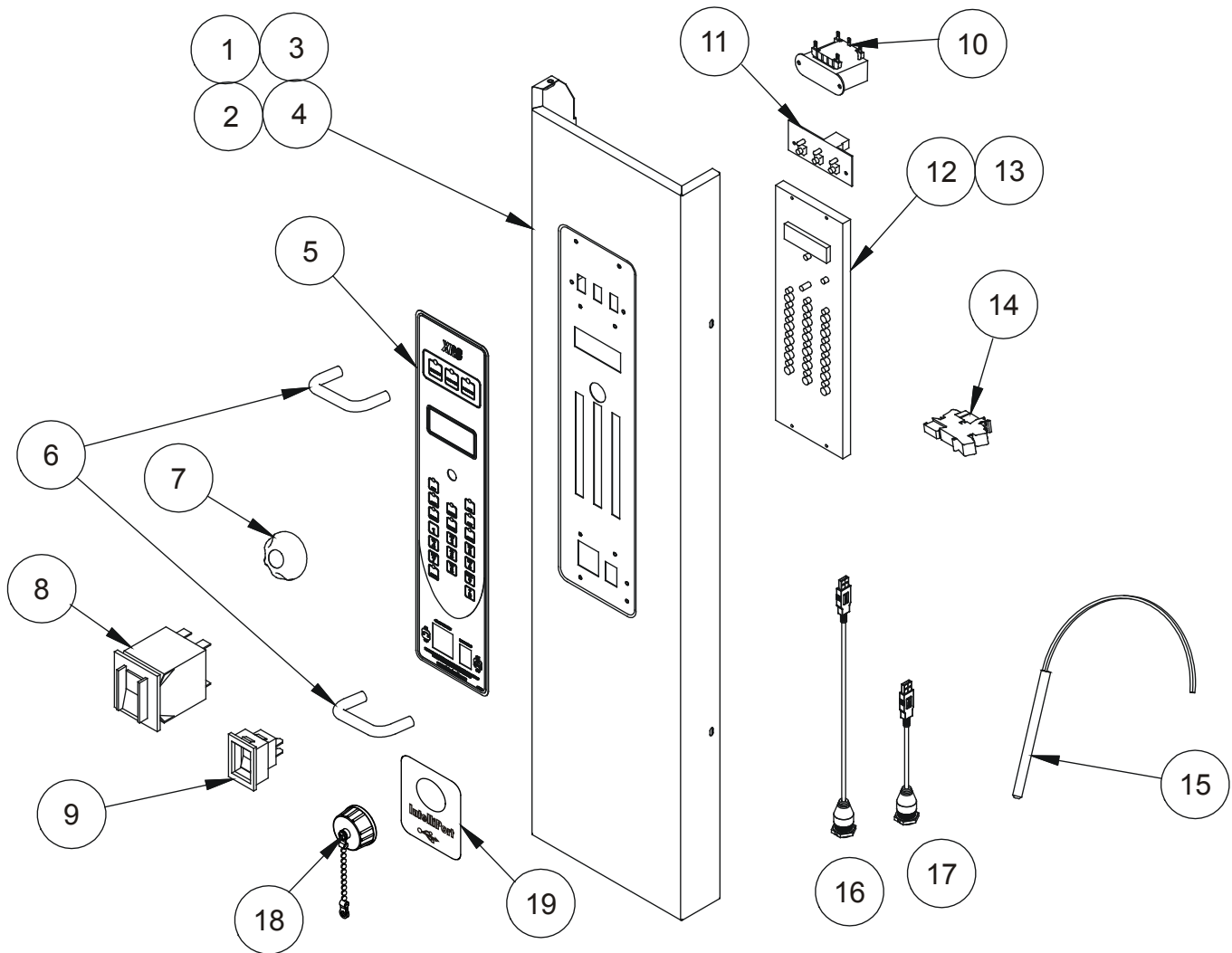
|                              |         |
|------------------------------|---------|
| SOLID STATE CONTROLS .....   | PAGE 4  |
| MENUSELECT CONTROLS .....    | PAGE 5  |
| ELECTRICAL COMPARTMENT ..... | PAGE 6  |
| HOT AIR SYSTEM .....         | PAGE 7  |
| GAS TRAIN COMPONENTS .....   | PAGE 8  |
| STEAM SYSTEM .....           | PAGE 9  |
| INTERIOR ITEMS .....         | PAGE 10 |
| DOOR COMPONENTS.....         | PAGE 11 |
| CAROUSEL DRIVE SYSTEM .....  | PAGE 13 |
| ACCESSORIES.....             | PAGE 14 |

# SOLID STATE CONTROLS



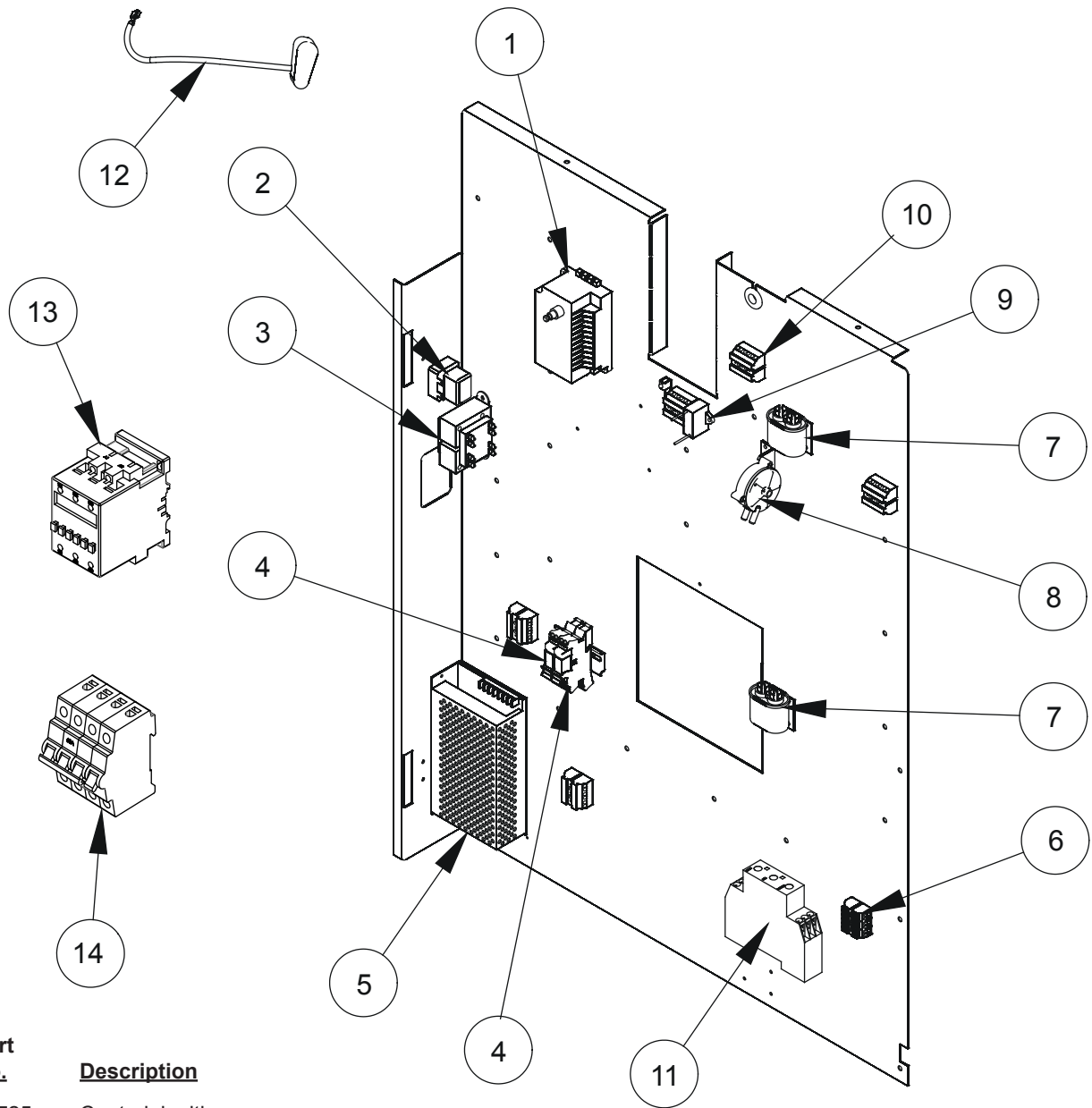
| <u>Ref. No.</u> | <u>Part No.</u> | <u>Description</u>   |
|-----------------|-----------------|--|
| 1               | 38483           | Control panel, for ovens manufactured before 07-19-2007  |
| 2               | 50797           | Control panel, for ovens manufactured after 07-19-2007   |
| 3               | 38482           | Decal, single speed blower   |
| 4               | 51752           | Decal, two speed blower  |
| 5               | 19619           | Switch, power on/off   |
| 6               | 36617           | Control knob   |
| 7               | 36376           | Switch, gas on/off   |
| 8               | 20530           | Switch, blower (2 speed only)  |
| 9               | 24725           | Silicone spacer  |
| 10              | 50785           | Control upgrade kit for ovens manufactured before 03-20-2007 (includes probe item #13)                         |
| 11              | 38506           | Control, solid state for ovens manufactured after 03-20-2007   |
| 12              | 50787           | Probe, 100K or ovens manufactured before 03-20-2007  |
| 13              | 50786           | Probe, 1K for ovens manufactured after 03-20-2007  |
|                 | 38607           | Wiring harness, 1 speed  |
|                 | 51751           | Wiring harness, 2 speed  |
|                 | 51976           | Complete control panel assy, 1 speed for ovens manufactured after 07-19-2007 (includes all items except probe) |
|                 | 50844           | Complete control panel assy, 2 speed (includes all items except probe)   |

# MENUSELECT™ CONTROLS



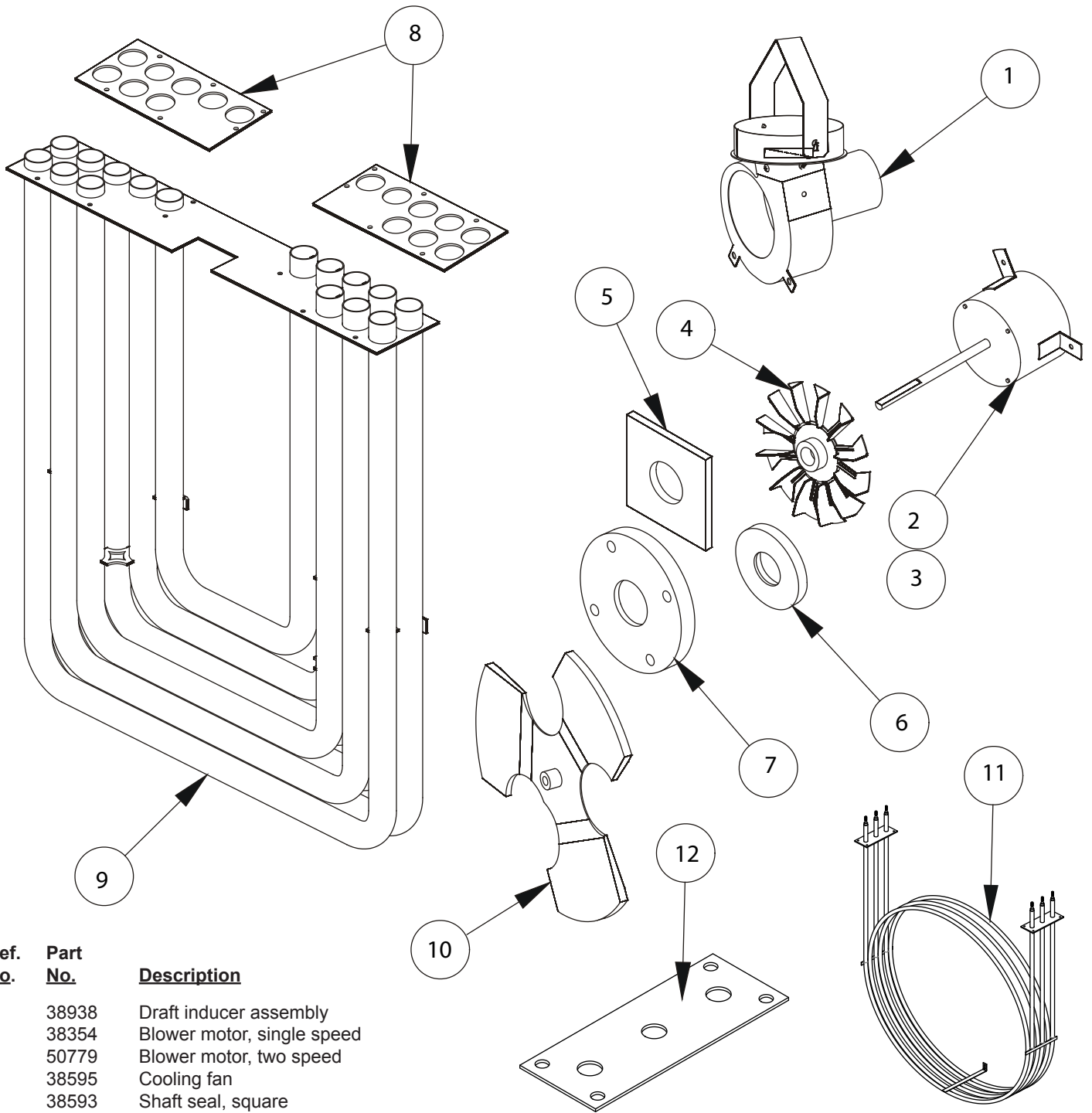
| Ref. No. | Part No. | Description  | Ref. No. | Part No. | Description  |
|----------|----------|--|----------|----------|--|
| 1        | 38949    | Control panel, for ovens manufactured before 07-19-2007              | 14       | 38604    | Relay, 24 VDC DPDT (qty of 6 in oven)              |
| 2        | 50536    | Control panel, for ovens manufactured after 07-19-2007               | 15       | 50786    | Probe, 1K  |
| 3        | 52699    | Control panel, complete for Dunkin Donuts                            | 16       | 52647    | USB cable, 36"<br>(for ovens built after 1-08-10)  |
| 4        | 50665    | Complete control panel assy  | 17       | 52160    | USB cable, 18"<br>(for ovens built before 1-08-10) |
| 5        | 38693    | Control decal  | 18       | 52161    | Protective cap, USB                                |
| 6        | R4413    | Handle   | 19       | 52269    | Decal, USB   |
| 7        | 51372    | Knob   |          | 39998    | Thermistor, 5 ohm                                  |
|          | 50986    | Decal, "PRESS TO ENTER"  |          | 39529    | Harness, high voltage                              |
| 8        | 36429    | Circuit breaker  |          | 39533    | Harness, low voltage                               |
| 9        | 36376    | Switch, gas on/off   |          | 52926    | Flash drive, USB, 2GB (2 gigabyte)                 |
| 10       | 20356    | Transformer, 115/230 to 24V  |          |          |  |
| 11       | 39122    | Board, 3 button  |          |          |  |
| 12       | 53382    | Control, Menuselect™   |          |          |  |
| 13       | 52693    | Control, VFD, Dunkin Donuts only<br>(for ovens built after 1-08-10)  |          |          |  |
|          | 53300    | Control, VFD, Dunkin Donuts only<br>(for ovens built before 1-08-10) |          |          |  |

# ELECTRICAL COMPARTMENT



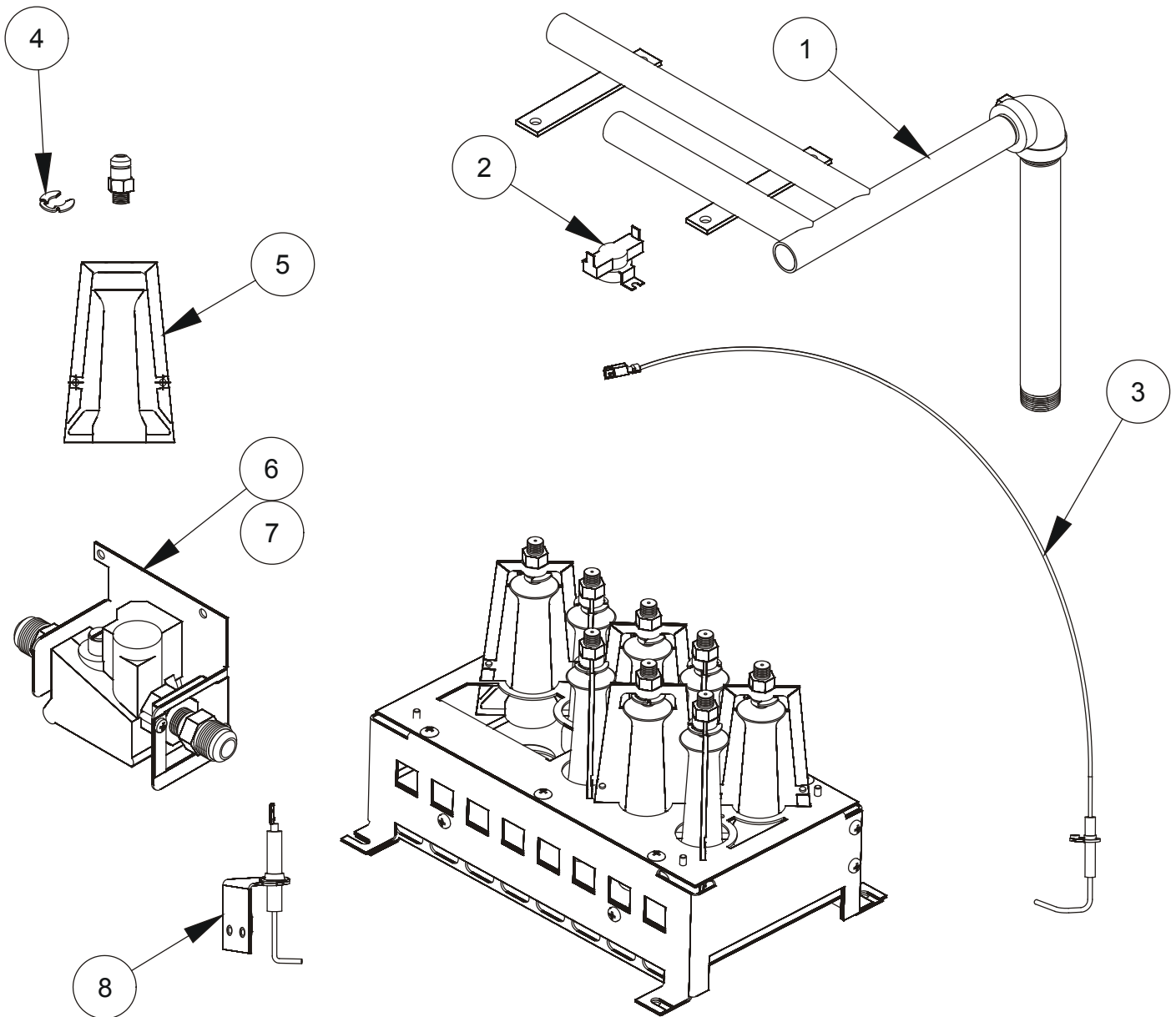
| <u>Ref. No.</u> | <u>Part No.</u> | <u>Description</u>                        |
|-----------------|-----------------|---|
| 1               | 54725           | Control, ignition                         |
| 2               | 36441           | Thermostat, high limit                    |
| 3               | 36700           | Transformer, 115/230V-24V                 |
| 4               | 38604           | Relay, 24VDC DPDT                         |
| 5               | 52946           | Power supply, 24VDC                       |
|                 | M3166           | Fuse, power supply                        |
| 6               | 38605           | Terminal block, incoming power            |
| 7               | 38610           | Capacitor, electrolytic                   |
| 8               | M9422           | Pressure switch                           |
| 9               | 38609           | Capacitor, rack motor                     |
| 10              | R11255          | Terminal block, 3 pole (qty of 5 in oven) |
| 11              | 39784           | Relay, timing                             |
| 12              | 36605           | Spark wire                                |
| 13              | 53472           | Contactor, 240V                           |
| 13              | 53473           | Contactor, 208V                           |
| 13              | 54153           | Contactor, 480V                           |
| 14              | 39804           | Circuit Breaker, 208V or 240V             |
| 14              | 39113           | Circuit Breaker, 480V                     |

# HOT AIR SYSTEM



| Ref. No. | Part No. | Description                               |
|----------|----------|---|
| 1        | 38938    | Draft inducer assembly                    |
| 2        | 38354    | Blower motor, single speed                |
| 3        | 50779    | Blower motor, two speed                   |
| 4        | 38595    | Cooling fan                               |
| 5        | 38593    | Shaft seal, square                        |
| 6        | 39640    | Shaft seal, round                         |
| 7        | 39641    | Shaft seal retainer                       |
| 8        | 38416    | Gasket, heat exchanger                    |
| 9        | 38348    | Heat exchanger                            |
| 10       | 38411    | Fan blade                                 |
| 11       | 53221    | Element, 208V 18 KW                       |
|          | 53222    | Element, 240V 18KW                        |
|          | 53564    | Element, 480V 18KW                        |
|          | 53545    | Element, 208V, 15KW (Dunkin Donuts only)  |
|          | 53375    | Element, 240V, 15 KW (Dunkin Donuts only) |
|          | 53563    | Element, 480V, 15 KW (Dunkin Donuts only) |
| 12       | 53327    | Element Gasket                            |

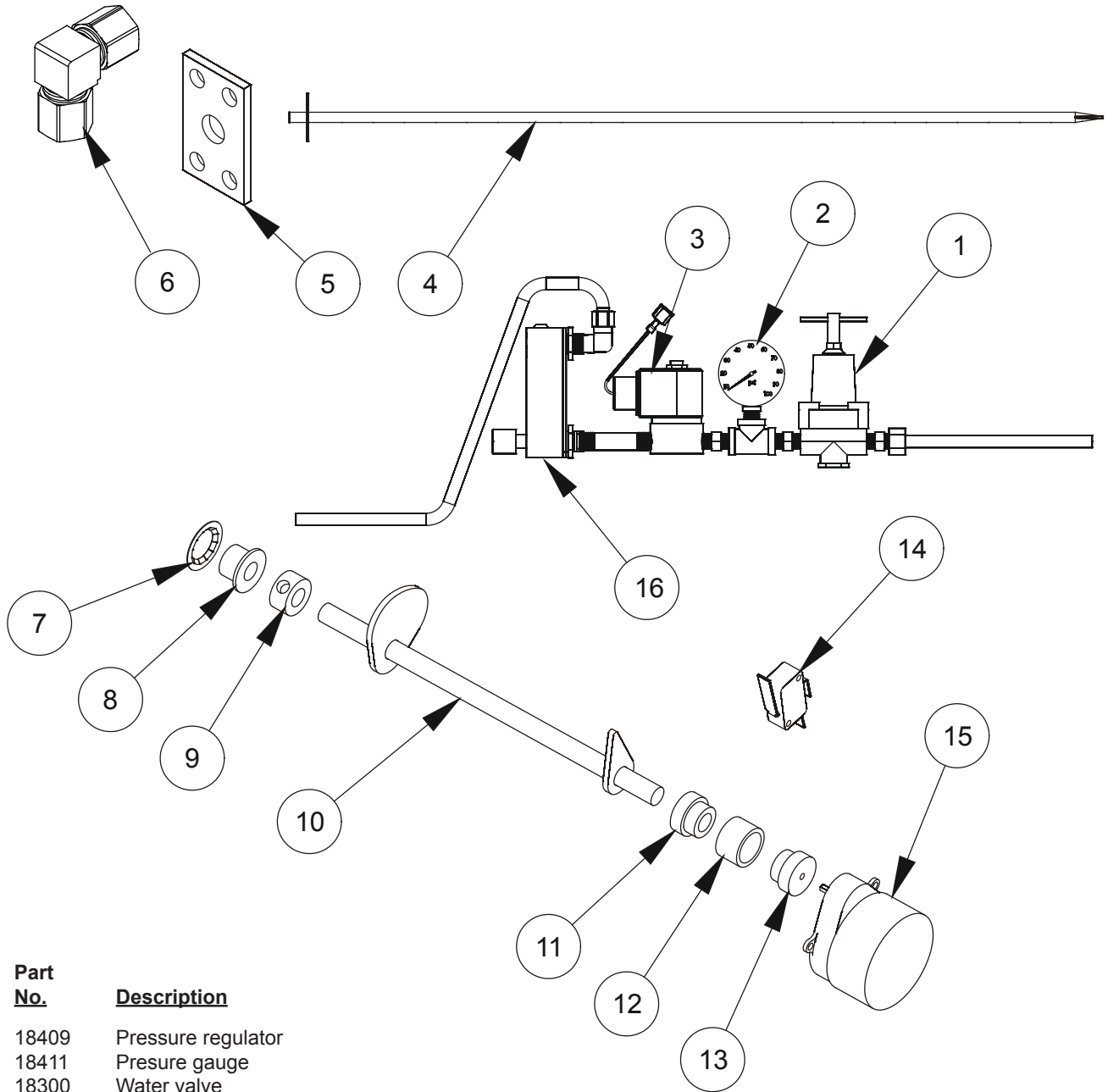
# GAS TRAIN COMPONENTS



| Ref. No. | Part No. | Description  |
|----------|----------|--|
| 1        | 38433    | Manifold assembly  |
| 2        | 22724    | High limit switch  |
| 3        | 39831    | Electrode, flame sense   |
| 4        | 38964    | Orifice retaining ring   |
| 5        | 38566    | Burner, inshot   |
| 6        | 38742    | Valve, natural gas   |
| 7        | 38743    | Valve, LP gas  |
| 8        | 51633    | Ignitor assembly   |
|          | 38962    | Burner assembly, natural gas (includes all items above except gas valve) |
|          | 38966    | Burner assembly, LP gas (includes all items above except gas valve)      |
|          | 36605    | Spark wire   |

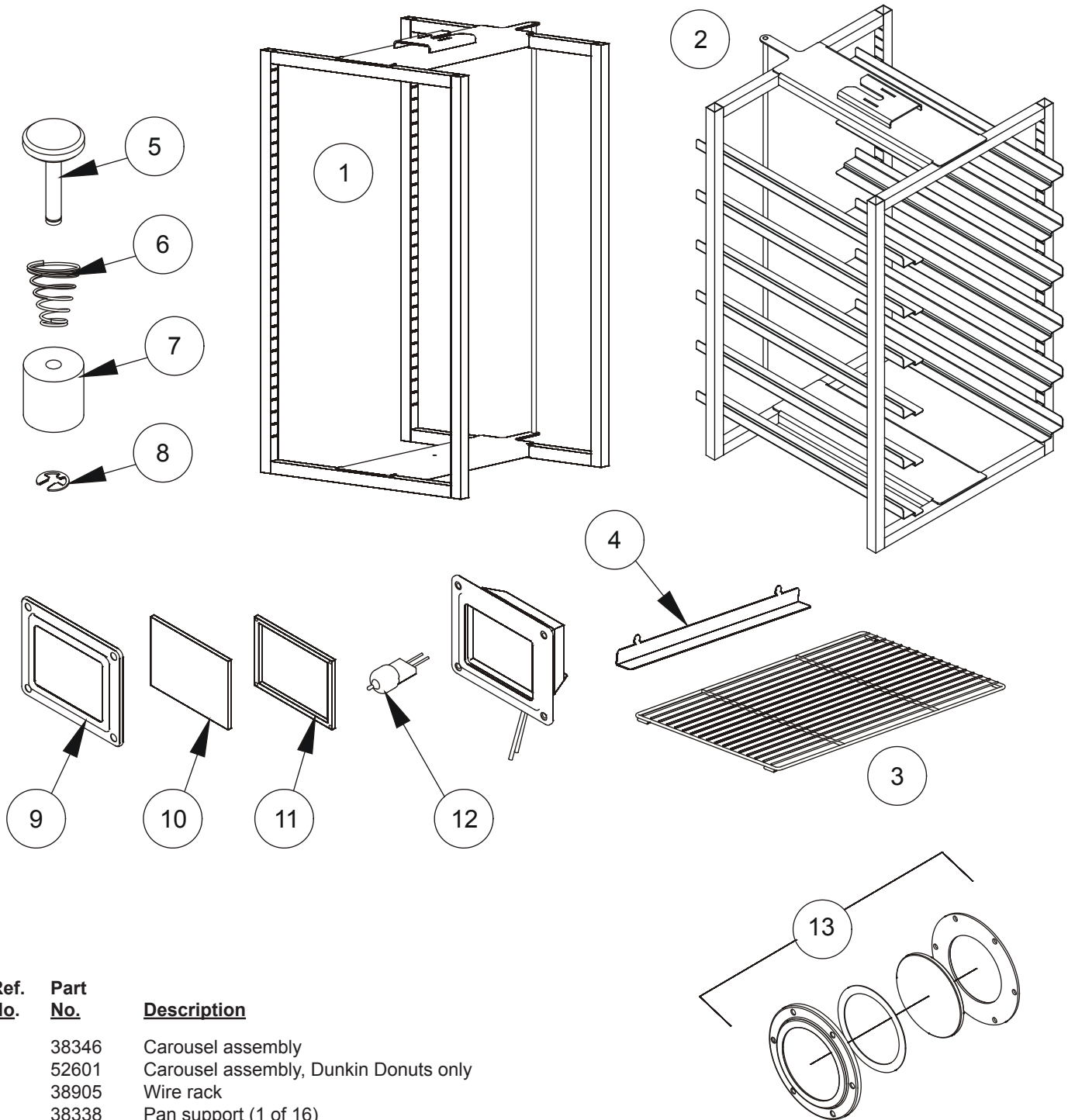


# STEAM SYSTEM



| <b>Ref. No.</b> | <b>Part No.</b> | <b>Description</b>                             |
|-----------------|-----------------|--|
| 1               | 18409           | Pressure regulator                             |
| 2               | 18411           | Pressure gauge                                 |
| 3               | 18300           | Water valve                                    |
| 4               | 38382           | Steam tube                                     |
| 5               | 38390           | Steam tube gasket                              |
| 6               | R8986           | Fitting, 90 degree                             |
|                 | 52178           | Kit, steam tube                                |
| 7               | 38584           | Bushing retainer                               |
| 8               | 38585           | Bushing  |
| 9               | 38575           | Collar   |
| 10              | 38494           | Vent rod assembly                              |
| 11              | 38586           | Coupling, 3/8 ID                               |
| 12              | 38588           | Sleeve   |
| 13              | 38587           | Coupling, 1/8 ID                               |
| 14              | 38576           | Vent motor                                     |
| 15              | 37392           | Micro switch                                   |
| 16              | 53423           | Flowmeter kit (for ovens built before 2-28-10) |
|                 | 53243           | Flowmeter kit (for ovens built after 2-28-10)  |

# INTERIOR ITEMS

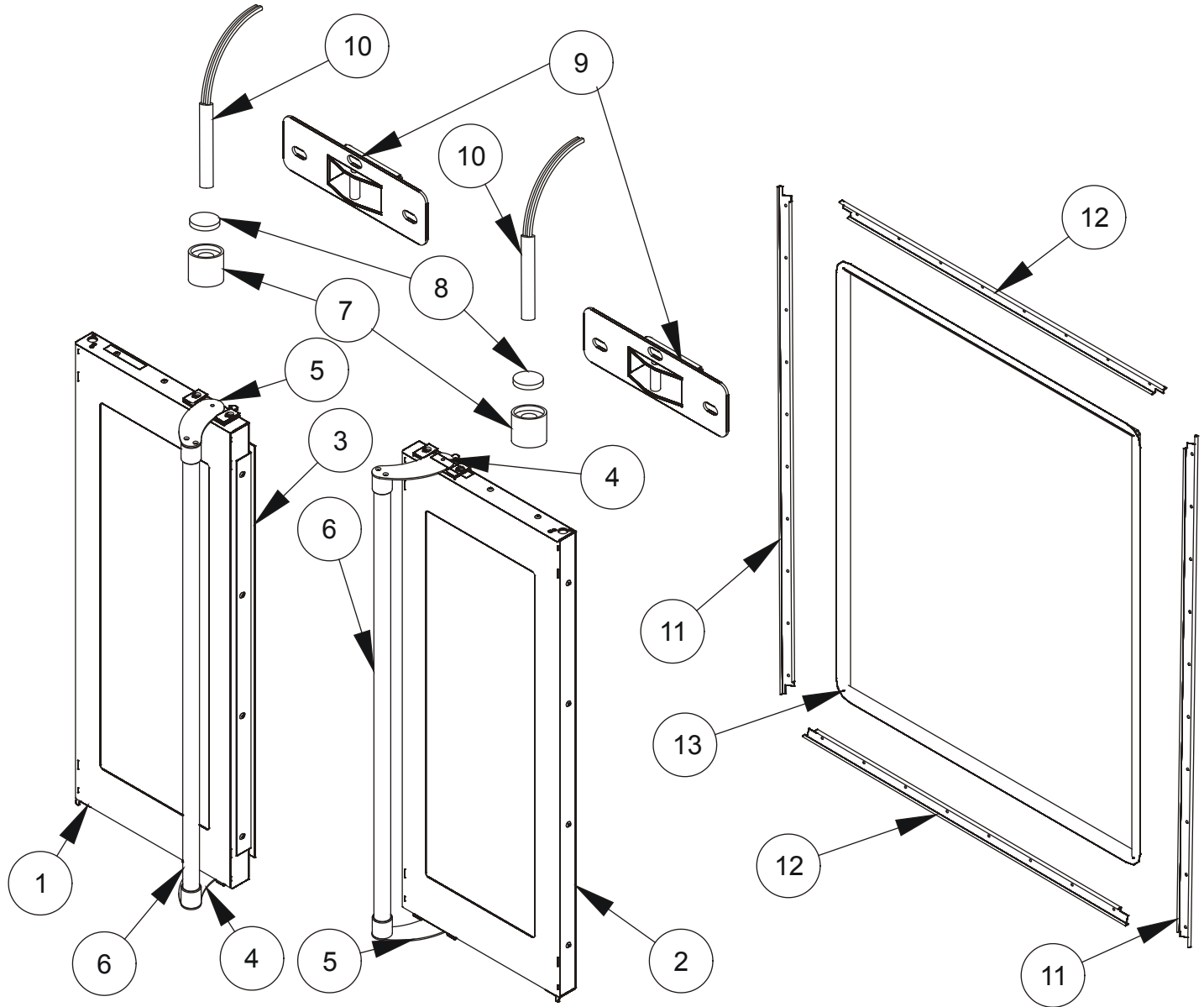


| <b>Ref. No.</b> | <b>Part No.</b> | <b>Description</b>                         |
|-----------------|-----------------|--|
| 1               | 38346           | Carousel assembly                          |
| 2               | 52601           | Carousel assembly, Dunkin Donuts only      |
| 3               | 38905           | Wire rack                                  |
| 4               | 38338           | Pan support (1 of 16)                      |
| 5               | 38312           | Plunger                                    |
| 6               | 38367           | Plunger spring                             |
| 7               | 38310           | Carousel bushing                           |
| 8               | 38956           | Retaining ring, plunger                    |
| 9               | D0125           | Lamp bezel for square light design         |
| 10              | 50192           | Lamp lens for square light design          |
| 11              | D0127           | Gasket, lamp bezel for square light design |
| 12              | D0128           | Bulb, halogen for square light design      |
|                 | 53101           | Bulb, halogen for round light design       |
| 13              | 53659           | Lens and caskets for round light design    |

# DOOR COMPONENTS

(For Ovens Built After 07-19-07.

These ovens will have the model code "DJ" within the serial number)



| Ref. No. | Part No. | Description                                       |
|----------|----------|---|
| 1        | ◆ 50630  | Door assembly, LH glass (comes with item #3 only) |
| 2        | ◆ 50625  | Door assembly, RH glass (comes with item #3 only) |
| 3        | 38913    | Center door gasket w/retainer                     |
| 4        | 50227    | Latch assembly, door                              |
| 5        | 50228    | Latch assembly, door                              |
| 6        | 50241    | Door handle                                       |
| 7        | 38791    | Cup, magnet                                       |
| 8        | 38792    | Magnet, door                                      |
| 9        | 50514    | Door catch (top or bottom)                        |
| 10       | 39744    | Proximity switch, magnetic                        |

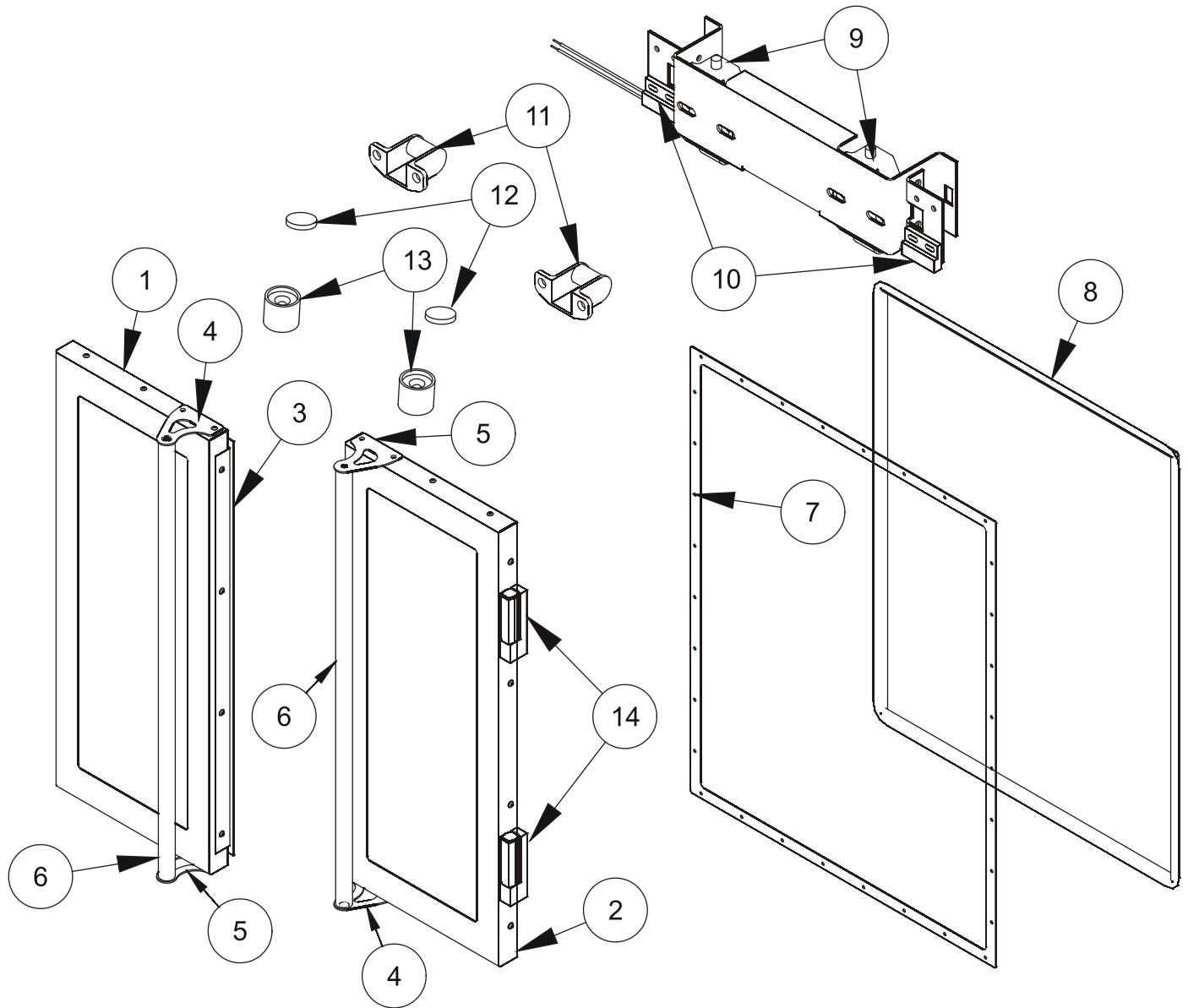
| Ref. No. | Part No. | Description                   |
|----------|----------|-------------------------------|
| 11       | 50100    | Gasket retainer, left / right |
| 12       | 50099    | Gasket retainer, top / bottom |
| 13       | 50064    | Door gasket                   |
|          | 50213    | Handle end caps               |

◆ Doors Are Not Returnable

# DOOR COMPONENTS

(For Ovens Built Before 07-19-07.

These ovens will have the model code "DF" within the serial number)

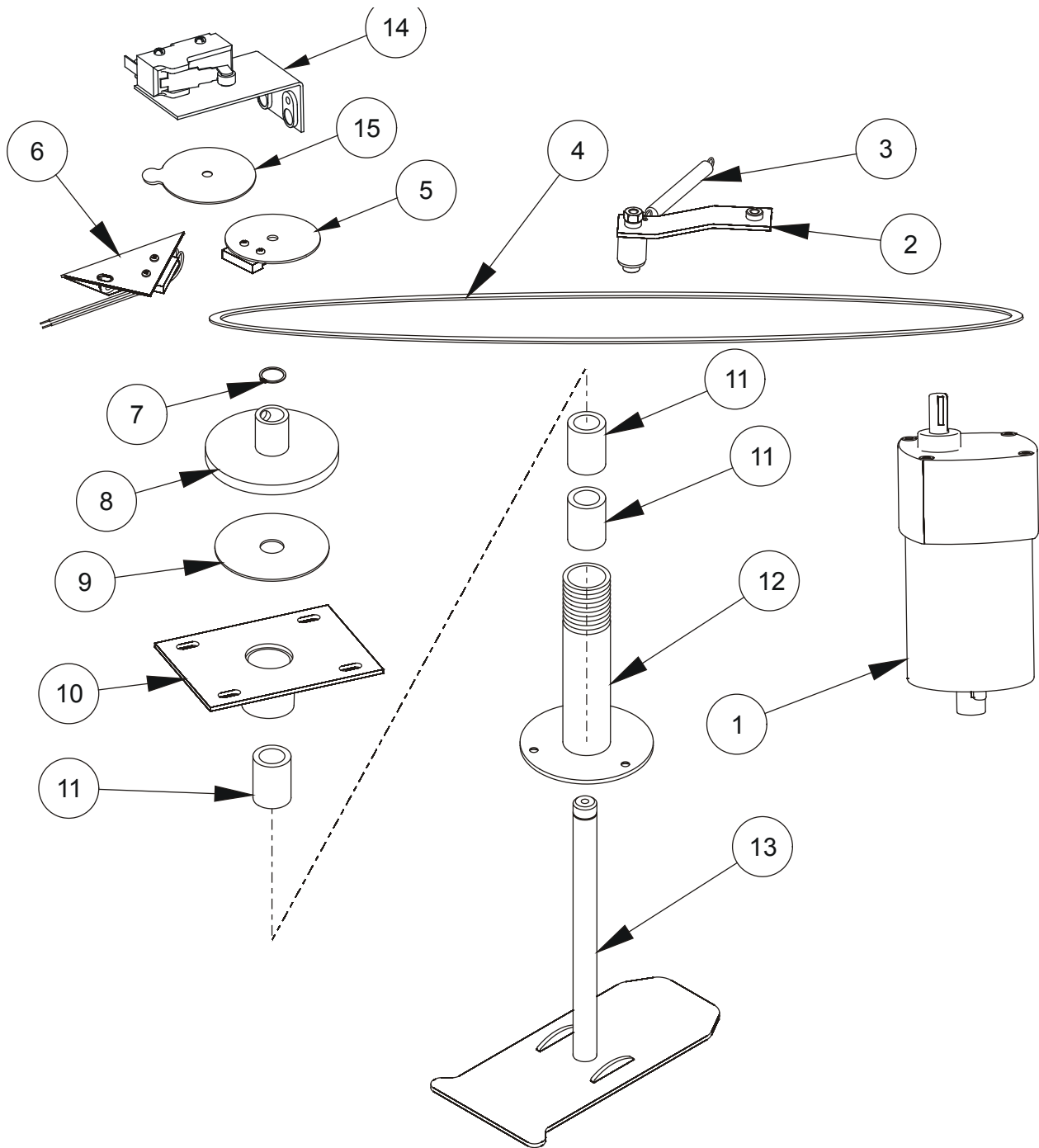


| Ref. No. | Part No. | Description                                       |
|----------|----------|---|
| 1        | ◆ 38225  | Door assembly, LH glass (comes with item #3 only) |
| 2        | ◆ 38226  | Door assembly, RH glass (comes with item #3 only) |
| 3        | 38913    | Center door gasket w/retainer                     |
| 4        | 38473    | Bracket, door handle                              |
| 5        | 38835    | Bracket, door handle6                             |
| 6        | 38836    | Door handle assembly (includes items #4 and 5)    |
| 7        | 38355    | Gasket retainer                                   |
| 8        | 38356    | Oven gasket                                       |
| 9        | 38960    | Latch body  |

| Ref. No. | Part No. | Description  |
|----------|----------|--|
| 10       | 38381    | Sensor, magnetic                                   |
|          | 38967    | Latch assembly complete (includes items #9 and 10) |
| 11       | 38961    | Latch striker                                      |
| 12       | 38792    | Magnet, door                                       |
| 13       | 38791    | Cup, magnet  |
| 14       | 38918    | Hinge, door (right or left)                        |

◆ Doors Are Not Returnable

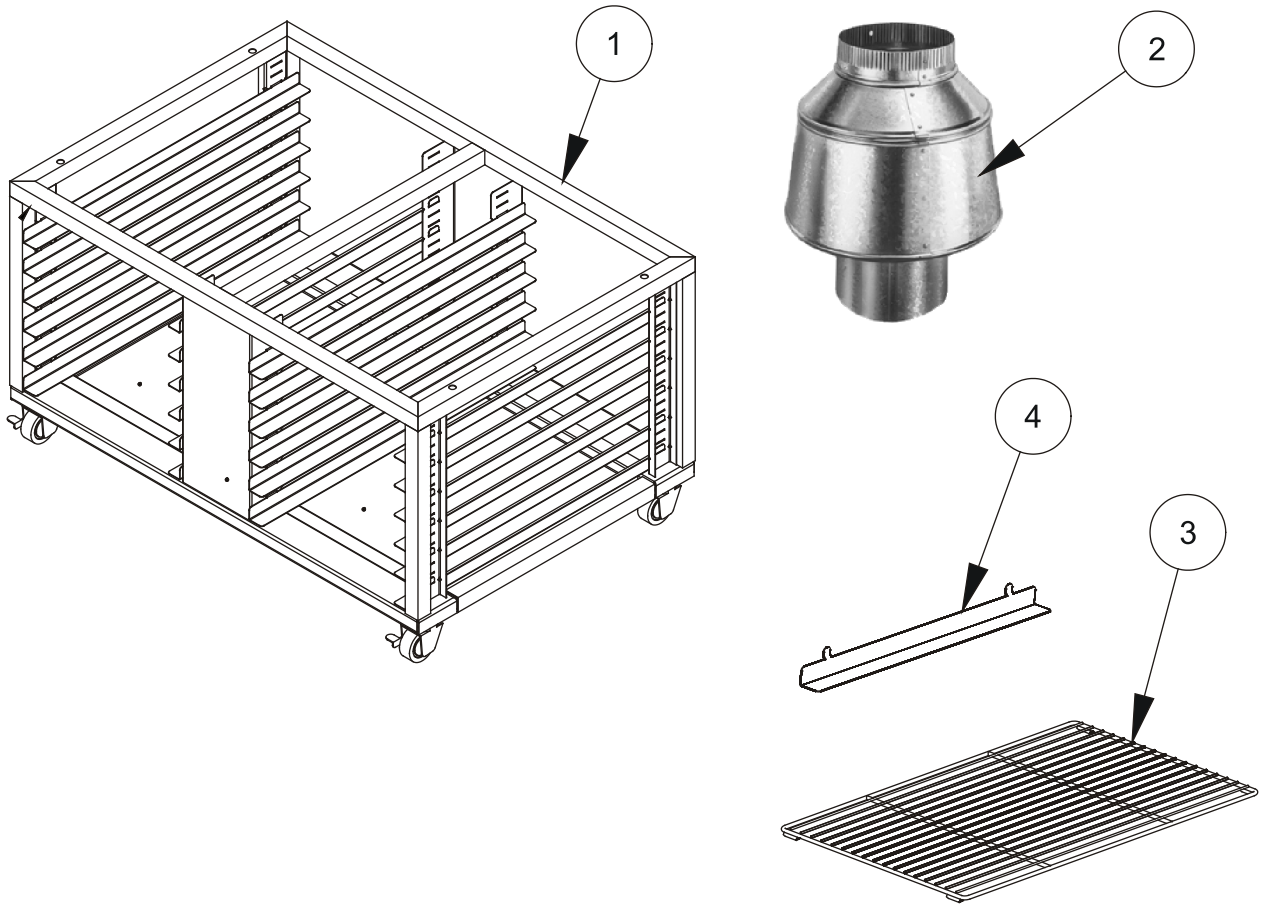
# CAROUSEL DRIVE SYSTEM



| <u>Ref. No.</u> | <u>Part No.</u> | <u>Description</u>  |
|-----------------|-----------------|---|
| 1               | 38358           | Motor, drive  |
|                 | 38409           | Pulley, motor drive   |
| 2               | 38747           | Idler arm assembly (includes item #3)                         |
| 3               | 38523           | Spring, idler arm   |
| 4               | 38410           | Drive belt  |
| 5               | 38839           | Indicator, rack position (ovens manufactured before 07-22-09) |
| 6               | 38838           | Sensor, rack position (ovens manufactured before 07-22-09)    |
| 7               | 38314           | Retainer clip   |
| 8               | 38290           | Load bearing  |

| <u>Ref. No.</u> | <u>Part No.</u> | <u>Description</u>                                       |
|-----------------|-----------------|--|
| 9               | 38295           | Thrust bearing   |
| 10              | 38292           | Top plate  |
| 11              | 38294           | Bearing, sleeve  |
| 12              | 38362           | Plate assembly, inside top                               |
| 13              | 38347           | Carousel support   |
| 14              | 52698           | Microswitch assembly (ovens manufactured after 07-22-09) |
| 15              | 52643           | Cam, microswitch (ovens manufactured after 07-22-09)     |
|                 | 38296           | Pulley, carousel   |
|                 | 53106           | Cam and bracket kit                                      |

# ACCESSORIES



| <b>Ref. No.</b> | <b>Part No.</b> | <b>Description</b>   |
|-----------------|-----------------|--|
| 1               | 38978           | Stand assembly with casters                                    |
|                 | 54596           | Stand assembly with feet                                       |
| 2               | 38557           | Direct vent drafthood  |
| 3               | 38905           | Wire racks   |
| 4               | 38774           | Pan slide, stand   |
|                 | 21242           | 48" flex gas hose with quick disconnect and restraining device |
|                 | 21826           | 36" flex gas hose with quick disconnect and restraining device |
|                 | 53163           | Caster shim kit  |
|                 | 38338           | Pan slide, oven  |
|                 | 5091            | Cordset, 120V  |