

Automatic or Pourover Coffee Brewer

ITEM#

PROJECT

DATE

Features



Model A10 Pourover

Dimensions: 14.7" H x 6.7" W x 12.9" D
(37.3cm H x 17.0cm W x 32.8cm D)

10 Cup Automatic or Pourover Coffee Brewer

- Brews 2.9 gallons (11 litres) of perfect coffee per hour.
- Both automatic and pourover models for superb coffee.
- Attractive, space-saving to fit any counter.
- Separately controlled warmer.
- Highest quality workmanship and materials throughout for long dependable life.
- Automatic model is connected to water line.



Model A10A Automatic

Dimensions: 14.7" H x 6.7" W x 12.9" D
(37.3cm H x 17.0cm W x 32.8cm D)

For current specification sheets and other information, go to www.bunn.com.

Related Products

Easy Clear® EQ-17-TL

Product No. : 30200.1000

Dimensions:

12⁷/₁₆" H x 2¹/₂" W x 3" D

31.6 cm H x 6.35 cm W x 7.62 cm D



Paper Filter Pack

Product No. : 20106.0000

Packed per case: 1,000

Dimensions: 4¹/₄" Base x 2³/₄" Sidewall

10.8 cm Base x 6.98 cm Sidewall



NCD black decanter

Product No. : 20435.0000 (10 cups)



Easy Clear® ED-17-TL

Product No. : 30201.1001

Dimensions:

8¹/₄" H x 2⁵/₁₆" Dia.

20.95 cm H x 5.87 cm Dia.



Model

Agency Listing

A10



A10A



Dimensions & Specifications

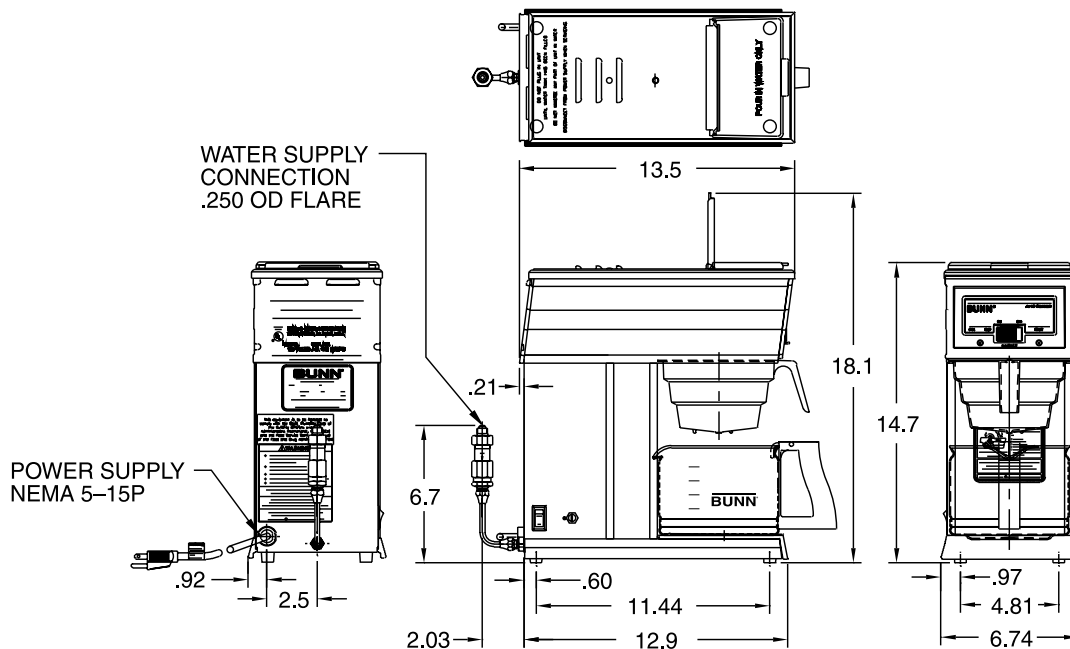
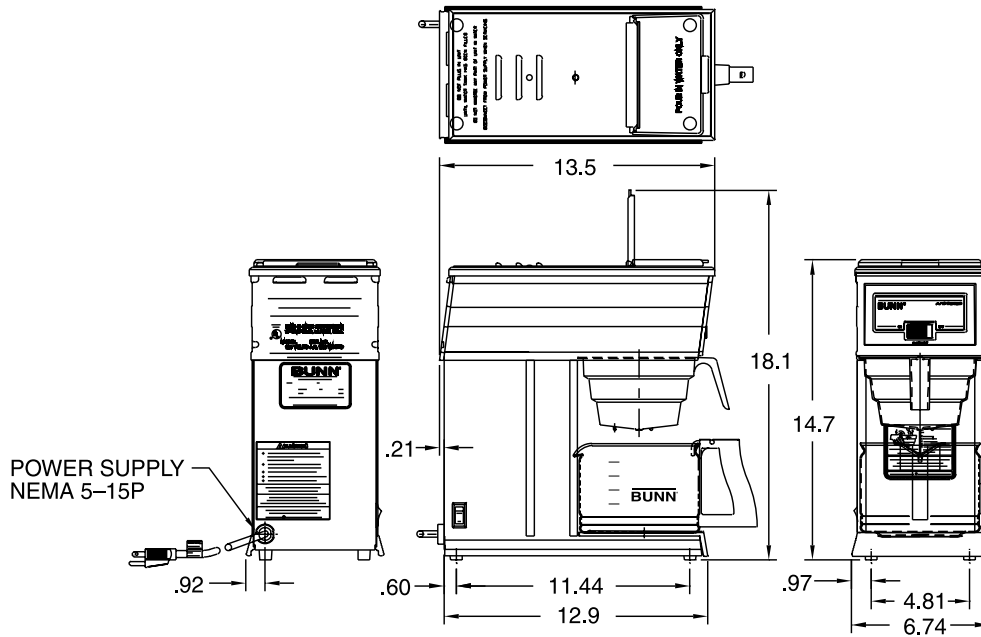
Model	Product #	Volts	Amps	Tank Heater Watts	Total Watts	Brewing Capacity	Cu. Ft.	Shipping Weight	Cord Attached
A10	21250.0000	120	9.5	1000	1140	2.9 gal./hr.	1.5	14 lbs.	Yes*
A10A	21250.0004	120	9.5	1000	1140	2.9 gal./hr.	1.5	16 lbs.	Yes*

*Power cord (NEMA 5-15P) 15 amp 120 V machine only

Brewing capacity: based upon incoming water temp of 60°F (140°F rise) per ½ gallon brew time of 4 minutes.

Electrical: Model requires 2-wires plus ground service rated 120V, single phase, 60 Hz.

Plumbing: 20-90 psi (138-621 kPa). Supplied with ¼" male flare fitting. (Automatic unit only)



Bunn-O-Matic® Corporation - 1400 Stevenson Drive Springfield, Illinois 62703 • 800-637-8606 • 217-529-6601 • Fax 217-529-6644 • www.bunn.com

BUNN® practices continuous product research and improvement. We reserve the right to change specifications and product design without notice. Such revisions do not entitle the buyer to corresponding changes, improvements, additions or replacements for previously purchased equipment.

All dimensions shown in inches.

3/11 © Bunn-O-Matic Corporation