

BUNN[®] Espresso[®]

ES•2C



DISCONTINUED VERSION
Parts listed in this catalog
may no longer be available.

ILLUSTRATED PARTS CATALOG

Designs, materials, weights, specifications, and dimensions for equipment or replacement parts are subject to change without notice.

BUNN-O-MATIC CORPORATION

POST OFFICE BOX 3227

SPRINGFIELD, ILLINOIS 62708-3227

PHONE: (217) 529-6601 FAX: (217) 529-6644

WARRANTY

Bunn-O-Matic Corp. ("Bunn") warrants the equipment manufactured by it to be commercially free from defects in material and workmanship existing at the time of manufacture and appearing within one year from the date of installation. In addition:

1.) Bunn warrants electronic circuit and/or control boards to be commercially free from defects in material and workmanship for three years from the date of installation.

2.) Bunn warrants the compressor on refrigeration equipment to be commercially free from defects in material and workmanship for two years from the date of installation.

3.) Bunn warrants that the grinding burrs on coffee grinding equipment will grind coffee to meet original factory screen sieve analysis for three years from date of installation or for 30,000 pounds of coffee, whichever comes first.

This warranty does not apply to any equipment, component or part that was not manufactured by Bunn or that, in Bunn's judgement, has been affected by misuse, neglect, alteration, improper installation or operation, improper maintenance or repair, damage or casualty.

THE FOREGOING WARRANTY IS EXCLUSIVE AND IS IN LIEU OF ANY OTHER WARRANTY, WRITTEN OR ORAL, EXPRESS OR IMPLIED, INCLUDING, BUT NOT LIMITED TO, ANY IMPLIED WARRANTY OF EITHER MERCHANTABILITY OR FITNESS FOR A PARTICULAR PURPOSE. The agents, dealers or employees of Bunn are not authorized to make modifications to this warranty or to make additional warranties that are binding on Bunn. Accordingly, statements by such individuals, whether oral or written, do not constitute warranties and should not be relied upon.

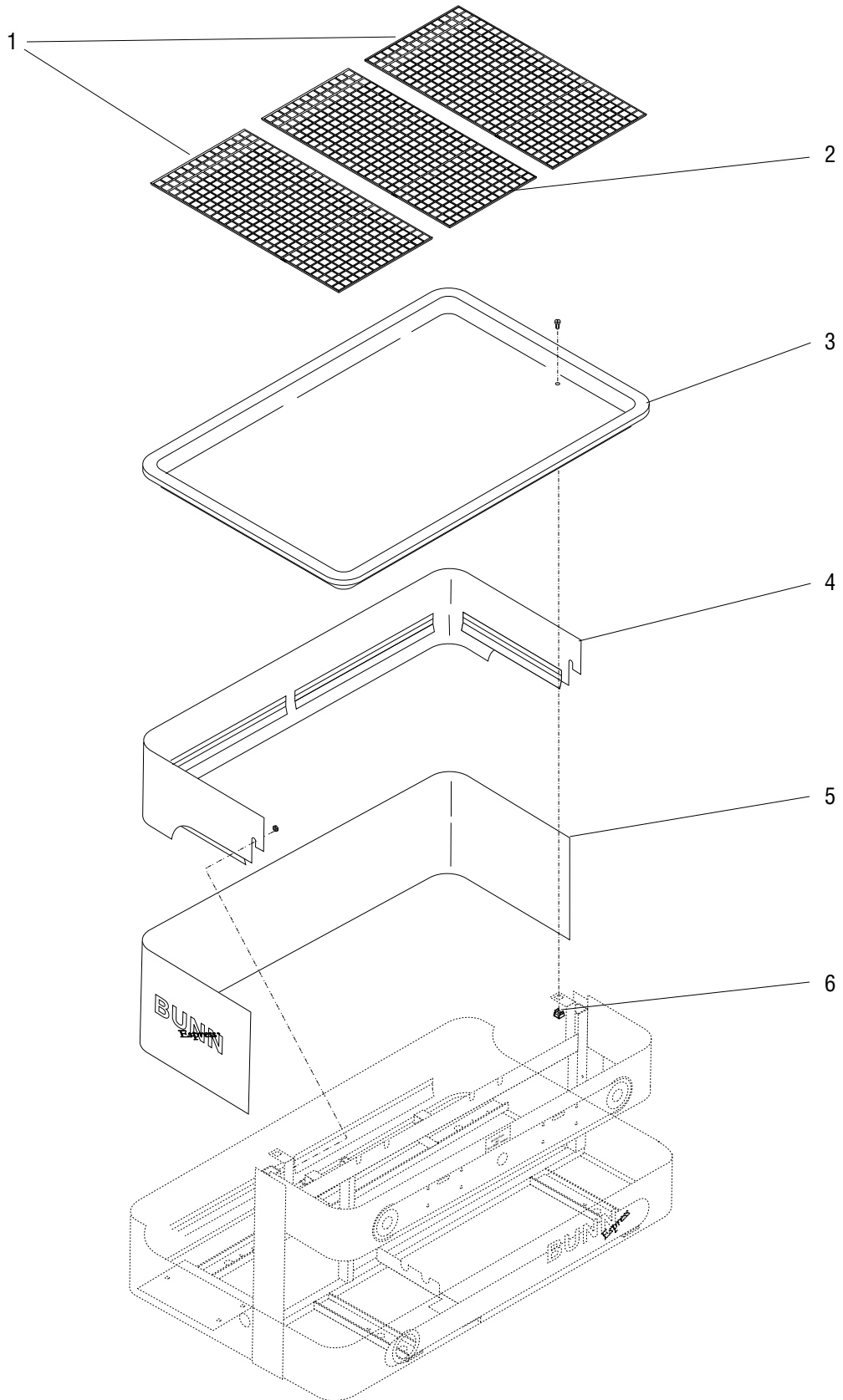
The Buyer shall give Bunn prompt notice of any claim to be made under this warranty by telephone at (217) 529-6601 or by writing to Post Office Box 3227, Springfield, Illinois, 62708-3227. If requested by Bunn, the Buyer shall ship the defective equipment prepaid to an authorized Bunn service location. If Bunn determines, in its sole discretion, that the equipment does not conform to the warranty, Bunn shall repair the equipment with no charge for parts during the warranty period and no charge for labor by a Bunn Authorized Service Representative during the warranty period. If Bunn determines that repair is not feasible, Bunn shall, at its sole option, replace the equipment or refund the purchase price for the equipment.

THE BUYER'S REMEDY AGAINST BUNN FOR THE BREACH OF ANY OBLIGATION ARISING OUT OF THE SALE OF THIS EQUIPMENT, WHETHER DERIVED FROM WARRANTY OR OTHERWISE, SHALL BE LIMITED, AS SPECIFIED HEREIN, TO REPAIR OR, AT BUNN'S SOLE OPTION, REPLACEMENT OR REFUND.

In no event shall Bunn be liable for any other damage or loss, including, but not limited to, lost profits, lost sales, loss of use of equipment, claims of Buyer's customers, cost of capital, cost of down time, cost of substitute equipment, facilities or services, or any other special, incidental or consequential damages.

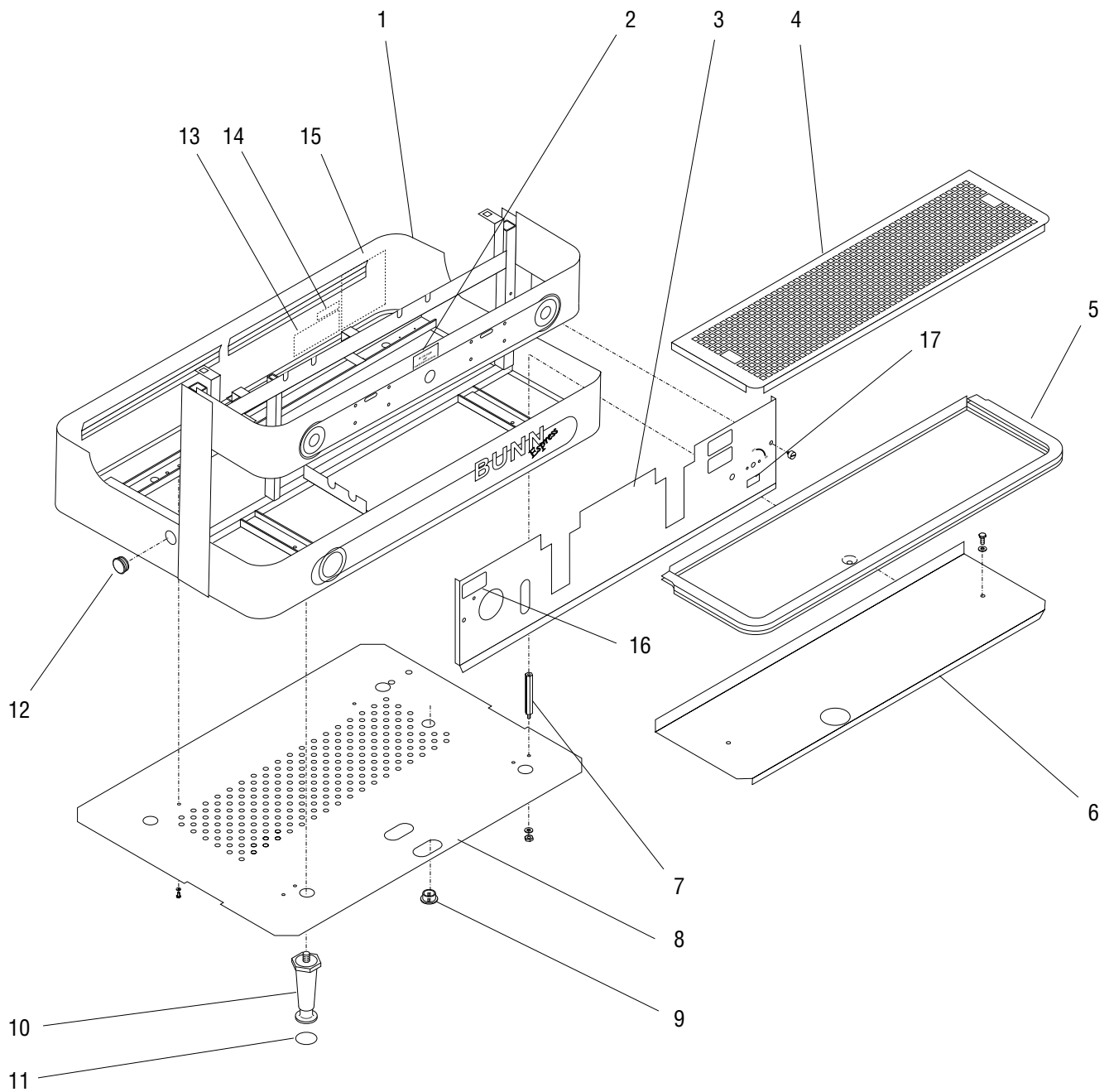
TABLE OF CONTENTS

Base, Front Panel, Drip Tray and Bottom Cover	6
Electrical and Operating Controls.....	24
Filter Holder Assembly.....	30
Group Head and Piping.....	22
Numerical Index.....	32
Pressure Guage and Piping	16
Pump, Flow Meter, Solenoid and Piping	10
Steam, Hot Water Valves and Piping	18
Tank and Components	8
Top Cover and Rear Panels	4



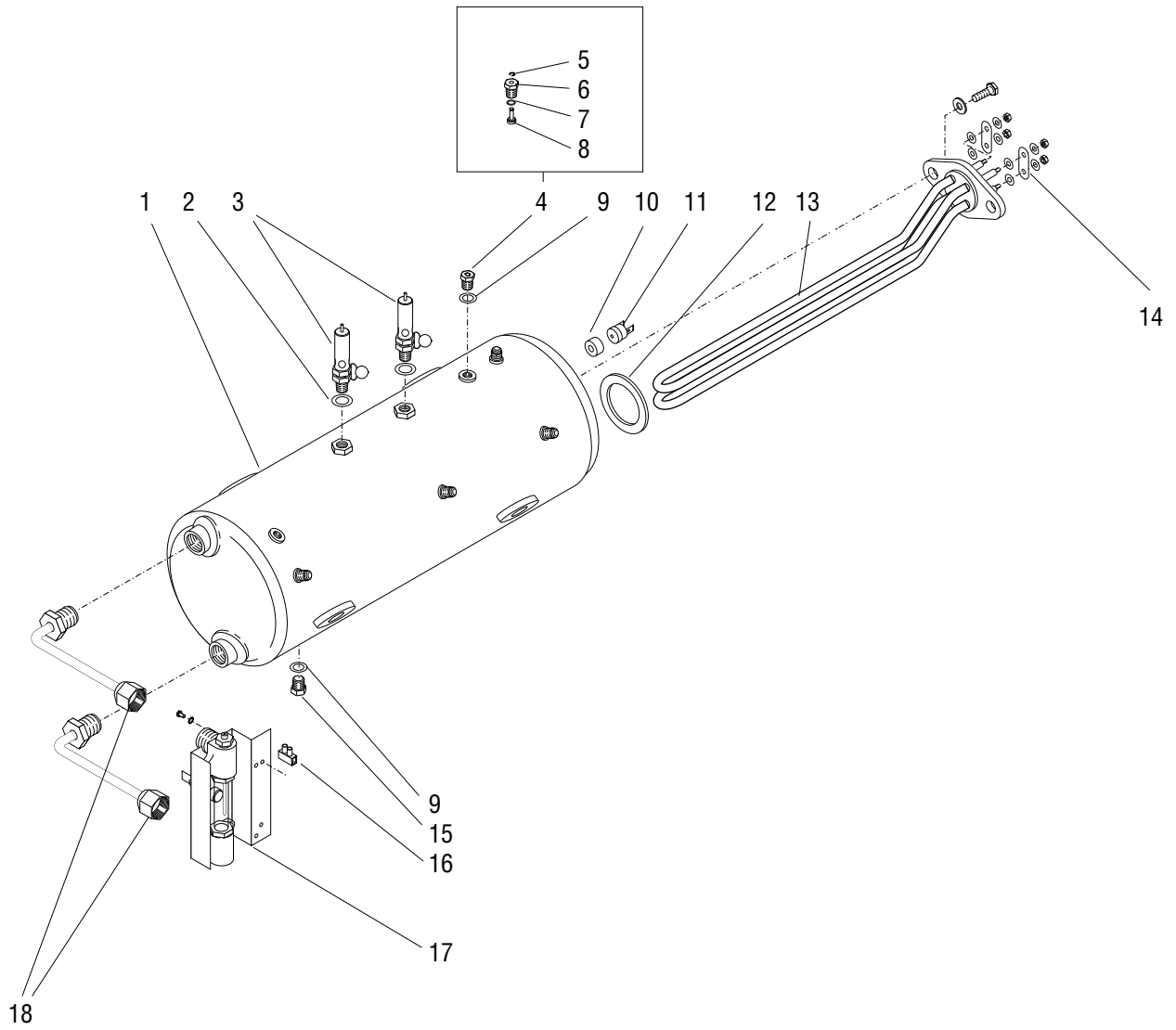
TOP COVER AND REAR PANELS

ITEM	PART NO.	QTY.	DESCRIPTION
1	26477.0000	2	Grate
2	26477.0001	1	Grate
3	25168.0000	1	Panel, Top
	24006.0401	2	Screw, Cheese Head M5 x 0.8 x 12mm
4	25169.0000	1	Panel, Upper Rear
	24047.0100	2	Nut, Hex M6 x 1.0 Brass
5	25170.0000	1	Panel, Lower Rear
6	25167.0000	2	Cage Nut, M5 x 0.8



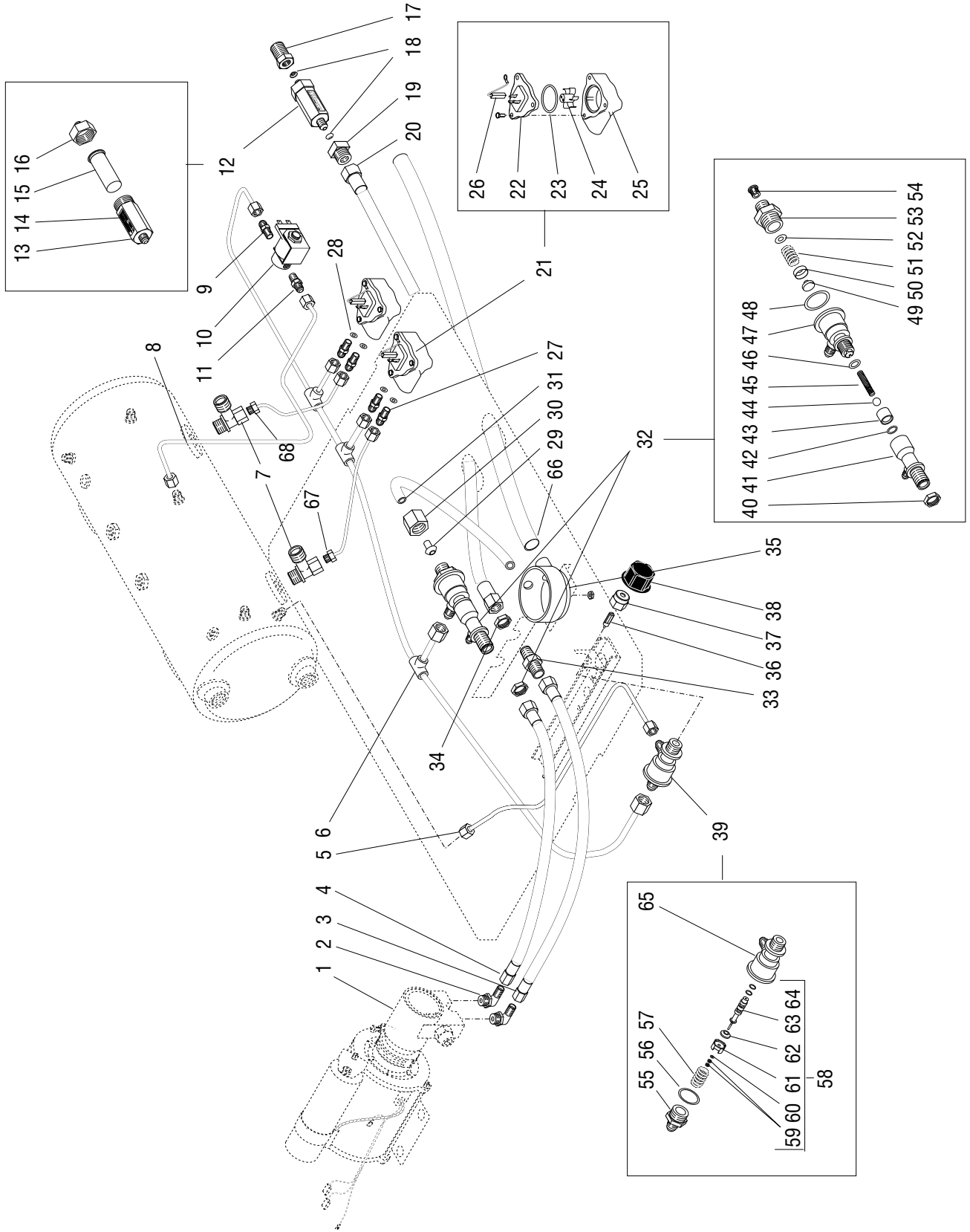
BASE, FRONT PANEL, DRIP TRAY AND BOTTOM COVER

ITEM	PART NO.	QTY.	DESCRIPTION
1	25172.0000	1	Frame, Base
2	24246.0000	1	Decal, Caution - Hot-Liquid-Steam
3	25166.0000	1	Panel, Front
	25171.0000	2	Screw
4	25173.0000	1	Grate, Drip Tray
5	25174.0000	1	Drip Tray
6	27387.0000	1	Cover
	24006.0000	2	Screw, Hex Head M5 x 0.8 x 10mm
	24026.0000	2	Washer, Flat M5
7	27373.0000	2	Spacer
	24026.0000	2	Washer, Flat M5
	24046.0000	2	Nut, Elastic Stop M5 x 0.8
8	26476.0000	1	Cover, Bottom
	24006.0000	4	Screw, Hex Head M5 x 0.8 x 10mm
	24026.0000	4	Washer, Flat M5
9	27374.0000	1	Bushing, Snap
10	00502.0000	4	Leg, 4" Adjustable (See item 18)
11	03996.0000	4	Pad, Anti Skid 1.25" Dia (See item 18)
12	26479.0000	1	Plug
13	00656.0000	1	Decal, Comply to Plumbing Code
14	24247.0000	1	Decal, Notice - Operating Pressure
15	00986.0002	1	Decal, Electrical Warning
16	22723.0000	1	Decal, Run - Program
17	22724.0000	1	Decal, Power Switch
18	13255.0002	1	Kit, Leg (Includes four legs and four anti skid pads)



TANK AND COMPONENTS

ITEM	PART NO.	QTY.	DESCRIPTION
1	25188.0000	1	Tank
2	23628.0000	2	Gasket, Copper
3	25008.0000	2	Valve, Pressure Relief (Also order item 2)
4	23603.0000	1	Valve Assembly, Compensation (Includes 5 thru 8) (Also order item 9)
5	26209.0000	1	E-Ring, Valve Stem
6	-----	1	Housing (Not Available. Order item 4)
7	23586.0000	1	O-Ring, Valve Stem
8	-----	1	Stem, Valve (Not Available. Order item 4)
9	24030.0001	2	Gasket, Copper
10	25186.0000	1	Spacer, Limit Thermostat - Brass
11	25035.0000	1	Thermostat, Limit
12	23600.0001	1	Gasket, Tank Heater
13	24664.1000	1	Heater, Tank 220V 3500W (Includes item 12)
	23934.0000	2	Screw, Hex Head .375"-16 x 1"
	24029.0000	2	Washer, Flat M10
14	23598.0000	2	Bar, Shorting Tank Heater Terminals
	24025.0000	8	Washer, Flat M4
	24045.0101	4	Nut, Hex M4 x 0.7
15	23602.0001	1	Plug, Drain
16	22814.0000	1	Terminal Block
17	25220.0000	1	Gauge Assembly, Sight
	24005.0002	2	Screw, Hex Head M4 x 0.7 x 8mm
	24025.0301	2	Lockwasher, External Tooth M4
18	25274.0000	2	Tube Assy, Tank to Sight Gauge



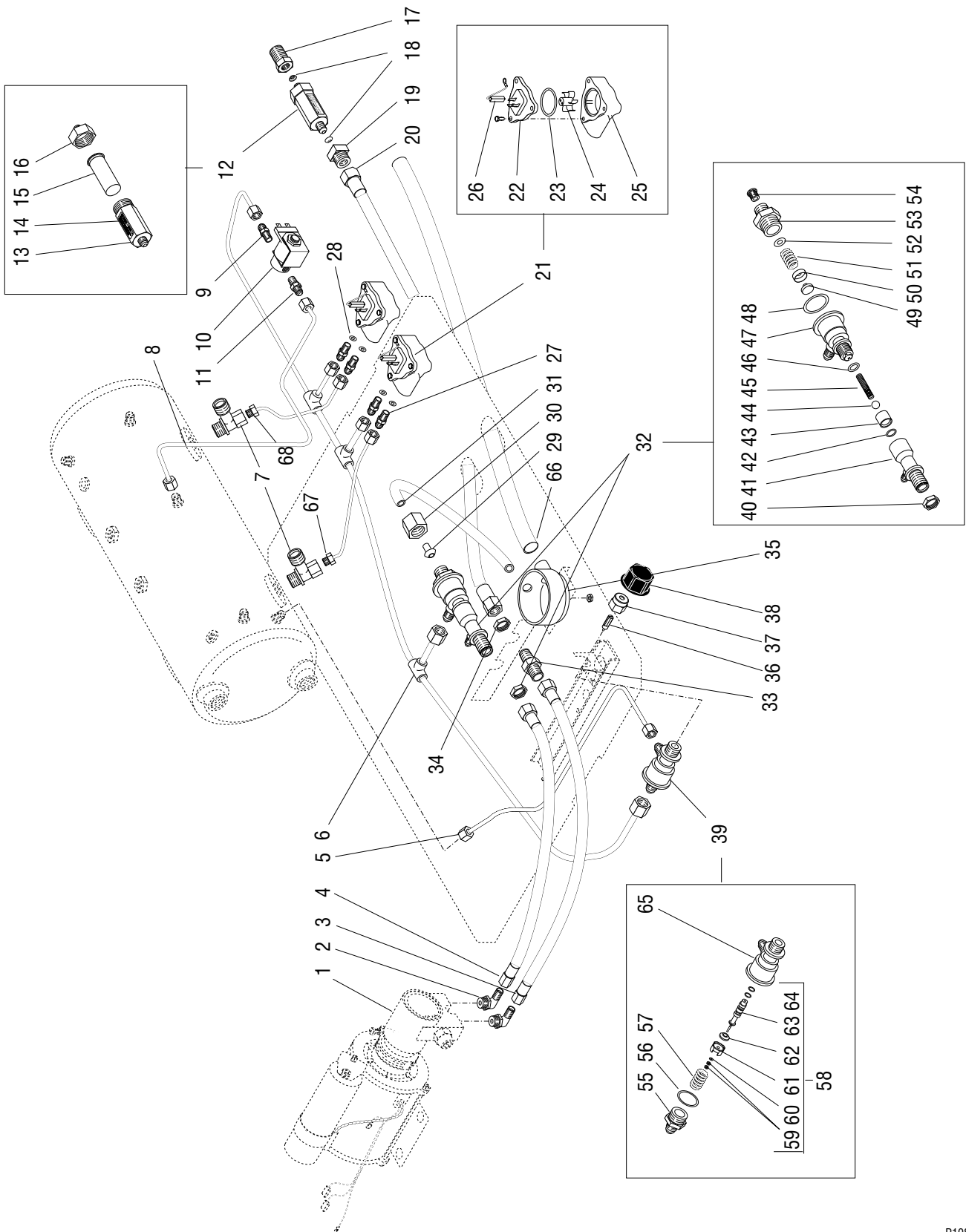
PUMP, FLOW METER, SOLENOID AND PIPING

ITEM	PART NO.	QTY.	DESCRIPTION
1	-----	1	Motor and Pump Assembly (See Electrical and Operating Controls)
2	25235.0000	2	Fitting, Pump 90°
3	25267.0000	1	Hose Assembly, Pump Inlet
4	25268.0000	1	Hose Assembly, Pump Outlet
5	25270.0000	1	Tube Assembly, Fill Valve to Tank
6	25269.0000	1	Manifold, Water
7	23609.0001	2	Fitting, Water Inlet
8	25278.0000	1	Tube Assembly, Solenoid to Tank
9	23567.0001	1	Fitting, Solenoid Inlet
10	01975.0001	1	Solenoid Valve, 240V
11	26884.0001	1	Fitting, Solenoid Outlet
12	23820.1000	1	Strainer Assembly (Includes items 13 thru 16) (See item 69)
13	-----	1	Housing, Water Strainer (Not Available. Order item 12)
14	-----	1	Decal, Strainer (Not Available)
15	23271.0000	1	Screen
16	22249.0000	1	Cap, Water Strainer End
17	24682.0000	1	Adapter, .25" Female Flare x .375" NPT
18	24684.0000	2	Sealing Washer
19	24683.0000	1	Adapter, .25" Female Flare x .375" BSPP
20	24386.0000	1	Hose Kit, Water Inlet
21	22775.0000	2	Flow Meter (Includes items 22 thru 26)
22	22676.0000	1	Cover, Flow Meter
	24005.0002	3	Screw, M4 x 0.7 x 10mm
23	22668.0000	1	O-Ring
24	22675.0000	1	Turbine
25	-----	1	Housing (Not Available. Order item 21)
26	21000.0524	1	Lead W/Terminals, Flow Meter Ground
27	23624.0000	4	Fitting, Flow Meter (Also order item 28)
28	22868.0000	4	Sealing Washer
29	27375.0000	1	Ferrule
30	27372.0000	1	Nut
31	-----	1	Tube, Silicone .312" I.D. x .438" O.D. x 10" LG (Order item 70)

} See item 69

(Continued)

(Continued)

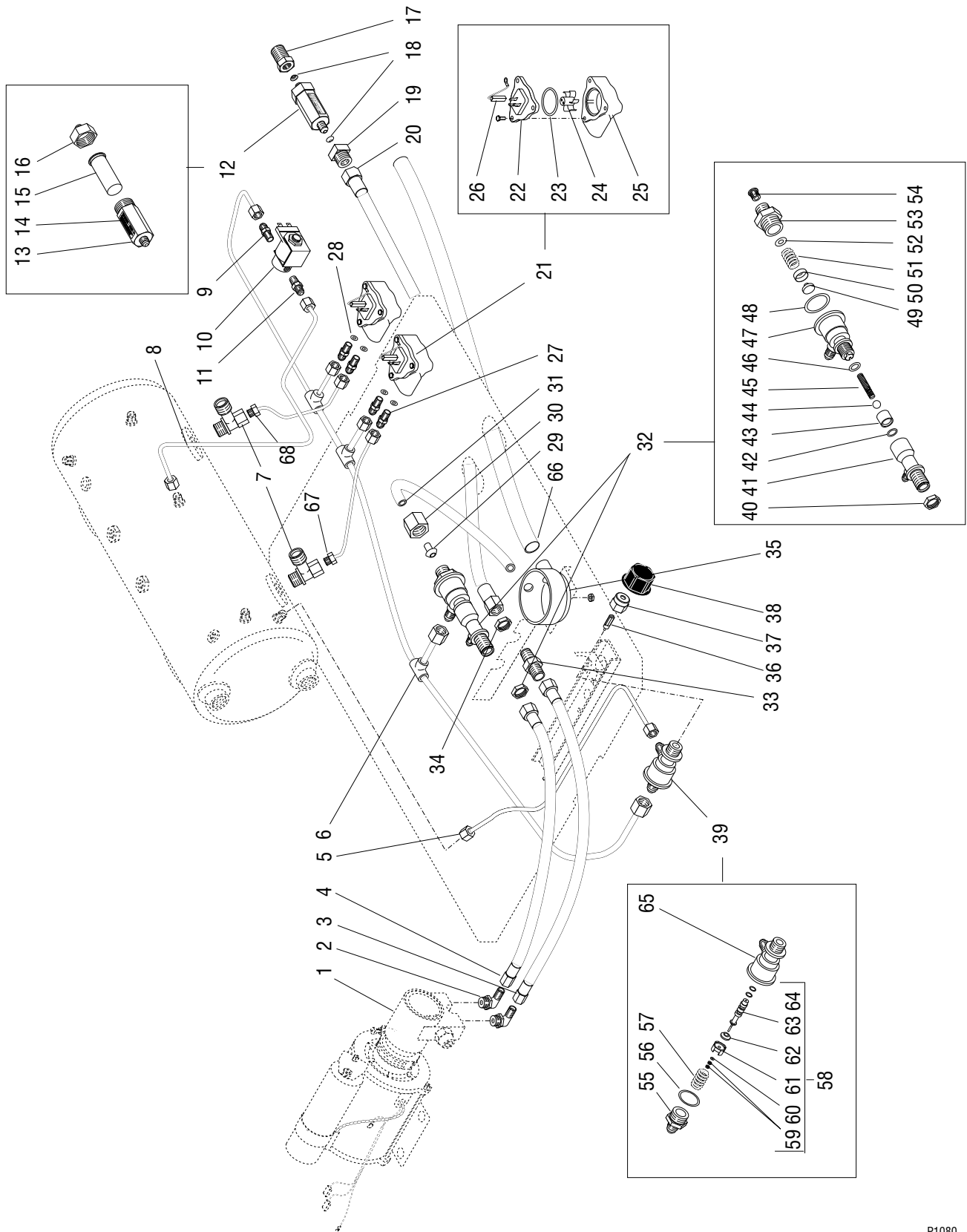


PUMP, FLOW METER, SOLENOID AND PIPING

ITEM	PART NO.	QTY.	DESCRIPTION
32	25266.0000	1	Valve Assembly, Check/Relief (Includes items 40 thru 54)
33	25165.0000	1	Fitting, Inlet
34	23933.0000	1	Nut, Jam .375 BSPP
35	23634.0000	1	Cup, Drain
	24045.0101	1	Nut, Hex M4 x 0.7
36	25252.0000	1	Rod, Fill Valve Actuator
37	25253.0000	1	Nut, Retaining- Fill Valve Actuator Rod
38	25254.0000	1	Knob, Fill Valve
39	25251.0000	1	Valve Assembly, Fill (Includes items 55 thru 63)
40	23933.0000	1	Nut, Jam .375 BSPP
41	25255.0000	1	Body, Check Valve
42	23560.0000	1	O-Ring
43	25256.0000	1	Sleeve
44	25257.0000	1	Ball
45	25258.0000	1	Spring
46	22573.0000	1	O-Ring
47	25259.0000	1	Body, Pressure Relief Valve
48	25242.0000	1	Gasket, Copper
49	25260.0000	1	Seat, Rubber
50	25261.0000	1	Retainer, Rubber Seat
51	25262.0000	1	Spring
52	25263.0000	1	Washer
53	25264.0000	1	Fitting, Relief Valve
54	25265.0000	1	Orifice, Relief Valve
55	25241.0000	1	Fitting, Fill Valve
56	25242.0000	1	Gasket, Copper
57	25243.0000	1	Spring
58	25249.0000	1	Plunger Assembly, Fill Valve (Includes items 59 thru 64)
59	25244.0000	2	Nut
60	25245.0000	1	Washer
61	25246.0000	1	Cup, Rubber Seat
62	25247.0000	1	Seat, Rubber

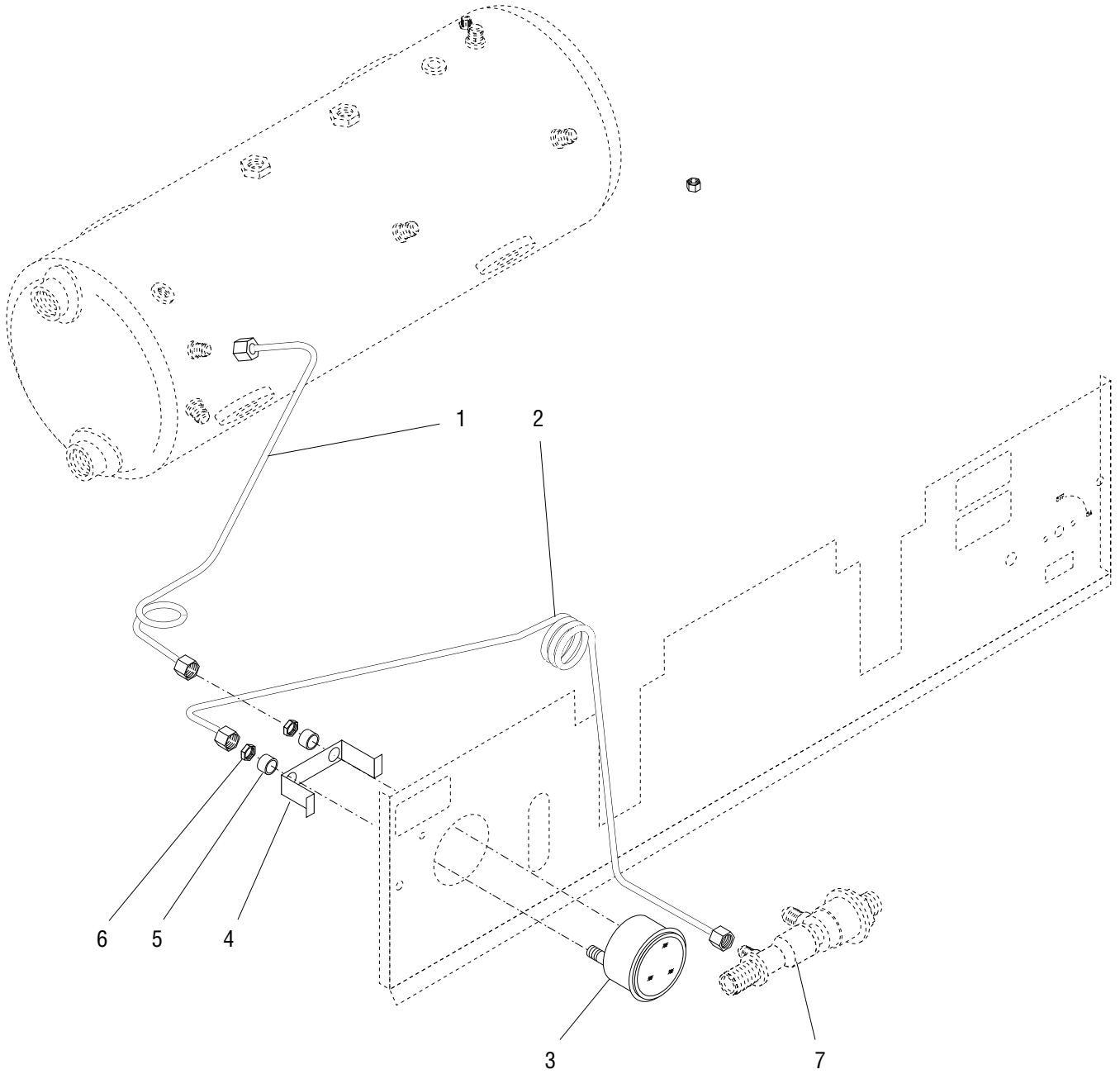
(Continued)

(Continued)



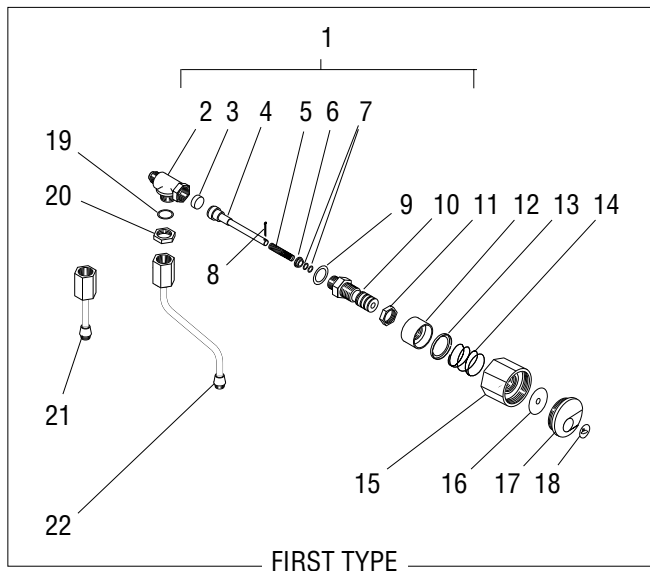
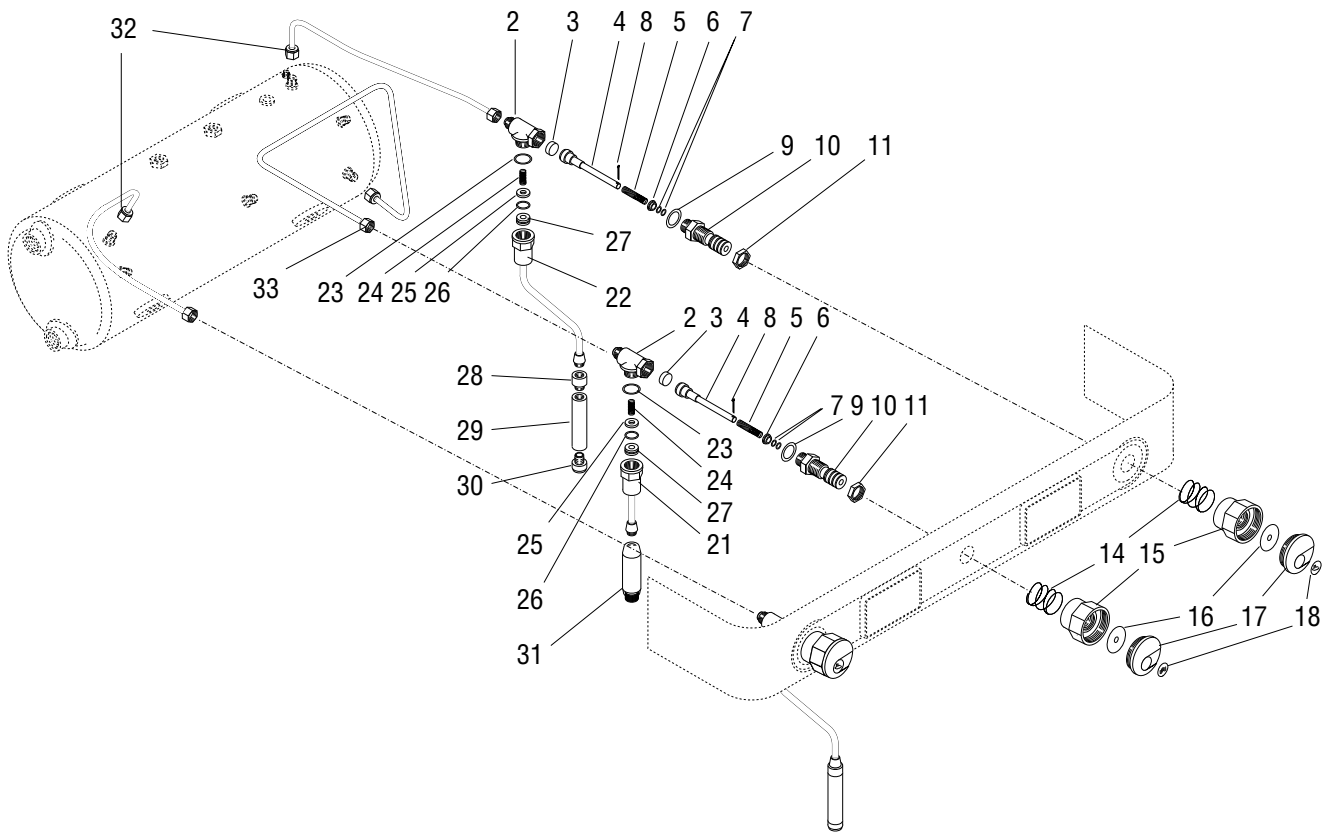
PUMP, FLOW METER, SOLENOID AND PIPING

ITEM	PART NO.	QTY.	DESCRIPTION
63	25248.0000	1	Plunger, Fill Valve
64	23586.0000	2	O-Ring
65	25250.0000	1	Body, Fill Valve
66	22603.0000	1	Hose, Plastic Drain
67	25279.0000	1	Tube Assembly, Left Flow Meter To Tank
68	25280.0000	1	Tube Assembly, Right Flow Meter To Tank
69	24744.0000	1	Strainer Kit (Includes items 12, 17 thru 19)
70	03236.1001	1	Tube, Silicone .312" I.D. x .438" O.D. x 36" LG



PRESSURE GAUGE AND PIPING

ITEM	PART NO.	QTY.	DESCRIPTION
1	25276.0000	1	Tube Assembly, Gauge to Tank
2	25271.0002	1	Tube Assembly, Check/Relief Valve to Gauge
3	24210.0000	1	Gauge, Pressure
4	24211.0000	1	Bracket, Gauge Mounting
5	24267.0000	2	Spacer
6	24284.0000	2	Nut, Hex M10
7	-----	1	Check/Relief Vale Assembly (See Pump, Flow Meter, Solenoid and Piping)
8	24212.0000	-	Gauge Kit (Includes items 3 thru 6)

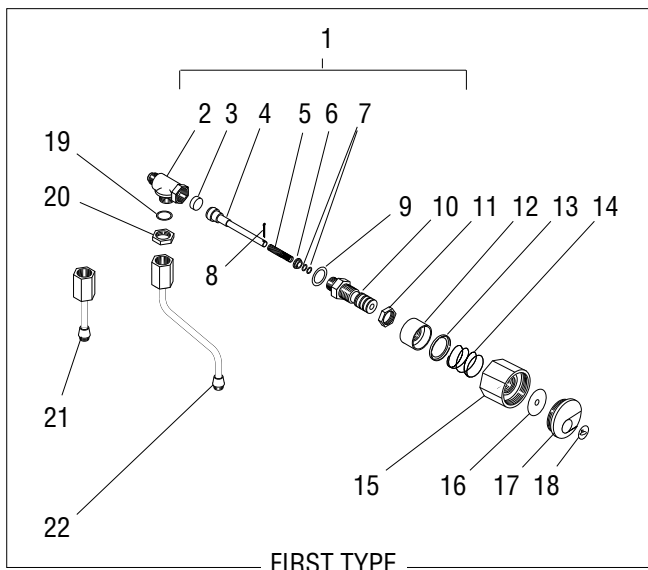
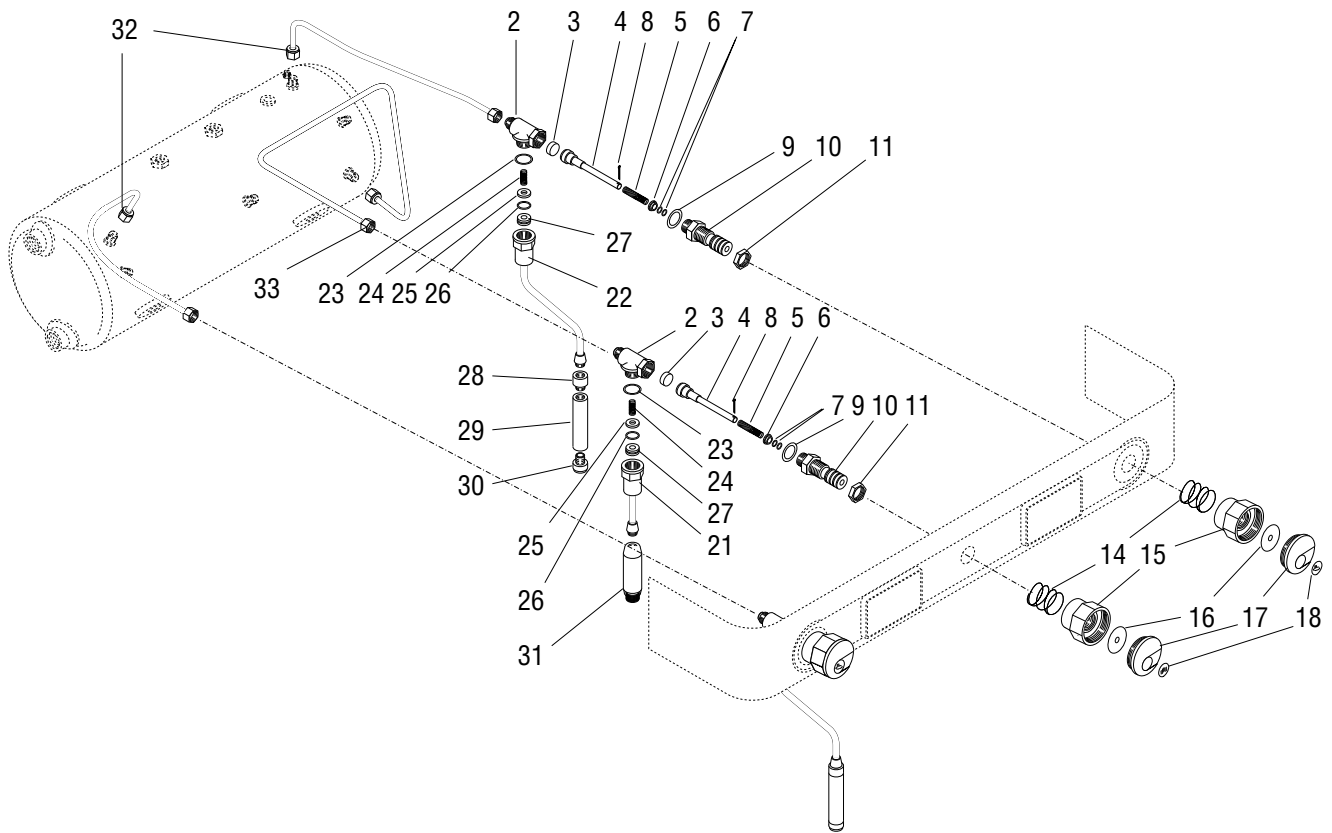


STEAM, HOT WATER VALVES AND PIPING

ITEM	PART NO.	QTY.	DESCRIPTION
			*FIRST TYPE
			**SECOND TYPE
1	25210.0000	3 -	Steam/Hot Water Valve Assembly (Includes items 2 thru 7, 9 & 10)
2	25197.0000	1 -	Valve Body
	26983.0000	- 3	Valve Body
3	25196.0000	1 3	Seat, Rubber
4	25195.0000	1 -	Plunger, Valve
	26984.0000	- 3	Plunger, Valve
5	25194.0000	1 3	Spring
6	25193.0000	1 -	Guide, Plunger
	26985.0000	- 3	Guide, Plunger
7	25192.0000	2 6	O-Ring, Plunger
8	25206.0000	1 3	Pin, Cotter
9	25191.0000	1 3	Washer, Sealing
10	25190.0000	1 -	Screw, Lead-Valve
	26986.0000	- 3	Screw, Lead-Valve
11	25200.0000	3 3	Nut, Hex
12	25201.0000	3 -	Collar, Plastic
13	25202.0000	3 -	Cup, Spring
14	25203.0000	3 3	Spring
15	25204.0000	3 -	Knob, Valve
	26994.0000	- 3	Knob, Valve
16	25205.0000	3 3	Washer, Flat
17	25207.0000	3 3	Cap, Knob
18	25208.0000	2 -	Label, Steam
	26987.0000	- 2	Label, Steam
	25209.0000	1 -	Label, Hot Water
	26988.0000	- 1	Label, Hot Water
19	22616.0000	3 -	O-Ring
20	25198.0000	3 -	Nut, Hex
21	25199.0000	1 -	Wand, Hot Water Faucet
	26990.0000	- 1	Wand, Hot Water Faucet
22	25375.0000	2 -	Wand, Steam Valve
	26989.0000	- 2	Wand, Steam Valve
23	27007.0000	- 3	Washer, Sealing
24	26993.0000	- 3	Spring

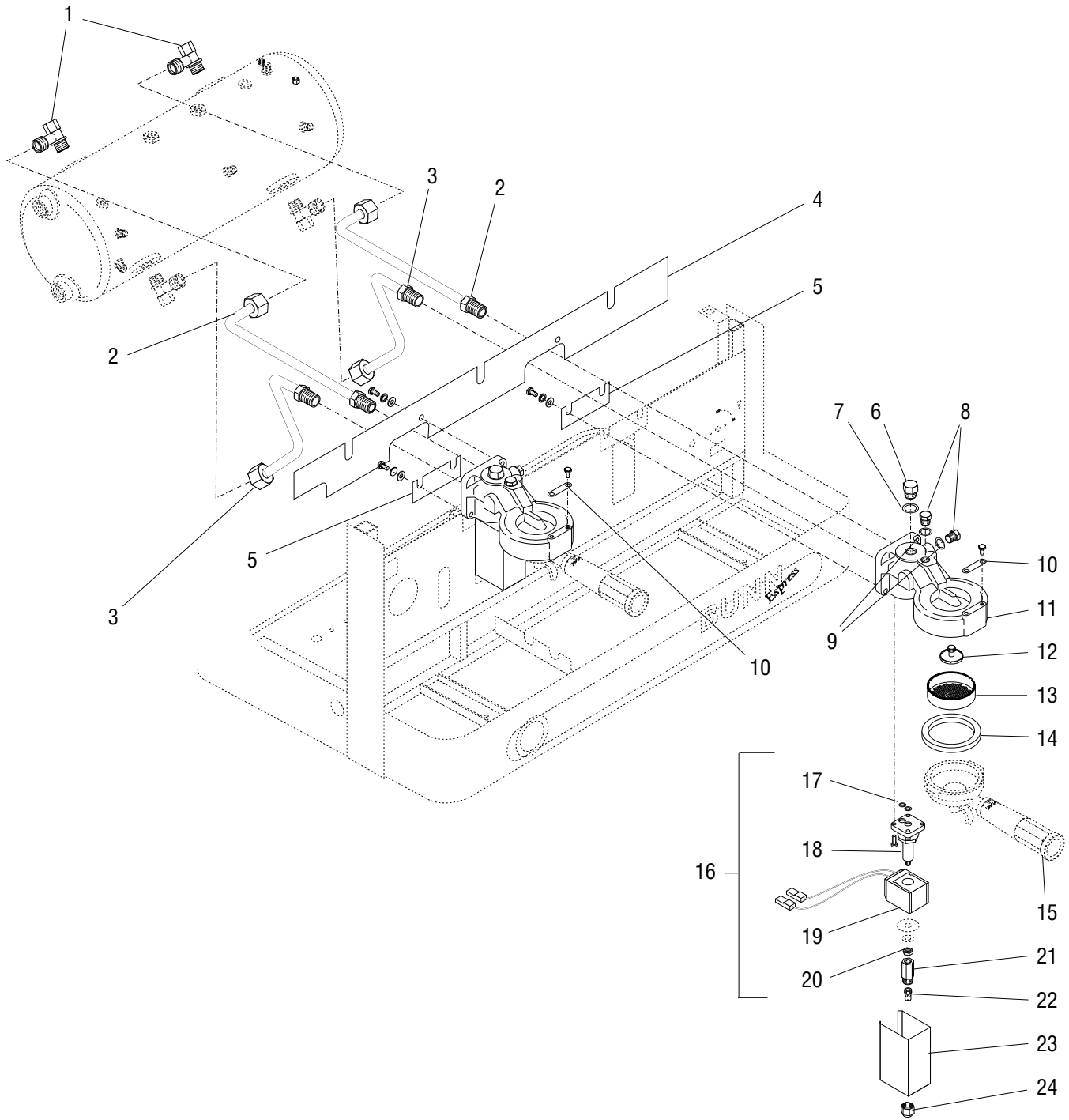
(Continued)

(Continued)



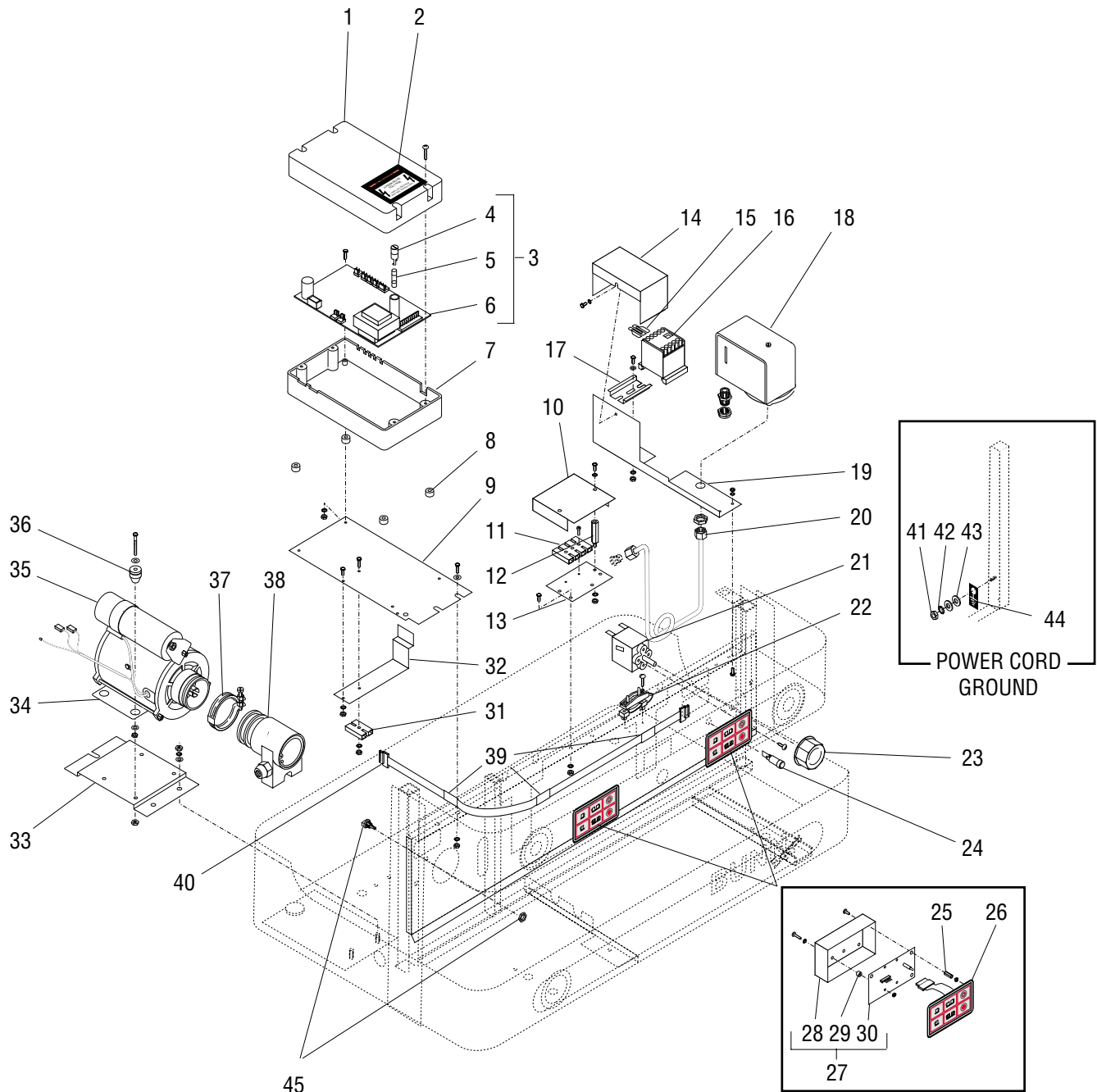
STEAM, HOT WATER VALVES AND PIPING

ITEM	PART NO.	QTY.	DESCRIPTION
			*FIRST TYPE
		* **	**SECOND TYPE
25	26992.0000	- 3	Washer, Flat
26	22573.0000	- 3	O-Ring
27	26991.0000	- 3	Retainer, O-Ring
28	24513.0000	2 2	Adapter, Tube
29	24465.0000	2 2	Tube, Steam .625" O.D. x 2.50" LG
30	24464.0000	2 2	Nozzle, Frothing 2-Hole
	24464.0001	2 2	Nozzle, Frothing 4-Hole
31	22844.0000	1 1	Nozzle, Hot Water
32	25275.0000	2 2	Tube Assembly, Tank to Steam Valve
33	25281.0000	1 1	Tube Assembly, Tank to Hot Water Valve



GROUP HEAD AND PIPING

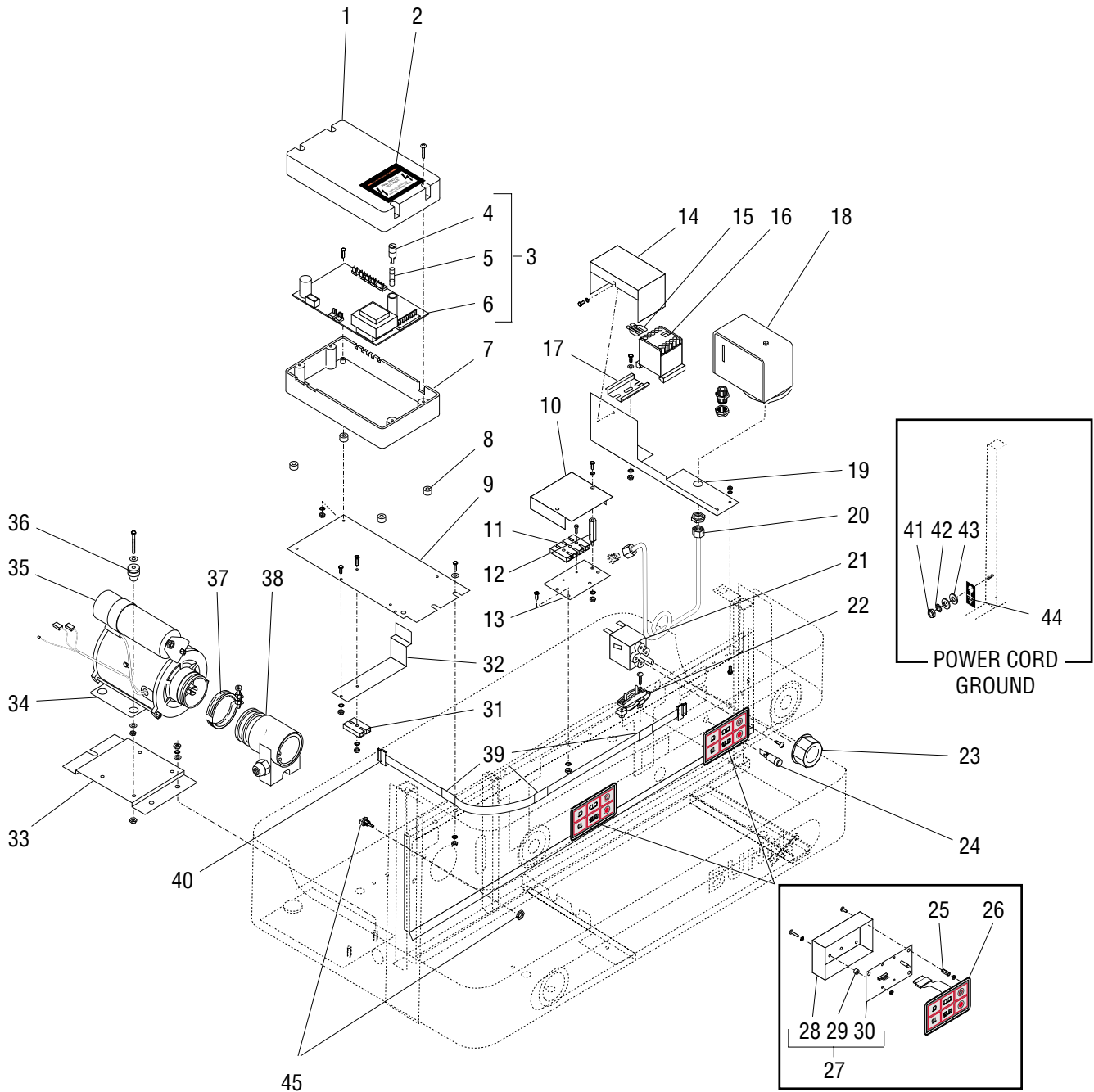
ITEM	PART NO.	QTY.	DESCRIPTION
1	25187.0000	2	Fitting, Upper Heat Exchanger
2	25273.0000	2	Tube Assembly, Upper Heat Exchanger to Group Head
3	25272.0000	2	Tube Assembly, Lower Heat Exchanger to Group Head
4	27388.0000	1	Plate, Closure
	24008.0001	2	Screw, M8 x 1.25 x 16mm
	25004.0000	2	Lockwasher, Split M8
	24028.0000	2	Washer, Flat M8
5	25812.0000	2	Spacer, Group Head Mounting
6	23590.0000	2	Plug M16 x 1.5 (Also order item 7)
7	22867.0000	2	Washer, Sealing
8	23591.0000	4	Plug, M12 x 1.25 (Also order item 9)
9	24030.0000	4	Washer, Sealing
10	25178.0000	2	Strap, Group Head Mounting
11	25177.0000	2	Group Head
	24008.0001	4	Screw, M8 x 1.25 x 16mm
	25004.0000	4	Lockwasher, Split M8
	24028.0000	4	Washer, Flat M8
12	25176.0000	2	Sprayhead, Plated
13	23593.0000	2	Screen Assembly
14	23594.0000	2	Gasket, Filter Holder
15	-----	2	Holder Assembly (See Filter Holder Assembly)
16	27750.1001	2	Solenoid Assembly Kit, 220V (Includes items 17 thru 20 and 25)
	24005.0400	8	Screw, Cheese Head M4 x 0.7 x 12mm
17	23596.0000	2	O-Ring
18	-----	1	Base, Solenoid (Not Available. Order item 16)
19	-----	1	Coil, 220V (Not available, order item 16)
20	24891.0000	1	Nut, M10 x 1.0
21	23583.0000	2	Fitting, Hex - Solenoid Discharge
22	23582.0000	2	Orifice, Solenoid Discharge
23	25175.0000	2	Cover, Solenoid
24	23581.0000	2	Nut, Solenoid Discharge
25	21000.0545	2	Lead, Elec - 18AWG BLK 20.00 Lg



ELECTRICAL AND OPERATING CONTROLS

ITEM	PART NO.	QTY.	DESCRIPTION
1	27010.0000	1	Cover W/Decal, Electronic Control Box (Includes item 2)
	24004.0701	2	Screw, Csk Pan Head-Self-Tapping M3.5 x 20mm
2	12652.0000	1	Decal, Warning - Hazardous Voltage
3	24616.0000	1	Electronic Control Assembly (Includes items 4, 5 & 6)
4	27036.0000	1	Retainer, Fuse
5	27035.0000	1	Fuse, 5amp
6	-----	1	Electronic Control Module (Order item 3)
7	24755.0000	1	Housing, Electronic Control
	24005.0004	4	Screw, Hex Head M4 x 0.7 x 20mm
	24025.0301	4	Lockwasher, External Tooth M4
	24045.0101	4	Nut, Hex M4 x 0.7
8	27082.0000	4	Spacer, Brass
9	25221.0000	1	Plate, Electronic Control Mounting
	24005.0004	2	Screw, Hex Head M4 x 0.7 x 20mm
	24025.0000	2	Washer, Flat M4
	24025.0301	2	Lockwasher, External Tooth M4
	24045.0101	2	Nut, Hex M4 x 0.7
10	25224.0000	1	Cover, Terminal Block
	24005.0002	2	Screw, Hex Head M4 x 0.7 x 10mm
	24025.0301	2	Lockwasher, External Tooth M4
11	25226.0000	1	Terminal Block, 8 wire
	24003.0400	2	Screw, Slotted Cheese Head M3 x 0.5 x 10mm
12	25225.0000	2	Spacer, Terminal Block Cover
	24026.0300	2	Lockwasher, External Tooth M5
	24046.0100	2	Nut, Hex M5 x 0.8
13	25227.0000	1	Plate, Terminal Block Mounting
	24005.0002	2	Screw, Hex Head M4 x 0.7 x 10mm
	24025.0301	2	Lockwasher, External Tooth M4
	24045.0101	2	Nut, Hex M4 x 0.7
14	25228.0000	1	Cover, Contactor
	24005.0002	1	Screw, Hex Head M4 x 0.7 x 10mm
	24025.0301	1	Lockwasher, External Tooth M4
15	25033.0000	5	Bridge, Terminal
16	25032.0000	1	Contactor
17	25230.0000	1	Bracket, Contactor Mounting
	24007.0001	1	Screw, Hex Head M6 x 1.0 x 12mm
	24027.0000	1	Washer, Flat M6
	24047.0400	1	Nut, Keps M6 x 1.0
18	24851.0000	1	Switch Assembly, Pressure-Heater Control (Includes nut and cable clamp)

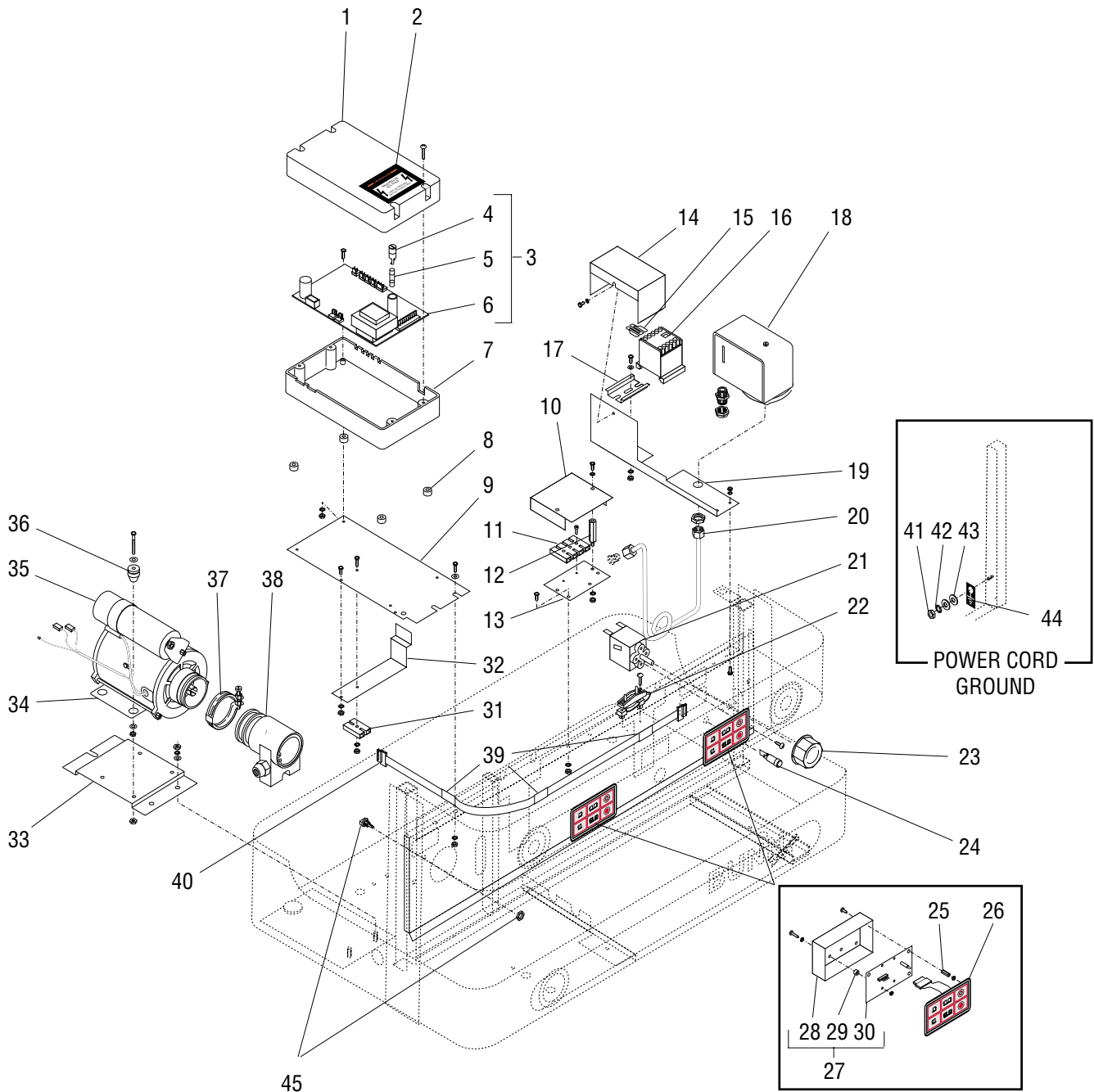
(Continued)



ELECTRICAL AND OPERATING CONTROLS

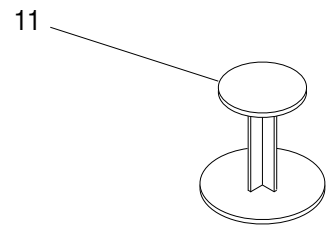
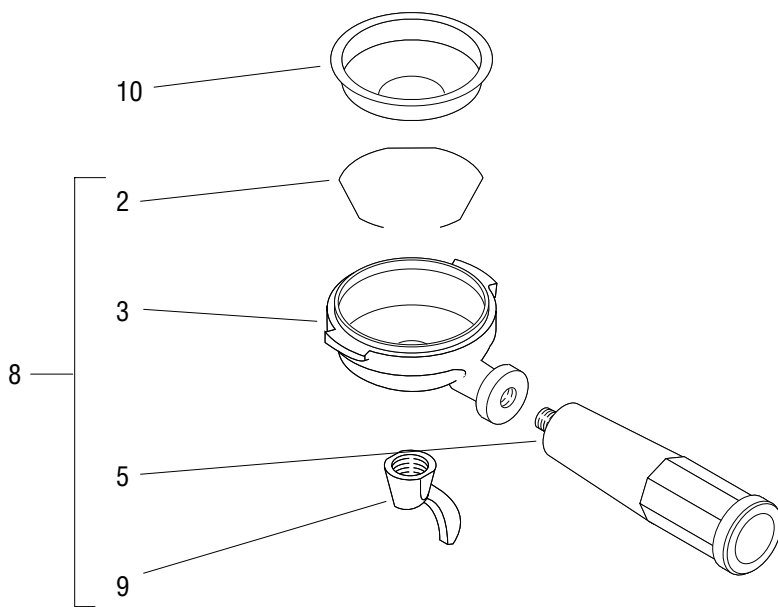
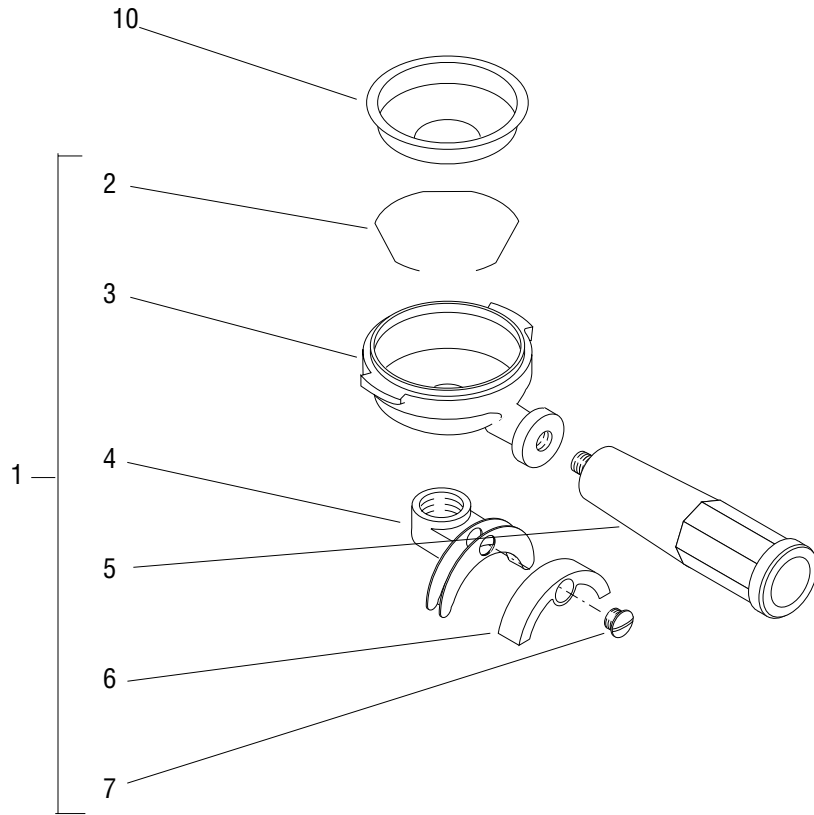
ITEM	PART NO.	QTY.	DESCRIPTION
19	27376.0000	1	Bracket, Contactor and Pressure Switch Mounting
	24005.0004	2	Screw, Hex Head M4 x 0.7 x 20mm
	24025.0301	2	Lockwasher, External Tooth M4
	24045.0101	2	Nut, Hex M4 x 0.7
20	25277.0000	1	Tube Assembly, Tank to Pressure Switch
21	25223.0000	1	Switch, ON/OFF
	23935.0000	2	Screw, Pan Head Self-Tapping M3.5 x 7mm
22	23635.0000	1	Clamp, Cable (Includes Screws)
	24004.0800	2	Screw, Pan Head Self-Tapping M3.5 x 25mm
23	23566.0000	1	Knob, ON/OFF Switch
24	25217.0000	1	Lamp Assembly, Indicator
25	25233.0000	6	Spacer, Selector Switch
26	25232.0000	2	Switch Assembly, Selector
	24044.0000	8	Nut, Hex Brass M3.5 x 0.6
27	25234.0000	2	Circuit Board & Cover Assembly, (Includes Items 28, 29 & 30)
	22899.0000	6	Screw, Round Head #6-40 x .187"
28	27377.0000	1	Cover, Circuit Board Assembly
29	27080.0000	8	Spacer, Circuit Board
30	-----	2	Circuit Board Assembly (Not Available. Order item 27)
	24003.1000	8	Screw, Pan Head Cross Recessed M3 x 0.5 x 8mm
	24023.0300	8	Lockwasher, External Tooth M3
	24043.0100	8	Nut, Hex M3 x 0.5
31	27378.0000	1	Terminal Block, 4 wire
32	27379.0000	1	Cable Protector, Electronic Module
	24005.0004	1	Screw, Hex Head M4 x 0.7 x 20mm
	24005.0002	1	Screw, Hex Head M4 x 0.7 x 10mm
	24025.0301	2	Lockwasher, External Tooth M4
	24045.0101	2	Nut, Hex M4 x 0.7
33	25239.0000	1	Plate, Motor Mounting
	24026.0001	2	Washer, Flat M5
	24026.0300	2	Lockwasher, External Tooth M5
	24046.0100	2	Nut, Hex M5 x 0.8
34	25236.0000	1	Motor Assembly, 220V
	24006.0003	4	Screw, Hex Head M5 x 0.8 x 30mm
	24026.0002	8	Washer, Flat M5 x 20mm O.D.
	24046.0400	8	Nut, Hex Keps M5 x 0.8
35	23672.0000	1	Capacitor, Motor 220V
36	26697.0000	4	Grommet, Motor Mounting
37	23639.0000	1	Clamp, Pump Mounting
38	25525.0001	1	Pump Assembly, Rotary

(Continued)



ELECTRICAL AND OPERATING CONTROLS

ITEM	PART NO.	QTY.	DESCRIPTION	
39	27380.0000	3	Clip, Ribbon Cable	
40	22874.0000	1	Ribbon Cable Assembly	
41	24045.0101	1	Nut, Hex M4 x 0.7	
42	24025.0300	1	Lockwasher, External Tooth M4	
43	24045.0000	2	Washer, Flat M4	
44	27079.0000	1	Decal, Ground	
45	24264.0000	1	Switch Assembly, Toggle - Programming	
46	22963.0000	1	Power Cord	<div style="display: flex; align-items: center; justify-content: center;"> <div style="border-left: 1px solid black; border-right: 1px solid black; border-top: 1px solid black; border-bottom: 1px solid black; width: 20px; height: 100px; margin-right: 5px;"></div> <div style="text-align: center;"> <p>Not Illustrated</p> </div> </div>
47	27381.0000	1	Main Wiring Harness	
48	27382.0000	1	Lead, Blue - Contactor to Pressure Switch	
49	27383.0000	1	Lead, Brown - Contactor to Pressure Switch	
50	27384.0000	1	Lead, Blue - Pressure Switch to Tank Heater	
51	27385.0000	1	Lead, Brown - Pressure Switch to Tank Heater	
52	25603.0000	1	Plug, Power Cord - LKG 20A 250V (NEMA L6-20P)	



FILTER HOLDER ASSEMBLY

ITEM	PART NO.	QTY.	DESCRIPTION
1	23549.0000	1	Filter Holder Assembly, 2 Cup (Includes items 2 Thru 7)
2	22819.0000	1	Wire, Filter Support
3	23632.0000	1	Holder, Filter
4	23551.0000	1	Nozzle, Dispense - 2 Cup
5	23644.0000	1	Handle, Filter
6	23550.0000	1	Cover, 2 Cup Dispense Nozzle
7	23932.0000	1	Screw, 2 Cup Dispense Nozzle Cover
8	23548.0000	1	Filter Holder Assembly, 1 Cup (Includes items 2,3, 5 &9)
9	23547.0000	1	Nozzle, Dispense - 1 Cup
10	27511.0000	1	Filter, 1 Cup
	23546.0000	1	Filter, 2 Cup
11	23441.0000	1	Tamper
12	23544.0000	1	Cup, Pressure Test - No Holes (Not Illustrated)

NUMERICAL INDEX

PART NO.	PAGE NO.	PART NO.	PAGE NO.	PART NO.	PAGE NO.	PART NO.	PAGE NO.
00502.0000	7	23632.0000	31	24465.0000	21	25221.0000	25
00656.0000	7	23634.0000	13	24513.0000	21	25223.0000	27
00986.0002	7	23635.0000	27	24616.0000	25	25224.0000	25
01975.0001	11	23639.0000	27	24664.1000	9	25225.0000	25
03236.1001	15	23644.0000	31	24682.0000	11	25226.0000	25
03996.0000	7	23672.0000	27	24683.0000	11	25227.0000	25
12652.0000	25	23820.1000	11	24684.0000	11	25228.0000	25
13255.0002	7	23932.0000	31	24744.0000	15	25230.0000	25
21000.0524	11	23933.0000	13	24755.0000	25	25232.0000	27
21000.0545	23	23934.0000	9	24851.0000	25	25233.0000	27
22249.0000	11	23935.0000	27	24891.0000	23	25234.0000	27
22573.0000	13,21	24003.0400	25	25004.0000	23	25235.0000	11
22603.0000	15	24003.1000	27	25008.0000	9	25236.0000	27
22616.0000	19	24004.0701	25	25032.0000	25	25239.0000	27
22668.0000	11	24004.0800	27	25033.0000	25	25241.0000	13
22675.0000	11	24005.0002	9,11,25,27	25035.0000	9	25242.0000	13
22676.0000	11	24005.0004	25,27	25165.0000	13	25243.0000	13
22723.0000	7	24005.0400	23	25166.0000	7	25244.0000	13
22742.0000	7	24006.0000	7	25167.0000	5	25245.0000	13
22775.0000	11	24006.0003	27	25168.0000	5	25246.0000	13
22814.0000	9	24006.0401	5	25169.0000	5	25247.0000	13
22819.0000	31	24007.0001	25	25170.0000	5	25248.0000	15
22844.0000	21	24008.0001	23	25171.0000	7	25249.0000	13
22867.0000	23	24023.0300	27	25172.0000	7	25250.0000	15
22868.0000	11	24025.0000	9,25	25173.0000	7	25251.0000	13
22874.0000	29	24025.0300	29	25174.0000	7	25252.0000	13
22899.0000	27	24025.0301	9,25,27	25175.0000	23	25253.0000	13
22963.0000	29	24026.0000	7	25176.0000	23	25254.0000	13
23271.0000	11	24026.0001	27	25177.0000	23	25255.0000	13
23441.0000	31	24026.0002	27	25178.0000	23	25256.0000	13
23544.0000	31	24026.0300	25,27	25186.0000	9	25257.0000	13
23546.0000	31	24027.0000	25	25187.0000	23	25258.0000	13
23547.0000	31	24028.0000	23	25188.0000	9	25259.0000	13
23548.0000	31	24029.0000	9	25190.0000	19	25260.0000	13
23549.0000	31	24030.0000	23	25191.0000	19	25261.0000	13
23550.0000	31	24030.0001	9	25192.0000	19	25262.0000	13
23551.0000	31	24043.0100	27	25193.0000	19	25263.0000	13
23560.0000	13	24044.0000	27	25194.0000	19	25264.0000	13
23566.0000	27	24045.0000	29	25195.0000	19	25265.0000	13
23567.0001	11	24045.0101	9,13,25,27,29	25196.0000	19	25266.0000	13
23581.0000	23	24046.0000	7	25197.0000	19	25267.0000	11
23582.0000	23	24046.0100	25,27	25198.0000	19	25268.0000	11
23583.0000	23	24046.0400	27	25199.0000	19	25269.0000	11
23586.0000	9,15	24047.0100	5	25200.0000	19	25270.0000	11
23590.0000	23	24047.0400	25	25201.0000	19	25271.0002	17
23591.0000	23	24210.0000	17	25202.0000	19	25272.0000	23
23593.0000	23	24211.0000	17	25203.0000	19	25273.0000	23
23594.0000	23	24212.0000	17	25204.0000	19	25274.0000	9
23596.0000	23	24246.0000	7	25205.0000	19	25275.0000	21
23598.0000	9	24247.0000	7	25206.0000	19	25276.0000	17
23600.0001	9	24264.0000	29	25207.0000	19	25277.0000	27
23602.0001	9	24267.0000	17	25208.0000	19	25278.0000	11
23603.0000	9	24284.0000	17	25209.0000	19	25279.0000	15
23609.0001	11	24386.0000	11	25210.0000	19	25280.0000	15
23624.0000	11	24464.0000	21	25217.0000	27	25281.0000	21
23628.0000	9	24464.0001	21	25220.0000	9	25375.0000	19

NUMERICAL INDEX

PART NO.	PAGE NO.	PART NO.	PAGE NO.	PART NO.	PAGE NO.	PART NO.	PAGE NO.
25525.0001	27						
25603.0000	29						
25812.0000	23						
26209.0000	9						
26476.0000	7						
26477.0000	5						
26477.0001	5						
26479.0000	7						
26697.0000	27						
26884.0001	11						
26983.0000	19						
26984.0000	19						
26985.0000	19						
26986.0000	19						
26987.0000	19						
26988.0000	19						
26989.0000	19						
26990.0000	19						
26991.0000	21						
26992.0000	21						
26993.0000	19						
26994.0000	19						
27007.0000	19						
27010.0000	25						
27035.0000	25						
27036.0000	25						
27079.0000	29						
27080.0000	27						
27082.0000	25						
27372.0000	11						
27373.0000	7						
27374.0000	7						
27375.0000	11						
27376.0000	27						
27377.0000	27						
27378.0000	27						
27379.0000	27						
27380.0000	29						
27381.0000	29						
27382.0000	29						
27383.0000	29						
27384.0000	29						
27385.0000	29						
27387.0000	7						
27388.0000	23						
27511.0000	31						
27750.1001	23						