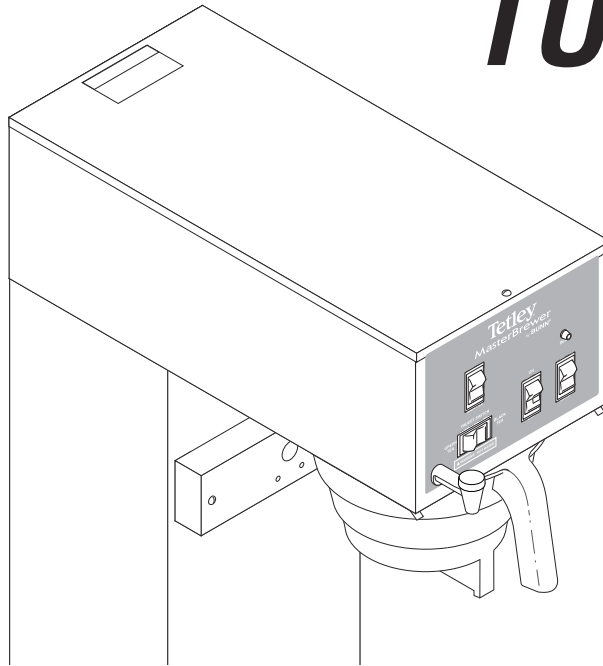


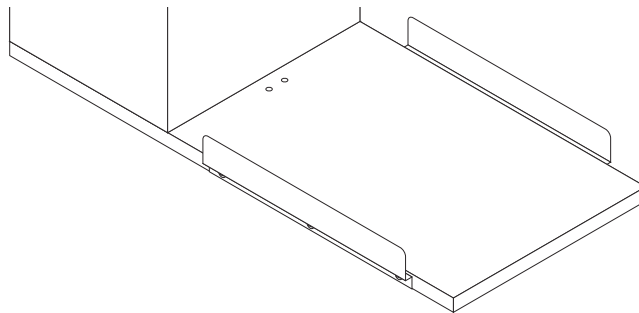
BUNN®

TU3QF-EZ



DISCONTINUED VERSION

**Parts listed in this catalog
may no longer be available.**



ILLUSTRATED PARTS CATALOG

Designs, materials, weights, specifications, and dimensions for equipment or replacement parts are subject to change without notice.

BUNN-O-MATIC CORPORATION

POST OFFICE BOX 3227

SPRINGFIELD, ILLINOIS 62708-3227

PHONE: (217) 529-6601 FAX: (217) 529-6644

WARRANTY

Bunn-O-Matic Corp. ("Bunn") warrants the equipment manufactured by it to be commercially free from defects in material and workmanship existing at the time of manufacture and appearing within one year from the date of installation. In addition:

1.) Bunn warrants electronic circuit and/or control boards to be commercially free from defects in material and workmanship for three years from the date of installation.

2.) Bunn warrants the compressor on refrigeration equipment to be commercially free from defects in material and workmanship for two years from the date of installation.

3.) Bunn warrants that the grinding burrs on coffee grinding equipment will grind coffee to meet original factory screen sieve analysis for three years from date of installation or for 30,000 pounds of coffee, whichever comes first.

This warranty does not apply to any equipment, component or part that was not manufactured by Bunn or that, in Bunn's judgement, has been affected by misuse, neglect, alteration, improper installation or operation, improper maintenance or repair, damage or casualty.

THE FOREGOING WARRANTY IS EXCLUSIVE AND IS IN LIEU OF ANY OTHER WARRANTY, WRITTEN OR ORAL, EXPRESS OR IMPLIED, INCLUDING, BUT NOT LIMITED TO, ANY IMPLIED WARRANTY OF EITHER MERCHANTABILITY OR FITNESS FOR A PARTICULAR PURPOSE. The agents, dealers or employees of Bunn are not authorized to make modifications to this warranty or to make additional warranties that are binding on Bunn. Accordingly, statements by such individuals, whether oral or written, do not constitute warranties and should not be relied upon.

The Buyer shall give Bunn prompt notice of any claim to be made under this warranty by telephone at (217) 529-6601 or by writing to Post Office Box 3227, Springfield, Illinois, 62708-3227. If requested by Bunn, the Buyer shall ship the defective equipment prepaid to an authorized Bunn service location. If Bunn determines, in its sole discretion, that the equipment does not conform to the warranty, Bunn shall repair the equipment with no charge for parts during the warranty period and no charge for labor by a Bunn Authorized Service Representative during the warranty period. If Bunn determines that repair is not feasible, Bunn shall, at its sole option, replace the equipment or refund the purchase price for the equipment.

THE BUYER'S REMEDY AGAINST BUNN FOR THE BREACH OF ANY OBLIGATION ARISING OUT OF THE SALE OF THIS EQUIPMENT, WHETHER DERIVED FROM WARRANTY OR OTHERWISE, SHALL BE LIMITED, AS SPECIFIED HEREIN, TO REPAIR OR, AT BUNN'S SOLE OPTION, REPLACEMENT OR REFUND.

In no event shall Bunn be liable for any other damage or loss, including, but not limited to, lost profits, lost sales, loss of use of equipment, claims of Buyer's customers, cost of capital, cost of down time, cost of substitute equipment, facilities or services, or any other special, incidental or consequential damages.

TABLE OF CONTENTS

Electrical and Operating Controls..... 14

Funnel Assembly 16

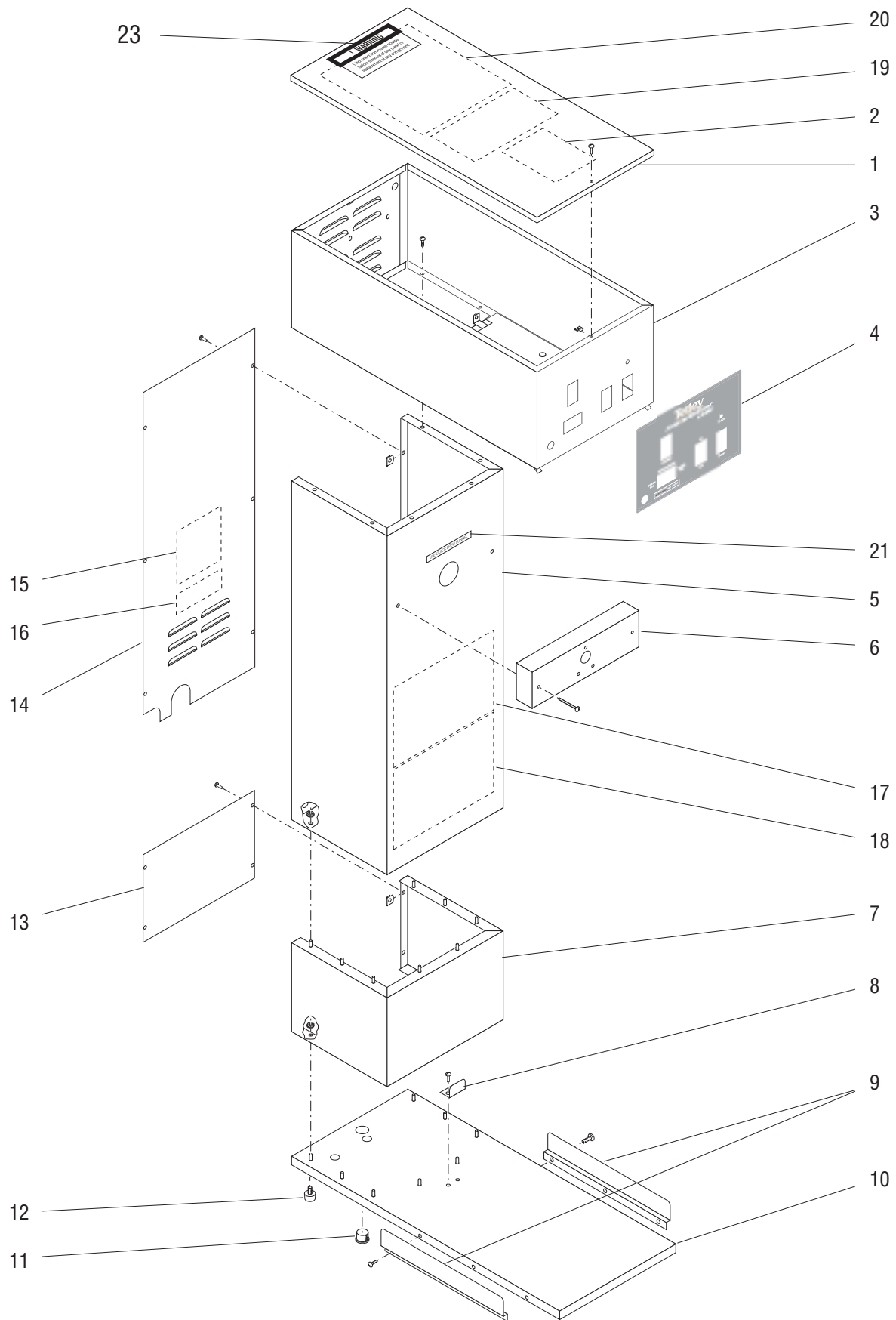
Numerical Index..... 18

Strainer/Flow Control, Solenoids and Lines 10

Tank & Mounting Brackets 6

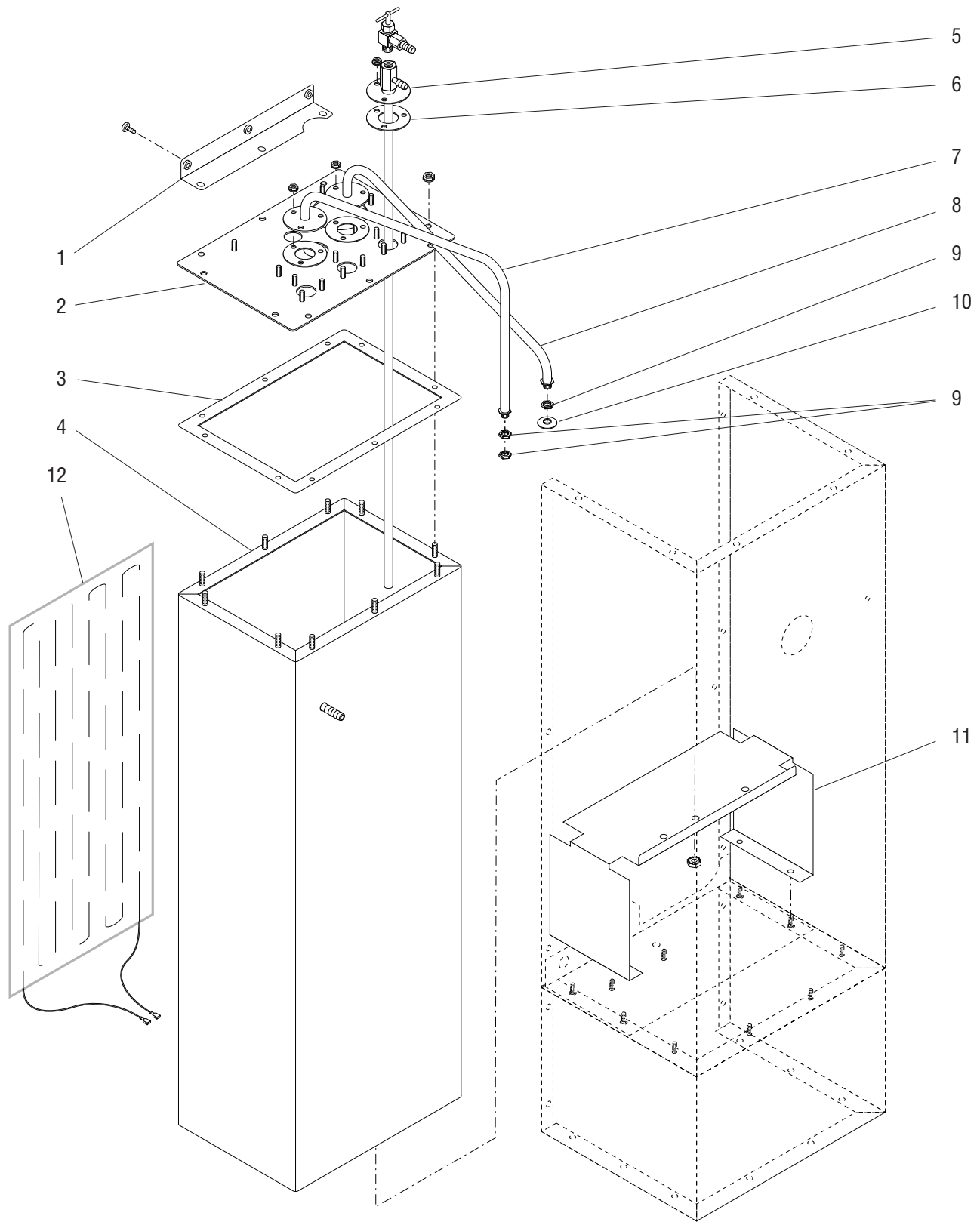
Tank Heater & Overflow Protection Devices 8

Top Cover, Hood, Trunk, Base and Panels 4



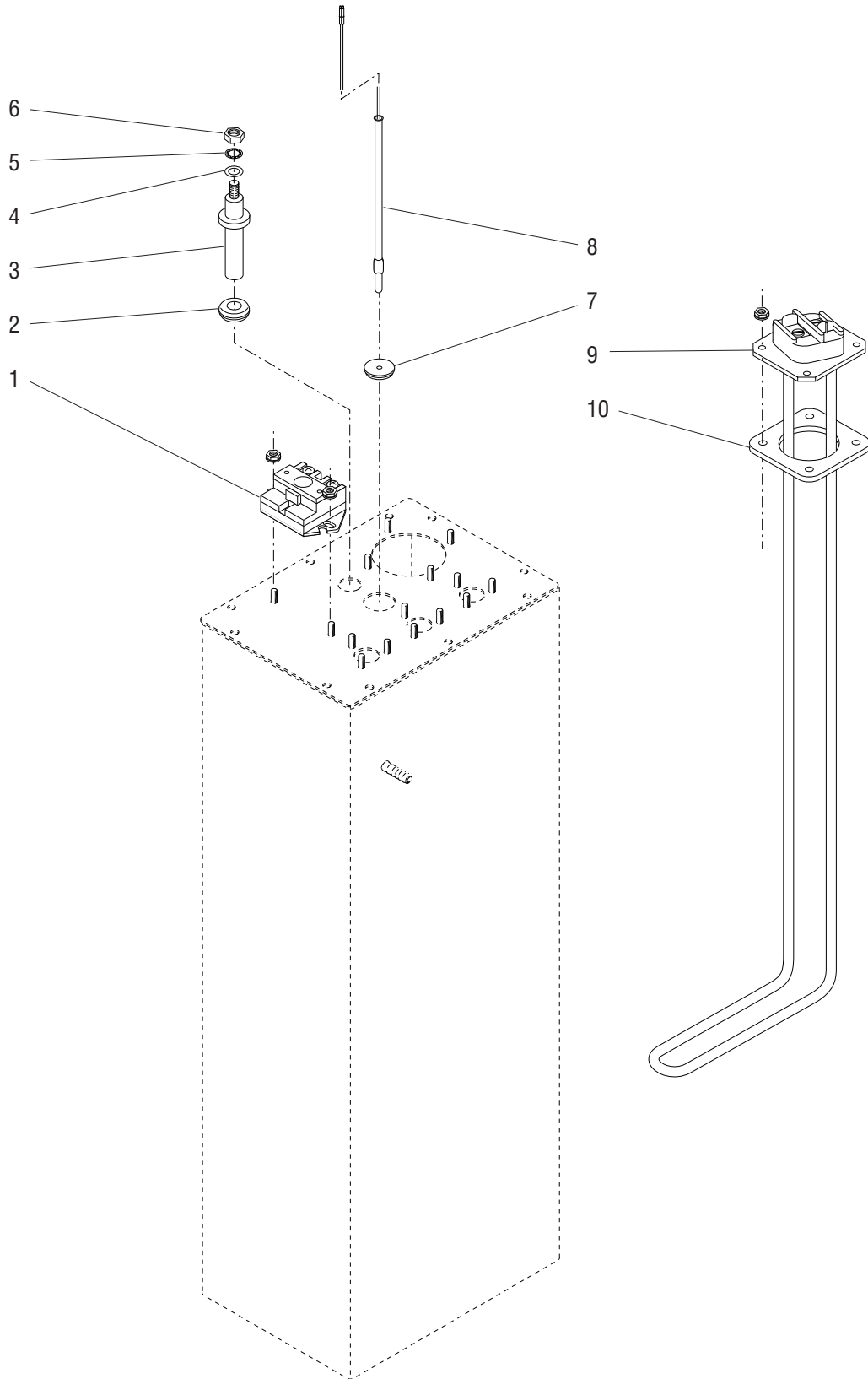
TOP COVER, HOOD, TRUNK, BASE AND PANELS

ITEM	PART NO.	QTY.	DESCRIPTION
1	32991.1001	1	Cover W/Decals, Top (Includes item 2, 19 & 20)
	02336.0000	1	Screw, Truss Head #4-40 x .375"
	00916.0000	1	Fastener, J-Type #4-40
2	33031.0000	1	Schematic, Electrical 120V
3	-----	1	Hood (Early Models)(Order Late Model Hood)
	33286.0001	1	Hood (Late Models)(Also order item 4)
	02308.0000	6	Screw, Pan Head #8-32 x .375"
4	32942.0000	1	Decal, Hood-Switch
5	-----	1	Trunk (Early Models)(Order Late Model Trunk)
	33288.0001	1	Trunk (Late Models) (Also order items 17 & 18)
	00970.0000	8	Nut, Hex Keps #8-32
6	33022.0001	1	Housing, Nozzle Mounting
	01384.0000	2	Screw, Truss Head #8-32 x 1.50"
7	33010.0002	1	Housing, Trunk Extension 6.1" HT
	00970.0000	8	Nut, Hex Keps #8-32
8	03770.0000	1	Bracket, Stop
	01315.0000	2	Screw, Truss Head #8-32 x .375"
9	03772.0000	2	Guide, Base
	01317.0003	6	Screw, Pan Head - Locking #8-32 x .375"
10	-----	1	Base (Not available)
11	00668.0000	1	Plug, Hole .75" Dia.
12	25137.0001	4	Foot .75" O.D. x .44" HT (See item 22)
13	33024.0001	1	Cover, Trunk Extension - Rear 6.1" HT
	01315.0000	4	Screw, Truss Head #8-32 x .375"
	00917.0000	4	Fastener, J-Type #8-32
14	-----	1	Panel, Trunk (Early Models)(Order Late Model Panel)
	33284.1001	1	Panel W/Decals, Trunk (Late Models)(Includes items 15 & 16)
	01315.0000	6	Screw, Truss Head #8-32 x .375"
	00917.0000	6	Fastener, J-Type #8-32
15	00831.0000	1	Decal, Electrical Warning
16	00656.0000	1	Decal, Comply With Plumbing Code
17	27294.0000	1	Decal, Service, Cleaning & Sanitizing
18	27294.0002	1	Decal, Service, Cleaning & Sanitizing (Spanish)
19	29167.0000	1	Decal, Brew Temperature Lockout
20	29206.0002	1	Decal, Diagnostic
21	03537.0000	1	Decal, Use Quick Brew Funnel
22	24600.0000	-	Kit, Foot (Includes four feet)
23	10044.0000	1	Decal, Warning "Shut Off Power"



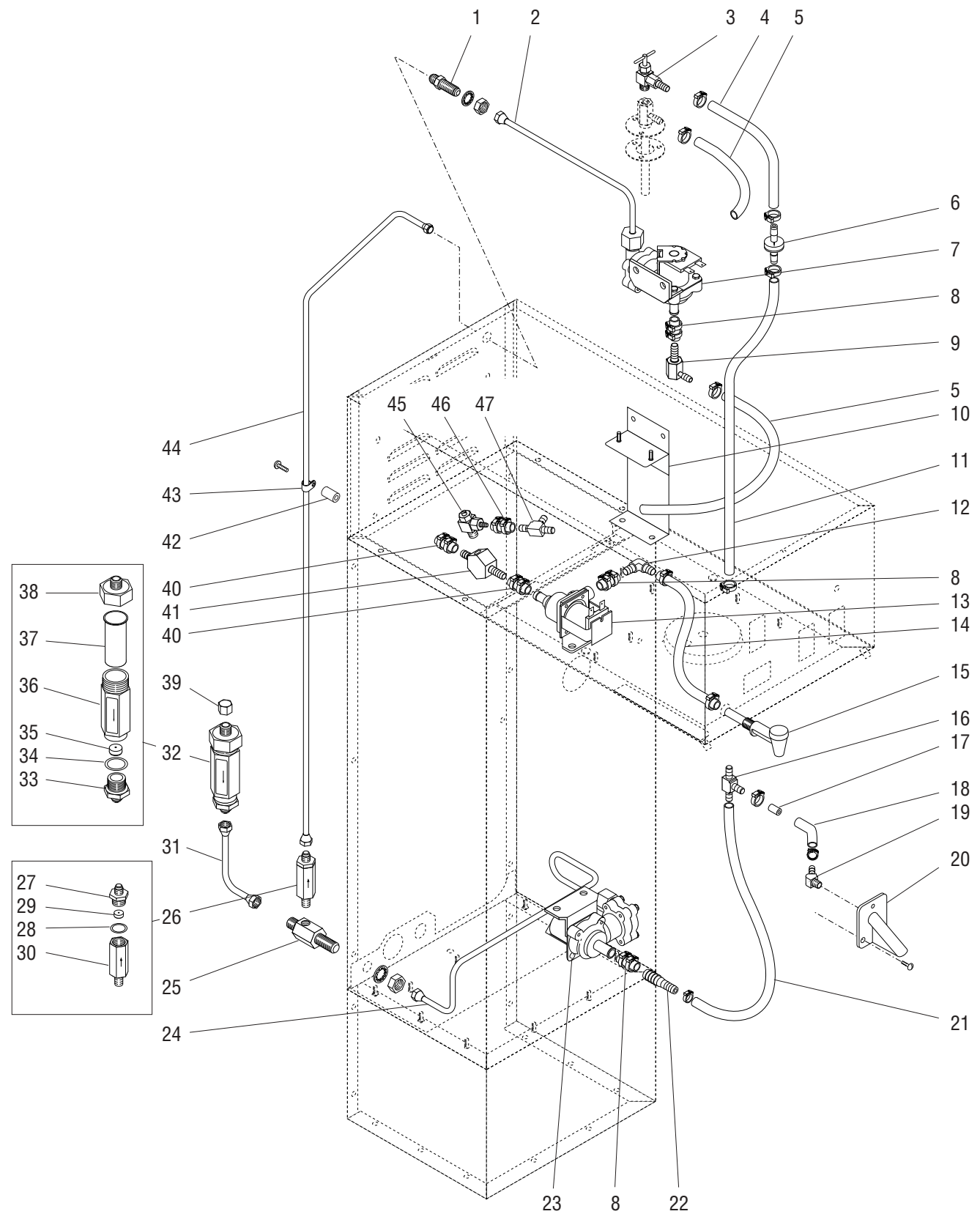
TANK AND MOUNTING BRACKETS

ITEM	PART NO.	QTY.	DESCRIPTION
1	33013.0000	1	Support
	01315.0000	3	Screw, Truss Head #8-32 x .375"
2	33017.0000	1	Tank Lid
	00908.0000	10	Nut, Hex #8-32
3	22978.0000	1	Gasket
4	-----	1	Tank Assy. (Not serviced separately)
	00908.0000	3	Nut, Hex #8-32
5	33005.0000	1	Tube, Fill
	00908.0000	3	Nut, Hex #8-32
6	05515.0000	3	Gasket
7	33001.0000	1	Tube, Vent
	00908.0000	3	Nut, Hex #8-32
8	32998.0000	1	Tube, Sprayhead
	00908.0000	3	Nut, Hex #8-32
9	01075.0000	3	Nut, Hex .438"-20
10	01082.0004	1	Sprayhead, 5 Hole
11	32979.0000	1	Support, Tank
	00970.0000	4	Nut, Hex Keps #8-32
12	33558.0000	1	Blanket Warmer, 100W 120V



TANK HEATER & OVERFLOW PROTECTION DEVICES

ITEM	PART NO.	QTY.	DESCRIPTION
1	23717.0001	1	Limit Thermostat
	00908.0000	2	Nut, Hex #8-32
2	02536.0000	1	Grommet
3	33139.1000	1	Probe Kit (Includes items 4, 5 & 6)
4	01501.0000	1	Washer
5	20203.0100	1	Lockwasher, Internal Tooth #8
6	00908.0000	1	Nut, Hex #8-32
7	12570.0000	1	Grommet
8	28891.0000	1	Temperature Probe
9	12524.1001	1	Tank Heater Kit 1600W, 120V (Includes item 10)
	00908.0000	4	Nut, Hex #8-32
10	12398.0002	1	Gasket

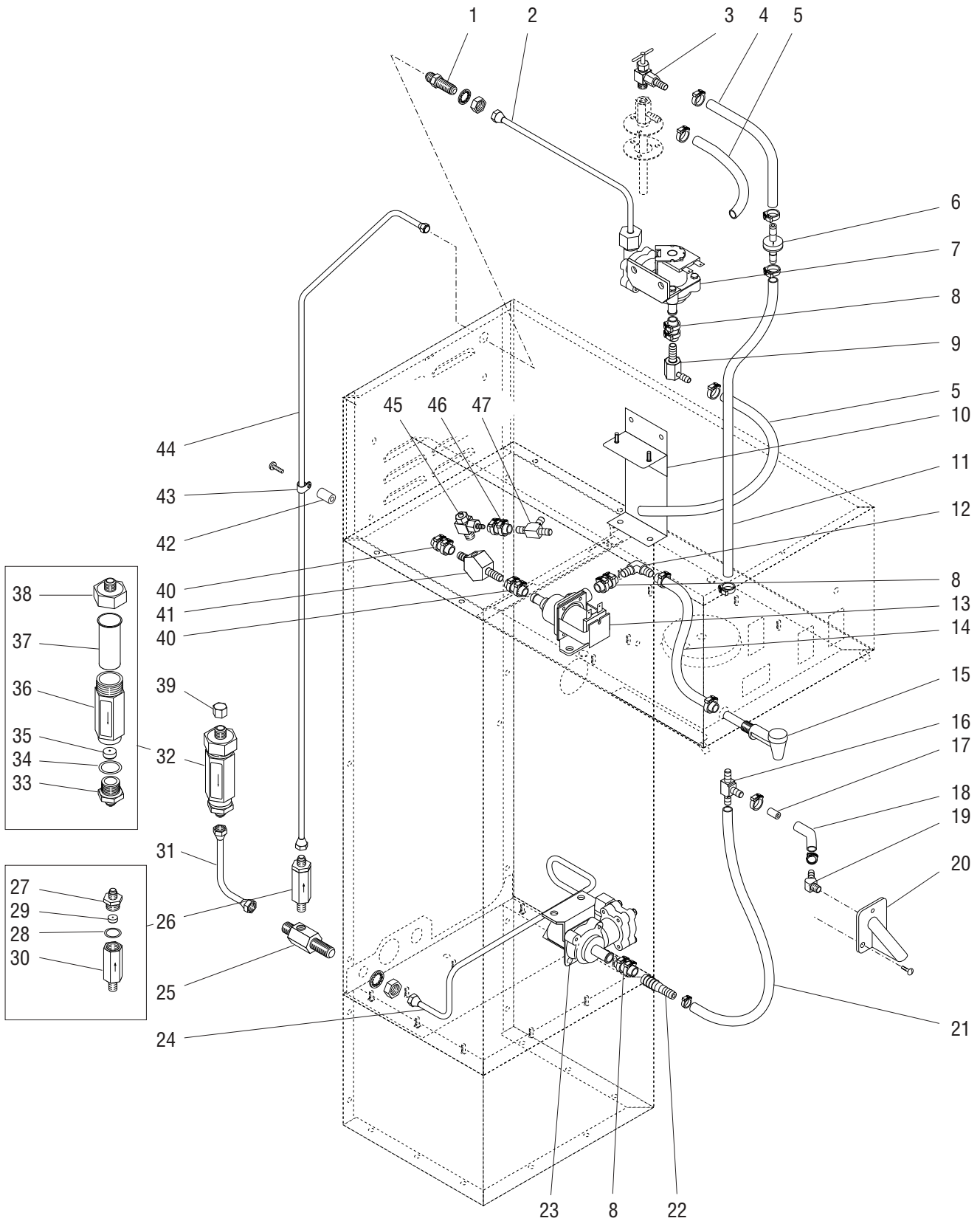


STRAINER, SOLENOID & LINES

ITEM	PART NO.	QTY.	DESCRIPTION
1	00459.0000	1	Fitting, Bulkhead
	01532.0000	1	Lockwasher, Internal Tooth .375"
	00463.0000	1	Nut, Hex .375"-20
2	-----	1	Tube (Not available)
3	20945.0003	1	Valve, Needle
4	-----	1	Tube .25" ID x 4.75" (Order item 50)
	12422.0000	2	Clamp
5	-----	2	Tube .188" ID x 7.00" (Order item 51)
	-----	4	Clamp (Not available)
6	33027.0000	1	Valve, Check
7	26135.0003	1	Valve, Solenoid
	00938.0000	2	Fastener
	02308.0000	2	Screw, Pan Head #8-32 x .375"
8	-----	3	Tube .375" ID x 1.60" (Order item 52)
	12422.0001	6	Clamp
9	-----	1	Elbow (Not available)
10	32985.0000	1	Bracket
	00908.0000	2	Nut, Hex #8-32
11	-----	1	Tube .25" ID x 8.25" (Order item 50)
	12422.0000	2	Clamp
12	32974.0001	1	Elbow, Barb
13	27370.0000	1	Valve, By-pass
	00970.0000	2	Nut, Keps #8-32
14	-----	1	Tube .313" ID x 9.00" (Order item 53)
	12422.0001	2	Clamp
15	-----	1	Faucet (Not available)
	29264.0000	1	Nut
16	22150.0001	1	Tee, Barb
17	33036.0000	1	Restrictor, Flow Control
18	-----	1	Tube .25" ID x 1.75" (Order item 50)
	12422.0000	2	Clamp
19	33008.0001	1	Elbow 45°
20	03717.0000	1	Nozzle, Dilution
	01382.0000	3	Screw, Truss Head, Serrated #6-32 x .375"
21	-----	1	Tube .25" ID x 19.0" (Order item 50)
	12422.0000	2	Clamp
22	26443.0000	1	Reducer, Barb .375" x .25"
23	26135.0003	1	Valve, Solenoid
24	32986.0000	1	Tube
25	32959.0000	1	Fitting, Bulkhead Tee
	01532.0000	1	Lockwasher, Internal Tooth .375"
	00463.0000	1	Nut, Hex .375"-20

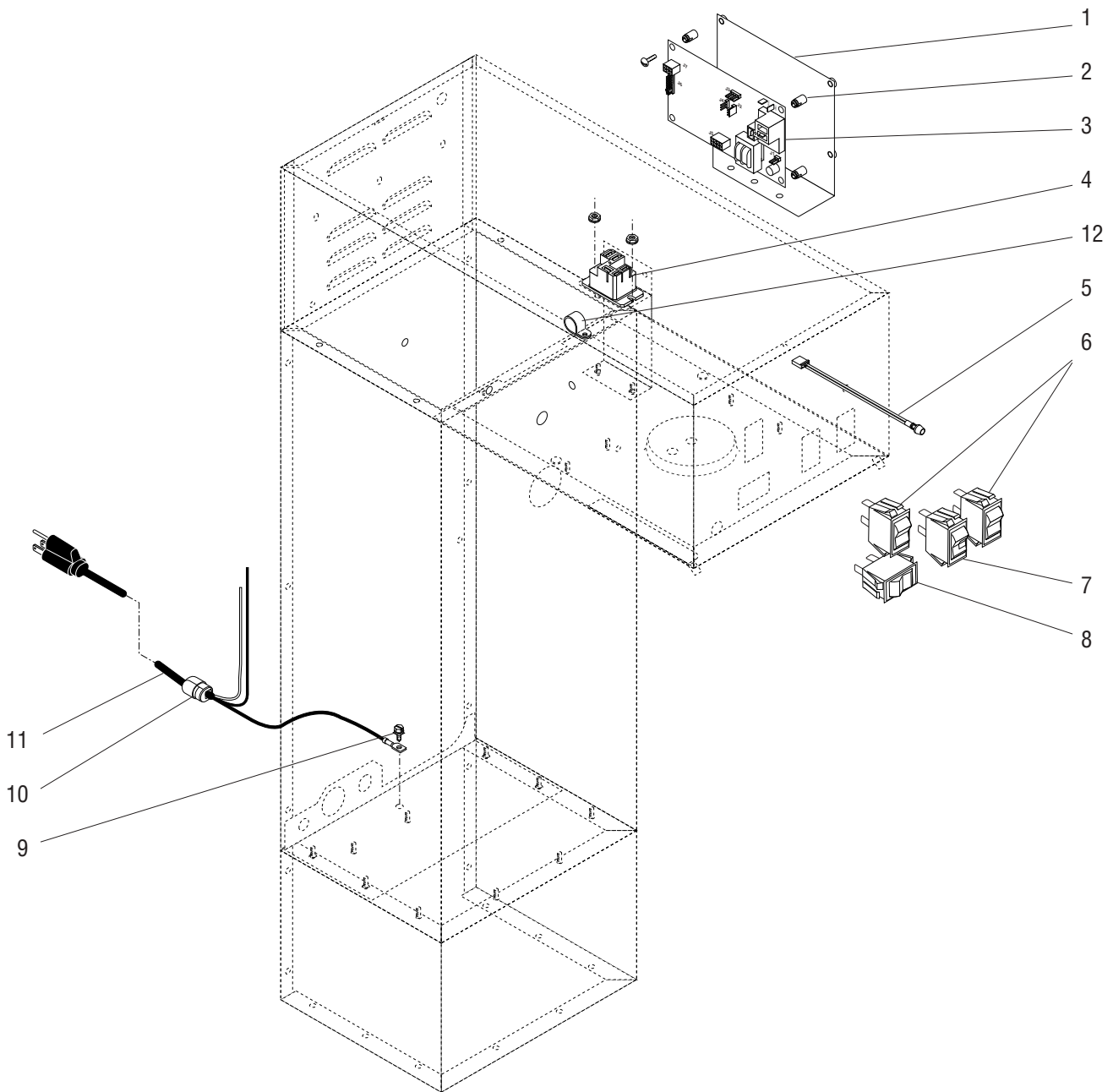
(Continued)

(Continued)



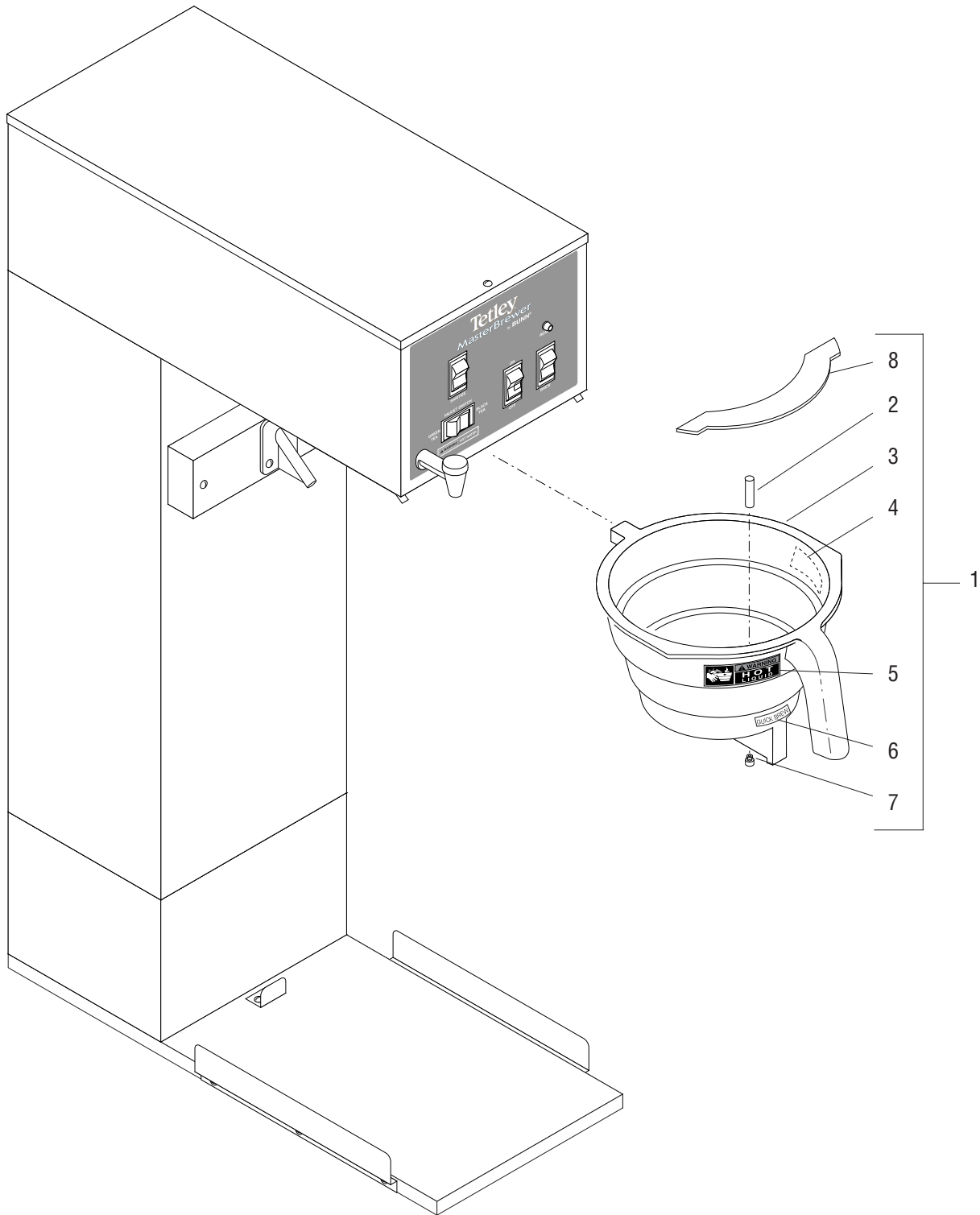
STRAINER, SOLENOID & LINES

ITEM	PART NO.	QTY.	DESCRIPTION
26	20528.1222	1	Flow Control Assy (Includes items 27 thru 30)
27	01154.0001	1	Fitting, Outlet
28	01155.0000	1	Gasket
29	20526.1222	1	Flow/Washer Gasket Kit (.222 GPM)(Includes item 28)
30	-----	1	Body (Not available. Order item 26)
31	00310.0000	1	Tube
32	22300.0750	1	Strainer/Flow Control Assy (Includes items 33 thru 38)
33	01154.0000	1	Fitting, Outlet
34	01155.0000	1	Gasket
35	20526.1750	1	Flow Washer/Gasket Kit (.750 GPM)(Includes item 34)
36	-----	1	Body (Not available. Order item 32)
37	23721.0000	1	Screen
38	22249.0000	1	Fitting Inlet
39	00935.0000	1	Cap (For shipping purposes only)
40	-----	2	Tube .375" ID x 1.20" (Order item 52)
	12422.0001	4	Clamp
41	32976.0000	1	Fitting, Adapter
42	01533.0006	1	Spacer
43	05920.0000	1	Clamp
	01321.0000	1	Screw, Truss Head #8-32 x 1.0"
44	32971.0000	1	Tube (Early Models)
	33285.0000	1	Tube (Late Models)
45	33070.0000	1	Valve, Needle
46	-----	1	Tube .188" ID x 1.0" (Order item 51)
	-----	2	Clamp (Not available)
47	22150.0002	1	Tee, Barb
48	11707.1000	-	Tube .25" ID x 12.0" (Use as required)
	11707.1001	-	Tube .25" ID x 36.0" (Use as required)
	11707.1002	-	Tube .25" ID x 120.0" (Use as required)
49	33007.1000	-	Tube .188" ID x 12.0" (Use as required)
	33007.1001	-	Tube .188" ID x 36.0" (Use as required)
50	20976.1000	-	Tube .375" ID x 12.0" (Use as required)
	20976.1001	-	Tube .375" ID x 36.0" (Use as required)
	20976.1002	-	Tube .375" ID x 120.0" (Use as required)
51	28526.1000	-	Tube .313" ID x 12.0" (Use as required)
	28526.1001	-	Tube .313" ID x 36.0" (Use as required)
	28526.1002	-	Tube .313" ID x 60.0" (Use as required)
	28526.1003	-	Tube .313" ID x 120.0" (Use as required)



ELECTRICAL & OPERATING CONTROLS

ITEM	PART NO.	QTY.	DESCRIPTION
1	32982.0000	1	Bracket
	00970.0000	2	Nut, Keps #8-32
2	29081.0001	4	Spacer
3	28742.0006	1	Control Board
	02302.0000	4	Screw, Round Head #6-32 x .875"
4	32945.0000	1	Relay
	00970.0000	2	Nut, Keps #8-32
5	12517.0001	1	LED, Green
	25292.0000	1	Lockwasher M6
	34130.0000	1	Nut M6
6	03358.0001	2	Switch, START, Double Pole
7	03357.0003	1	Switch, START, Single Pole
8	03358.0002	1	Switch, ON/OFF, Lighted
9	01309.0000	1	Screw, Pan Head w/Terminal Washer #10-32 x .50"
10	00707.0000	1	Bushing, Strain-relief
11	01637.0000	1	Power Cord
12	00603.0000	1	Clamp
Items 13 thru 14 are not illustrated			
13	33011.0000	1	Harness, Main Wiring
14	29659.0000	1	Lead, 14 Ga. BLK, Tank Heater to Limit Thermostat



FUNNEL ASSEMBLY

ITEM	PART NO.	QTY.	DESCRIPTION
1	03021.0005	1	Funnel Assembly, Smoke - Quick Brew (Includes items 2 thru 8)
2	03284.0000	1	Adaptor W/Screen, Funnel (See item 9)
3	-----	1	Funnel, Brew Tea - Smoke (Not Available. Order item 1)
4	03408.0000	1	Decal, Caution - Remove Funnel
5	03409.0000	1	Decal, Caution - Hot Liquid
6	03536.0000	1	Decal, Quick Brew
7	03407.0002	1	Funnel Tip .114" Dia (See Item 9)
8	32965.0000	1	Splash Guard
9	01037.0003	-	Funnel Tip & Screen Kit (Includes items 2 & 7)

NUMERICAL INDEX

PART NO.	PAGE NO.	PART NO.	PAGE NO.	PART NO.	PAGE NO.	PART NO.	PAGE NO.
00310.0000	13	12517.0001	15	33008.0001	11		
00463.0000	11	12524.1001	9	33010.0002	5		
00603.0000	15	12570.0000	9	33011.0000	15		
00656.0000	5	20203.0100	9	33013.0000	7		
00668.0000	5	20526.1222	13	33017.0000	7		
00707.0000	15	20526.1750	13	33022.0001	5		
00831.0000	5	20528.1222	13	33024.0001	5		
00908.0000	9,11	20945.0003	11	33027.0000	11		
00916.0000	5	20976.1000	13	33031.0000	5		
00917.0000	5	20976.1001	13	33036.0000	11		
00935.0000	13	20976.1002	13	33070.0000	13		
00938.0000	11	22150.0001	11	33139.1000	9		
00970.0000	5,7,11,15	22150.0002	13	33284.1001	5		
01037.0003	17	22249.0000	13	33285.0000	13		
01075.0000	7	22300.0750	13	33286.0001	5		
01082.0004	7	22978.0000	7	33288.0001	5		
01154.0000	13	23717.0001	9	33558.0000	7		
01154.0001	13	23721.0000	13	34130.0000	15		
01155.0000	13	24600.0000	5				
01309.0000	15	25137.0001	5				
01315.0000	5,7	25292.0000	15				
01317.0003	5	26135.0003	11				
01321.0000	13	26443.0000	11				
01382.0000	11	27294.0000	5				
01384.0000	5	27294.0002	5				
01501.0000	9	27370.0000	11				
01532.0000	11	28526.1000	13				
01533.0006	13	28526.1001	13				
01637.0000	15	28526.1002	13				
02302.0000	15	28526.1003	13				
02308.0000	5,11	28742.0006	15				
02336.0000	5,9	28891.0000	9				
03021.0005	17	29081.0001	15				
03284.0000	17	29167.0000	5				
03357.0003	15	29206.0002	5				
03358.0001	15	29264.0000	11				
03358.0002	15	29659.0000	15				
03407.0002	17	32942.0000	5				
03408.0000	17	32945.0000	15				
03409.0000	17	32959.0000	11				
03536.0000	17	32965.0000	17				
03537.0000	5	32971.0000	13				
03717.0000	11	32974.0001	11				
03770.0000	5	32976.0000	13				
03772.0000	5	32979.0000	7				
05515.0000	7	32982.0000	15				
05920.0000	13	32985.0000	11				
10044.0000	5	32986.0000	11				
11707.1000	13	32991.1001	5				
11707.1001	13	32998.0000	7				
11707.1002	13	33001.0000	7				
12398.0002	9	33005.0000	7				
12422.0000	11	33007.1000	13				
12422.0001	11,13	33007.1001	13				