

1 Gallon Digital Coffee Brewer with Portable Server

Features

One Gallon Digital Coffee Brewer

- Brews 4.5 to 9.0 gallons (17.0 to 34.1 litres) of perfect coffee per hour.
- 1/2 gallon and 1 gallon (1.9 and 3.8 litre) batches brewed into 1.5 GPR portable server (server included).
- Gourmet funnel allows use of heavier throw weights of coffee.
- Coffee extraction controlled with pre-infusion, pulse brew and digital temperature control.
- Cold brew lock-out and automatic warmer time-out ensure high quality, fresh tasting coffee.
- Front of machine programming simplifies installation.
- Electronic diagnostics and built-in tank drain make service easier.
- SplashGard® funnel deflects hot liquids away from the hand.
- Hot water faucet on all models.



Model Single CDF with 1.5 GPR

Dimensions: 26.1"H x 8.5"W x 18.9"D
(66.3cm H x 21.6cm W x 48cm D)

For current specification sheets and other information, go to www.bunn.com.

Related Products

Easy Clear® EQ-17-TL

Product No. : 30200.1000

Dimensions:

12⁷/₁₆" H x 2¹/₂" W x 3" D
31.6 cm H x 6.35 cm W x 7.62 cm D



Single/Dual Filter Pack

Product No. : 20100.0000

Packed per case: 500

Dimensions: 5¹/₄" Base x 3³/₄" Sidewall
13.3 cm Base x 9.5 cm Sidewall



1.5 GPR SS Portable Server on an RWS1 Warmer

1GPR Product No. : 20950.0004

RWS1 Product No. : 12203.0010

**Also available with side handles
or black decor.*



Model

Agency Listing

Single CDF15



Single CDF35



Dimensions & Specifications

Model	Product #	Volts	Amps	Tank Heater Watts	Total Watts	Brewing Capacity	Cubic Measure	Shipping Weight	Cord Attached
Single									
CDF15	35000.0000	120	13.3	1425	1600	4.5 gal/hr	6.0 ft ³	46.3 lb.	Yes
CDF35	35000.0003	120/208-240	15.8*	3500	3650	7.5/9.0 gal/hr	5.6 ft ³	46.3 lb.	No

*Current at 120/240 Volts

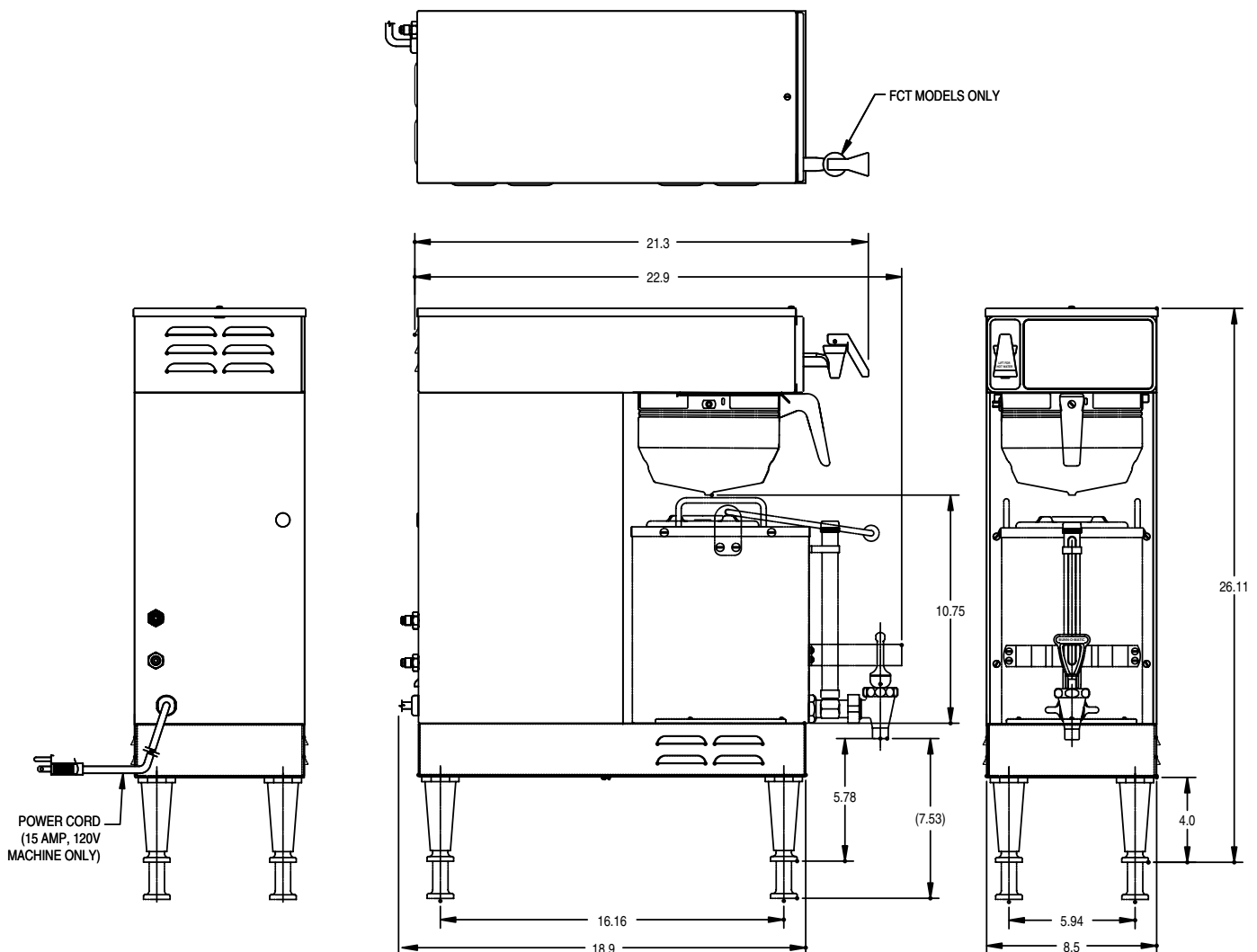
Brewing capacity: based upon incoming water temp of 60°F/15°C (140°F/60°C rise) per 1/2 gallon brew time of 4 minutes.

Models listed as 120/208V or 120/240V must be connected to 208V or 240V electrical service respectively. Please refer to the installation manual.

Electrical: 120 volt model requires 2-wires plus ground service rated 120V, single phase.

240 volt model requires 3-wires plus ground service rated 120/208 or 120/240V, single phase, 60 Hz.

Plumbing: 20-90 psi (138-621 kPa). Machine supplied with 1/4" male flare fitting.



Bunn-O-Matic® Corporation - 1400 Stevenson Drive Springfield, Illinois 62703 • 800-637-8606 • 217-529-6601 • Fax 217-529-6644 • www.bunn.com

BUNN® practices continuous product research and improvement. We reserve the right to change specifications and product design without notice. Such revisions do not entitle the buyer to corresponding changes, improvements, additions or replacements for previously purchased equipment.

All dimensions shown in inches. Bunn-O-Matic Corporation owns all copyrights relating to materials in this publication. Please contact BUNN to request permission to reproduce any portion of this publication.