

Thermal Carafe Automatic Coffee Brewer

Features

Thermal Automatic Coffee Brewer

- Accepts thermal carafe up to 8.5" tall (21.6cm).
- Use in quick turn environment where high quality coffee is continuously refreshed.
- Models are space saving 9.0" wide (22.9cm).
- All stainless steel construction.
- Hot water faucet available on most models.
- SplashGard® funnel deflects hot liquids away from the hand.
- Pourover feature.
- Pourover model available (CW-TC).
- Brew capacity varies by model. See back for details.



CWTF-TC

(no warmers) (thermal carafe sold separately)

Dimensions: 17.9" H x 9" W x 18.5" D
(45.5cm H x 22.9cm W x 47cm D)

For current specification sheets and other information, go to www.bunn.com.

International models may vary in appearance.

Related Products

Easy Clear® EQ-17-TL
Product No. : 30200.1000



Thermal Carafe
Product No. : 36029.0001



Paper Filter Pack
Product No. : 20115.0000



Dimensions & Specifications

Model	Product #	Volts	Amps	Tank Heater Watts	Total Watts	Brewing Capacity	Shipping Weight	Cord Attached	Agency
CWA-TC	23001.0067	230	9.1	1850	2100	5.2 gal./hr. (19.7 L./hr.)	28 lbs. (12.7 kg)	Yes UK Plug	CE (NSF)
CWTFA-TC	12950.0362	230	9	1850	2100	5.2 gal./hr. (19.7 L/hr.)	31 lbs. (14.1 kg)	No	CE (NSF)
Power cord	27728.0001								
CWTFB-TC	12950.0361	100	13	1250	1300	3.5 gal./hr. (13.3 L/hr.)	28 lbs. (12.7 kg)	Yes	
CWTFA-TC	12950.0415	220	8.6	1850	1900	5.2 gal./hr. (19.7 L/hr.)	31 lbs. (14.1 kg)	No	
Power cord	27728.0001								
CWTFA-TC	12950.0416	230	9	2022	2070	5.7 gal./hr. (21.6 L/hr.)	31 lbs. (14.1 kg)	Yes UK Plug	CE (PC)

Thermal carafe sold separately.

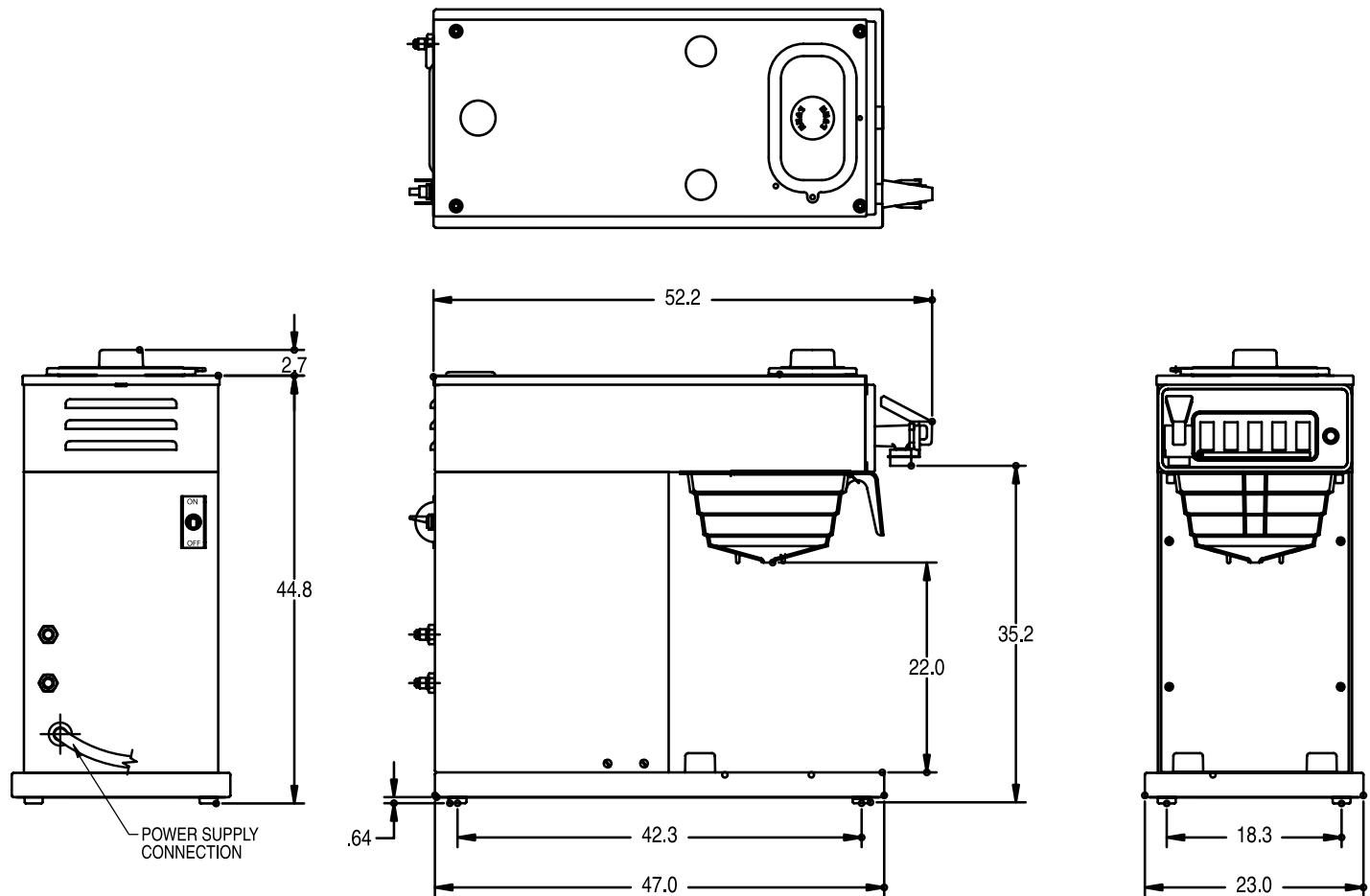
Brewing capacity: based on incoming water temp of 60°F/15°C (140°C/60°C rise) per 1.9 litre brew time of 4 minutes.

Electrical: 230V model requires 2-wires plus ground service rated 220-240V, single phase, 50/60 Hz.

100V model requires 2-wires plus ground service, single phase, 50 Hz.

220V model requires 2-wires plus ground service rated 220-240V, single phase, 60 Hz.

Plumbing: 20-90 psi (138-621 kPa). Machine supplied with ¼" male flare fitting.



Bunn-O-Matic® Corporation - 1400 Stevenson Drive Springfield, Illinois 62703 • USA • +1-217-529-6601 • Fax +1-217-529-2827 • www.bunn.com

BUNN® practices continuous product research and improvement. We reserve the right to change specifications and product design without notice. Such revisions do not entitle the buyer to corresponding changes, improvements, additions or replacements for previously purchased equipment.

All dimensions shown in centimeters. Bunn-O-Matic Corporation owns all copyrights relating to materials in this publication. Please contact BUNN to request permission to reproduce any portion of this publication.