

ITEM# _____

PROJECT _____

DATE _____

Portable Servers and Warmers for Satellite Brewers

Features

Portable Servers

- Models available with capacities up to 1 and 1½ gallons (3.8, 5.7 litres).
- Easily transported portable servers for remote service.
- Patented Safety-Fresh® brew-through lid with vapor seal and spill protection GPR servers.

Warmers

- Accept 1 and 1½ gallon (3.8 and 5.7 liters) servers.
- Legs are adjustable on RWS1 and RWS2.
- International electrical configurations available.



1.5GPR w/RWS1*

(Server and Warmer sold separately)
 Dimensions: 18.1" H x 8.5" W x 12.7" D
 (46.0cm H x 21.6cm W x 32.3cm D)



1GPR w/RWS1

(Server and Warmer sold separately)
 Dimensions: 14" H x 8.5" W x 12.7" D
 (35.6cm H x 21.6cm W x 32.2cm D)

For current specification sheets and other information, go to www.bunn.com.

**International models may vary in appearance.*

Related Products

One Position Drip Tray
 For use with Single/Single SH
 Product No. : 26830.0000






Two Position Drip Tray
 For use with Dual/Dual SH
 Product No. : 27150.0000



One Position Drip Tray
 For use with RWS1
 Product No. : 20213.0103

Two Position Drip Tray
 For use with RWS2
 Product No. : 20213.0100

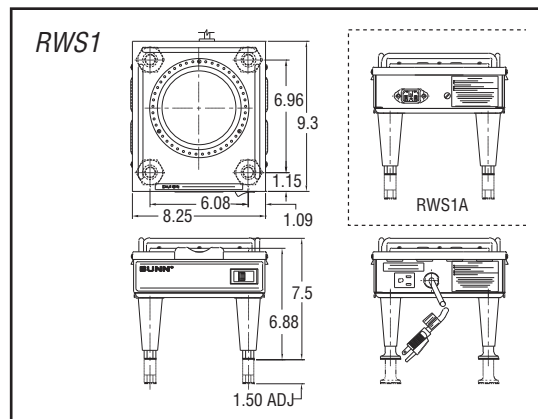
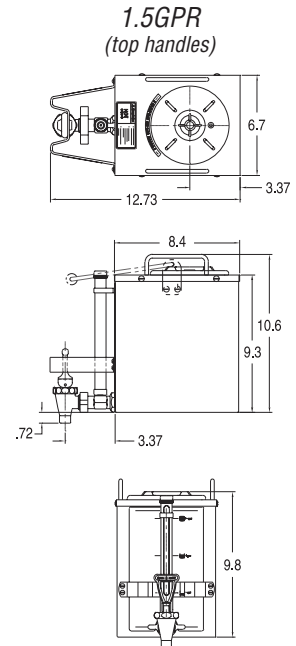
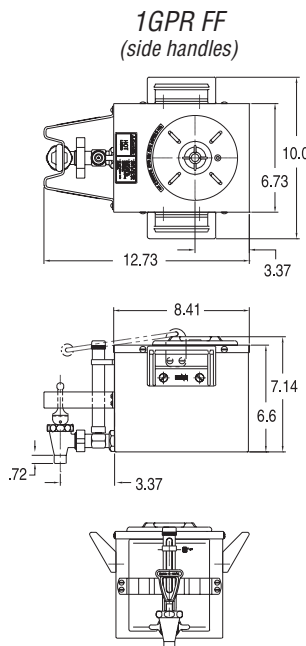
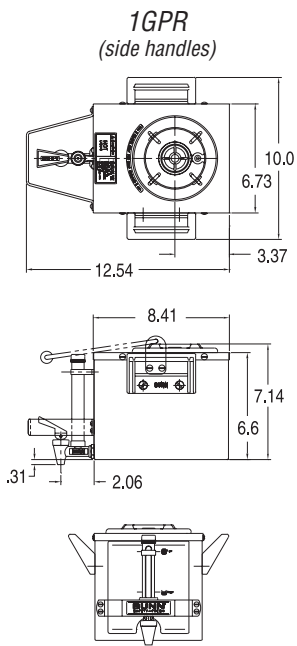
Model	Agency Listing
1GPR	
1.5GPR	
RWS1	

Dimensions & Specifications



Model	Product #	Capacity gal/liter	Cubic ft ³ /m ³	Weight lbs/kg	Cord Attached
1GPR (bail handle)	12487.6000	1 / 3.79	1.0 / .028	7 / 3.8	N/A
1GPR (side handles)	12487.6003	1 / 3.79	1.0 / .028	7 / 3.8	N/A
1.5GPR-FF (bail handle, fast flow faucet)	20950.6000	1.5 / 5.69	1.0 / .028	10 / 4.5	N/A
1.5GPR-FF (top handles, fast flow faucet)	20950.6001	1.5 / 5.69	1.0 / .028	10 / 4.5	N/A

Model	Product #	Volts	Amps	Watts	Capacity	Cubic ft ³ /m ³	Weight lbs/kg	Cord Attached
RWS1 (satin nickel legs)	12203.6001	120	.83	100	1GPR or 1.5GPR	.9/.025	7 / 3.8	Yes



Bunn-O-Matic Corporation of Canada - 280 Industrial Pkwy. S. Aurora, Ontario L4G 3T9 • 905-841-2866 • Fax 905-841-2775 • www.bunn.com

BUNN® practices continuous product research and improvement. We reserve the right to change specifications and product design without notice. Such revisions do not entitle the buyer to corresponding changes, improvements, additions or replacements for previously purchased equipment.

All dimensions shown in inches. Bunn Corporation owns all copyrights relating to materials in this publication. Please contact Bunn Corporation to request permission to reproduce any portion of this publication.