

## Hot Water Dispenser

### Features



#### H5E/H5X

Dimensions: 28.5"H x 7.1"W x 17.5"D  
(72.4cm H x 18.03cm W x 44.5cm D)

#### 18.9 Litre (5 Gallon) Hot Water Dispenser

- Dispenses up to 21 gallons (79 litres) of boiling water (H5X) per hour for food prep and cleaning.
- Precise temperature 72°–212°F (22.2°C-100°C) ensures consistent, high quality results when preparing large amounts of mashed potatoes, gravy, cheese sauce, gelatin, oatmeal and many more foods.
- Locate hot water at preparation site to increase speed, safety and efficiency of kitchen staff.
- Can be mounted for space savings.

For current specification sheets and other information, go to [www.bunn.com](http://www.bunn.com).

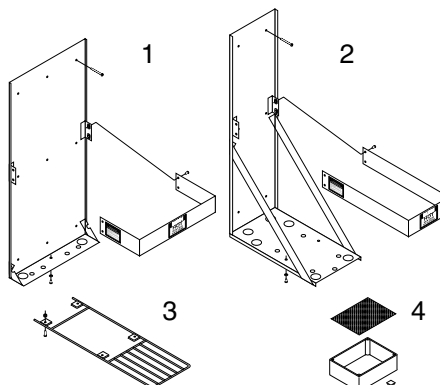
*\*International models may vary in appearance.*

### Related Products

Easy Clear<sup>®</sup> EQHP-10  
Product No. : 39000.0004



Easy Clear<sup>®</sup> EQHP-10L  
Product No. : 39000.0001



- 1. Wall Mount Bracket (side)**  
Product No. : 12542.0000
- 2. Wall Mount Bracket (front)**  
Product No. : 13125.0001
- 3. Container Holding Shelf**  
Product No. : 12599.0000
- 4. Drip Tray**  
Product No. : 02497.0000

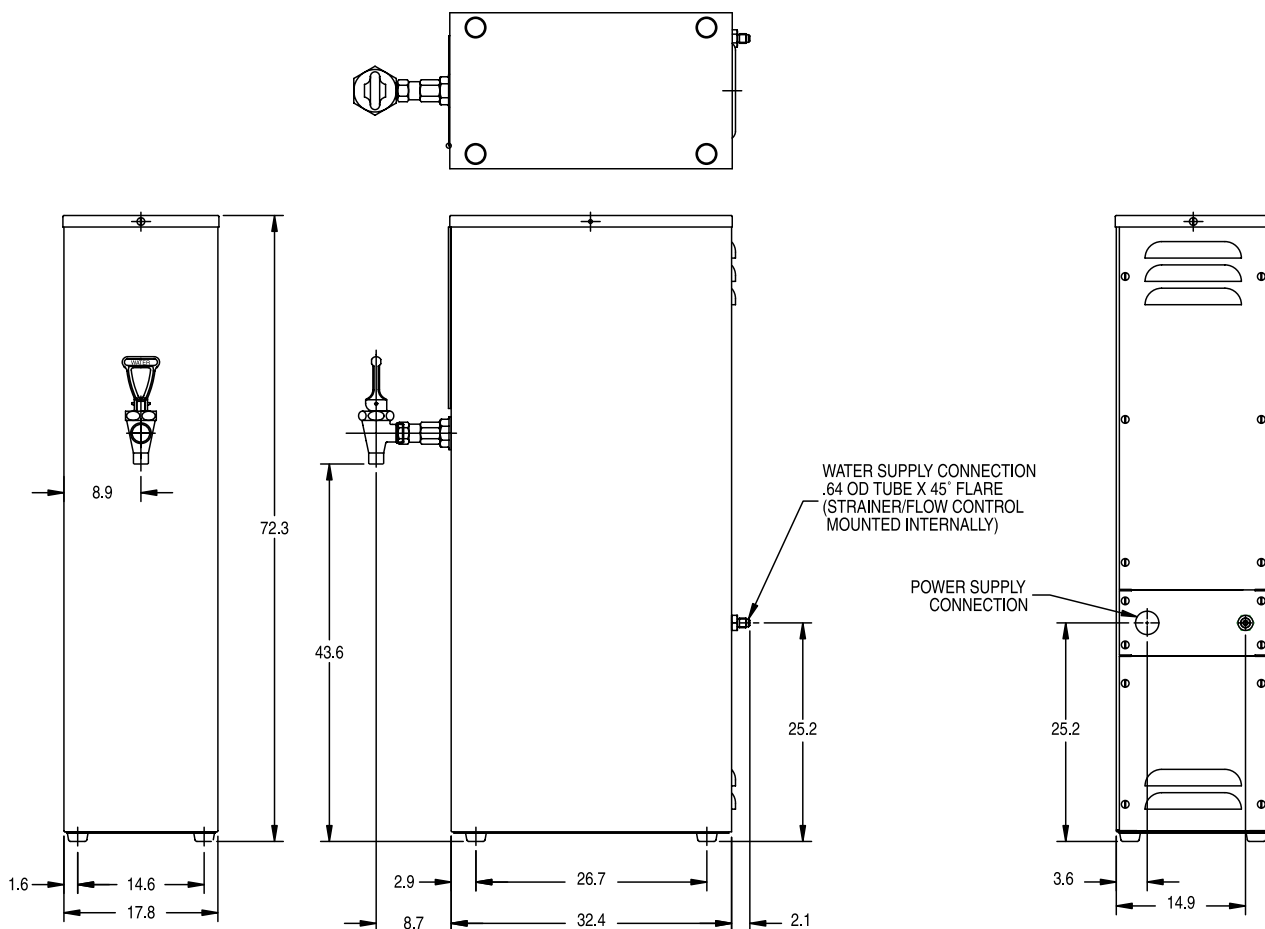
## Dimensions & Specifications

Model	Product #	Volts	Amps	Tank Heater Watts	Total Watts	Temp Settings	Gal./Hr. cold water input 35°F (1.6°C)	Gal./Hr. hot water input 140°F (60°C)	Shipping Weight	Cord Attached	Agency
H5MA	12500.0056	230	16	3670	3700	200°F 93.3°C	9.1 gal. (39.4 L)	25 gal. (94.6 L)	32 lbs. (14.5 kg)	No	CE
H5EA	12500.0062	230	16	3670	3700	204°F 95.5°C	8.9 gal. (33.7 L)	23.5 gal. (89 L)	32 lbs. (14.5 kg)	No	CE
H5EA	12500.0063	230	16	3670	3700	85°/105°F 29.4°C/40.6°C	varies with application		32 lbs. (14.5 kg)	No	CE
H5XA	12500.0064	230	16	3670	3700	212°F 100°C	8.5 (32.2 L)	20.9 gal. (79.1 L)	32 lbs. (14.5 kg)	No	CE
H5EA	12500.0067	230	17.4	3675	4000	90°F 32.2°C	varies with application		32 lbs. (14.5 kg)	No	CE

Electrical: All models require 2-wires plus ground service rated 220-240V, single-phase, 50/60 Hz.

*Note: Supplied strain relief on rear side of machine.*

Plumbing: 20-90 psi (138-621 kPa). Machine supplied with 1/4" OD male flare fitting.



Bunn-O-Matic® Corporation - 1400 Stevenson Drive Springfield, Illinois 62703 • USA • +1-217-529-6601 • Fax +1-217-529-2827 • www.bunn.com

BUNN® practices continuous product research and improvement. We reserve the right to change specifications and product design without notice. Such revisions do not entitle the buyer to corresponding changes, improvements, additions or replacements for previously purchased equipment.

**All dimensions shown in centimeters.** Bunn-O-Matic Corporation owns all copyrights relating to materials in this publication. Please contact BUNN to request permission to reproduce any portion of this publication.