

INSTRUCTION MANUAL

-**PLEASE** read these instructions carefully before operating this appliance.
-The temperature is thermostatically controlled between the range of 50°C to 300°C (122°F to 572°F). A signal lamp adjacent to the thermostat indicates when heating element is energized.

IMPORTANT

- This unit is designed to operate on alternative current (A.C.) only.
- DO NOT CONNECT TO DIRECT CURRENT (D.C.)**
- Care should be taken when operating this appliance as **HOT SURFACES** may cause burns.
- Ensure that the power supply cord does not come into contact with hot surfaces.
- Do not leave unit in operation without an attendant.
- When not in use for long period unplug the appliance.

INSTALLATION AND OPERATION

- Check if voltage of your power system corresponds to the same specified on the appliance label.
- Before using the appliance for the first time, remove the protection coating (MEDICINAL VASELINE) with a damp cloth and turn the control knobs to 300°C (572°F), allow griddle to heat for +/- 30 minutes. You will notice some smoke appearing due to the protection coating and internal insulation burning, which is normal.
- After 30 minutes heating, turn temperature controls down to operating desired temperature and grease plate, generously with butter or oil. Never allow excess of fat or oil to buildup as this will result in build-up of carbon on the plates, which should be removed with a scraper.
- Appliance is provided with grease drawer that receives grease and food scraped residues.
- This appliance should be preheated before daily operation. Always allow 15 minutes preheat time before loading griddle with food to give griddle surface time to saturate.
- To turn off your appliance turn thermostat knobs completely towards left.

CLEANING PROCEDURE

- Always ensure that the appliance is disconnected from the main power supply before cleaning.
- Try to scrape as much grease and residues from cooking surface as possible while the unit is still hot.
- After appliance has cooled, clean cooking surface and body using only a damp cloth. Never use water jet or immerse appliance in water.
- Wipe off appliance with a dry cloth and wait at least half an hour before re-connecting to main power outlet.



Since 1911

Medium Griddle

Instruction Manual



Model: MFGS



Since 1911

www.cecilware.com

Cecilware Corporation 43-05 20th. Avenue, LIC NY 11105
Tel: 800.935.2211 / 718.932.1414 • Fax: 718.932.7860

Cecilware Corporation 43-05 20th. Avenue, LIC NY 11105
Tel: 800.935.2211 / 718.932.1414 • Fax: 718.932.7860



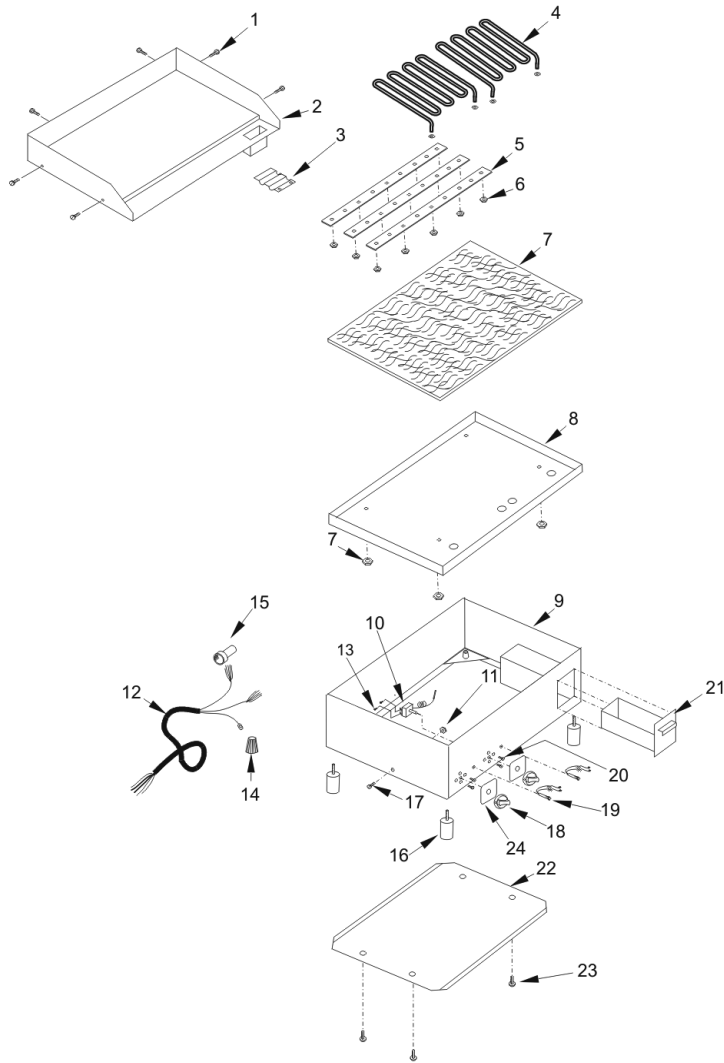
Since 1911

www.cecilware.com

Printed 10/07 rev2

Medium Griddle

Instruction Manual



Model: MFGS

| Item | Part # | Description |
|------|--------|--------------------------|
| 1 | N/A | Screw (4,8) |
| 2 | N/A | Cooking Plate |
| 3 | 04039 | Thermostat Bulb Retainer |
| 4 | 04058 | Heating Element (2500W) |
| 5 | N/A | Heating Element Support |
| 6 | N/A | Nut |
| 7 | N/A | Insulation |
| 8 | N/A | Heating Plate Protection |
| 9 | N/A | Body |
| 10 | 04028 | Thermostat |
| 11 | N/A | Nut (3/16") |
| 12 | 04043 | Plug & Cord |
| 13 | N/A | Screw |
| 14 | N/A | Wire Connector |
| 15 | 04114 | Cord Retainer |
| 16 | 04008 | Foot |
| 17 | N/A | Screw (3/16") |
| 18 | 04029 | Knob |
| 19 | 04032 | Pilot Light |
| 20 | N/A | Screw |
| 21 | 04070 | Grease Drawer |
| 22 | N/A | Bottom Cover Plate |
| 23 | N/A | Screw (3,5) |
| 24 | N/A | Plate |

| Specifications | |
|--------------------------|------------------------|
| Model | MFGS |
| Volts | 220 |
| Watts | 5000 |
| Amps | 22.7 |
| Width Depth Height | 31½" 22.1" 14.2" |
| Ship Weight | 99 lbs. |

Wiring diagram

