

# INSTRUCTION MANUAL

## ATTENTION:

-**PLEASE** read these instructions carefully before operating this appliance.  
-The temperature is thermostatically controlled between the range of 50°C to 300°C (122° F to 572°F). A signal lamp adjacent to the thermostat indicates when the heating elements are energized.

## IMPORTANT:

-These units are designed to operate on alternating current (A.C.) only.  
-**DO NOT CONNECT TO DIRECT CURRENT (D.C.).**  
-Care should be taken when operating this appliance as **HOT SURFACES** may cause burns.  
-Ensure that the power supply cord does not come into contact with hot surfaces.  
-Do not leave unit in operation without an attendant.  
-When not in use for long period unplug the appliance.

## INSTALLATION AND OPERATION:

-Check if voltage of your power system corresponds to the same specified on the machine label.  
-Before using the appliance for the first time, turn the control knob to 300°C (572°F), close the lid and allow the appliance to heat for + / - 30 minutes. You will notice smoke appearing due to the internal insulation burning, which is normal.  
-After 30 minutes heating, turn temperature control down to operating desired temperature, keep knob in this position until pilot light turns off, at this point the unit will be ready to be used.  
-To turn off the unit turn knob completely towards left.

## CLEANING PROCEDURE

-Always ensure that the appliance is disconnected from the main power supply before cleaning.  
-After appliance has cooled clean cooking surface and body using only a damp cloth. Never use water jet or immerse appliance in water.  
-Wipe off appliance with a dry cloth and wait at least half an hour before re-connecting to main power outlet.



# Single Grooved Sandwich Grill Instruction Manual



**Model: SRSGA-120**



**Cecilware Corporation** 43-05 20th. Avenue, LIC NY 11105  
Tel: 800.935.2211 / 718.932.1414 • Fax: 718.932.7860

[www.cecilware.com](http://www.cecilware.com)

**Cecilware Corporation** 43-05 20th. Avenue, LIC NY 11105  
Tel: 800.935.2211 / 718.932.1414 • Fax: 718.932.7860

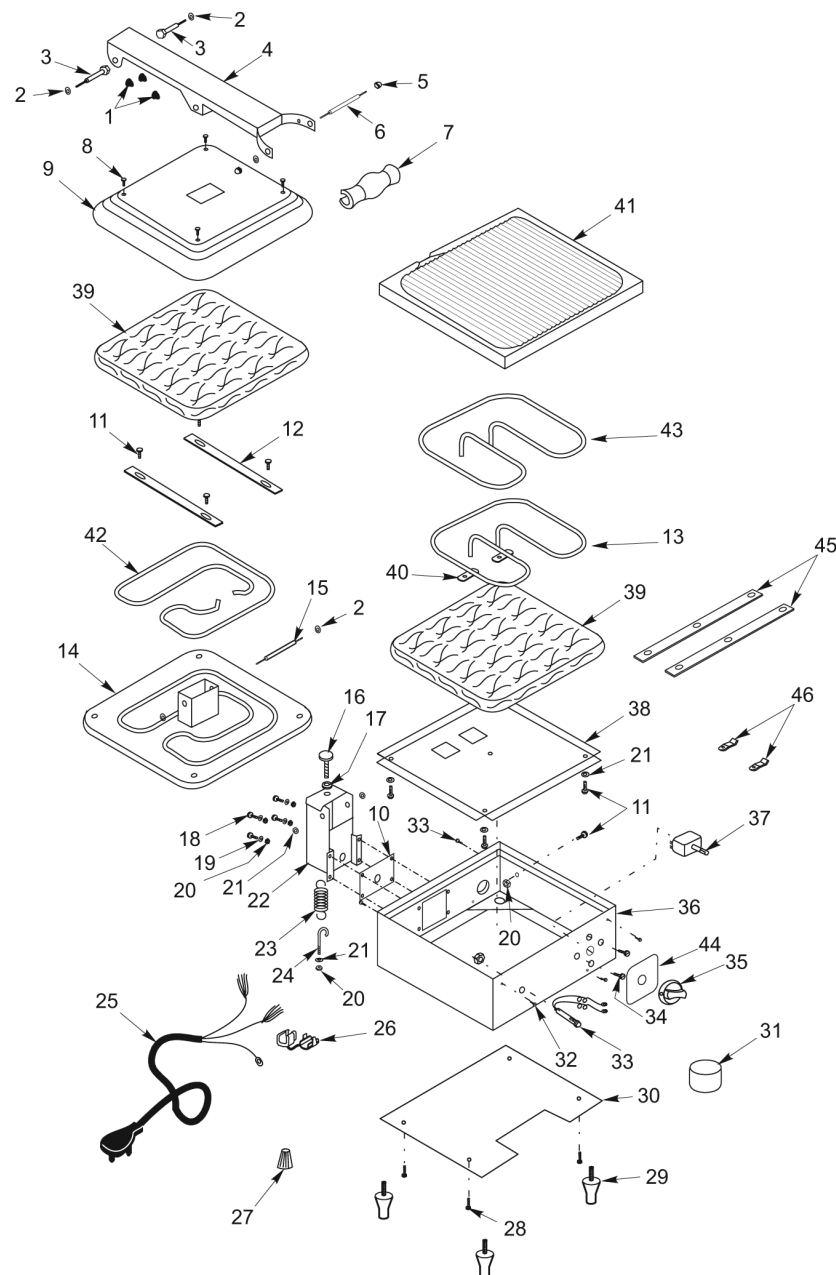


[www.cecilware.com](http://www.cecilware.com)

Printed 10/07 rev2

# Single Grooved Sandwich Grill

## Instruction Manual



## Model: SRSGA-120

Item	Part #	Description
1	N/A	Rubber Protection
2	N/A	Nut (1/4")
3	04020	Shaft
4	04047	Arm
5	N/A	Nut (3/16")
6	04045	Shaft
7	04044	Handle
8	N/A	Screw (3/16")
9	N/A	Lid
10	N/A	Protection Plate
11	N/A	Screw (3/16")
12	N/A	Heating Fixed
13	04033	Heating Element (450W)
14	N/A	Grooved Upper Heating Plate
15	04048	Shaft
16	N/A	Lid Regulator
17	N/A	Regulator Locker
18	N/A	Screw (3/16")
19	N/A	Lock Washer (3/16")
20	N/A	Nut (3/16")
21	N/A	Washer (3/16")
22	04046	Arm Support
23	04037	Spring
24	04049	Spring Regulator
25	04040	Plug & Cord
26	04097	Cord Retainer
27	N/A	Wire Connector
28	N/A	Screw
29	04007	Foot
30	N/A	Bottom Cover Plate
31	04050	Grease Collector
32	N/A	Screw
33	04032	Pilot Light
34	04005	Special Screw
35	04029	50/300C Knob
36	N/A	Body
37	04028	Thermostat
38	N/A	Heating Element Protection Plate
39	N/A	Insulation
40	04036	Heating Element Connection
41	N/A	Grooved Lower Heating Plate
42	04035	Heating Element (550W)
43	04034	Heating Element (550W)
44	N/A	Plate
45	N/A	Heating Element Retainer
46	04042	Thermostat Bulb Retainer

### Specifications

Model	SRSGA-120
Volts	110
Watts	1550
Amps	14.1
Width Depth Height	13.9" 19.29" 10.62"
Ship Weight	34.1 lbs.

### Wiring Diagram

