

INSTRUCTION MANUAL

- PLEASE** read these instructions carefully before operating this appliance.
- The temperature is thermostatically controlled between the range of 50°C to 300°C (122°F to 572°F). A signal lamp adjacent to the thermostat indicates when heating element is energized.

IMPORTANT

- This unit is designed to operate on alternative current (A.C.) only.
- DO NOT CONNECT TO DIRECT CURRENT (D.C.)**
- Care should be taken when operating this appliance as **HOT SURFACES** may cause burns.
- Ensure that the power supply cord does not come into contact with hot surfaces.
- Do not leave unit in operation without an attendant.
- When not in use for long period unplug the appliance.

INSTALLATION AND OPERATION

- Check if voltage of your power system corresponds to the same specified on the appliance label.
- Before using the appliance for the first time, remove the protection coating (MEDICINAL VASELINE) with a damp cloth and turn the control knobs to 300°C (572°F), allow griddle to heat for +/- 30 minutes. You will notice some smoke appearing due to the protection coating and internal insulation burning, which is normal.
- After 30 minutes heating, turn temperature controls down to operating desired temperature and grease plate, generously with butter or oil. Never allow excess of fat or oil to buildup as this will result in build-up of carbon on the plates, which should be removed with a scraper.
- Appliance is provided with grease drawer that receives grease and food scraped residues.
- This appliance should be preheated before daily operation. Always allow 15 minutes preheat time before loading griddle with food to give griddle surface time to saturate.
- To turn off your appliance turn thermostat knobs completely towards left.

CLEANING PROCEDURE

- Always ensure that the appliance is disconnected from the main power supply before cleaning.
- Try to scrape as much grease and residues from cooking surface as possible while the unit is still hot.
- After appliance has cooled, clean cooking surface and body using only a damp cloth. Never use water jet or immerse appliance in water.
- Wipe off appliance with a dry cloth and wait at least half an hour before re-connecting to main power outlet.



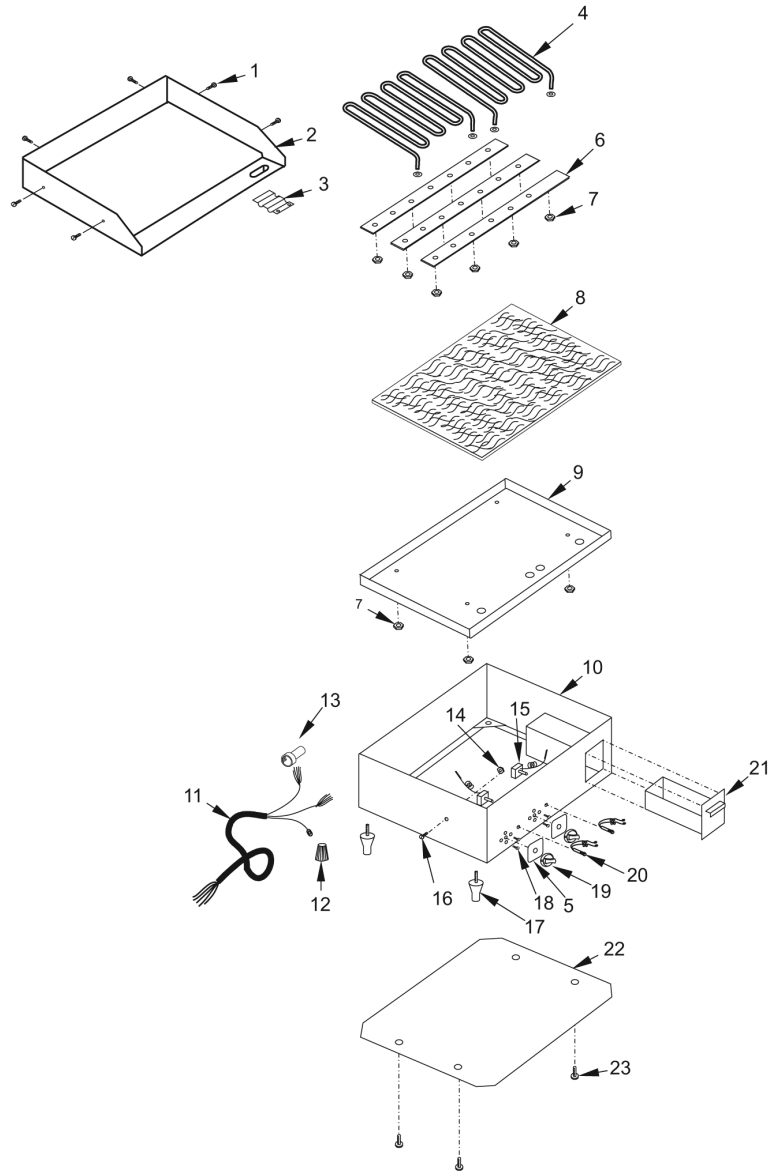
Small Griddle Instruction Manual



Model: SFGS

Small Griddle

Instruction Manual



Model: SFGS

Item	Part #	Description
1	N/A	Screw (4,8)
2	N/A	Cooking Plate
3	04039	Thermostat Bulb Retainer
4	04059	Heating Element (1900W)
5	N/A	Plate
6	N/A	Heating Element Support
7	N/A	Nut
8	N/A	Insulation
9	N/A	Heating Plate Protection
10	N/A	Body
11	04043	Plug & Cord
12	N/A	Wire Connector
13	04114	Cord Retainer
14	N/A	Nut (3/16")
15	04113	Thermostat
16	N/A	Screw (3/16")
17	04008	Foot
18	N/A	Screw
19	04031	Knob
20	04032	Pilot Light
21	04070	Grease Drawer
22	N/A	Bottom Cover Plate
23	N/A	Screw (3,5)

Specifications	
Model	SFGS
Volts	220
Watts	3800
Amps	17.3
Width Depth Height	25.2" 18.9" 14.2"
Ship Weight	63.1 lbs.

Wiring diagram

