



IMI CORNELIUS REMCOR INC ■ 500 REGENCY DRIVE ■ GLENDALE HEIGHTS, IL 60139-2268

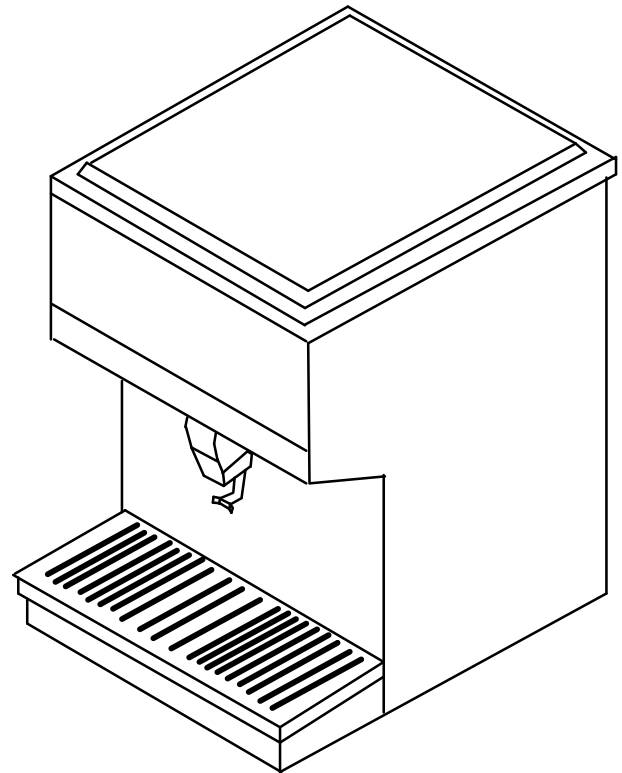
Telephone (800) 551-4423

Facsimile (800) 519-4423

Installation Manual

ICE DISPENSER

D45 and D90



Part No. 91561
August, 1995

THIS DOCUMENT CONTAINS IMPORTANT INFORMATION

This Manual must be read and understood before installing or operating this equipment

TABLE OF CONTENTS

	Page
SAFETY PRECAUTIONS	1
DESCRIPTION	1
INSTALLATION INSTRUCTIONS	2
CLEANING INSTRUCTIONS	2
DISPENSER	2
OPERATING INSTRUCTIONS	3
MAINTENANCE	3
CLEANING	3
DAILY (OR AS REQUIRED)	3
WEEKLY (OR AS REQUIRED)	3
MONTHLY	3
TROUBLESHOOTING GUIDE	4
BLOWN FUSE OR CIRCUIT BREAKER	4
GATE DOES NOT OPEN. AGITATOR DOES NOT TURN.	4
GATE DOES NOT OPEN OR IS SLUGGISH. AGITATOR TURNS.	4
GATE OPENS. AGITATOR DOES NOT TURN.	4
ICE DISPENSES CONTINUOUSLY.	4
SLUSHY ICE. WATER IN HOPPER.	4
SOLENOID ASSEMBLY PARTS LIST	7
PARTS LIST	9
WARRANTY	10

LIST OF FIGURES

FIGURE 1. MOUNTING TEMPLATES	5
FIGURE 2. WIRING DIAGRAM	6
FIGURE 3. SOLENOID ASSEMBLY	7
FIGURE 4. DISPENSING LEVERS AND SWITCHES	8

LIST OF TABLES

TABLE 1. SPECIFICATIONS	1
-------------------------------	---

SAFETY PRECAUTIONS

ALWAYS: Disconnect power to the dispenser before servicing or cleaning.

NEVER: Place hands inside of hopper or gate area without disconnecting power to the dispenser. **Agitator rotation occurs automatically when dispenser is energized!**

This ice dispenser has been specifically designed to provide protection against personal injury and eliminates contamination of ice. **To ensure continued protection and sanitation, observe the following:**

ALWAYS: Be sure removable lid is properly installed to prevent unauthorized access to the hopper interior and possible contamination of the ice.

ALWAYS: Be sure the upper and lower front panels are securely fastened.

ALWAYS: Keep area around the dispenser clean of ice cubes.



CAUTION: Dispenser cannot be used with crushed or flaked ice. Use of bagged ice that has frozen into large chunks can void warranty. The dispenser agitator is not designed to be an ice crusher. Use of large chunks of ice that “jam up” inside the hopper will cause failure of the agitator motor and damage to the hopper. If bagged ice is used, it must be carefully and completely broken into small, cube-sized pieces before filling into the dispenser hopper.

DESCRIPTION

The D45 or D90 ice dispensers solve your ice and beverage service needs in a sanitary, space saving, economical way. Designed to be manually filled with ice from any remote ice-making source, these dispensers will dispense cubes (up to 1-1/4” size), cubelets and hard-chipped or cracked ice.

Table 1. Specifications

Model:	D45
Ice Storage:	45 pounds
Electrical:	120/1/60, 3 Amps
Drain Connection:	3/4”FPT
Electrical Connection:	6', 3-Wire Cord with 3-Prong Ground Type Plug
Dimensions:	16”W x 22”D x 26-1/2”H
Model:	D90
Ice Storage:	90 pounds
Electrical:	120/1/60, 3 Amps
Drain Connection:	3/4”FPT
Electrical Connection:	6', 3-Wire Cord with 3-Prong Ground Type Plug
Dimensions:	22”W x 28”D x 30”H

INSTALLATION INSTRUCTIONS

1. Locate the dispenser indoors on a level counter top. Unpack the four (4) legs and install them into the threaded holes provided in the bottom of the unit.
2. Connect the 3/4" IPS (or equal) drain line to the 3/4" threaded drain connections at the lower rear of the unit. This line must pitch downward to an open drain and must contain no traps, or improper drainage will result.
3. Clean the hopper interior. (See Cleaning Instructions on page 3.)
4. Connect the power cord to a 120 volt, 60 hertz, 3-wire grounded receptacle. All electrical wiring must conform to national and local electrical codes.

CLEANING INSTRUCTIONS



WARNING: DISCONNECT POWER BEFORE CLEANING! Do not use metal scrapers, sharp objects or abrasives on the ice storage hopper, top cover and the agitator disk, as damage may result. Do not use solvents or other cleaning agents, as they may attack the plastic material.

DISPENSER

1. Clean the ice dispenser interior at least once a month.
2. Lift off agitator assembly and wash and rinse it thoroughly.
3. Wash down the inside of the hopper and top cover with a **mild** detergent solution and **rinse** thoroughly to remove all traces of detergent.
4. Replace the agitator.
5. Sanitize the inside of the hopper and agitator with a solution of 1 ounce of household bleach in 2 gallons of water.
6. Remove ice chute cover as follows:
 - A. Flex sides outward to disengage lower pins.
 - B. Lift ice chute cover to disengage upper pins.
 - C. Lower ice chute cover down out of unit. **NOTE: It may be helpful to twist cover slightly.**
7. Clean the inside of the ice chute and ice chute cover with a mild detergent solution and rinse thoroughly to remove all traces of detergent.
8. Sanitize as described in Step 5.
9. Reverse steps above to reassemble ice chute.

OPERATING INSTRUCTIONS

Fill the hopper with ice and replace the lid. Pushing the dispenser lever will cause ice to flow from the ice chute. Ice flow will continue until the lever is released. If ice does not dispense, see the TROUBLESHOOTING GUIDE to find the cause.

NOTE: Use caution to avoid spilling ice when filling dispenser. Immediately clean up any spilled ice from filling or operating the unit. To prevent contamination of ice, the lid must be installed on the unit at all times.

MAINTENANCE

The following dispenser maintenance should be performed at the intervals indicated:

CLEANING

DAILY (OR AS REQUIRED)

Remove foreign material from the vending area sink to prevent drain blockage.

WEEKLY (OR AS REQUIRED)

Clean the vending area. Check for proper water drainage from the vending area sink.

MONTHLY

Clean and sanitize the hopper interior. (See CLEANING INSTRUCTIONS.)

If the dispenser fails to dispense ice when operated, check that the hopper has ice in it and that power is being supplied to the unit. If the problem persists, check the following:

1. Determine if the agitator is rotating (check for the sound of ice movement in the hopper).
2. Observe whether the gate is operating.

After checking the above, refer to the TROUBLESHOOTING GUIDE for possible problem causes and corrective action.

TROUBLESHOOTING GUIDE

Should your unit fail to operate properly, check that there is power to the unit and that the hopper contains ice. If the unit still does not dispense, check the following chart under the appropriate symptoms to aid in locating the defect.

Trouble	Probable Cause	Remedy
BLOWN FUSE OR CIRCUIT BREAKER.	A. Short circuit in wiring.	A. Repair wiring.
	B. Defective gate solenoid.	B. Replace gate solenoid.
	C. Defective agitator motor.	C. Replace agitator motor.
GATE DOES NOT OPEN. AGITATOR DOES NOT TURN.	A. No power.	A. Restore power.
	B. Bent depressor plate (does not actuate switch).	B. Replace depressor plate.
	C. Defective dispensing switch.	C. Replace dispensing switch.
GATE DOES NOT OPEN OR IS SLUGGISH. AGITATOR TURNS.	A. Defective gate solenoid.	A. Replace gate solenoid.
	B. Weak gate spring.	B. Replace gate spring.
	C. Excessive pressure against gate slide.	C. Reduce pressure against gate slide.
GATE OPENS. AGITATOR DOES NOT TURN.	A. Ice solidified in hopper.	A. Break up ice in hopper.
	B. Defective agitator motor.	B. Replace agitator motor.
	C. Defective capacitor (D90 only).	C. Replace capacitor.
ICE DISPENSES CONTINUOUSLY.	A. Stuck or bent depressor plate (does not release switch)	A. Replace depressor plate.
	B. Defective dispensing switch.	B. Replace dispensing switch.
	C. Improper switch installation.	C. Properly install switch.
SLUSHY ICE. WATER IN HOPPER.	A. Blocked drain.	A. Open drain.
	B. Unit not level.	B. Level unit.
	C. Poor ice quality due to water quality or ice maker problems.	C. Clean hopper, then replace ice.

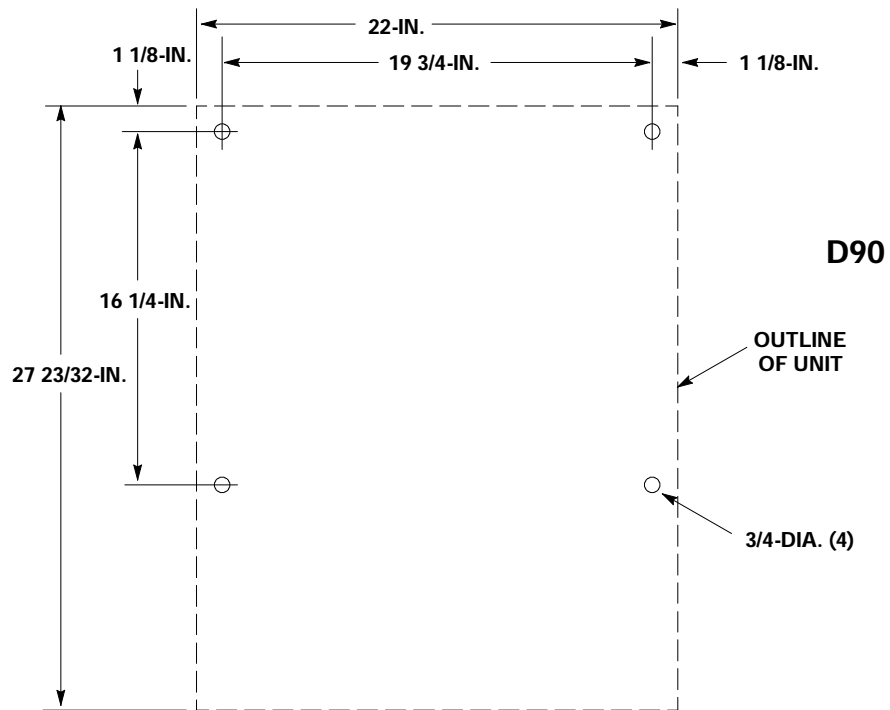
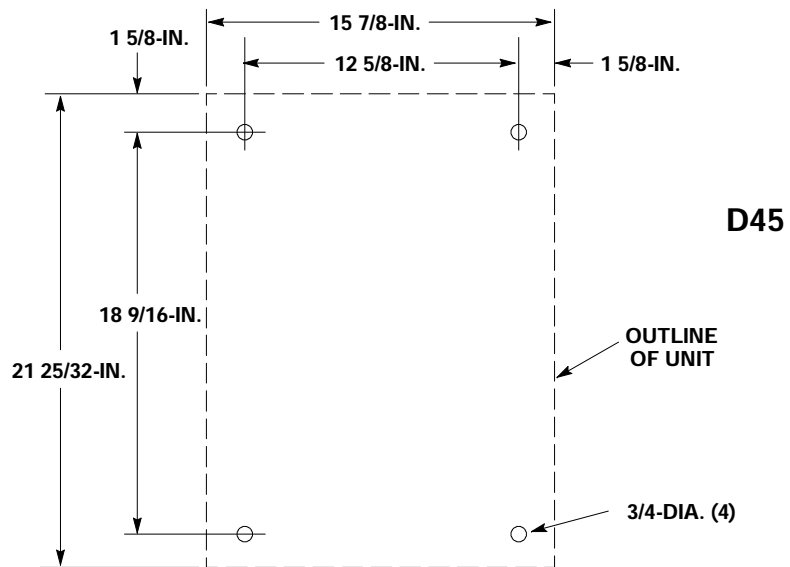
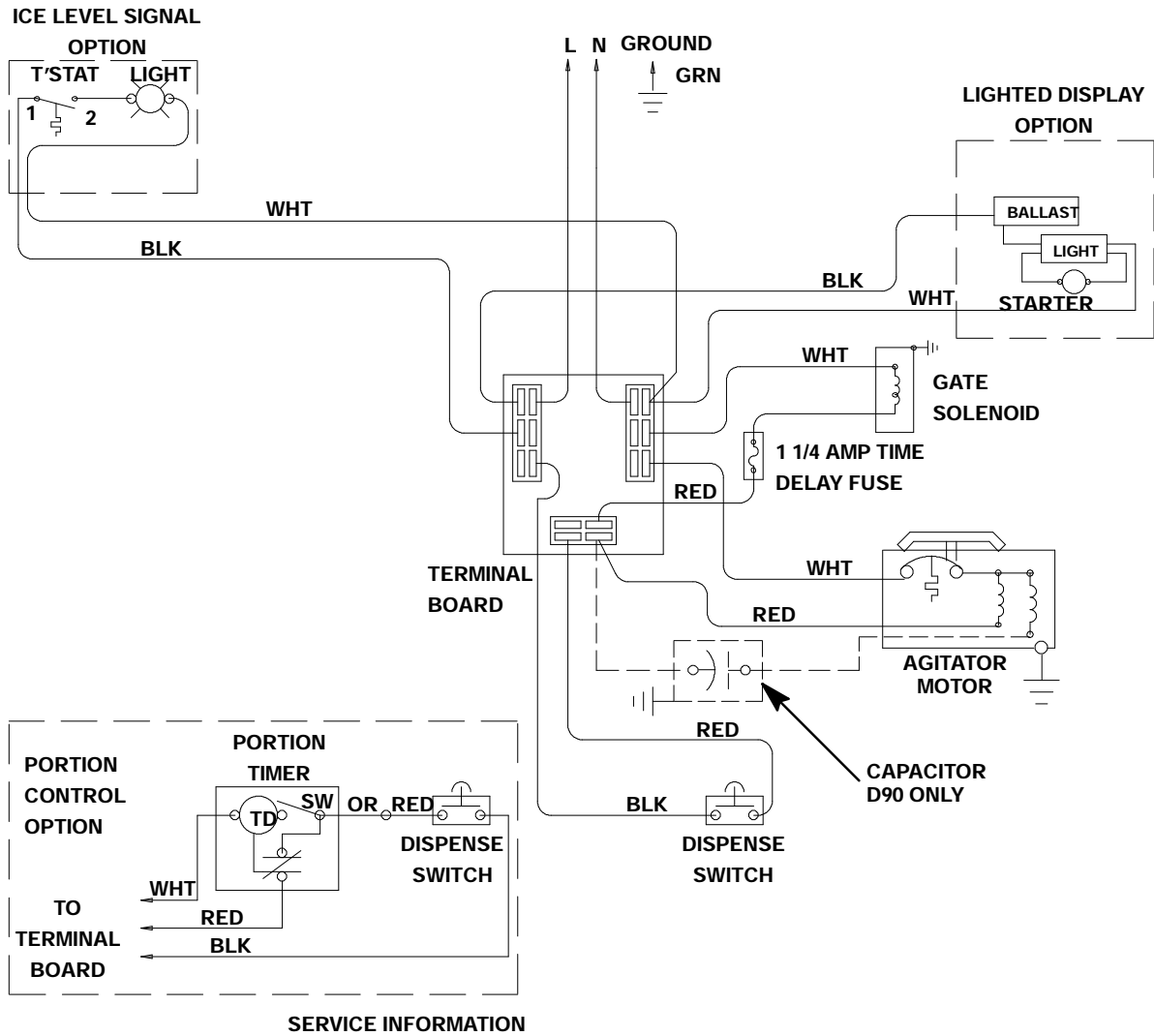
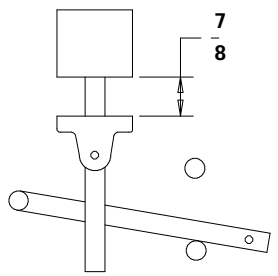


FIGURE 1. MOUNTING TEMPLATES



DANGER! ELECTRIC SHOCK HAZARD. DISCONNECT POWER BEFORE SERVICING UNIT.



SOLENOID ADJUSTMENT

WHEN REPLACING SOLENOID, ADJUST TO 7/8 AS SHOWN BEFORE TIGHTENING MOUNTING SCREWS.

FIGURE 2. WIRING DIAGRAM

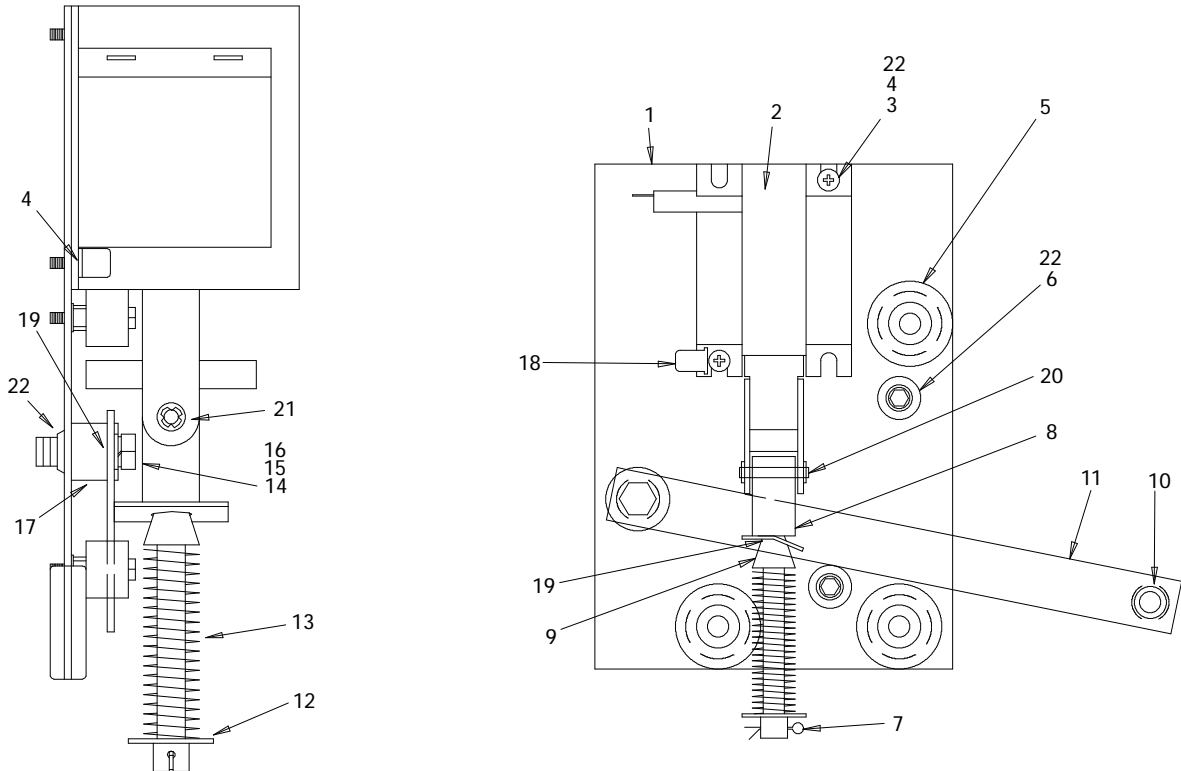
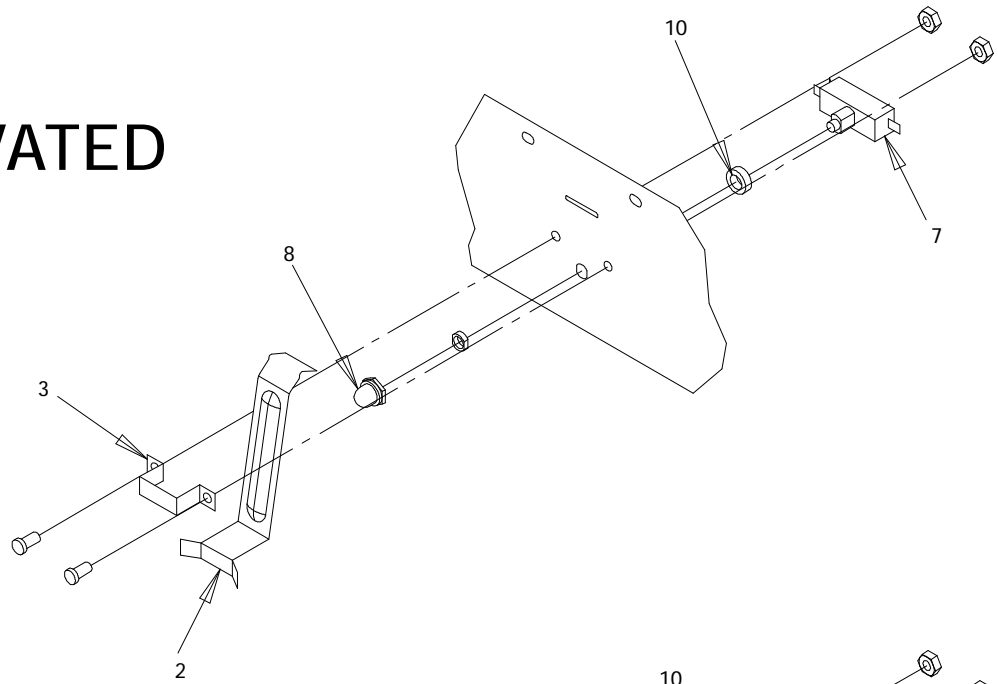


FIGURE 3. SOLENOID ASSEMBLY - EXPLODED VIEW AND PARTS LIST

Index No.	Part No.	Qty.	Name
1	21493	1	Solenoid Mounting Plate
2#	31551	1	Solenoid Service Kit
3	70171	2	8-32 x 3/8 Phil Tr HD Screw
4	70121	2	No. 8 Lockwasher
5	50752	3	Isolator
6*	50789	2	Bumper Assembly
7*	70423	1	Cotter Pin
8*	10080	1	Gate Lift Rod
9	10081	1	Gate Lift Rod Bushing
10	50754	1	Gate Arm Bearing
11	21492	1	Gate Lift Arm
12	70043	1	Flatwasher
13*	70422	1	Spring
14	70263	1	1/4-20 x 3/4 Hex Hd Screw
15	70048	1	1/4 Lockwasher
16	70066	1	1/4 Flatwasher
17	10077	1	Pivot Bearing
18	30227	1	1/4 Quick Connect Tab
19	50305	--	Lubricant
20*	21592	1	Solenoid Linkage Pin
21*	70433	2	Retainer Ring
22	51088	--	Loctite
--*	70438	--	Rebuilding Kit

**NOTE: * Parts supplied with rebuilding kit.
31551 solenoid supplied with items 20 & 21.**

CUP ACTIVATED



PUSH LEVER

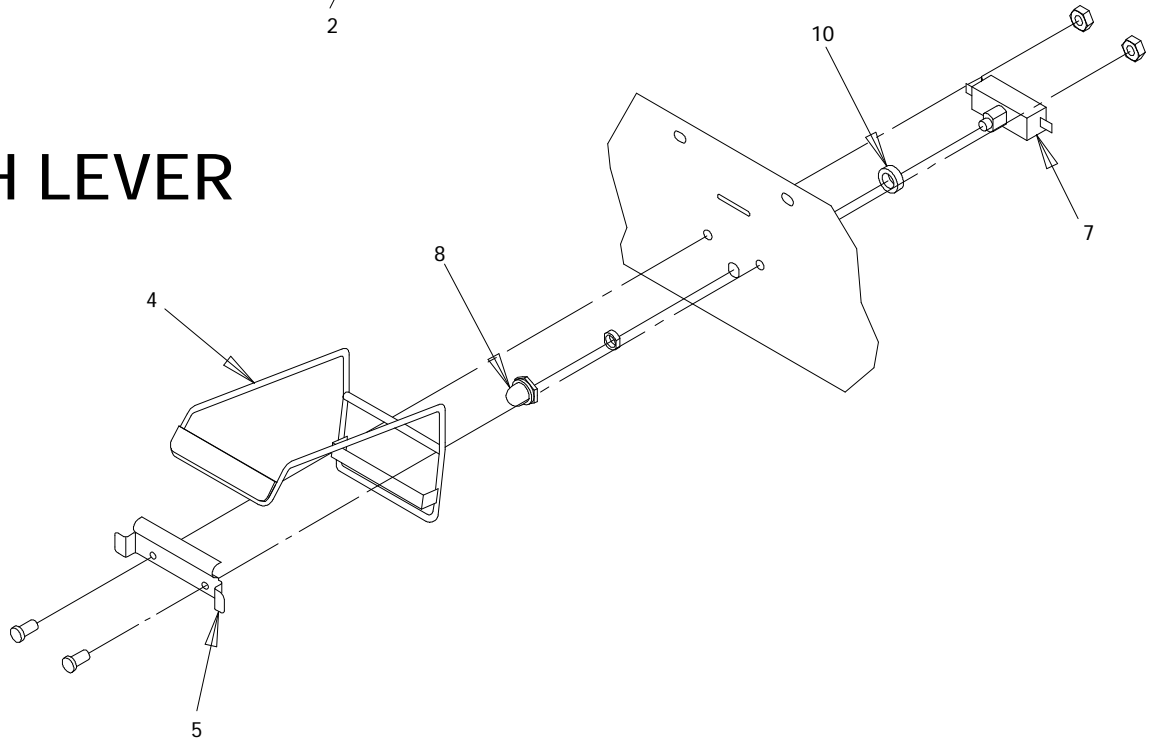


FIGURE 4. DISPENSING LEVERS AND SWITCHES

PARTS LIST

Item	Description	Part No. D45	Part No. D90
1	Gate Slide	214910	214910
2	Depressor, Cup Activated	215150	215150
3	Depressor Retainer (for 21515)	22644	22644
4	Depressor Push Lever	27126	27126
5	Depressor Retainer (for 27126)	27107	27107
6	Agitator	21517	21629
7	Dispense Switch	30895	30895
8	Switch Boot	31007	31007
9	Switch Spacer	70847	70847
10	Foam Shield	23062	23062
11	Agitator Motor	31106-1	31112-1
12	Motor Shaft Seal	50454	50454
13	Motor Gasket	50481	50481
14	Lid	50748	50791
15	Sink	50750	50793
16	Ice Chute, Back Section	53015	53015
17	Ice Chute Cover	53016	53016
18	Gate Gasket	51891	51891
19	Sink Grill	70426	70441
20	Leg	70419	70419
21	Cleaning Label	90295	90295
22	Wiring Diagram	90615	90788
23	Front Label	91559	91560
24	Capacitor	-----	30774
25	Solenoid Assembly (see page 7)	31093	31093
26	Rebuilding Kit (see page 7)	70438	70438



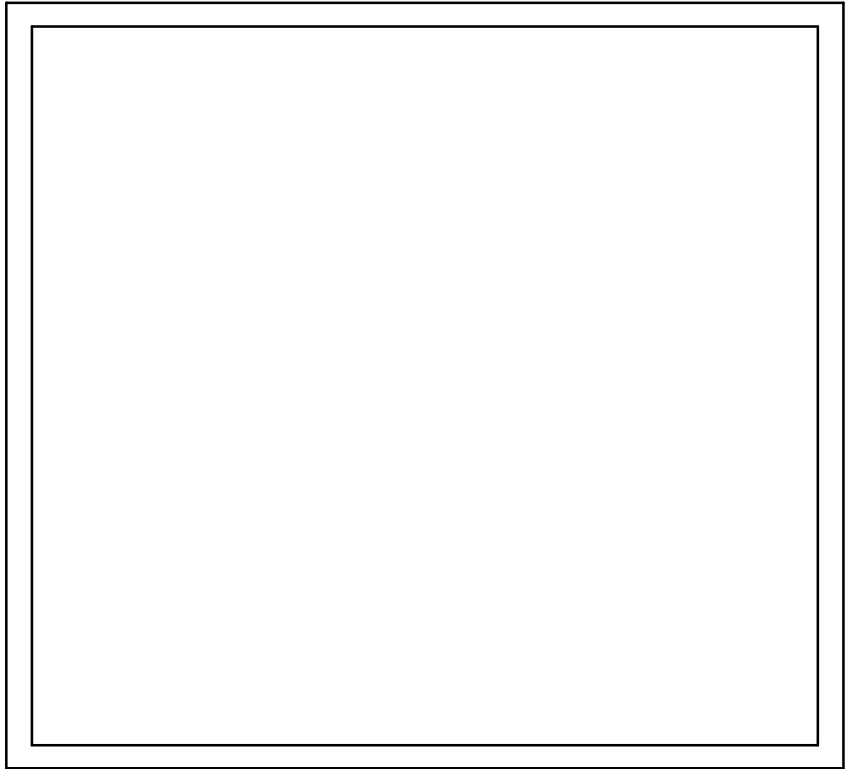
IMI CORNELIUS INC.
ONE CORNELIUS PLACE
ANOKA, MN. 55303-6234
TELEPHONE (800) 238-3600
FACSIMILE (612) 422-3232

WARRANTY

IMI Cornelius Inc. warrants that all equipment and parts are free from defects in material and workmanship under normal use and service. For a copy of the warranty applicable to your Cornelius product, in your country, please write, Fax or telephone the IMI Cornelius office nearest you. Please provide the equipment model number and the date of purchase.

IMI Cornelius Offices

AUSTRALIA ● P.O. 210, ● RIVERWOOD, ● NSW 2210, AUSTRALIA ● (61) 2 533 3122 ● FAX (61) 2 534 2166
AUSTRIA ● AM LANGEN FELDE 32 ● A-1222 ● VIENNA, AUSTRIA ● (43) 1 233 520 ● FAX (43) 1-2335-2930
BELGIUM ● BOSKAPELLEI 122 ● B-2930 BRAASCHAAT, BELGIUM ● (32) 3 664 0552 ● FAX (32) 3 665 2307
BRAZIL ● RUA ITAOCARA 97 ● TOMAS COELHO ● RIO DE JANEIRO, BRAZIL ● (55) 21 591 7150 ● FAX (55) 21 593 1829
ENGLAND ● TYTHING ROAD ALCESTER ● WARWICKSHIRE, B49 6 EU, ENGLAND ● (44) 789 763 101 ● FAX (44) 789 763 644
FRANCE ● 71 ROUTE DE ST. DENIS ● F-95170 DEUIL LA BARRE ● PARIS, FRANCE ● (33) 1 34 28 6200 ● FAX (33) 1 34 28 6201
GERMANY ● CARL LEVERKUS STRASSE 15 ● D-4018 LANGENFELD, WEST GERMANY ● (49) 2173 7930 ● FAX (49) 2173 77 438
GREECE ● 488 MESSOGION AVENUE ● AGIA PARASKEVI ● 153 42 ● ATHENS, GREECE ● (30) 1 600 1073 ● FAX (30) 1 601 2491
HONG KONG ● 1104 TAIKOTSUI CENTRE ● 11-15 KOK CHEUNG ST ● TAIKOKTSUE, HONG KONG ● (852) 789 9882 ● FAX (852) 391 6222
ITALY ● VIA PELLIZZARI 11 ● 1-20059 ● VIMARCATI, ITALY ● (39) 39 608 0817 ● FAX (39) 39 608 0814
NEW ZEALAND ● 20 LANSFORD CRES. ● P.O. BOX 19-044 AVONDALE ● AUCKLAND 7, NEW ZEALAND ● (64) 9 8200 357 ● FAX (64) 9 8200 361
SINGAPORE ● 16 TUAS STREET ● SINGAPORE 2263 ● (65) 862 5542 ● FAX (65) 862 5604
SPAIN ● POLIGONO INDUSTRIAL ● RIERA DEL FONOLLAR ● E-08830 SANT BOI DE LLOBREGAT ● BARCELONA, SPAIN ● (34) 3 640 2839 ● FAX (34) 3 654 3379
USA ● ONE CORNELIUS PLACE ● ANOKA, MINNESOTA ● (612) 421-6120 ● FAX (612) 422-3255



REMCOR[®]

CORPORATE HEADQUARTERS:

Remcor Incorporated
500 Regency Drive
Glendale Heights, IL 60139