

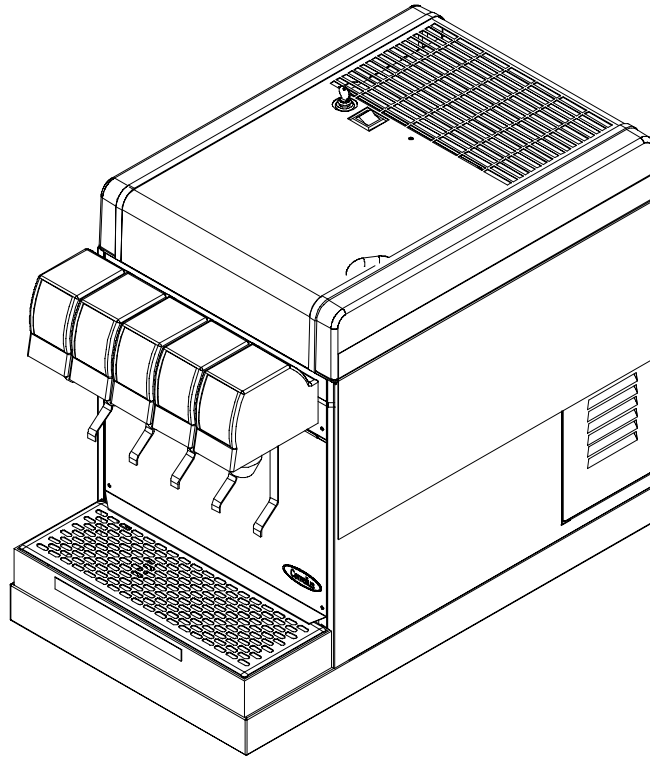


ILLUSTRATED PARTS LIST

VANTAGE POST-MIX DISPENSER

PART NO.

561600127
561600128
561600129
561600130
561600142
561600143
561600144
561600145
561600146
561600147
561600148
561600149
561600150
561600151
561600152
561600153
561600154
561600155
561600156
561600157
561600158
561600159
561600160
561600161
561600162
561600163
561600164
561600165
561600166
561600167





ILLUSTRATED PARTS LIST

VANTAGE POST-MIX DISPENSER

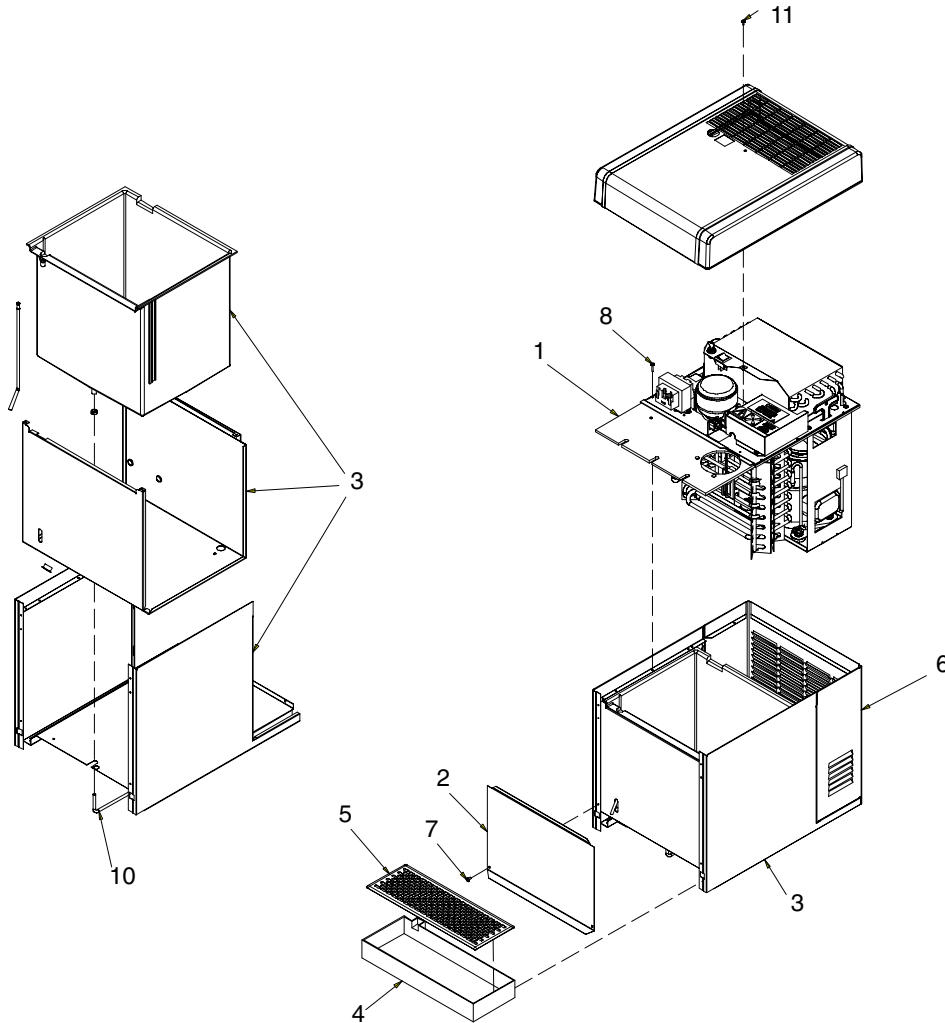


FIGURE 1. OUTSIDE COMPONENTS

Item No.	Part No.	Name
1	560005043 560005370 560007522	Chassis Rfg 120V 60Hz Chassis Rfg 230V 60Hz Chassis Rfg 230V 50Hz (See Figure 3)
2	4504	Panel Accs
3	560007334	Tank Asy
4	4537	Drip Tray
5	4547	Cup Rest

Item No.	Part No.	Name
6	560007335	Wrap Rear S. Vantage
7	188117000	Screw SM 8 TRPH 12
8	200468012	Screw SM 8 TRPH 24
9*	560005375	Harn Wire 5-Flavor
10	4652	Tube Vinyl .375 I.D. (Sold by Foot)
11	186150000	Screw MA 8-32 PAPH 12
12*	560006131	Platform 2"

*= not shown



ILLUSTRATED PARTS LIST

VANTAGE POST-MIX DISPENSER

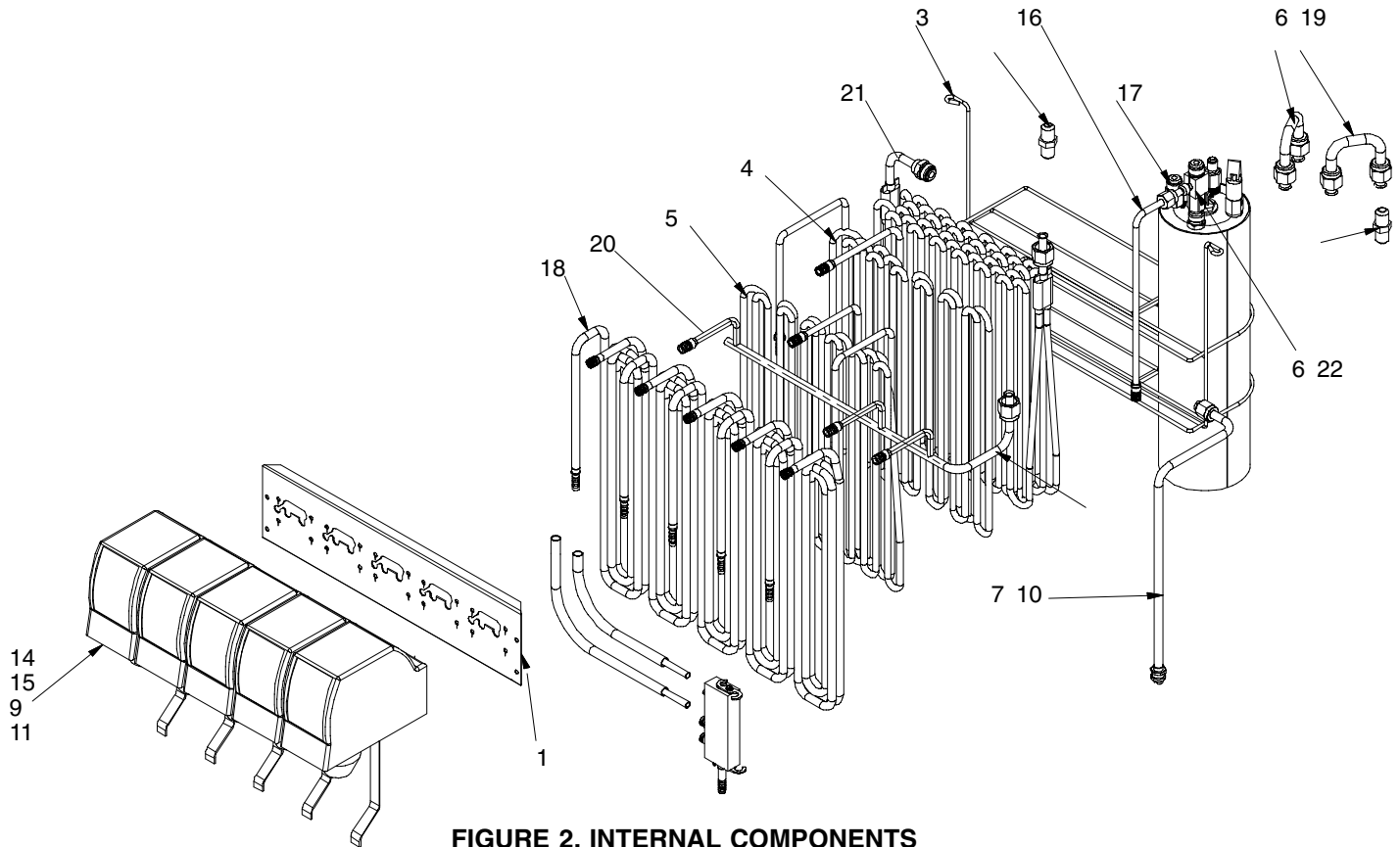


FIGURE 2. INTERNAL COMPONENTS

Item No.	Part No.	Name
1	560007514 560007327	Panel Val 4-Flavor Panel Val 5-Flavor
2	720601327	Water Tube In S Vantage Remote
3	560007307	Retainer Coil Integral and Remote
4	560007418	Coil Wtr #2 Vantage
5	560007325	Coil Wtr #1 Vantage
6	311304000	Gasket 3/8 Male Flare
7	560007332	Line St Coils to Check Valve
8	560007505	Tube Water In Vantage Remote
9	1919	Block Mtg Assy UF-1 (See Manual No. 315222003)
10	178025200	Gasket 5/16 Male Flare Integral
11	188117000	Screw SM 8 TRPH 12
12	200468012	Screw SM 8 TRPH 24

Item No.	Part No.	Name
13	317015000	O-Ring .239 I.D.
14		Dispensing Valve Assy UF-1
15	560003072	Screw TR 10-32 PAPH 32
16	560007337	Coil Water Outlet S Vantage
17	850000549	Carb Assy Integral (See Figure 9)
18	4629	Coil Syr Assy
19	720601328	Tube Water In S Vantage
20	620407754 620407755 620407756	Manifold Wtr 4-Flavor Manifold Wtr 5-Flavor Manifold Wtr 5-Flavor Juice
21	720302102	Coil Wtr Assy Integral and Remote
22	77068200	Fitting T-SWV 5/8-18F



ILLUSTRATED PARTS LIST

VANTAGE POST-MIX DISPENSER

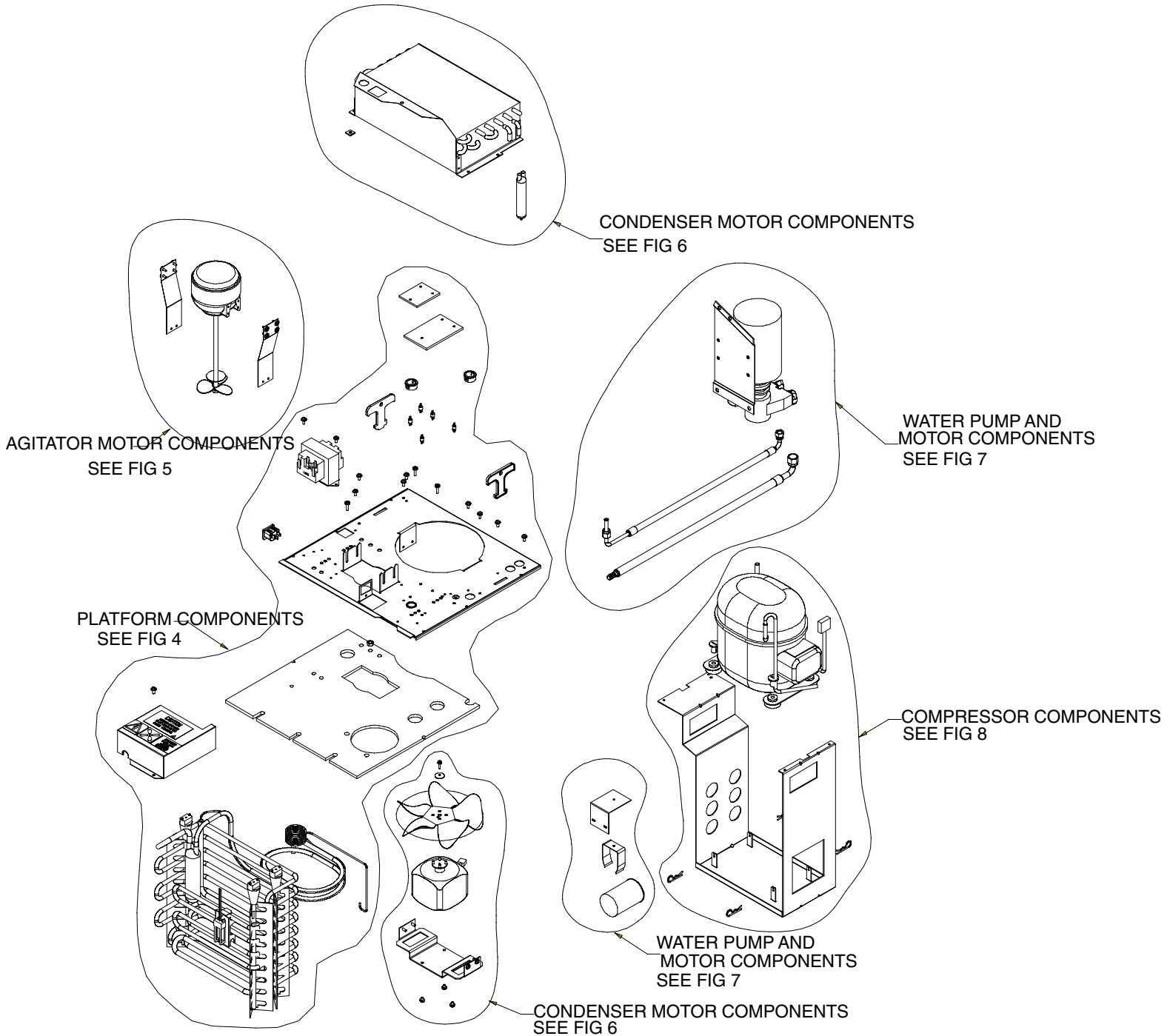


FIGURE 3. VANTAGE POST-MIX REFRIGERATION ASSEMBLY



ILLUSTRATED PARTS LIST

VANTAGE POST-MIX DISPENSER

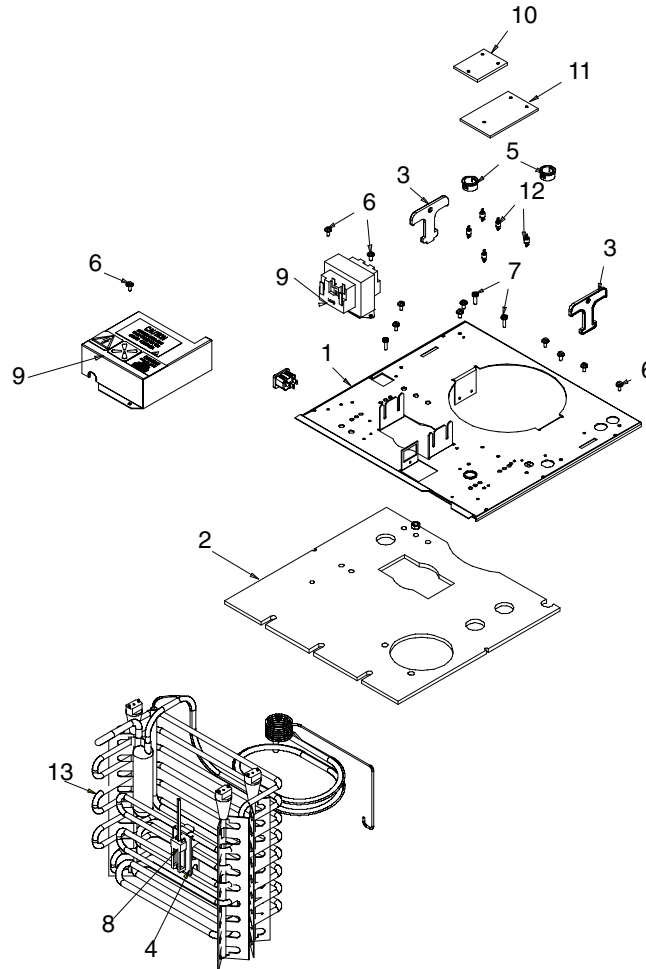


FIGURE 4. VANTAGE PLATFORM COMPONENTS

Item No.	Part No.	Name
23*	560005541	Cover Control
1	560004683	Platform Rfg
2	560002024 560002074	Insulation Platform Rfg Integral Insulation Platform Rfg Remote
3	4556	Handle
4	560001470	Holder Ice Bank Probe
5	4624	Bushing Snap
6	319941000	Screw TR 8-32 HXWS 12
7	0010	Screw TT 10-14 PAPH 20

Item No.	Part No.	Name
8	2598	Probe Assy
9	449999999 449999996 560002114	Transfmr 120-24V 50HZ 80VA Transfmr 208/240-24V 60HZ 80VA Transfmr 230-24V 50HZ 80VA
10	4626	Board Circ Integral
11	4614 4615 560002119	Board Circ Ice Bank 115V 60HZ Board Circ Ice Bank 230V 60HZ Board Circ Ice Bank 230V 50HZ
12	4608	Support P.C. Board
13	560001893	Evap Assy

*= not shown



ILLUSTRATED PARTS LIST

VANTAGE POST-MIX DISPENSER

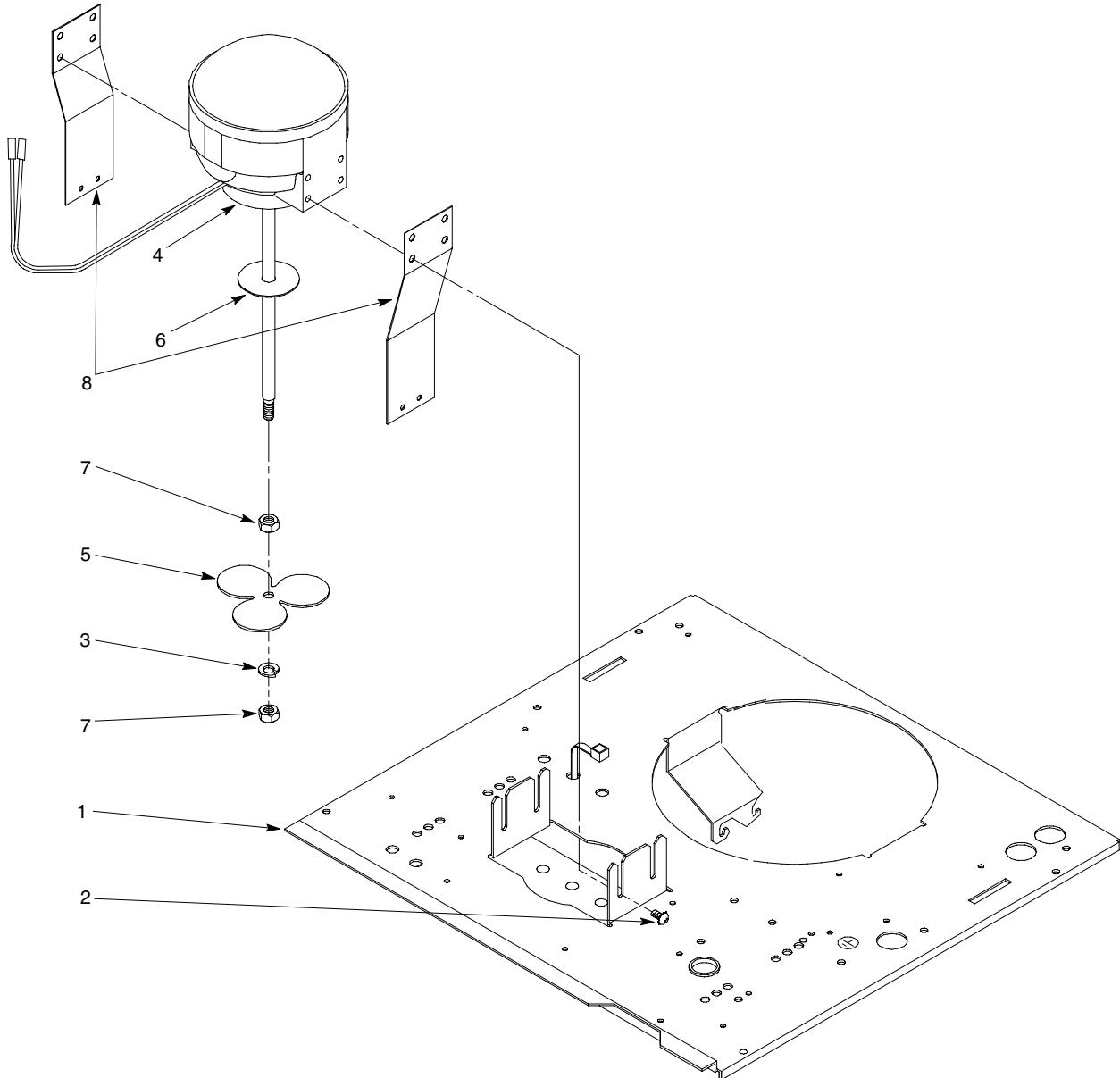


FIGURE 5. VANTAGE AGITATOR MOTOR COMPONENTS

Item No.	Part No.	Name
1	560004683	Platform Rfg
2	186154000	Screw SE 8-36 PAPH 12
3	186294000	Washer Lk .262 I.D.
4	314072000 314150000	Motor Agit 115V 60HZ Motor Agit 230V 50/60HZ

Item No.	Part No.	Name
5	186216000	Blade Agit
6	186599000	Slinger Water
7	186116000	Nut Hex 1/4-20
8	319856004	Plate Heat Transfer



ILLUSTRATED PARTS LIST

VANTAGE POST-MIX DISPENSER

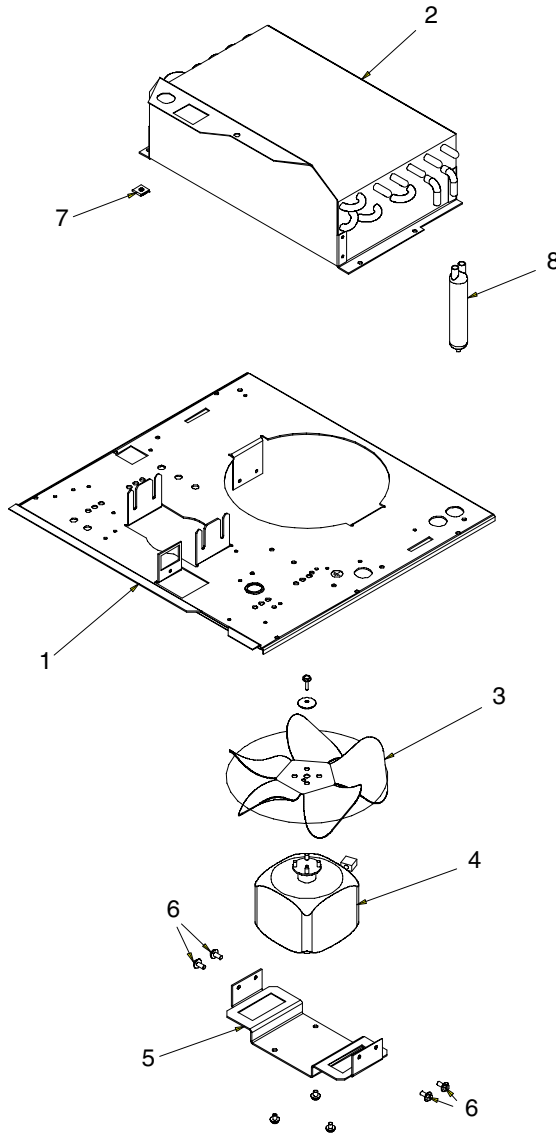


FIGURE 6. CONDENSER MOTOR COMPONENTS

Item No.	Part No.	Name
1	560004683	Platform Rfg
2	560004377	Cond Coil
3	560001885	Fan 5-Blade
4	560003439	Motor Fan 9W 120V 60HZ
	560003440	Motor Fan 9W 230V 50/60HZ

Item No.	Part No.	Name
5	560004677	Bracket Motor Fan
6	319941000	Screw TR 8-32 HXWS 12
7	2737	Nut Speed No. 8-32
8	2601	Dryer



ILLUSTRATED PARTS LIST

VANTAGE POST-MIX DISPENSER

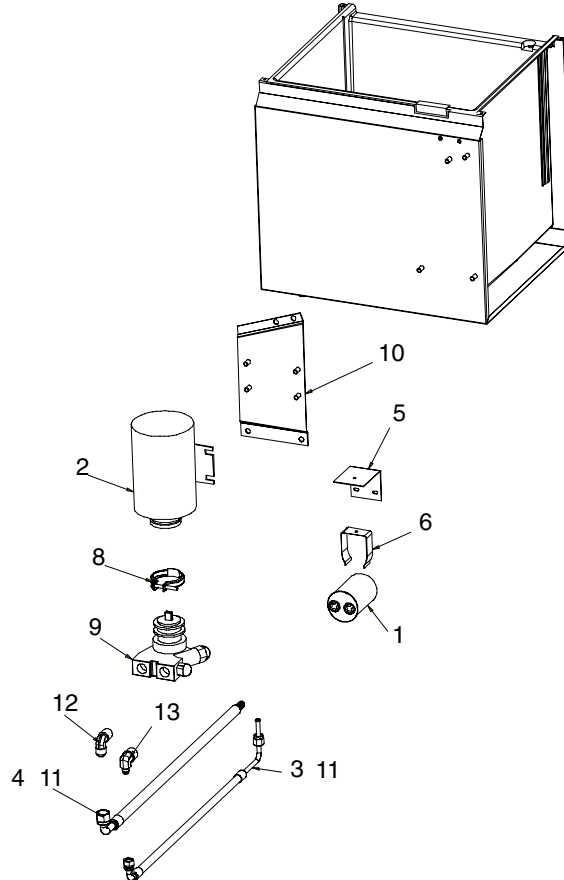


FIGURE 7. WATER PUMP AND MOTOR COMPONENTS

Item No.	Part No.	Name
1	2792	Capacitor Run 30 MFD
2	2170 3149	Motor Pump 120V 60Hz Integral Motor Pump 1/4 230V 50/60Hz 1425 RPM
3	560005044	Line Flex Pump to Check Valve
4	560007501	Tube Conn. 375 Flex 18"
5	560004732	Bracket Capacitor
6	2477	Holder Capacitor

Item No.	Part No.	Name
7*	319941000	Screw TR 8-32 HXWS
8	187483000	Clamp Pump and Motor Integral
9	312996000	Pump Water 100GPH Integral
10	560004711	Bracket Motor Pump
11	311304000	Gasket 3/8 Male Flare Integral
12	187502000	Fitg L 3/8-MPT x 7/16-20 Integral
13	361003200	Fitg L 3/8-MPT x 5/8-18 Integral

* = not shown



ILLUSTRATED PARTS LIST

VANTAGE POST-MIX DISPENSER

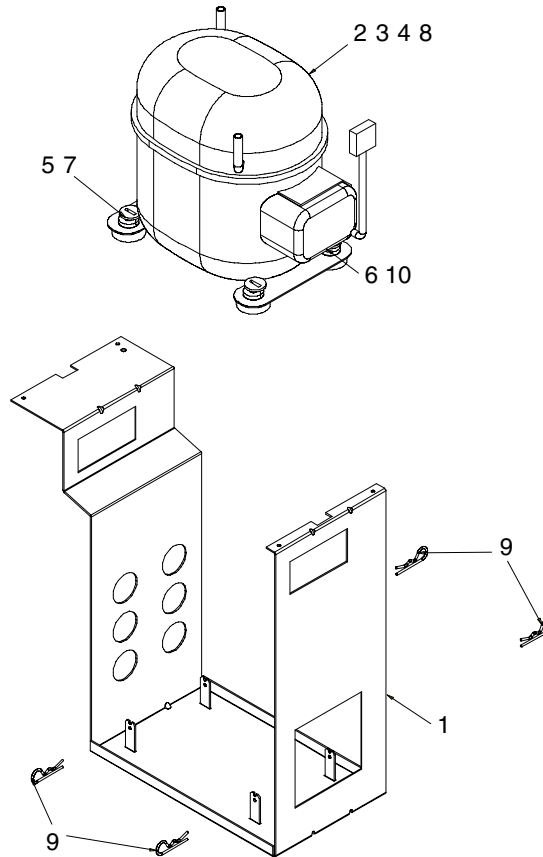


FIGURE 8. COMPRESSOR COMPONENTS

Item No.	Part No.	Name
1	560007640	Platform Compr
2	3648	Kit Comp 1/3H.P. 120V 60HZ
	3706	Kit Comp 1/3H.P. 220/240V 50HZ
	3707	Kit Comp 1/3H.P. 230V 60HZ
3	3128	Relay Start 120V 60HZ
	3143	Relay Start 230V 50HZ
4	3127	Overld 120V 60HZ
	3142	Overld 220/240V 50HZ
5	189723000	Grommet Compr
6	187638000	Cover Term
7	317781000	Bushing Split
8	187637000	Spring Overload
9	398034400	Pin Hitch
10	187636000	Strap Bale

Item No.	Part No.	Name
11*	2654	Cord Extu 120/60
	4344	Cord Extu 230/50/60
12*	319941000	Screw TR 8-32 HXWS 12
13*	309645000	Swt 120V 60HZ
14*	2793	Capac Run 230V 50HZ Integral
	2792	Capac Run 120V 60HZ, Procon
15*	560002592	Box Capac 230V 50HZ Integral and 120V 60HZ Procon
16*	2477	Holder Capacitor 230V 50HZ Integral and 120V 60HZ Procon
17*	360668000	Bushing Snap 230V50HZ Integral

* = not shown



ILLUSTRATED PARTS LIST

VANTAGE POST-MIX DISPENSER

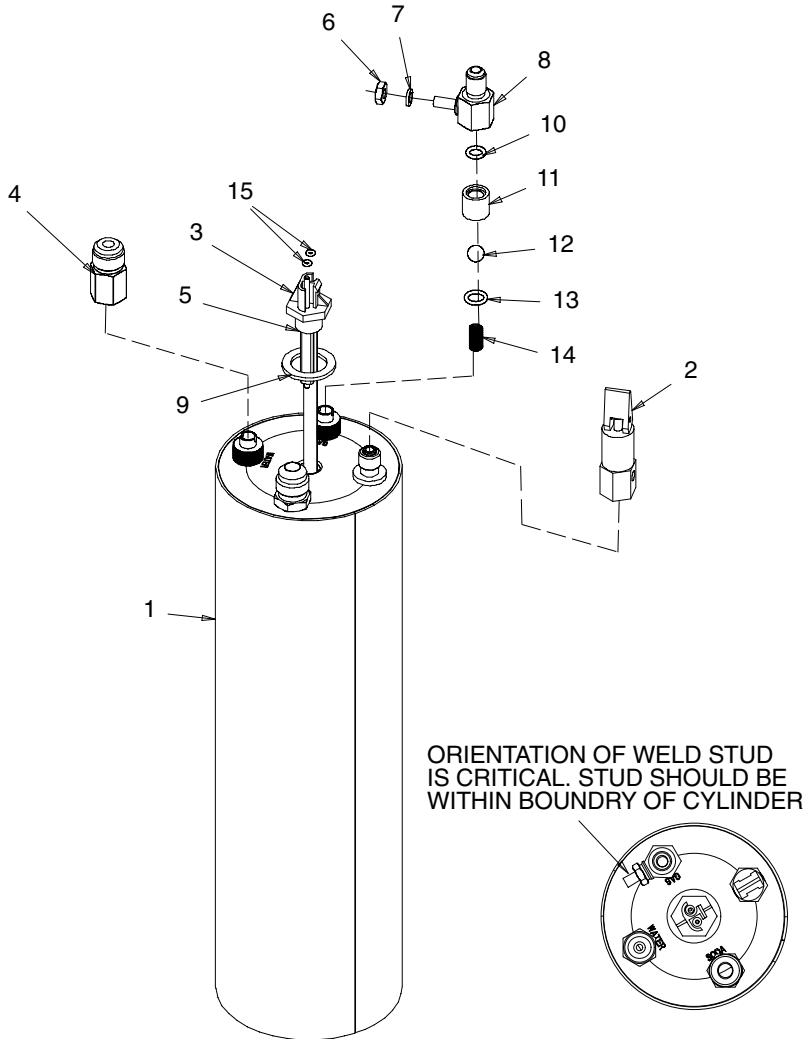


FIGURE 9. CARBONATOR ASSEMBLY

Item No.	Part No.	Name
	850000549	Carb Assy
1	560007415	Tank Carb 3.5 x 12
2	71860230	Valve Pres Relief
3	710660001	Prob Assy Insert
4	65267001	Valve Double Check Assy
5	31525007	O-ring
6	398024400	Nut Hex 10-32
7	60011038	Washer

Item No.	Part No.	Name
8	560006103	Valve Check Body
9	560006127	Plate Carb
10	398033002	O-ring
11	64686	Sleeve SS Check Valve
12	64560	Ball .3125 SS
13	31525012	O-ring
14	64678	Spring
15	750300261	O-ring



ILLUSTRATED PARTS LIST

Item No.	Part No.	Name
	560000108	Tube Prod .265 I.D.
1	174478000	Tube .265 I.D. (Sold by the Foot)
2	176000000	Ferrule .500 I.D.
3	176017000	Nut Swiv 7/16-20
4	77010400	Fitg Nipl .265 I.D.

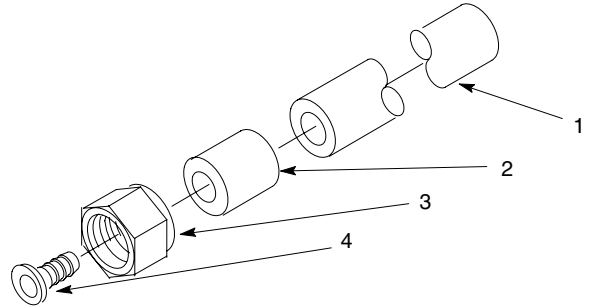


FIGURE 10. TUBE ASSEMBLY