



IMI CORNELIUS INC.
One Cornelius Place
Anoka, MN. 55303-6234
Telephone 1-800-238-3600
Facsimile 1-800-258-0255

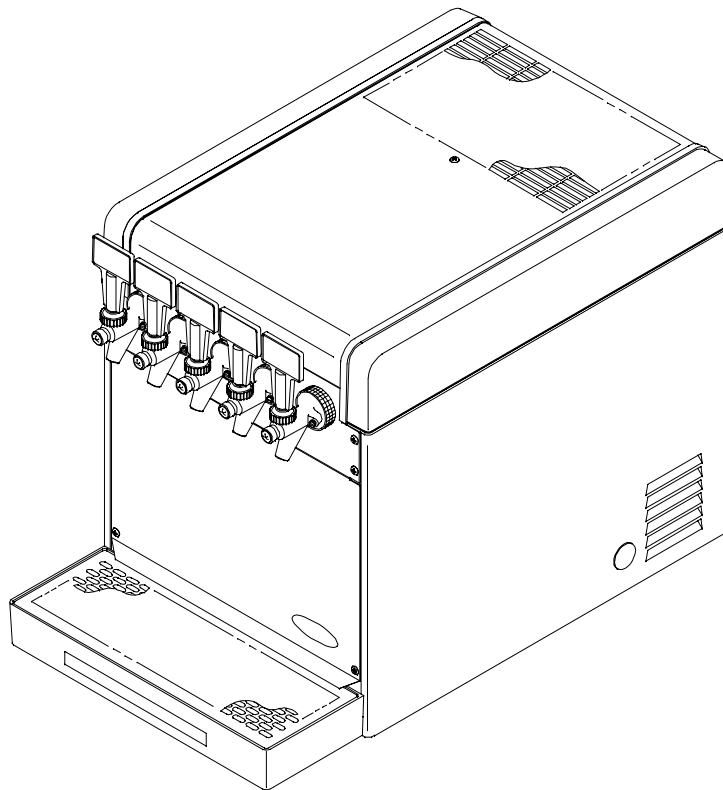
www.cornelius.com

ILLUSTRATED PARTS LIST

VANTAGE PRE-MIX DISPENSER

UNIT PART NO.

2816041xx
2816051xx
4816041xx
4816051xx
4817041xx
4817051xx





IMI CORNELIUS INC.
 One Cornelius Place
 Anoka, MN. 55303-6234
 Telephone 1-800-238-3600
 Facsimile 1-800-258-0255

www.cornelius.com

ILLUSTRATED PARTS LIST

VANTAGE PRE-MIX DISPENSER

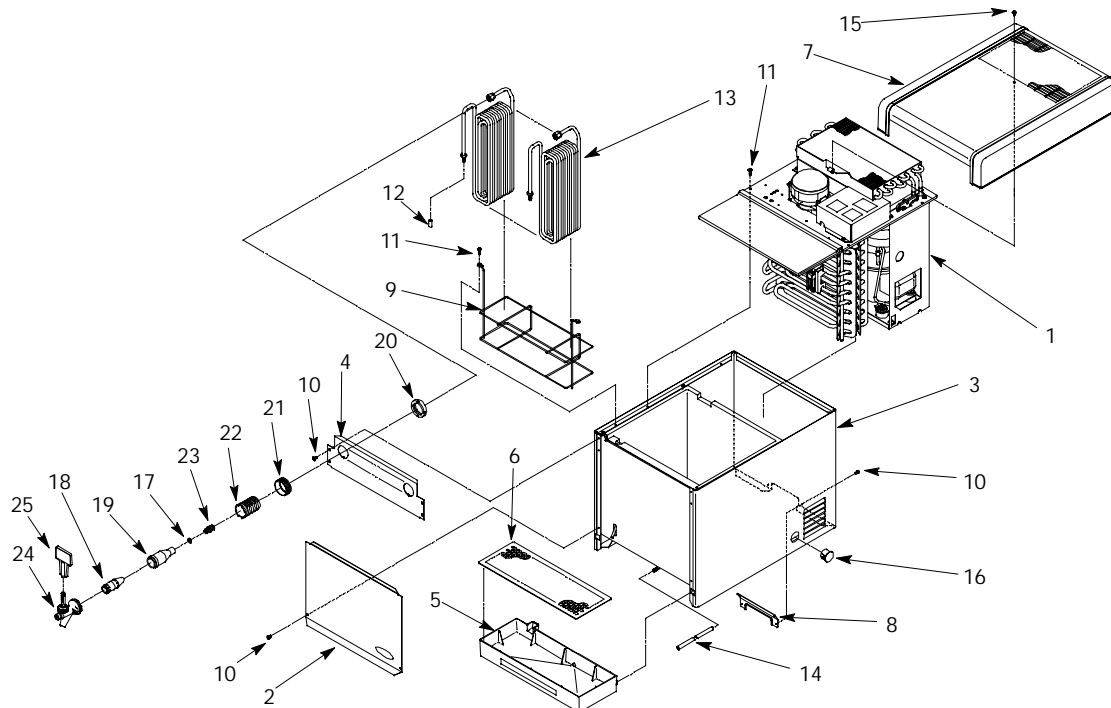


FIGURE 1. VANTAGE PRE-MIX ASSEMBLY

Item No.	Part No.	Name
1	560004707	Chassis Rfg 120V 60HZ (See Figure 2)
	560004708	Chassis Rfg 230V 50HZ (See Figure 2)
2	4504	Panel Accs
3	4563	Tank Assy
4	560001664	Panel Val 4-Flavor
	560001665	Panel Val 5-Flavor
5	4537	Drip Tray
6	4547	Cup Rest
7	560002050	Hood Assy
8	4557	Cover Access
9	560002049	Rack Coil
10	188117000	Screw SM 8 TRPH 12
11	200468012	Screw SM 8 TRPH 24

Item No.	Part No.	Name
12	317229000	Cap Coil
13	560001823	Coil Prod
14	4652	Tube Vnyl .250 I.D. x 24"
15	186150000	Screw MA 8-32 PAPH 12
16	5060	Plug Butn 230/240V 50/60HZ
17	150058000	O-Ring .301 I.D.
18	150095000	Compensator
19	150099000	Shank 3-39/64 Long
20	150150000	Nut Shank
21	150199000	Nut Cplg 1 5/8-12
22	150200007	Sleeve End Shank
23	150807200	Fitg Stght
24	151202039	Val Hd (See Figure 3)
25	151741039	Knob



IMI CORNELIUS INC.
 One Cornelius Place
 Anoka, MN. 55303-6234
 Telephone 1-800-238-3600
 Facsimile 1-800-258-0255

www.cornelius.com

ILLUSTRATED PARTS LIST

VANTAGE PRE-MIX DISPENSER

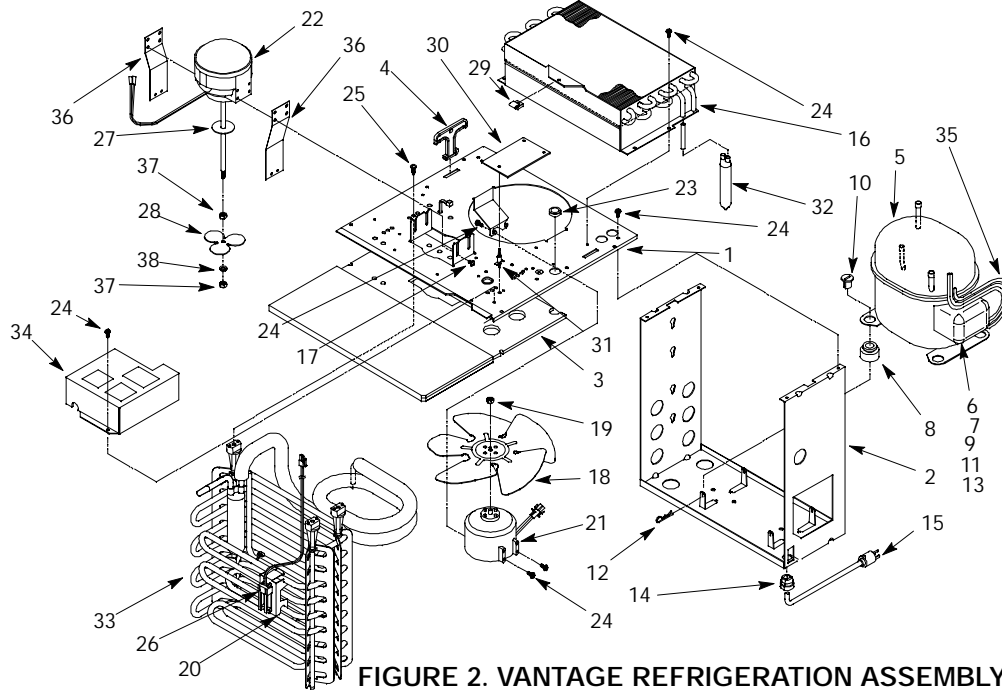


FIGURE 2. VANTAGE REFRIGERATION ASSEMBLY

Item No.	Part No.	Name
1	560001892	Platform Rfg
2	4513	Platform Compr
3	560002074	Insulation Platform
4	4556	Handle
5	3648	Kit Comp 1/3HP 120V 60HZ
	3707	Kit Comp 1/3HP 230V 60HZ
	3706	Kit Comp 1/3HP 230V 50HZ
6	3128	Relay Start 1/3HP 120V 60HZ
	3143	Relay Start 1/3HP 230V 50HZ
7	3127	Overld Comp 1/3HP 120V 60HZ
	3142	Overld Comp 1/3HP 220/240V 50HZ
8	189723000	Grommet Compr
9	187638000	Cover Term
10	317781000	Bushing Split
11	187637000	Spring Overload
12	398034400	Pin Hitch
13	187636000	Strap Bale
14	395098000	Strain Relief
15	4915	Cord Serv 120V 60HZ
	560000105	Cord Serv 220/230V 50/60HZ
16	4521	Cond Coil
17	186154000	Screw SE 8-36 PAPH 12
18	560001885	Fan 5-Blade
19	200498003	Nut Hex 8-32

Item No.	Part No.	Name
20	560001470	Holder Ice Bank Probe
21	3453	Motor Fan 9W 120V 60HZ
	3452	Motor Fan 9W 220/230V 50/60HZ
22	314072000	Motor Agit 15W 120V 60HZ
	314150000	Motor Agit 11W 220/230V 50/60HZ
23	4624	Bushing Snap
24	319941000	Screw TR 8-32 HXWS 12
25	0010	Screw TT 10-14 PAPH PAPH 20
26	2598	Probe Assy Ice Bank
27	186599000	Slinger Water
28	186216000	Blade Agit 3-Blade
29	2737	Nut Speed 8-32
30	4614	Board Circ 120V 60HZ
	4615	Board Circ 230V 60HZ
	560002119	Board Circ 230V 50HZ
31	4608	Support PC Board
32	2601	Dryer
33	560001893	Evap Assy
34	4639	Cover Control Box
35	4645	Cord
36	319856004	Plate Heat Transfer
37	186116000	Nut Hex 1/4-20
38	186294000	Washer Lk .262 I.D.



IMI CORNELIUS INC.
 One Cornelius Place
 Anoka, MN. 55303-6234
 Telephone 1-800-238-3600
 Facsimile 1-800-258-0255

www.cornelius.com

ILLUSTRATED PARTS LIST

VANTAGE PRE-MIX DISPENSER

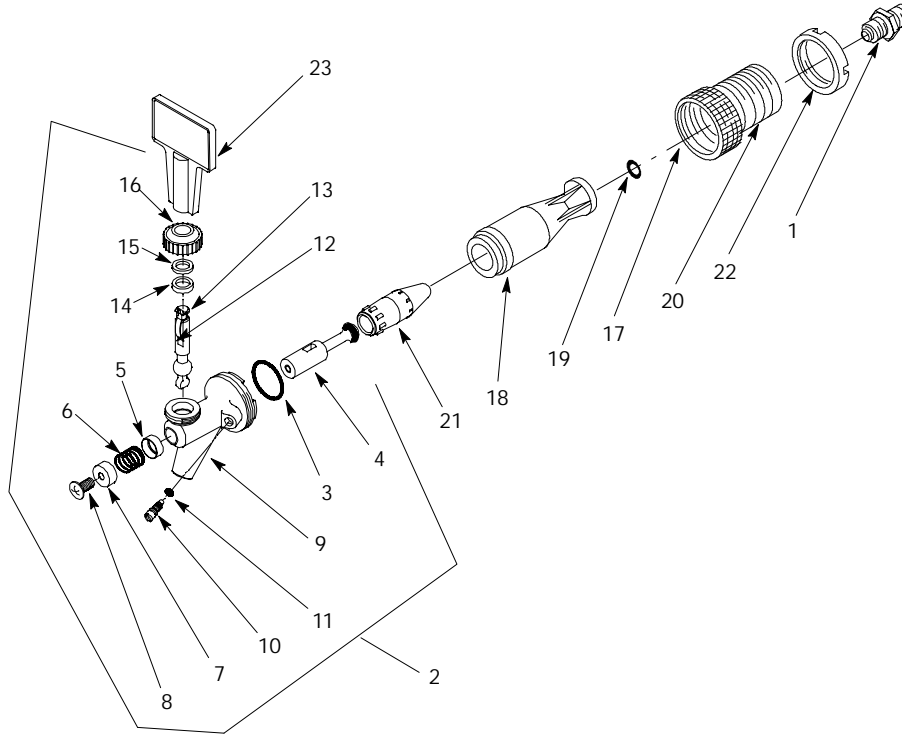


FIGURE 3. DISPENSING VALVE ASSEMBLY

Item No.	Part No.	Name
1	150807200	Fitg Stght 7/16-20 x 1/2-16
2	151202039	Val Hd Ass'y (Includes 3-16)
3	150065000	O-Ring 1.05 I.D.
4	150998000	Shaft Val
5	150141000	Sleeve Inner
6	150189000	Spring Shaft
7	150142000	Sleeve Outer
8	150907000	Screw MA 10-24 TRPH 10
9	151009039	Body Valve
10	150113000	Screw Compensator
11	140092000	O-Ring .114 I.D.

Item No.	Part No.	Name
12	151062000	Spring Knob Lever
13	151061000	Lever Knob Long
14	150055000	Washer Ball .390 I.D.
15	110015000	Washer Ball Friction
16	151742039	Bonnet, Knob
17	150199000	Nut Cplng 1 5/8-12
18	150099000	Shank 3-39/64"
19	150058000	O-Ring .301 I.D.
20	150200007	Sleeve End Shank
21	150095000	Compensator
22	150150000	Nut Shank
23	151741039	Knob



IMI CORNELIUS INC.
One Cornelius Place
Anoka, MN. 55303-6234
Telephone 1-800-238-3600
Facsimile 1-800-258-0255

www.cornelius.com

ILLUSTRATED PARTS LIST

VANTAGE PRE-MIX DISPENSER

